



2022

TECHNICAL
MANUAL

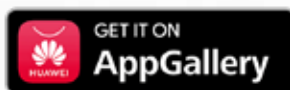
samet



samer partnersclub >

The Best Service for Our Partners

You can make all of your transactions 24/7
online from SAMET PARTNERS CLUB.



With SAMET PARTNERS CLUB;

7/24 ONLINE ORDER

In SAMET Partners Club, you can view all our products detailed, access to current price lists and create your orders quickly and safely.

CURRENT AND PREVIOUS ORDER TRACKING

You can review all your previous orders in detail, follow up the status of your current orders, delivery dates and shipment.



REVIEW CAMPAIGNS AND EARNINGS

You can follow the current campaigns here and review all your earnings in detail.

FINANCIAL OPERATIONS

You can view your account statement and invoices and make your reconciliations online.

Contents

HINGE SYSTEMS

Master Soft Close Hinge	Page 12-13
Master Black Soft Close Hinge	Page 14-15
Master Hinge	Page 16-17
Master Black Hinge	Page 18-19
Samet 165° Soft Close Hinge	Page 20-21
Samet 90° Soft Close Hinge / Samet 90° Hinge	Page 22-23
Samet 45° Soft Close Hinge / Samet 45° Hinge	Page 24-25
Star Track-3D Adjustable Hinge	Page 26-27
Star Track	Page 28-29
Star Track Push-Open Hinge without Spring	Page 30-31
Star Track Hinge 15°	Page 32-33
Star Track Hinge 30°	Page 34-35
Star Track Hinge -30°	Page 36-37
Star Track Hinge 45°	Page 38-39
Star Track Hinge -45°	Page 40-41
Star Track Hinge 90°	Page 42-43
165° Track Hinge System	Page 44-45
Star Track Hinge for Thick Doors / Cabinet Side Hinge	Page 46-47
Star Track Folding Door Hinge	Page 48-49
Star Hinge	Page 50-51
Star Push-Open Hinge without Spring	Page 52-53
Star Hinge 15°	Page 54-55
Star Hinge 30°	Page 56-57
Star Hinge -30°	Page 58-59
Star Hinge 45°	Page 60-61
Star Hinge -45°	Page 62-63
Star Hinge 90°	Page 64-65
Star Short Body Hinge 90°	Page 66-67
165° Hinge System	Page 68-69
Star Hinge for Thick Doors/Cabinet Side Hinge	Page 70-71
Star Folding Door Hinge	Page 72-73
Star Mini Hinge	Page 74-75
Star Mini Glass Door Hinge	Page 76-77
Star Mini Hinge for Glass Doors 15°	Page 78
Star Mini Hinge for Glass Doors 90°	Page 79
Shaped Bored Glass Door Hinge	Page 80
Short Type Hinge with Ball Catch for Non-Bored Glass Doors	Page 81
Hinge with Ball Catch for Non-Bored Glass Doors	Page 82
Decofix Aluminum Profile Master Soft Close Hinge	Page 83
Decofix Aluminum Profile Master Hinge	Page 84
Decofix Aluminum Profile Star Track Hinge	Page 85
Decofix Aluminum Profile Star Track Hinge 15°	Page 86
Decofix Aluminum Profile Star Track Hinge 30°	Page 87
Decofix Aluminum Profile Star Track Hinge -30°	Page 88
Decofix Aluminum Profile Star Track Hinge 45°	Page 89
Decofix Aluminum Profile Star Track Hinge -45°	Page 90
Decofix Aluminum Profile Star Track Hinge 90°	Page 91
Aluminum Profile Star Track Hinge	Page 92-93
Aluminum Profile Star Track Hinge 15°	Page 94-95
Aluminum Profile Star Track Hinge 30°	Page 96-97
Aluminum Profile Star Track Hinge -30°	Page 98-99
Aluminum Profile Star Track Hinge 45°	Page 100-101
Aluminum Profile Star Track Hinge -45°	Page 102

Aluminum Profile Star Track Hinge 90°	Page 103
Aluminum Narrow Profile Master Soft Close Hinge	Page 104-105
Aluminum Narrow Profile Master Hinge	Page 106-107
Aluminum Narrow Profile Star Track Hinge	Page 108-109
Aluminum Profile Star Hinge	Page 110-111
Aluminum Narrow Profile Star Hinge	Page 112-113
Aluminum Narrow Profile Star Hinge 15°	Page 114-115
Aluminum Narrow Profile Star Hinge 30°	Page 116-117
Aluminum Narrow Profile Star Hinge -30°	Page 118-119
Aluminum Narrow Profile Star Hinge 45°	Page 120-121
Aluminum Narrow Profile Star Hinge -45°	Page 122
Aluminum Narrow Profile Star Hinge 90°	Page 123
Master Track Adjustable Mounting Plate	Page 124
Master Black Track Adjustable Mounting Plate	Page 125
Master Track Mounting Plate	Page 126
Master/Star Track Mounting Plate - 4 Holes	Page 127
Master Black Mounting Plate - 4 Holes	Page 128
Master Track Mounting Plate - Horizontal	Page 129
Master Black Track Mounting Plate - Horizontal	Page 130
Star Track Adjustable Mounting Plate	Page 131
Star Track Adjustable Mounting Plate - Horizontal	Page 132
Star Track Mounting Plate	Page 133
Star Track Profile Mounting Plate	Page 134
Star Mounting Plate	Page 135
165° Track Mounting Plate	Page 136
165° Mounting Plate	Page 137
Star Short Body Hinge 90° Mounting Plate	Page 138
Star Mini Hinge Mounting Plate	Page 139
Glass Door Hinge Mounting Plate	Page 140
Plus Soft Close Mechanism	Page 141
Plus Soft Close, Push-Open Inside Cabinet Adaptor 37 mm	Page 142
Plus Soft Close, Push-Open Inside Cabinet Adaptor	Page 143
Push-Open Short Latch	Page 144
Push-Open Long Latch	Page 145
Push-Open Short Latch Adjustable Adaptor	Page 146
Push-Open Long Latch Adjustable Adaptor	Page 147
[+5°]-[-5°] Star Track and Star Hinge Distance	Page 148
[7,5 mm]-[17,5 mm] Star Track and Star Hinge Distance	Page 149
Hinge and Hinge Cup Decorative Cover	Page 150
Glass Hinge Decorative Cover	Page 151
Aluminium Frame Door Systems	Page 152-153
Assembly	Page 154-155
Dimension Charts and Symbols	Page 156-157-158-159

Contents

DRAWER SYSTEMS

SO CLASS 46 mm Full Extension Soft-Close Slide System	Page 162
SO CLASS 46 mm Full Extension Slide System	Page 163
SO CLASS 43 mm Full Extension Slide System	Page 164
SO CLASS 35 mm Full Extension Soft-Close Slide System	Page 165
SO CLASS 35 mm Full Extension Slide System	Page 166
SO CLASS 27 mm Single Extension Latched Slide System	Page 167
SO CLASS 27 mm Single Extension Slide System	Page 168
SO CLASS 17 mm Single Extension Slide System	Page 169
SO CLASS Assembly Instructions	Page 170-171
Klasik Epoxy Roller Keyboard Slide	Page 172
Klasik Epoxy Roller	Page 173-174
Klasik Epoxy Roller Soft-Close Mechanism	Page 175-176
Smart Slide Full Extension Drawer Lock Fix	Page 177-178
Smart Slide Full Extension Drawer with Single Gallery Railing Lock Fix	Page 180-181
Smart Slide Full Extension Drawer with Double Gallery Railing Lock Fix	Page 182-183
Smart Slide Push-Open Full Extension Drawer Lock Fix	Page 184-185
Smart Slide Push-Open Full Extension Soft Close Drawer Lock Fix	Page 186-187
Smart Slide Full Extension Soft Close Drawer Pin Fix	Page 188-189
Smart Slide Push-Open Full Extension Drawer Pin Fix	Page 190-191
Smart Slide Single Extension Drawer Lock Fix	Page 192-193
Smart Slide Single Extension Drawer w/ Single Gallery Railing Lock Fix	Page 194-195
Smart Slide Single Extension Drawer w/ Double Gallery Railing Lock Fix	Page 196-197
Smart Slide Push-Open Single Extension Drawer Lock Fix	Page 198-199
Smart Slide Single Extension Drawer Pin Fix	Page 200-201
Smart Slide Drawer Stabilizer	Page 202-203
Smart Slide Smart Distance Bracket	Page 204
Smart Slide Preparing a Drawer and Hole Axis	Page 205
Smart Slide Smart Drilling Jig	Page 206
Smart Slide Smart Lock® Template	Page 207
Smart Slide Smart Drilling Jig with Ruler	Page 208-209
Slidea Single Extension Drawer Lock Fix [18 mm]	Page 210-211
Slidea Single Extension Drawer Lock Fix [16 mm]	Page 212-213
Slidea Single Extension Drawer Pin Fix [18 mm]	Page 214-215
Slidea Single Extension Drawer Pin Fix [16 mm]	Page 216-217
Slidea Push-Open Single Extension Drawer Lock Fix [18 mm]	Page 218-219
Slidea Push-Open Single Extension Drawer Lock Fix [16 mm]	Page 220-221
Slidea Push-Open Single Extension Drawer Pin Fix [18 mm]	Page 222-223
Slidea Push-Open Single Extension Drawer Pin Fix [16 mm]	Page 224-225
Ultimade Slide Single Extension Drawer Lock Fix	Page 226-227

BOX SYSTEMS

Flowbox H 106 Drawer	Page 230-231
Flowbox H 106 Drawer with Gallery Railing	Page 232-233
Flowbox H 106 In-Box	Page 234-235
Flowbox H 106 In-Box with Gallery Railing	Page 236-237
Flowbox H 106 Glass Side Panel	Page 238-239
Flowbox H 192 Drawer	Page 240-241
Flowbox H 192 Drawer With Gallery Railing	Page 242-243
Flowbox H 192 In-Box	Page 244-245
Flowbox H 192 Glass Side Panel	Page 246-247
Industrial Codes for Drawer Box Systems	Page 248-249
Industrial Codes for Drawer Box Systems	Page 250-251
Inside Drawer Dividing Systems	Page 252

Sink Cabinet Drawer Solution For Flowbox H106	Page 254-255
Sink Cabinet Drawer Solution for Flowbox H106 with Gallery Railing and Flowbox H192	Page 256-257
Flowbox Assembly Instructions	Page 258-259
Alphabox H116 Drawer	Page 260-261
Alphabox H116 Drawer with Gallery Railing	Page 262-263
Alphabox H116 In-Box Drawer	Page 264-265
Alphabox H116 In-Box with Gallery Railing	Page 266-267
Alphabox H116 Glass Side Panel	Page 268-269
Alphabox Industrial Codes for Drawer Box Systems	Page 271
Alphabox Industrial Codes for Drawer Systems	Page 272-273
Alphabox Inside Drawer Dividing Systems	Page 274
Alphabox Invaria Electronic - SE	Page 275
Alphabox Invaria Cutlery - SC	Page 276-277
Alphabox Sink Cabinet Solution for Alphabox H116	Page 278-279
Alphabox Sink Cabinet Solution for Alphabox H116 with Gallery Railing Assembly Instructions	Page 280-281
Smartbox H 100 Drawer	Page 282-283
Smartbox H 100 Drawer with Single Gallery Railing	Page 284-285
Smartbox H 100 Drawer with Single Gallery Railing	Page 286-287
Smartbox H 100 Drawer with Double Gallery Railing	Page 288-289
Smartbox H 100 Drawer Metal Side Panel H:48	Page 290-291
Smartbox H 100 Drawer Metal Side Panel H:112	Page 292-293
Smartbox H 100 In-Box Drawer	Page 294-295
Smartbox H 100 In-Box Drawer with Single Gallery Railing	Page 296-297
Smartbox H 100 In-Box Drawer with Double Gallery Railing	Page 298-299
Smartbox H 100 In-Box Drawer with Metal Side Panel H:48	Page 300-301
Smartbox H 100 In-Box Drawer with Metal Side Panel H:112	Page 302-303
Smartbox Industrial Codes for Drawer Systems	Page 304-305
Smartbox Industrial Codes for In-Box Drawers	Page 306-307
Smartbox Invaria Cutlery - SC	Page 308-309
Smartbox Invaria Electronic - SE	Page 310
Smartbox Sink Cabinet with Gallery Railing	Page 311
Smartbox Distance Bracket	Page 312
Smartbox Drawer Front Panel Marking Template	Page 313
Smartbox Universal Drilling Jig with Ruler	Page 314-315
Smartbox Drawer Front Stabilizer	Page 316
Smartbox Bottle Holder	Page 317
Smartbox Inside Drawer Dividing Systems	Page 318
Smartbox Sheet Metal Side Panels	Page 319
Smartbox Drawer Assembly and Mounting	Page 320
Smartbox In-Box Drawer Mounting and Fixing	Page 321
Sam Box Standard Drawer Sam Box 54	Page 322-323
Sam Box Standard Drawer Sam Box 86	Page 324-325
Sam Box Standard Drawer Sam Box 118	Page 326-327
Sam Box Standard Drawer Sam Box 150	Page 328-329
Sam Box Drawer Soft Close Mechanism	Page 330-331
Smart Slide-Sam Box Gallery Railing Profiles	Page 332-333
Smart Slide-Sam Box Folder Suspender	Page 334-335
Sam Box Mounting of Standard Sam Box Drawer	Page 336
Plastic Cutlery	Page 337

Contents

LIFT-UP DOOR SYSTEMS

Multi-Mech Mechanical Double Lift-Up Door MechanismPage 340-341-342-343-344-345
Solo-Mech Hingeless Single Lift-Up Door MechanismPage 346-347-348-349-350-351
Gas Spring & Performa Lid StayPage 352

SLIDING DOOR SYSTEMS

SMT 110 PLUS Upper Guided Sliding Door SystemPage 356-357-358
SMT 100 PLUS Upper Guided Sliding Door SystemPage 360-361-362
SMT 100 Upper Guided Sliding Door SystemPage 363-364-365
SMT 75 T - Adjustable Tween Sliding Door MechanismPage 366-367-368
Handle ProfilesPage 369
Rail ProfilesPage 370

ACCESSORIES & FITTINGS SYSTEMS

SamfixPage 374-375
JetfixPage 376
Eccentric Cabinet ConnectorPage 377
Trapez Connecting FittingsPage 378
Butterfly Zamac Connection FittingPage 379
Lux Economic L-Type Cabinet HangerPage 380
DasetPage 381
AfixPage 382
Shelf SupportPage 383
Wall BracketPage 384
Shelf HoldersPage 385
Plastic Plinth AdjustersPage 386
Cover CapsPage 387
SAMET Spackling Paste for Veneer and Solid WoodPage 388

MACHINESPage 391
-----------------	---------------

High Technology and Perfect Service with Wide Range Products

SAMET Hinge Systems bring aesthetic touch for elegant cabinets and integrated soft-close technology ensures smooth and silent closing effect.

SAMET innovates premium hinge systems to add value for every living spaces.

Read the QR code to learn more about Hinge Systems.



Install a QR code reader for your operating system. Then start the QR code reader and keep your smartphone or tablet approximately 20 cm above the QR code.

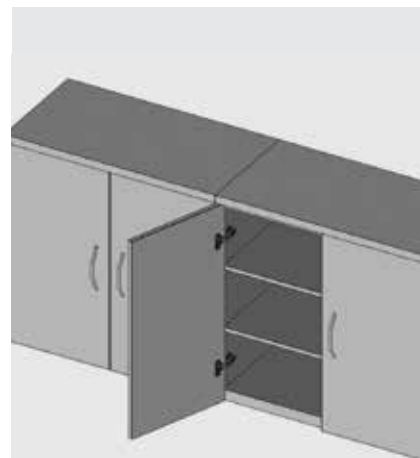


hinge systems

Master Soft Close Hinge



- Opening Angle : 110°
 - Cup Diameter : 35 mm
 - Cup Depth : 12,50 mm
 - Hinge Body : Steel
 - Hinge Cup : Steel
 - Crank Type : 0-9-18 mm
 - Finish : Nickel
 - Depth Adj. : +3/-2 mm
 - Side Adj. : +6/-1 mm
 - Packaging : 125 Pieces
- Tool free and simple assembling and disassembling of the cabinet doors. Only one touch on the Track mechanism is enough to release and fix the cabinet doors.



Cranking	Crank 0
DEFINITION	CODE
45 Axis	10100411
45 Axis Ø8 Dowel	101004111
45 Axis Ø10 Dowel	101004112
45 Axis Euro Screw	101004113
45 Axis Tool-Less	101004118
45 Axis Easy Fit	101004117
48 Axis	10100412
48 Axis Ø8 Dowel	101004121
48 Axis Ø10 Dowel	101004122
48 Axis Euro Screw	101004123
48 Axis Tool-Less	101004128
48 Axis Easy Fit	101004127
52 Axis	10100413
52 Axis Ø8 Dowel	101004131
52 Axis Ø10 Dowel	101004132
52 Axis Euro Screw	101004133
52 Axis Tool-Less	101004138
52 Axis Easy Fit	101004137

Cranking	Crank 9
DEFINITION	CODE
45 Axis	10100421
45 Axis Ø8 Dowel	101004211
45 Axis Ø10 Dowel	101004212
45 Axis Euro Screw	101004213
45 Axis Tool-Less	101004218
45 Axis Easy Fit	101004217
48 Axis	10100422
48 Axis Ø8 Dowel	101004221
48 Axis Ø10 Dowel	101004222
48 Axis Euro Screw	101004223
48 Axis Tool-Less	101004228
48 Axis Easy Fit	101004227
52 Axis	10100423
52 Axis Ø8 Dowel	101004231
52 Axis Ø10 Dowel	101004232
52 Axis Euro Screw	101004233
52 Axis Tool-Less	101004238
52 Axis Easy Fit	101004237

Cranking	Crank 18
DEFINITION	CODE
45 Axis	10100431
45 Axis Ø8 Dowel	101004311
45 Axis Ø10 Dowel	101004312
45 Axis Euro Screw	101004313
45 Axis Tool-Less	101004318
45 Axis Easy Fit	101004317
48 Axis	10100432
48 Axis Ø8 Dowel	101004321
48 Axis Ø10 Dowel	101004322
48 Axis Euro Screw	101004323
48 Axis Tool-Less	101004328
48 Axis Easy Fit	101004327
52 Axis	10100433
52 Axis Ø8 Dowel	101004331
52 Axis Ø10 Dowel	101004332
52 Axis Euro Screw	101004333
52 Axis Tool-Less	101004338
52 Axis Easy Fit	101004337

Screw Options

Ø3,5x16 mm Chipboard Screw



Euro Screw



Ø8-10 mm Plastic Dowel



Easy Fit



Tool-Less

Page Directions

Mounting Plates

Page 156-159

Decorative Covers

Page 178

Assembly

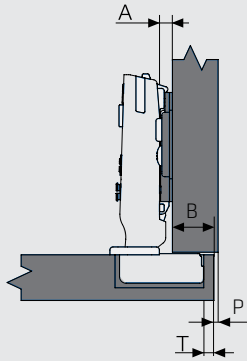
Page 184

Dimension Charts and Symbols

Page 186

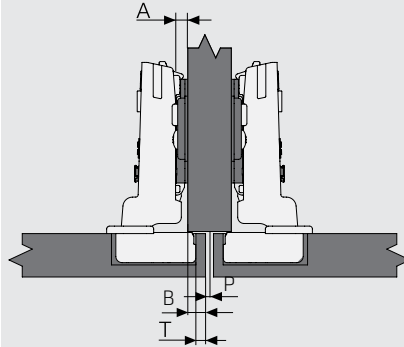
Cranking

Crank 0



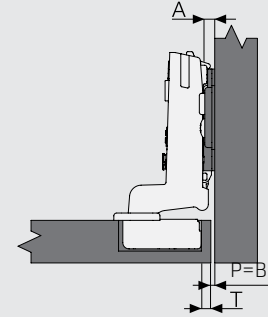
Cranking

Crank 9



Cranking

Crank 18



		A - Mounting Plate		
		5	7	9
B - Bini	12			3
	13			4
	14		3	5
	15		4	6
	16	3	5	7
	17	4	6	
	18	5	7	
	19	6		
20	7			
		T - Cup Distance		

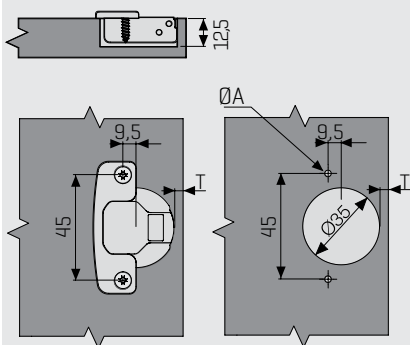
		A - Mounting Plate			
		5	7	9	
B - Bini	3			3	
	4			4	
	5		3	5	
	6		4	6	
	7	3	5	7	
	8	4	6		
	9	5	7		
	10	6			
	11	7			
			T - Cup Distance		

		A - Mounting Plate			
		5	7	9	
B - Bini	6			3	
	5			4	
	4		3	5	
	3		4	6	
	2	3	5	7	
	1	4	6		
	0	5	7		
			T - Cup Distance		

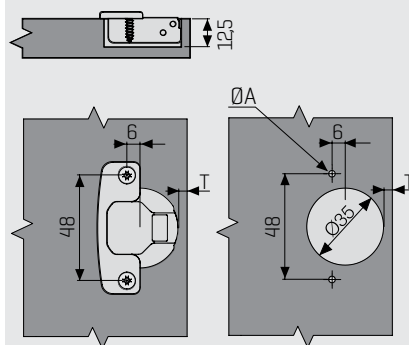
Min. Reveal for Doors [P]

K	16	17	18	19	20	21	22	23	24	25	26
T=3	0.72	0.98	1.29	1.65	2.08	2.59	3.21	3.93	4.72	5.54	6.39
T=4	0.69	0.94	1.23	1.57	1.97	2.44	2.98	3.62	4.34	5.12	5.93
T=5	0.67	0.91	1.18	1.51	1.88	2.31	2.81	3.39	4.04	4.76	5.52
T=6	0.65	0.87	1.14	1.45	1.80	2.21	2.67	3.19	3.79	4.45	5.17
T=7	0.62	0.84	1.10	1.40	1.73	2.11	2.55	3.04	3.59	4.20	4.87

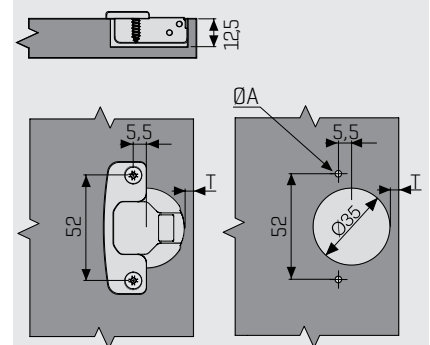
Cup Dimensions 45 mm



Cup Dimensions 48 mm



Cup Dimensions 52 mm



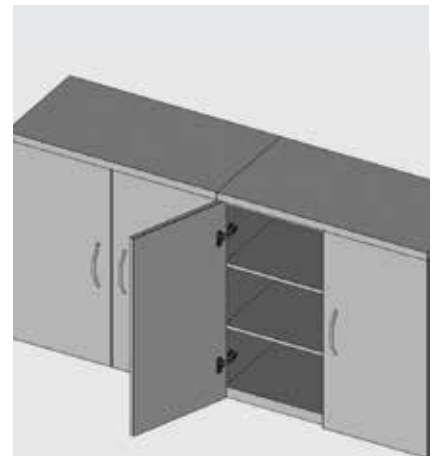
ØA [mm] = Chipboard Screw; Ø2,5x5 / Euro Screw Ø5x12 / [Ø8-Ø10] Dowel [Ø8-Ø10]x12 / Easy Fit; Ø10x12 / Tool-Less : Ø8x12"

hinge systems

Master | Black Soft Close Hinge



- Opening Angle : 110°
- Cup Diameter : 35 mm
- Cup Depth : 12,50 mm
- Hinge Body : Steel
- Hinge Cup : Steel
- Crank Type : 0-9-18 mm
- Finish : Black
- Depth Adj. : +3/-2 mm
- Side Adj. : +6/-1 mm
- Packaging : 125 Pieces
- Tool free and simple assembling and disassembling of the cabinet doors. Only one touch on the Track mechanism is enough to release and fix the cabinet doors.



Cranking	Crank 0
DEFINITION	CODE
45 Axis	10102411
45 Axis Ø8 Dowel	101024111
45 Axis Ø10 Dowel	101024112
45 Axis Euro Screw	101024113
45 Axis Tool-Less	101024118
45 Axis Easy Fit	101024117
48 Axis	10102412
48 Axis Ø8 Dowel	101024121
48 Axis Ø10 Dowel	101024122
48 Axis Euro Screw	101024123
48 Axis Tool-Less	101024128
48 Axis Easy Fit	101024127
52 Axis	10102413
52 Axis Ø8 Dowel	101024131
52 Axis Ø10 Dowel	101024132
52 Axis Euro Screw	101024133
52 Axis Tool-Less	101024138
52 Axis Easy Fit	101024137

Cranking	Crank 9
DEFINITION	CODE
45 Axis	10102421
45 Axis Ø8 Dowel	101024211
45 Axis Ø10 Dowel	101024212
45 Axis Euro Screw	101024213
45 Axis Tool-Less	101024218
45 Axis Easy Fit	101024217
48 Axis	10102422
48 Axis Ø8 Dowel	101024221
48 Axis Ø10 Dowel	101024222
48 Axis Euro Screw	101024223
48 Axis Tool-Less	101024228
48 Axis Easy Fit	101024227
52 Axis	10102423
52 Axis Ø8 Dowel	101024231
52 Axis Ø10 Dowel	101024232
52 Axis Euro Screw	101024233
52 Axis Tool-Less	101024238
52 Axis Easy Fit	101024237

Cranking	Crank 18
DEFINITION	CODE
45 Axis	10102431
45 Axis Ø8 Dowel	101024311
45 Axis Ø10 Dowel	101024312
45 Axis Euro Screw	101024313
45 Axis Tool-Less	101024318
45 Axis Easy Fit	101024317
48 Axis	10102432
48 Axis Ø8 Dowel	101024321
48 Axis Ø10 Dowel	101024322
48 Axis Euro Screw	101024323
48 Axis Tool-Less	101024328
48 Axis Easy Fit	101024327
52 Axis	10102433
52 Axis Ø8 Dowel	101024331
52 Axis Ø10 Dowel	101024332
52 Axis Euro Screw	101024333
52 Axis Tool-Less	101024338
52 Axis Easy Fit	101024337

Screw Options

Ø3,5x16 mm Chipboard Screw



Euro Screw



Ø8-10 mm Plastic Dowel



Easy Fit



Tool-Less

Page Directions

Mounting Plates

Page 156-159

Decorative Covers

Page 178

Assembly

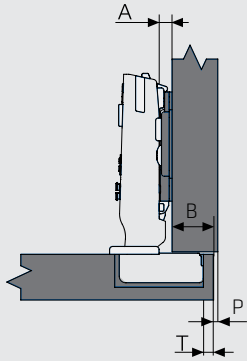
Page 184

Dimension Charts and Symbols

Page 186

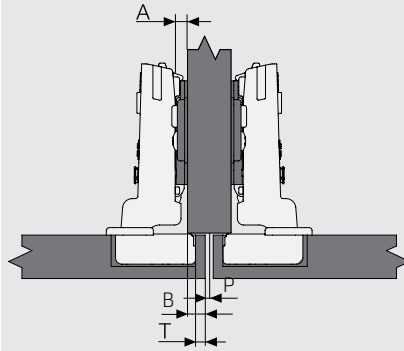
Cranking

Crank 0



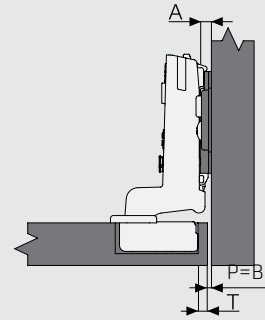
Cranking

Crank 9



Cranking

Crank 18



		A - Mounting Plate		
		5	7	9
B - Bini	12			3
	13			4
	14		3	5
	15		4	6
	16	3	5	7
	17	4	6	
	18	5	7	
	19	6		
20	7			
		T - Cup Distance		

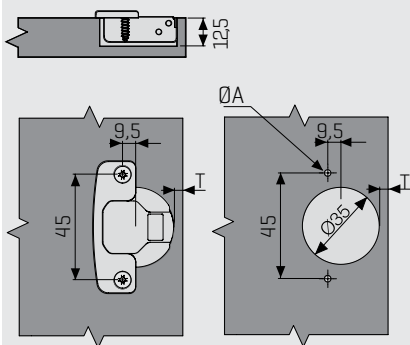
		A - Mounting Plate			
		5	7	9	
B - Bini	3			3	
	4			4	
	5		3	5	
	6		4	6	
	7	3	5	7	
	8	4	6		
	9	5	7		
	10	6			
	11	7			
			T - Cup Distance		

		A - Mounting Plate		
		5	7	9
B - Bini	6			3
	5			4
	4		3	5
	3		4	6
	2	3	5	7
	1	4	6	
	0	5	7	
		T - Cup Distance		

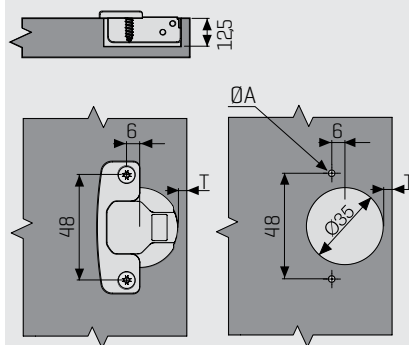
Min. Reveal for Doors [P]

K	16	17	18	19	20	21	22	23	24	25	26
T=3	0.72	0.98	1.29	1.65	2.08	2.59	3.21	3.93	4.72	5.54	6.39
T=4	0.69	0.94	1.23	1.57	1.97	2.44	2.98	3.62	4.34	5.12	5.93
T=5	0.67	0.91	1.18	1.51	1.88	2.31	2.81	3.39	4.04	4.76	5.52
T=6	0.65	0.87	1.14	1.45	1.80	2.21	2.67	3.19	3.79	4.45	5.17
T=7	0.62	0.84	1.10	1.40	1.73	2.11	2.55	3.04	3.59	4.20	4.87

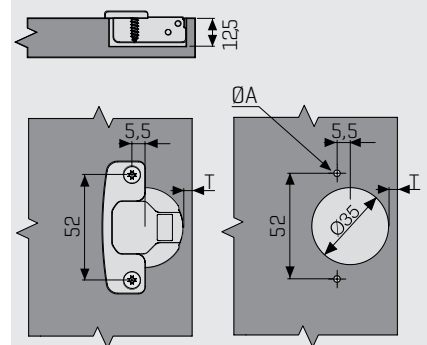
Cup Dimensions 45 mm



Cup Dimensions 48 mm



Cup Dimensions 52 mm



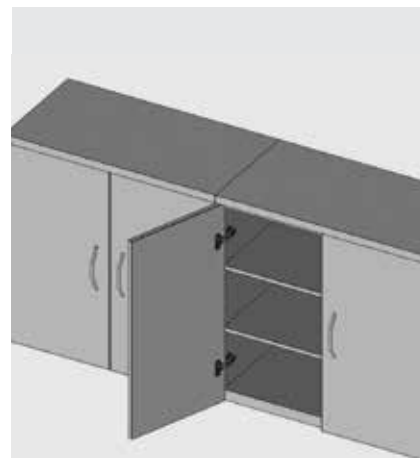
ØA [mm] = Chipboard Screw; Ø2,5x5 / Euro Screw Ø5x12 / [Ø8-Ø10] Dowel [Ø8-Ø10]x12 / Easy Fit; Ø10x12 / Tool-Less : Ø8x12"

hinge systems

Master Hinge



- Opening Angle : 110°
 - Cup Diameter : 35 mm
 - Cup Depth : 12,50 mm
 - Hinge Body : Steel
 - Hinge Cup : Steel
 - Crank Type : 0-9-18 mm
 - Finish : Nickel
 - Depth Adj. : +3/-2 mm
 - Side Adj. : +6/-1 mm
 - Packaging : 125 Pieces
- Tool free and simple assembling and disassembling of the cabinet doors. Only one touch on the Track mechanism is enough to release and fix the cabinet doors.



Cranking		Crank 0
DEFINITION	CODE	
45 Axis	10101411	
45 Axis Ø8 Dowel	101014111	
45 Axis Ø10 Dowel	101014112	
45 Axis Euro Screw	101014113	
45 Axis Tool-Less	101014118	
45 Axis Easy Fit	101014117	
48 Axis	10101412	
48 Axis Ø8 Dowel	101014121	
48 Axis Ø10 Dowel	101014122	
48 Axis Euro Screw	101014123	
48 Axis Tool-Less	101014128	
48 Axis Easy Fit	101014127	
52 Axis	10101413	
52 Axis Ø8 Dowel	101014131	
52 Axis Ø10 Dowel	101014132	
52 Axis Euro Screw	101014133	
52 Axis Tool-Less	101014138	
52 Axis Easy Fit	101014137	

Cranking		Crank 9
DEFINITION	CODE	
45 Axis	10101421	
45 Axis Ø8 Dowel	101014211	
45 Axis Ø10 Dowel	101014212	
45 Axis Euro Screw	101014213	
45 Axis Tool-Less	101014218	
45 Axis Easy Fit	101014217	
48 Axis	10101422	
48 Axis Ø8 Dowel	101014221	
48 Axis Ø10 Dowel	101014222	
48 Axis Euro Screw	101014223	
48 Axis Tool-Less	101014228	
48 Axis Easy Fit	101014227	
52 Axis	10101423	
52 Axis Ø8 Dowel	101014231	
52 Axis Ø10 Dowel	101014232	
52 Axis Euro Screw	101014233	
52 Axis Tool-Less	101014238	
52 Axis Easy Fit	101014237	

Cranking		Crank 18
DEFINITION	CODE	
45 Axis	10101431	
45 Axis Ø8 Dowel	101014311	
45 Axis Ø10 Dowel	101014312	
45 Axis Euro Screw	101014313	
45 Axis Tool-Less	101014318	
45 Axis Easy Fit	101014317	
48 Axis	10101432	
48 Axis Ø8 Dowel	101014321	
48 Axis Ø10 Dowel	101014322	
48 Axis Euro Screw	101014323	
48 Axis Tool-Less	101014328	
48 Axis Easy Fit	101014327	
52 Axis	10101433	
52 Axis Ø8 Dowel	101014331	
52 Axis Ø10 Dowel	101014332	
52 Axis Euro Screw	101014333	
52 Axis Tool-Less	101014338	
52 Axis Easy Fit	101014337	

Screw Options

Ø3,5x16 mm Chipboard Screw



Euro Screw



Ø8-10 mm Plastic Dowel



Easy Fit



Tool-Less

Page Directions

Mounting Plates

Page 156-159

Decorative Covers

Page 178

Assembly

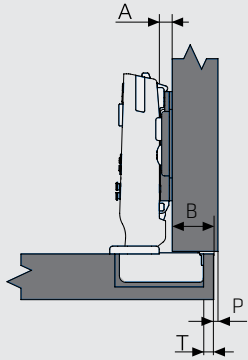
Page 184

Dimension Charts and Symbols

Page 186

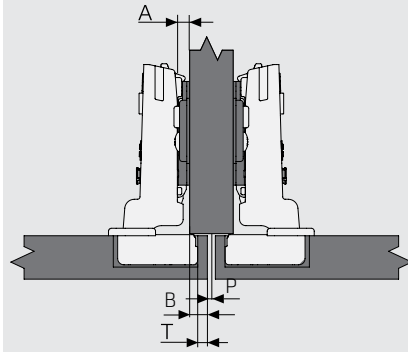
Cranking

Crank 0



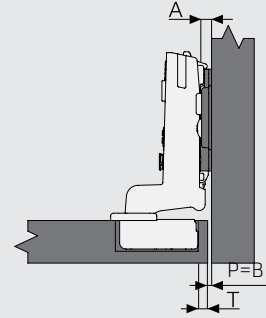
Cranking

Crank 9



Cranking

Crank 18



		A - Mounting Plate		
		5	7	9
B - Bini	12			3
	13			4
	14		3	5
	15		4	6
	16	3	5	7
	17	4	6	
	18	5	7	
	19	6		
	20	7		
		T - Cup Distance		

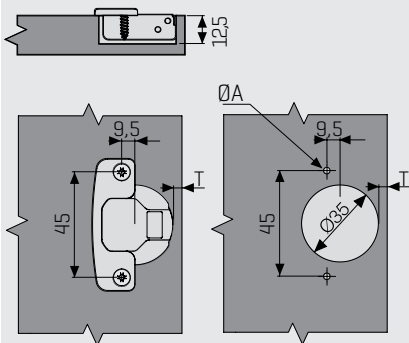
		A - Mounting Plate			
		5	7	9	
B - Bini	3			3	
	4			4	
	5		3	5	
	6		4	6	
	7	3	5	7	
	8	4	6		
	9	5	7		
	10	6			
	11	7			
			T - Cup Distance		

		A - Mounting Plate		
		5	7	9
B - Bini	6			3
	5			4
	4		3	5
	3		4	6
	2	3	5	7
	1	4	6	
	0	5	7	
		T - Cup Distance		

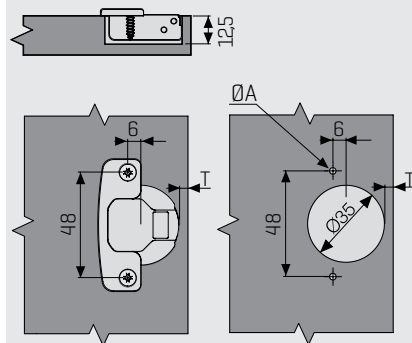
Min. Reveal for Doors [P]

K	16	17	18	19	20	21	22	23	24	25	26
T=3	0.72	0.98	1.29	1.65	2.08	2.59	3.21	3.93	4.72	5.54	6.39
T=4	0.69	0.94	1.23	1.57	1.97	2.44	2.98	3.62	4.34	5.12	5.93
T=5	0.67	0.91	1.18	1.51	1.88	2.31	2.81	3.39	4.04	4.76	5.52
T=6	0.65	0.87	1.14	1.45	1.80	2.21	2.67	3.19	3.79	4.45	5.17
T=7	0.62	0.84	1.10	1.40	1.73	2.11	2.55	3.04	3.59	4.20	4.87

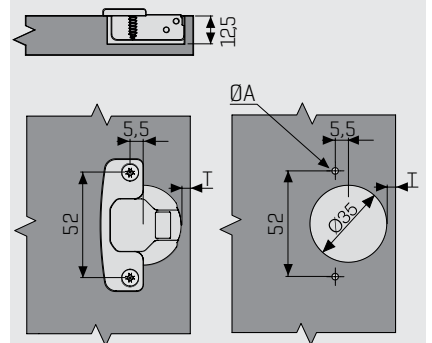
Cup Dimensions 45 mm



Cup Dimensions 48 mm



Cup Dimensions 52 mm



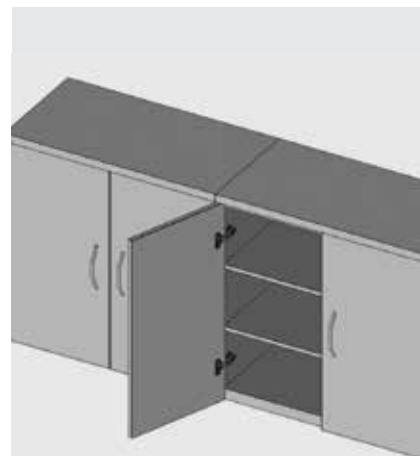
ØA [mm] = TChipboard Screw; Ø2,5x5 / Euro Screw Ø5x12 / (Ø8-Ø10) Dowel (Ø8-Ø10)x12 / Easy Fit; Ø10x12 / Tool-Less : Ø8x12"

hinge systems

Master | Black Hinge



- Opening Angle : 110°
- Cup Diameter : 35 mm
- Cup Depth : 12,50 mm
- Hinge Body : Steel
- Hinge Cup : Steel
- Crank Type : 0-9-18 mm
- Finish : Black
- Depth Adj. : +3/-2 mm
- Side Adj. : +6/-1 mm
- Packaging : 125 Pieces
- Tool free and simple assembling and disassembling of the cabinet doors. Only one touch on the Track mechanism is enough to release and fix the cabinet doors.



Cranking	Crank 0
DEFINITION	CODE
45 Axis	10103411
45 Axis Ø8 Dowel	101034111
45 Axis Ø10 Dowel	101034112
45 Axis Euro Screw	101034113
45 Axis Tool-Less	101034118
45 Axis Easy Fit	101034117
48 Axis	10103412
48 Axis Ø8 Dowel	101034121
48 Axis Ø10 Dowel	101034122
48 Axis Euro Screw	101034123
48 Axis Tool-Less	101034128
48 Axis Easy Fit	101034127
52 Axis	10103413
52 Axis Ø8 Dowel	101034131
52 Axis Ø10 Dowel	101034132
52 Axis Euro Screw	101034133
52 Axis Tool-Less	101034138
52 Axis Easy Fit	101034137

Cranking	Crank 9
DEFINITION	CODE
45 Axis	10103421
45 Axis Ø8 Dowel	101034211
45 Axis Ø10 Dowel	101034212
45 Axis Euro Screw	101034213
45 Axis Tool-Less	101034218
45 Axis Easy Fit	101034217
48 Axis	10103422
48 Axis Ø8 Dowel	101034221
48 Axis Ø10 Dowel	101034222
48 Axis Euro Screw	101034223
48 Axis Tool-Less	101034228
48 Axis Easy Fit	101034227
52 Axis	10103423
52 Axis Ø8 Dowel	101034231
52 Axis Ø10 Dowel	101034232
52 Axis Euro Screw	101034233
52 Axis Tool-Less	101034238
52 Axis Easy Fit	101034237

Cranking	Crank 18
DEFINITION	CODE
45 Axis	10103431
45 Axis Ø8 Dowel	101034311
45 Axis Ø10 Dowel	101034312
45 Axis Euro Screw	101034313
45 Axis Tool-Less	101034318
45 Axis Easy Fit	101034317
48 Axis	10103432
48 Axis Ø8 Dowel	101034321
48 Axis Ø10 Dowel	101034322
48 Axis Euro Screw	101034323
48 Axis Tool-Less	101034328
48 Axis Easy Fit	101034327
52 Axis	10103433
52 Axis Ø8 Dowel	101034331
52 Axis Ø10 Dowel	101034332
52 Axis Euro Screw	101034333
52 Axis Tool-Less	101034338
52 Axis Easy Fit	101034337

Screw Options

Ø3,5x16 mm Chipboard Screw



Euro Screw



Ø8-10 mm Plastic Dowel



Easy Fit



Tool-Less

Page Directions

Mounting Plates

Page 156-159

Decorative Covers

Page 178

Assembly

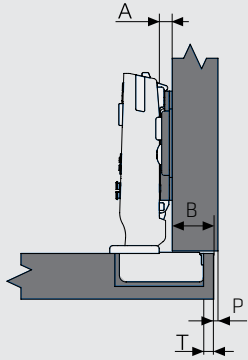
Page 184

Dimension Charts and Symbols

Page 186

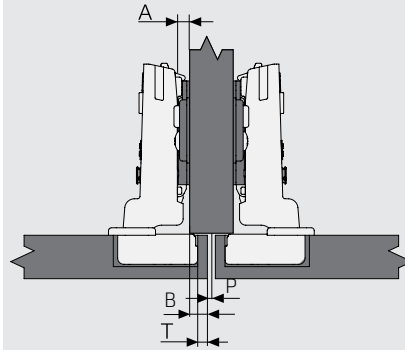
Cranking

Crank 0



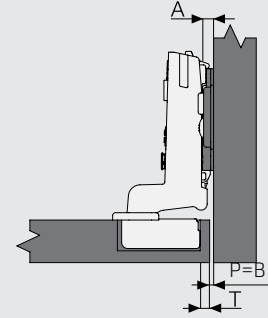
Cranking

Crank 9



Cranking

Crank 18



		A - Mounting Plate		
		5	7	9
B - Bini	12			3
	13			4
	14		3	5
	15		4	6
	16	3	5	7
	17	4	6	
	18	5	7	
	19	6		
20	7			
		T - Cup Distance		

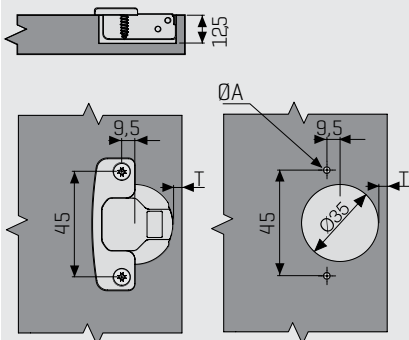
		A - Mounting Plate			
		5	7	9	
B - Bini	3			3	
	4			4	
	5		3	5	
	6		4	6	
	7	3	5	7	
	8	4	6		
	9	5	7		
	10	6			
	11	7			
			T - Cup Distance		

		A - Mounting Plate		
		5	7	9
B - Bini	6			3
	5			4
	4		3	5
	3		4	6
	2	3	5	7
	1	4	6	
	0	5	7	
		T - Cup Distance		

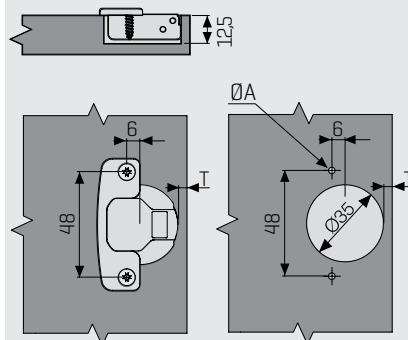
Min. Reveal for Doors [P]

K	16	17	18	19	20	21	22	23	24	25	26
T=3	0.72	0.98	1.29	1.65	2.08	2.59	3.21	3.93	4.72	5.54	6.39
T=4	0.69	0.94	1.23	1.57	1.97	2.44	2.98	3.62	4.34	5.12	5.93
T=5	0.67	0.91	1.18	1.51	1.88	2.31	2.81	3.39	4.04	4.76	5.52
T=6	0.65	0.87	1.14	1.45	1.80	2.21	2.67	3.19	3.79	4.45	5.17
T=7	0.62	0.84	1.10	1.40	1.73	2.11	2.55	3.04	3.59	4.20	4.87

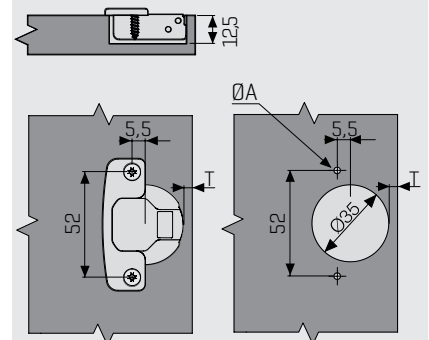
Cup Dimensions 45 mm



Cup Dimensions 48 mm



Cup Dimensions 52 mm



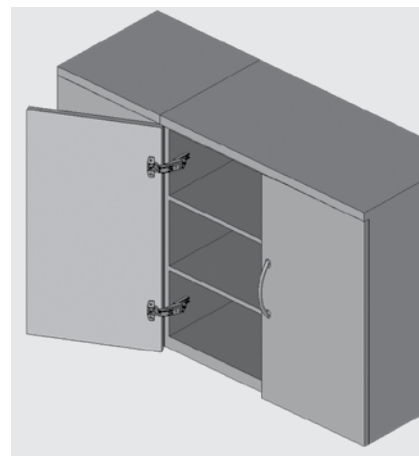
ØA [mm] = TChipboard Screw; Ø2,5x5 / Euro Screw Ø5x12 / (Ø8-Ø10) Dowel (Ø8-Ø10)x12 / Easy Fit; Ø10x12 / Tool-Less : Ø8x12"

hinge systems

Samet 165° Soft Close Hinge



- Opening Angle : 155°
- Cup Diameter : Ø35
- Cup Depth : 11,50 mm
- Hinge Body / Cup : Steel
- Crank Type : 0 mm
- Finish : Nickel
- Depth Adj. : +4,6 / -0,4 mm
- Side Adj. : +1/-6
- Up/Down : ±2 mm
- Packaging : 100 Pieces
- Simple assembling and disassembling of the cabinet doors. Only one touch on the Track mechanism is enough to release and fix the cabinet doors.



Samet 165° Crank 0 Soft Close Hinge Adjustable Mounting Plate Pre-assembled

DEFINITION	CODE
45 Axis	1016010
45 Axis Ø8 Dowel	1016011
45 Axis Ø10 Dowel	1016012
48 Axis	1016020
48 Axis Ø8 Dowel	1016021
48 Axis Ø10 Dowel	1016022
52 Axis	1016030
52 Axis Ø8 Dowel	1016031
52 Axis Ø10 Dowel	1016032

Page Directions

Assembly	Page 184
Dimension Charts and Symbols	Page 186

Screw Options

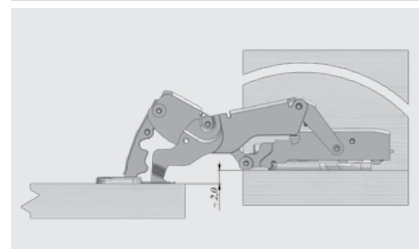
Ø3,5x16 mm Chipboard Screw



Ø8-10 mm Plastic Dowel

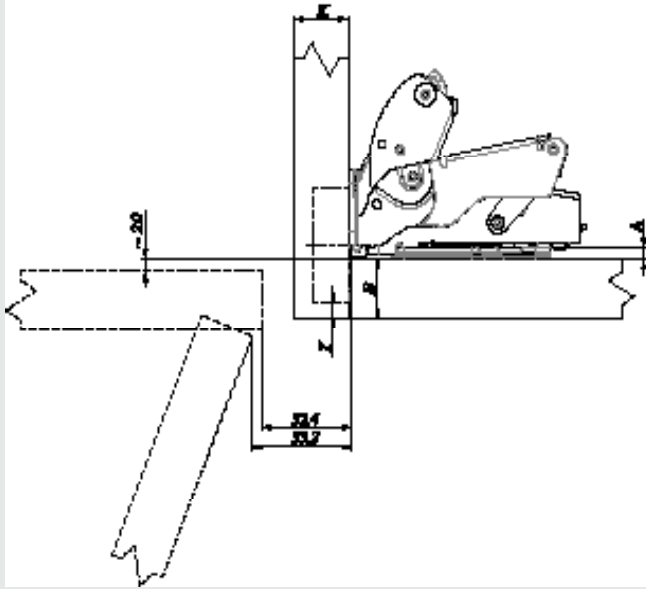


Application Dimension



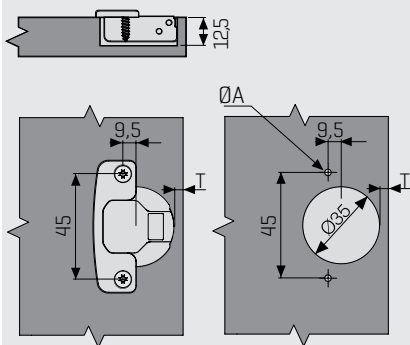
Cranking

Crank 0

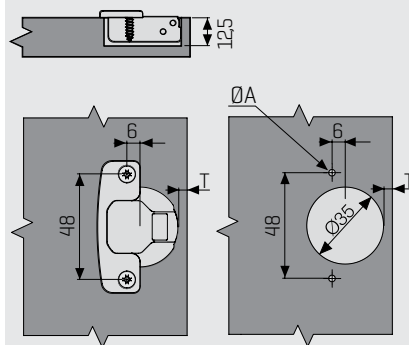


		A - Mounting Plate
		H:O
lay	15	3
	16	4
	17	5
	18	6
	19	7
		T - Cup Distance

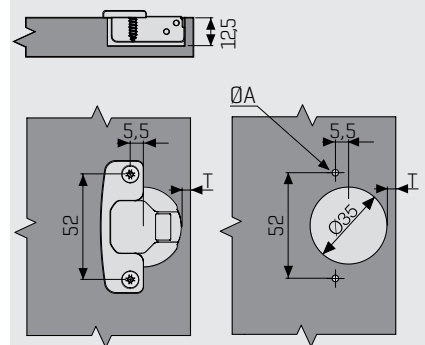
Cup Dimensions 45 mm



Cup Dimensions 48 mm



Cup Dimensions 52 mm



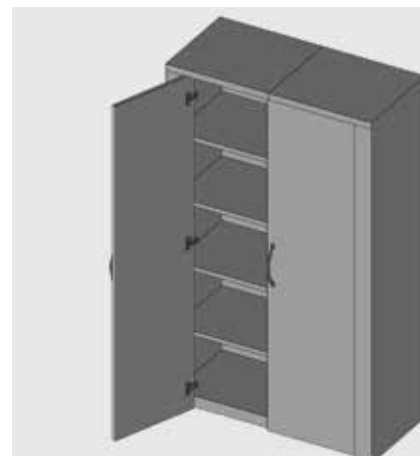
ØA [mm] = Chipboard Screw; Ø2,5x5 / [Ø8-Ø10] Dowel; [Ø8-Ø10]x12

hinge systems

Samet 90° Soft Close Hinge / Samet 90° Hinge



- Opening Angle : 110°
- Cup Diameter : 35 mm
- Cup Depth : 12,50 mm
- Hinge Body : Zamac
- Hinge Cup : Steel
- Finish : Nickel
- Depth Adj. : ±2 mm
- Packaging : 125 Pieces
- Tool free and simple assembling and disassembling of the cabinet doors. Only one touch on the Track mechanism is enough to release and fix the cabinet doors.



Samet 90° Soft Close Hinge

DEFINITION	CODE
45 Axis	10100461
45 Axis Ø8 Dowel	101004611
45 Axis Ø10 Dowel	101004612
45 Axis Euro Screw	101004613
45 Axis Easy Fit	101004617
48 Axis	10100462
48 Axis Ø8 Dowel	101004621
48 Axis Ø10 Dowel	101004622
48 Axis Euro Screw	101004623
48 Axis Easy Fit	101004627
52 Axis	10100463
52 Axis Ø8 Dowel	101004631
52 Axis Ø10 Dowel	101004632
52 Axis Euro Screw	101004633
52 Axis Easy Fit	101004637

Samet 90° Hinge

DEFINITION	CODE
45 Axis	10101461
45 Axis Ø8 Dowel	101014611
45 Axis Ø10 Dowel	101014612
45 Axis Euro Screw	101014613
45 Axis Easy Fit	101014617
48 Axis	10101462
48 Axis Ø8 Dowel	101014621
48 Axis Ø10 Dowel	101014622
48 Axis Euro Screw	101014623
48 Axis Easy Fit	101014627
52 Axis	10101463
52 Axis Ø8 Dowel	101014631
52 Axis Ø10 Dowel	101014632
52 Axis Euro Screw	101014633
52 Axis Easy Fit	101014637

Screw Options

Ø3,5x16 mm Chipboard Screw



Euro Screw



Ø8-10 mm Plastic Dowel



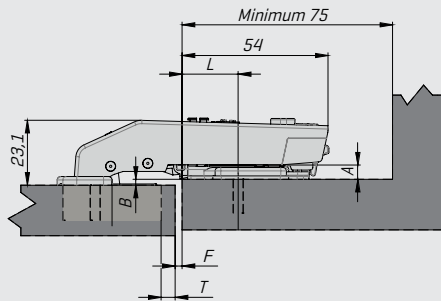
Easy Fit



Page Directions

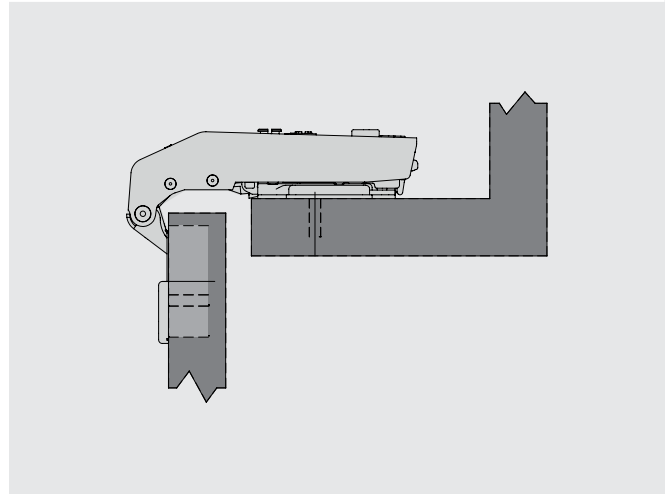
Mounting Plates	Page 156-159
Decorative Covers	Page 178
Assembly	Page 184
Dimension Charts and Symbols	Page 186

Application Alternatives

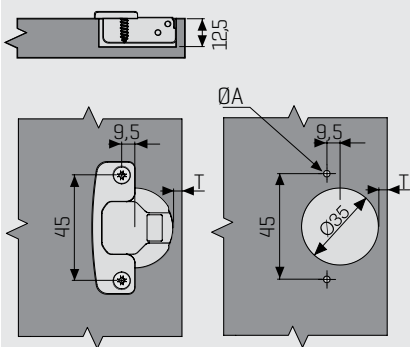


T=5	L=20	A=5	B=2	F=2
T=4	L=20	A=5	B=2	F=3

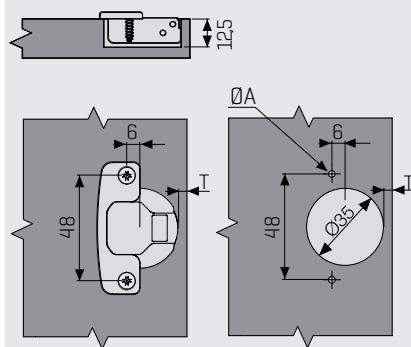
* B dimension should be minimum 0,5



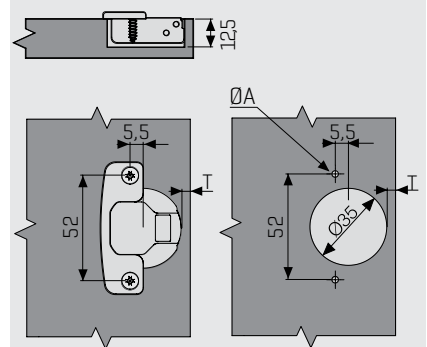
Cup Dimensions 45 mm



Cup Dimensions 48 mm



Cup Dimensions 52 mm



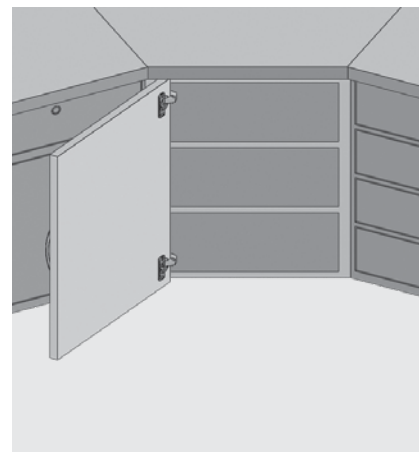
ØA [mm] = Chipboard Screw; Ø2,5x5 / Euro Screw Ø5x12 / [Ø8-Ø10] Dowel [Ø8-Ø10]x12 / Easy Fit; Ø10x12

hinge systems

Samet 45° Soft Close Hinge / Samet 45° Hinge



- Opening Angle : 110°
- Cup Diameter : 35 mm
- Cup Depth : 12,50 mm
- Hinge Body : Zamac
- Hinge Cup : Steel
- Finish : Nickel
- Depth Adj. : ±2 mm
- Packaging : 125 Pieces
- Tool free and simple assembling and disassembling of the cabinet doors. Only one touch on the Track mechanism is enough to release and fix the cabinet doors.



Samet 45° Soft Close Hinge

DEFINITION	CODE
45 Axis	10100441
45 Axis Ø8 Dowel	101004411
45 Axis Ø10 Dowel	101004412
45 Axis Euro Screw	101004413
45 Axis Easy Fit	101004417
48 Axis	10100442
48 Axis Ø8 Dowel	101004421
48 Axis Ø10 Dowel	101004422
48 Axis Euro Screw	101004423
48 Axis Easy Fit	101004427
52 Axis	10100443
52 Axis Ø8 Dowel	101004431
52 Axis Ø10 Dowel	101004432
52 Axis Euro Screw	101004433
52 Axis Easy Fit	101004437

Samet 45° Hinge

DEFINITION	CODE
45 Axis	10101441
45 Axis Ø8 Dowel	101014411
45 Axis Ø10 Dowel	101014412
45 Axis Euro Screw	101014413
45 Axis Easy Fit	101014417
48 Axis	10101442
48 Axis Ø8 Dowel	101014421
48 Axis Ø10 Dowel	101014422
48 Axis Euro Screw	101014423
48 Axis Easy Fit	101014427
52 Axis	10101443
52 Axis Ø8 Dowel	101014431
52 Axis Ø10 Dowel	101014432
52 Axis Euro Screw	101014433
52 Axis Easy Fit	101014437

Screw Options

Ø3,5x16 mm Chipboard Screw



Euro Screw



Ø8-10 mm Plastic Dowel



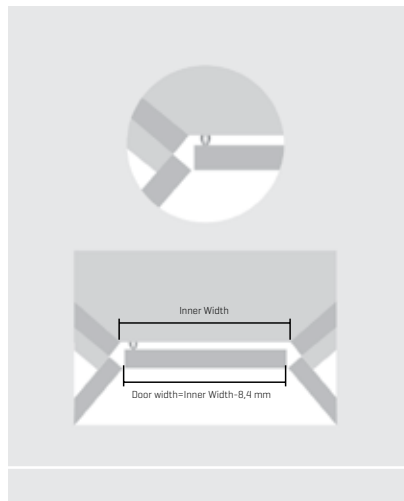
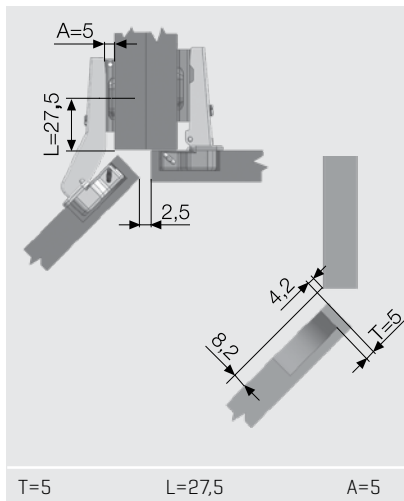
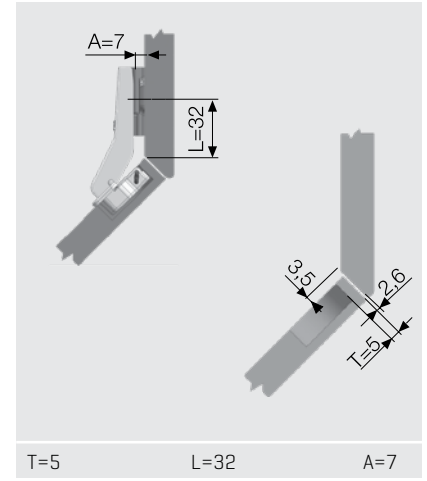
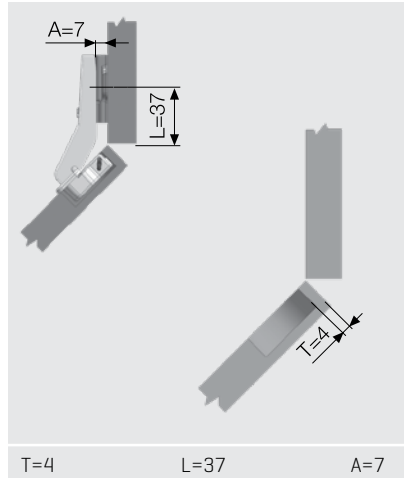
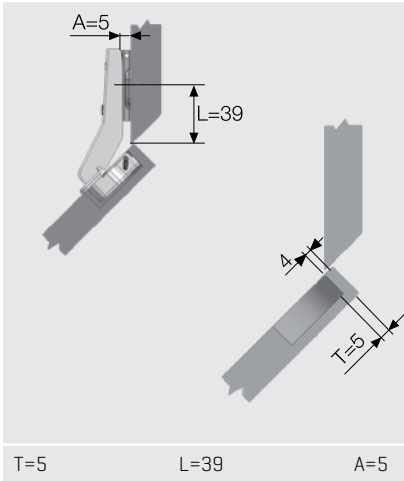
Easy Fit



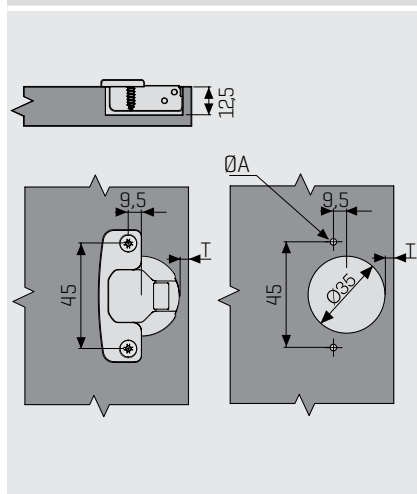
Page Directions

Mounting Plates	Page 156-159
Decorative Covers	Page 178
Assembly	Page 184
Dimension Charts and Symbols	Page 186

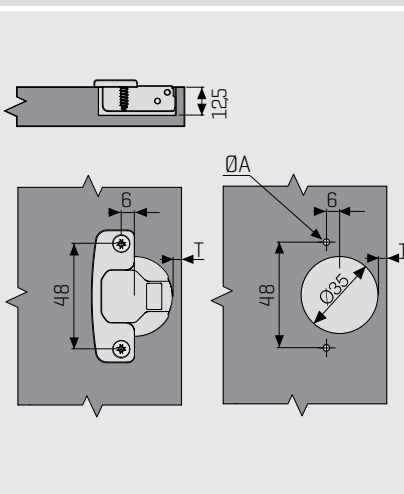
Application Alternatives



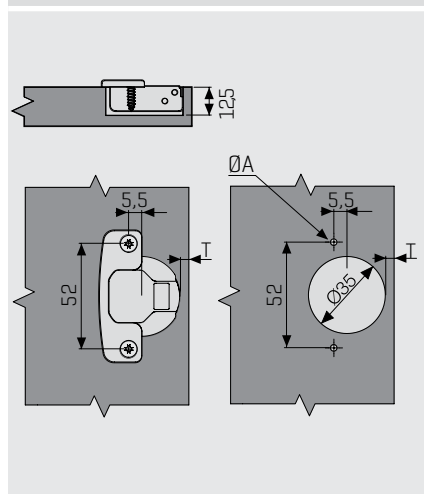
Cup Dimensions 45 mm



Cup Dimensions 48 mm



Cup Dimensions 52 mm



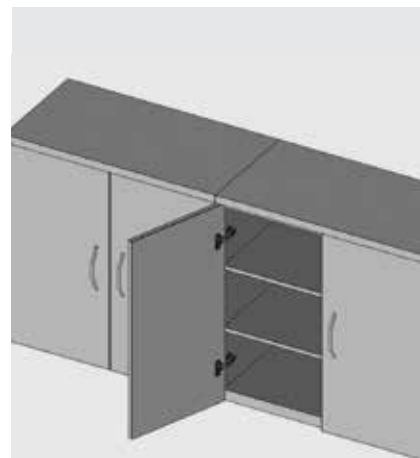
$\text{Ø}A$ [mm] = Chipboard Screw; $\text{Ø}2,5 \times 5$ / Euro Screw $\text{Ø}5 \times 12$ / ($\text{Ø}8$ - $\text{Ø}10$) Dowel ($\text{Ø}8$ - $\text{Ø}10$) $\times 12$ / Easy Fit; $\text{Ø}10 \times 12$

hinge systems

Star Track-3D Adjustable Hinge







- Opening Angle : 110°
 - Cup Diameter : 35 mm
 - Cup Depth : 11,2 mm
 - Hinge Body : Steel
 - Hinge Cup : Steel
 - Crank Type : 0-9-18 mm
 - Finish : Nickel
 - Depth Adj. : ±2 mm
 - Packaging : 250 Pieces
- Tool free and simple assembling and disassembling of the cabinet doors. Only one touch on the Track mechanism is enough to release and fix the cabinet doors.



Cranking		Crank 0
DEFINITION		CODE
45 Axis		10100211
45 Axis Ø8 Dowel		101002111
45 Axis Ø10 Dowel		101002112
45 Axis Euro Screw		101002113
45 Axis Easy Fit		101002117
48 Axis		10100212
48 Axis Ø8 Dowel		101002121
48 Axis Ø10 Dowel		101002122
48 Axis Euro Screw		101002123
48 Axis Easy Fit		101002127
52 Axis		10100213
52 Axis Ø8 Dowel		101002131
52 Axis Ø10 Dowel		101002132
52 Axis Euro Screw		101002133
52 Axis Easy Fit		101002137

Cranking		Crank 9
DEFINITION		CODE
45 Axis		10100221
45 Axis Ø8 Dowel		101002211
45 Axis Ø10 Dowel		101002212
45 Axis Euro Screw		101002213
45 Axis Easy Fit		101002217
48 Axis		10100222
48 Axis Ø8 Dowel		101002221
48 Axis Ø10 Dowel		101002222
48 Axis Euro Screw		101002223
48 Axis Easy Fit		101002227
52 Axis		10100223
52 Axis Ø8 Dowel		101002231
52 Axis Ø10 Dowel		101002232
52 Axis Euro Screw		101002233
52 Axis Easy Fit		101002237

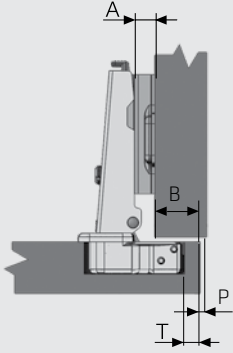
Cranking		Crank 18
DEFINITION		CODE
45 Axis		10100231
45 Axis Ø8 Dowel		101002311
45 Axis Ø10 Dowel		101002312
45 Axis Euro Screw		101002313
45 Axis Easy Fit		101002317
48 Axis		10100232
48 Axis Ø8 Dowel		101002321
48 Axis Ø10 Dowel		101002322
48 Axis Euro Screw		101002323
48 Axis Easy Fit		101002327
52 Axis		10100233
52 Axis Ø8 Dowel		101002331
52 Axis Ø10 Dowel		101002332
52 Axis Euro Screw		101002333
52 Axis Easy Fit		101002337

Screw Options	
Ø3,5x16 mm Chipboard Screw	
Euro Screw	
Ø8-10 mm Plastic Dowel	
Easy Fit	

Page Directions	
Mounting Plates	Page 156, 159
Mechanisms	Page 169-175
Distances	Page 176, 177
Decorative Covers	Page 178
Assembly	Page 184
Dimension Charts and Symbols	Page 186

Cranking

Crank 0

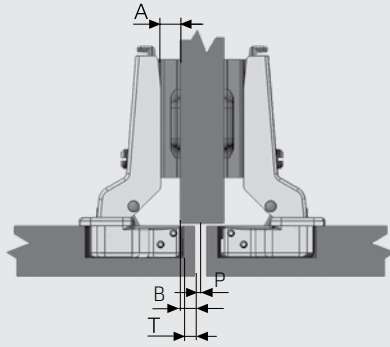


A - Mounting Plate

		5	7	9
B - Overlay	12			3
	13			4
	14		3	5
	15		4	6
	16	3	5	7
	17	4	6	
	18	5	7	
	19	6		
20	7			
T - Cup Distance				

Cranking

Crank 9

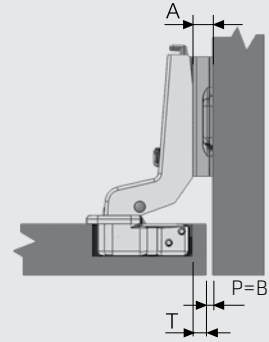


A - Mounting Plate

		5	7	9	
B - Overlay	3			3	
	4			4	
	5		3	5	
	6		4	6	
	7	3	5	7	
	8	4	6		
	9	5	7		
	10	6			
	11	7			
	T - Cup Distance				

Cranking

Crank 18



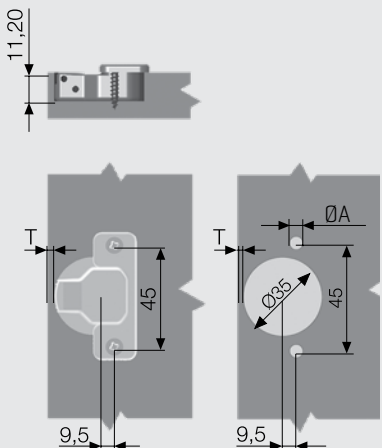
A - Mounting Plate

		5	7	9	
B - Overlay	6			3	
	5			4	
	4		3	5	
	3		4	6	
	2	3	5	7	
	1	4	6		
	0	5	7		
	T - Cup Distance				

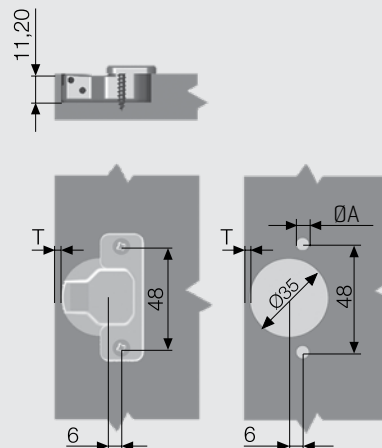
Min. Reveal for Doors [P]

K	16	17	18	19	20	21	22	23	24	25	26
T=3	0.72	0.98	1.29	1.65	2.08	2.59	3.21	3.93	4.72	5.54	6.39
T=4	0.69	0.94	1.23	1.57	1.97	2.44	2.98	3.62	4.34	5.12	5.93
T=5	0.67	0.91	1.18	1.51	1.88	2.31	2.81	3.39	4.04	4.76	5.52
T=6	0.65	0.87	1.14	1.45	1.80	2.21	2.67	3.19	3.79	4.45	5.17
T=7	0.62	0.84	1.10	1.40	1.73	2.11	2.55	3.04	3.59	4.20	4.87

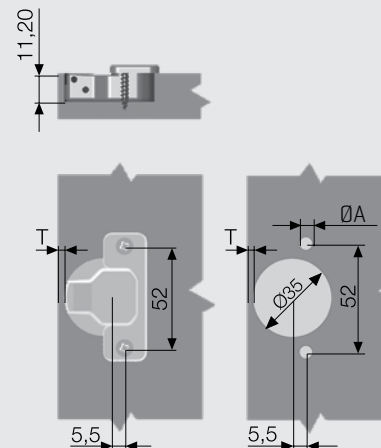
Cup Dimensions 45 mm



Cup Dimensions 48 mm



Cup Dimensions 52 mm



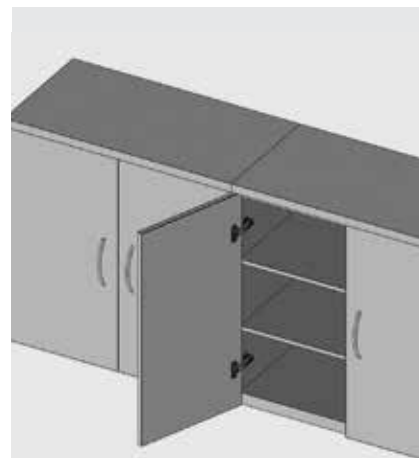
ØA [mm] = Chipboard Screw; Ø2,5x5 / Euro Screw; Ø5x12 / (Ø8-Ø10) Dowel; (Ø8-Ø10)x12, Easy Fit; Ø10x12

hinge systems

Star Track Hinge



- Opening Angle : 110°
- Cup Diameter : 35 mm
- Cup Depth : 11,2 mm
- Hinge Body : Steel
- Hinge Cup : Steel
- Crank Type : 0-9-18 mm
- Finish : Nickel
- Depth Adj. : ±3 mm
- Packaging : 250 Pieces
- Tool free and simple assembling and disassembling of the cabinet doors. Only one touch on the Track mechanism is enough to release and fix the cabinet doors.



Cranking	Crank 0
DEFINITION	CODE
45 Axis	101811
45 Axis Ø8 Dowel	101851
45 Axis Ø10 Dowel	101854
45 Axis Euro Screw	101816
45 Axis Easy Fit	1018541
48 Axis	101831
48 Axis Ø8 Dowel	101871
48 Axis Ø10 Dowel	101874
48 Axis Euro Screw	101826
48 Axis Easy Fit	1018542
52 Axis	1018113
52 Axis Ø8 Dowel	1018513
52 Axis Ø10 Dowel	1018543
52 Axis Euro Screw	1018163
52 Axis Easy Fit	1018544

Cranking	Crank 9
DEFINITION	CODE
45 Axis	101812
45 Axis Ø8 Dowel	101852
45 Axis Ø10 Dowel	101855
45 Axis Euro Screw	101818
45 Axis Easy Fit	1018551
48 Axis	101832
48 Axis Ø8 Dowel	101872
48 Axis Ø10 Dowel	101875
48 Axis Euro Screw	101828
48 Axis Easy Fit	1018552
52 Axis	1018123
52 Axis Ø8 Dowel	1018523
52 Axis Ø10 Dowel	1018553
52 Axis Euro Screw	1018183
52 Axis Easy Fit	1018554

Cranking	Crank 18
DEFINITION	CODE
45 Axis	101813
45 Axis Ø8 Dowel	101853
45 Axis Ø10 Dowel	101856
45 Axis Euro Screw	101834
45 Axis Easy Fit	1018561
48 Axis	101833
48 Axis Ø8 Dowel	101873
48 Axis Ø10 Dowel	101876
48 Axis Euro Screw	101836
48 Axis Easy Fit	1018562
52 Axis	1018133
52 Axis Ø8 Dowel	1018533
52 Axis Ø10 Dowel	1018563
52 Axis Euro Screw	1018343
52 Axis Easy Fit	1018564

Screw Options

Ø3,5x16 mm Chipboard Screw



Euro Screw



Ø8-10 mm Plastic Dowel



Easy Fit



Page Directions

Mounting Plates

Page 156, 159

Mechanisms

Page 169-175

Distances

Page 176, 177

Decorative Covers

Page 178

Assembly

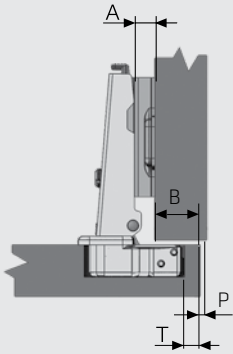
Page 184

Dimension Charts and Symbols

Page 186

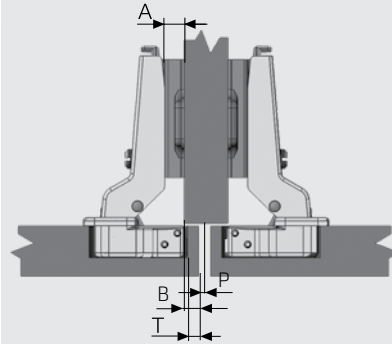
Cranking

Crank 0



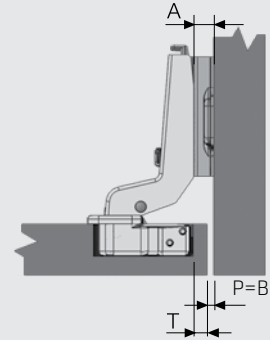
Cranking

Crank 9



Cranking

Crank 18



A - Mounting Plate

		5	7	9
B - Overlay	12			3
	13			4
	14		3	5
	15		4	6
	16	3	5	7
	17	4	6	
	18	5	7	
	19	6		
	20	7		
		T - Cup Distance		

A - Mounting Plate

		5	7	9	
B - Overlay	3			3	
	4			4	
	5		3	5	
	6		4	6	
	7	3	5	7	
	8	4	6		
	9	5	7		
	10	6			
	11	7			
			T - Cup Distance		

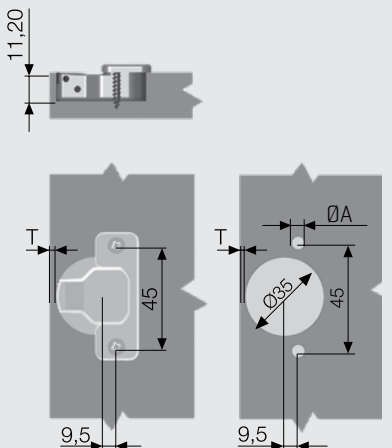
A - Mounting Plate

		5	7	9	
B - Overlay	6			3	
	5			4	
	4		3	5	
	3		4	6	
	2	3	5	7	
	1	4	6		
	0	5	7		
			T - Cup Distance		

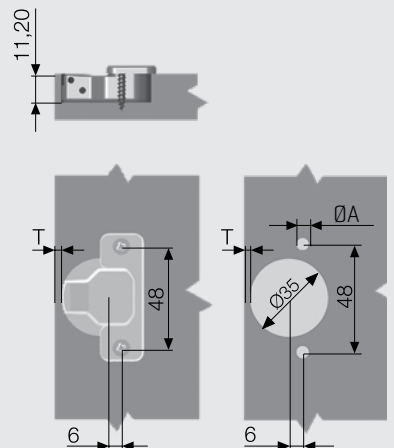
Min. Reveal for Doors [P]

K	16	17	18	19	20	21	22	23	24	25	26
T=3	0.72	0.98	1.29	1.65	2.08	2.59	3.21	3.93	4.72	5.54	6.39
T=4	0.69	0.94	1.23	1.57	1.97	2.44	2.98	3.62	4.34	5.12	5.93
T=5	0.67	0.91	1.18	1.51	1.88	2.31	2.81	3.39	4.04	4.76	5.52
T=6	0.65	0.87	1.14	1.45	1.80	2.21	2.67	3.19	3.79	4.45	5.17
T=7	0.62	0.84	1.10	1.40	1.73	2.11	2.55	3.04	3.59	4.20	4.87

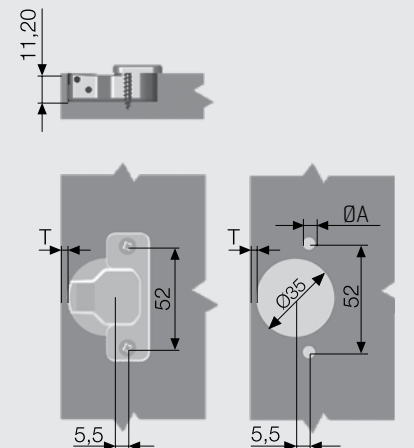
Cup Dimensions 45 mm



Cup Dimensions 48 mm



Cup Dimensions 52 mm



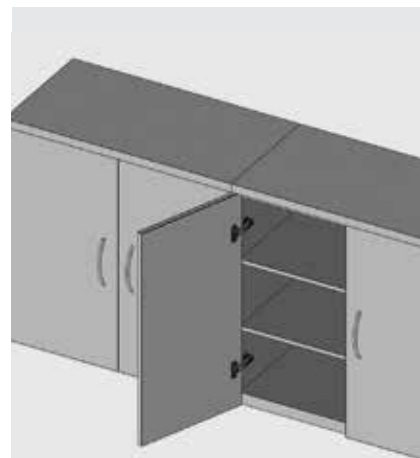
ØA [mm] = Chipboard Screw; Ø2,5x5 / Euro Screw; Ø5x12 / (Ø8-Ø10) Dowel; (Ø8-Ø10)x12, Easy Fit; Ø10x12

hinge systems

Star Track Push-Open Hinge without Spring






- Opening Angle : 110°
 - Cup Diameter : 35 mm
 - Cup Depth : 11,2 mm
 - Hinge Body : Steel
 - Hinge Cup : Steel
 - Crank Type : 0-9-18 mm
 - Finish : Nickel
 - Depth Adj. : ±3 mm
 - Packaging : 250 Pieces
- Tool free and simple assembling and disassembling of the cabinet doors. Only one touch on the Track mechanism is enough to release and fix the cabinet doors.



Cranking Crank 0	
Code List According to Cup Connection Types	
DEFINITION	CODE
45 Axis	10180041
45 Axis Ø8 Dowel	101800411
45 Axis Ø10 Dowel	101800412
45 Axis Euro Screw	101800413
48 Axis	10180042
48 Axis Ø8 Dowel	101800421
48 Axis Ø10 Dowel	101800422
48 Axis Euro Screw	101800423
52 Axis	10180043
52 Axis Ø8 Dowel	101800431
52 Axis Ø10 Dowel	101800432
52 Axis Euro Screw	101800433

Cranking Crank 9	
Code List According to Cup Connection Types	
DEFINITION	CODE
45 Axis	10180051
45 Axis Ø8 Dowel	101800511
45 Axis Ø10 Dowel	101800512
45 Axis Euro Screw	101800513
48 Axis	10180052
48 Axis Ø8 Dowel	101800521
48 Axis Ø10 Dowel	101800522
48 Axis Euro Screw	101800523
52 Axis	10180053
52 Axis Ø8 Dowel	101800531
52 Axis Ø10 Dowel	101800532
52 Axis Euro Screw	101800533

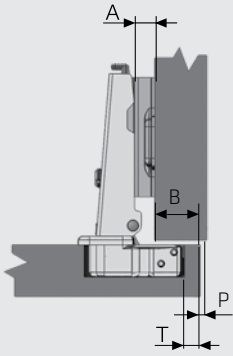
Cranking Crank 18	
Code List According to Cup Connection Types	
DEFINITION	CODE
45 Axis	10180061
45 Axis Ø8 Dowel	101800611
45 Axis Ø10 Dowel	101800612
45 Axis Euro Screw	101800613
48 Axis	10180062
48 Axis Ø8 Dowel	101800621
48 Axis Ø10 Dowel	101800622
48 Axis Euro Screw	101800623
52 Axis	10180063
52 Axis Ø8 Dowel	101800631
52 Axis Ø10 Dowel	101800632
52 Axis Euro Screw	101800633

Screw Options	
Ø3,5x16 mm Chipboard Screw	
Euro Screw	
Ø8-10 mm Plastic Dowel	

Page Directions	
Mounting Plates	Page 156, 159
Mechanisms	Page 169, 175
Distances	Page 176, 177
Decorative Covers	Page 178
Assembly	Page 184
Dimension Charts and Symbols	Page 186

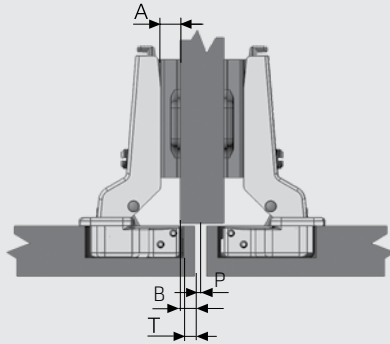
Cranking

Crank 0



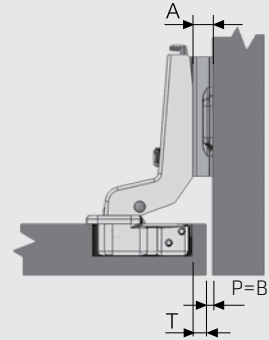
Cranking

Crank 9



Cranking

Crank 18



A - Mounting Plate

		5	7	9
B - Overlay	12			3
	13			4
	14		3	5
	15		4	6
	16	3	5	7
	17	4	6	
	18	5	7	
	19	6		
	20	7		
			T - Cup Distance	

A - Mounting Plate

		5	7	9	
B - Overlay	3			3	
	4			4	
	5		3	5	
	6		4	6	
	7	3	5	7	
	8	4	6		
	9	5	7		
	10	6			
	11	7			
			T - Cup Distance		

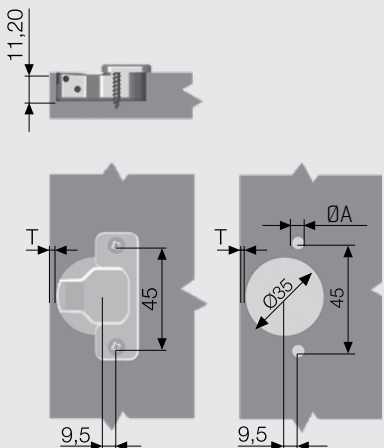
A - Mounting Plate

		5	7	9	
B - Overlay	6			3	
	5			4	
	4		3	5	
	3		4	6	
	2	3	5	7	
	1	4	6		
	0	5	7		
			T - Cup Distance		

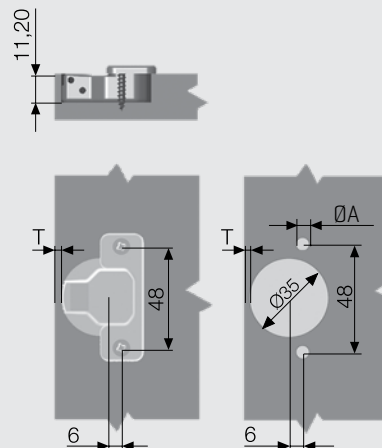
Min. Reveal for Doors [P]

K	16	17	18	19	20	21	22	23	24	25	26
T=3	0.72	0.98	1.29	1.65	2.08	2.59	3.21	3.93	4.72	5.54	6.39
T=4	0.69	0.94	1.23	1.57	1.97	2.44	2.98	3.62	4.34	5.12	5.93
T=5	0.67	0.91	1.18	1.51	1.88	2.31	2.81	3.39	4.04	4.76	5.52
T=6	0.65	0.87	1.14	1.45	1.80	2.21	2.67	3.19	3.79	4.45	5.17
T=7	0.62	0.84	1.10	1.40	1.73	2.11	2.55	3.04	3.59	4.20	4.87

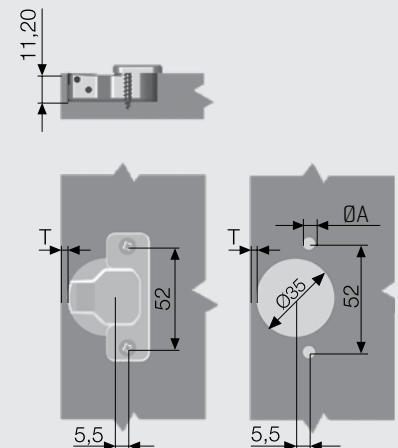
Cup Dimensions 45 mm



Cup Dimensions 48 mm



Cup Dimensions 52 mm



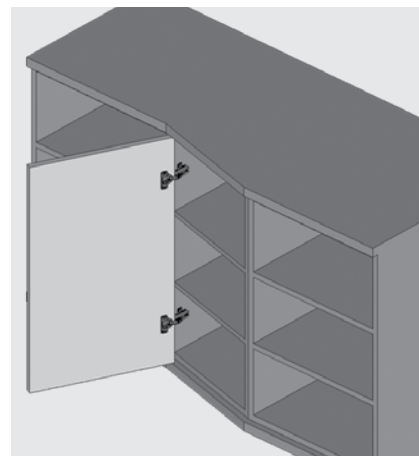
ØA [mm] = Chipboard Screw; Ø2,5x5 / Euro Screw; Ø5x12 / {Ø8-Ø10} Dowel; {Ø8-Ø10}x12

hinge systems

Star Track Hinge 15°



- Opening Angle : 110°
- Cup Diameter : 35 mm
- Cup Depth : 11,2 mm
- Hinge Body : Zamac
- Hinge Cup : Steel
- Finish : Nickel
- Depth Adj. : ±3 mm
- Packaging : 125 Pieces
- Tool free and simple assembling and disassembling of the cabinet doors. Only one touch on the Track mechanism is enough to release and fix the cabinet doors.



Star Track 15°

Code List According to Cup Connection Types

DEFINITION	CODE
45 Axis	1012204111
45 Axis Ø8 Dowel	1012204511
45 Axis Ø10 Dowel	1012204611
45 Axis Euro Screw	1012204211
48 Axis	1012304111
48 Axis Ø8 Dowel	1012304511
48 Axis Ø10 Dowel	1012304611
48 Axis Euro Screw	1012304211
52 Axis	1012404111
52 Axis Ø8 Dowel	1012404511
52 Axis Ø10 Dowel	1012404611
52 Axis Euro Screw	1012404211

Page Directions

Mounting Plates	Page 156, 159
Distances	Page 176, 177
Decorative Covers	Page 178
Assembly	Page 184
Dimension Charts and Symbols	Page 186

Screw Options

Ø3,5x16 mm Chipboard Screw



Euro Screw

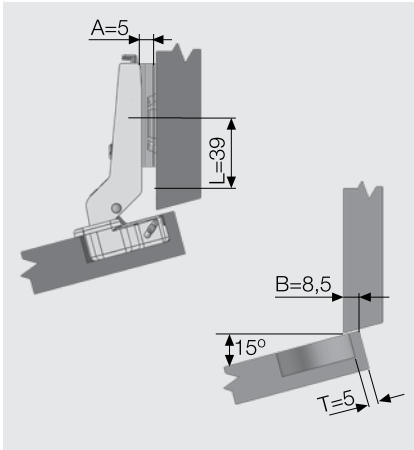


Ø8-10 mm Plastic Dowel

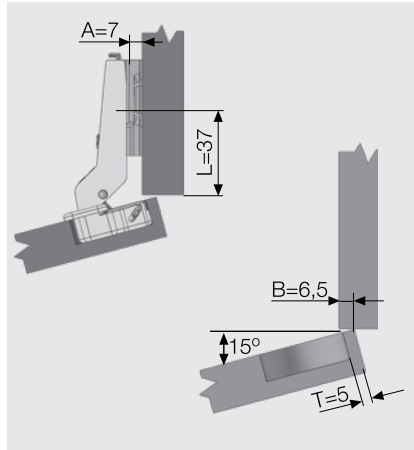


Application Alternatives

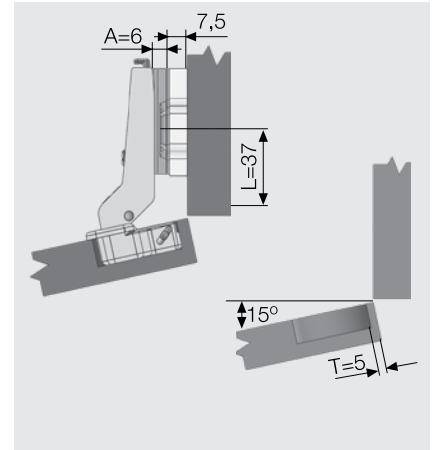
If angles of a width between $[+5^\circ]$ and $[-5^\circ]$ are needed to be applied, please refer to Page 176.



T=5 L=39 A=5

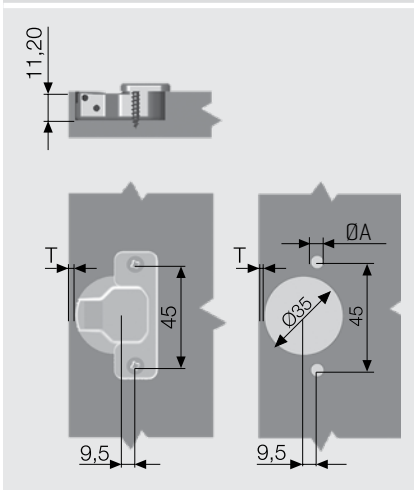


T=5 L=37 A=7

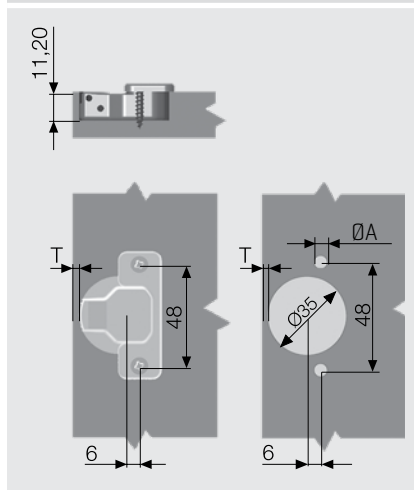


T=5 L=37 A=6+7,5

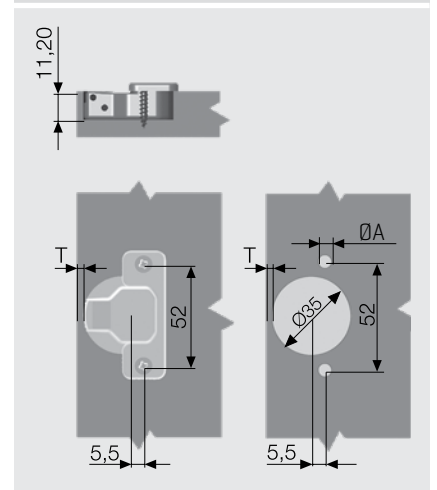
Cup Dimensions 45 mm



Cup Dimensions 48 mm



Cup Dimensions 52 mm



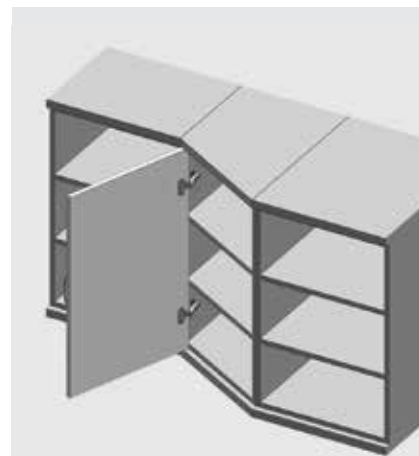
$\text{Ø}A$ [mm] = Chipboard Screw; $\text{Ø}2,5 \times 5$ / Euro Screw; $\text{Ø}5 \times 12$ / $(\text{Ø}8-\text{Ø}10)$ Dowel; $(\text{Ø}8-\text{Ø}10) \times 12$

hinge systems

Star Track Hinge 30°



- Opening Angle : 110°
- Cup Diameter : 35 mm
- Cup Depth : 11,2 mm
- Hinge Body : Zamac
- Hinge Cup : Steel
- Finish : Nickel
- Depth Adj. : ±3 mm
- Packaging : 125 Pieces
- Tool free and simple assembling and disassembling of the cabinet doors. Only one touch on the Track mechanism is enough to release and fix the cabinet doors.



Star Track 30°

Code List According to Cup Connection Types

DEFINITION	CODE
45 Axis	1018051
45 Axis Ø8 Dowel	1018401
45 Axis Ø10 Dowel	1018491
45 Axis Euro Screw	1018501
48 Axis	1018052
48 Axis Ø8 Dowel	1018402
48 Axis Ø10 Dowel	1018492
48 Axis Euro Screw	1018502
52 Axis	1018053
52 Axis Ø8 Dowel	1018403
52 Axis Ø10 Dowel	1018493
52 Axis Euro Screw	1018503

Star Track Push-Open 30° without Spring

Code List According to Cup Connection Types

DEFINITION	CODE
45 Axis	101800811
45 Axis Ø8 Dowel	1018008111
45 Axis Ø10 Dowel	1018008112
45 Axis Euro Screw	1018008113
48 Axis	101800821
48 Axis Ø8 Dowel	1018008211
48 Axis Ø10 Dowel	1018008212
48 Axis Euro Screw	1018008213
52 Axis	101800831
52 Axis Ø8 Dowel	1018008311
52 Axis Ø10 Dowel	1018008312
52 Axis Euro Screw	1018008313

Screw Options

Ø3,5x16 mm Chipboard Screw



Euro Screw



Ø8-10 mm Plastic Dowel



Page Directions

Mounting Plates

Page 156, 159

Distances

Page 176, 177

Decorative Covers

Page 178

Assembly

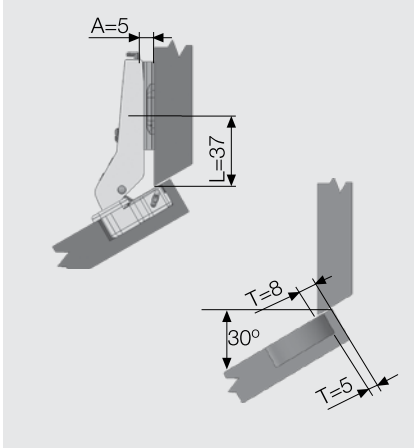
Page 184

Dimension Charts and Symbols

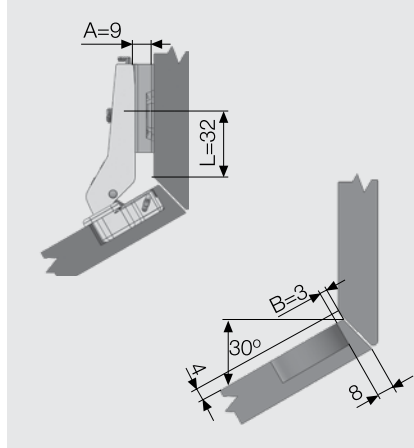
Page 186

Application Alternatives

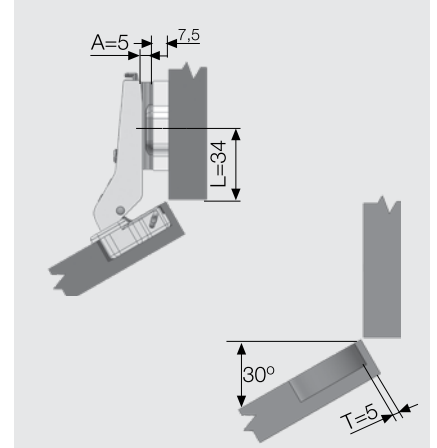
If angles of a width between $[+5^\circ]$ and $[-5^\circ]$ are needed to be applied, please refer to Page 176.



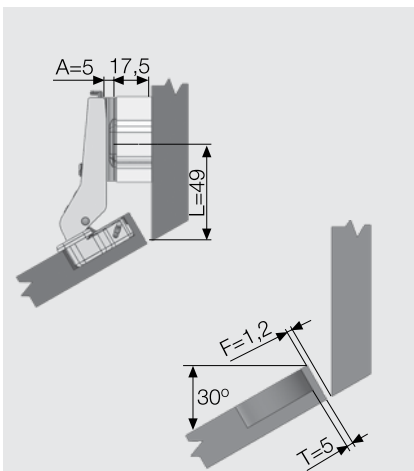
T=5 L=37 A=5



T=3 L=32 A=9

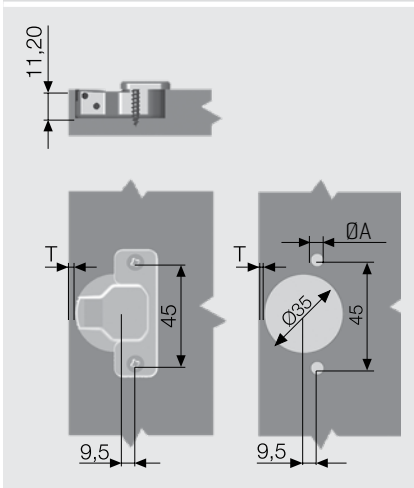


T=5 L=34 A=5+7,5

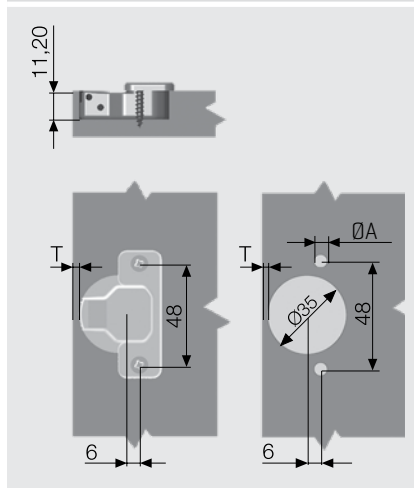


T=5 L=49 A=5+17,5

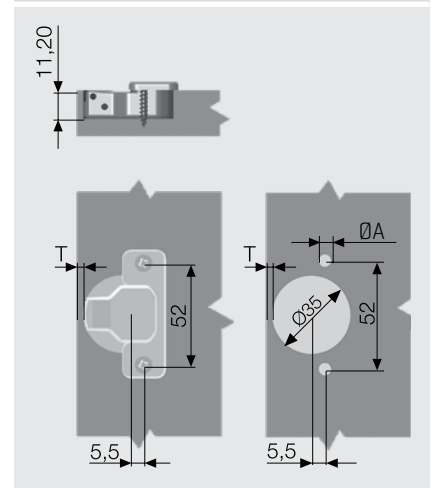
Cup Dimensions 45 mm



Cup Dimensions 48 mm



Cup Dimensions 52 mm



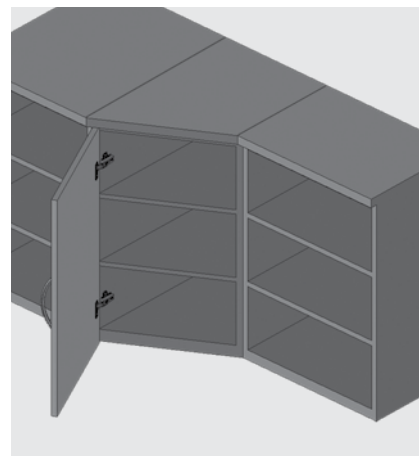
ØA [mm] = Chipboard Screw; Ø2,5x5 / Euro Screw; Ø5x12 / (Ø8-Ø10) Dowel; (Ø8-Ø10)x12

hinge systems

Star Track Hinge -30°



- Opening Angle : 110°
- Cup Diameter : 35 mm
- Cup Depth : 11,2 mm
- Hinge Body : Zamac
- Hinge Cup : Steel
- Finish : Nickel
- Depth Adj. : ±3 mm
- Packaging : 125 Pieces
- Tool free and simple assembling and disassembling of the cabinet doors. Only one touch on the Track mechanism is enough to release and fix the cabinet doors.



Star Track -30°

Code List According to Cup Connection Types

DEFINITION	CODE
45 Axis	1018071
45 Axis Ø8 Dowel	1018681
45 Axis Ø10 Dowel	1018691
45 Axis Euro Screw	1018701
48 Axis	1018072
48 Axis Ø8 Dowel	1018682
48 Axis Ø10 Dowel	1018692
48 Axis Euro Screw	1018702
52 Axis	1018073
52 Axis Ø8 Dowel	1018683
52 Axis Ø10 Dowel	1018693
52 Axis Euro Screw	1018703

Star Track Push-Open -30° without Spring

Code List According to Cup Connection Types

DEFINITION	CODE
45 Axis	101800812
45 Axis Ø8 Dowel	1018008121
45 Axis Ø10 Dowel	1018008122
45 Axis Euro Screw	1018008123
48 Axis	101800822
48 Axis Ø8 Dowel	1018008221
48 Axis Ø10 Dowel	1018008222
48 Axis Euro Screw	1018008223
52 Axis	101800832
52 Axis Ø8 Dowel	1018008321
52 Axis Ø10 Dowel	1018008322
52 Axis Euro Screw	1018008323

Screw Options

Ø3,5x16 mm Chipboard Screw



Euro Screw



Ø8-10 mm Plastic Dowel



Page Directions

Mounting Plates

Page 156, 159

Distances

Page 176, 177

Decorative Covers

Page 178

Assembly

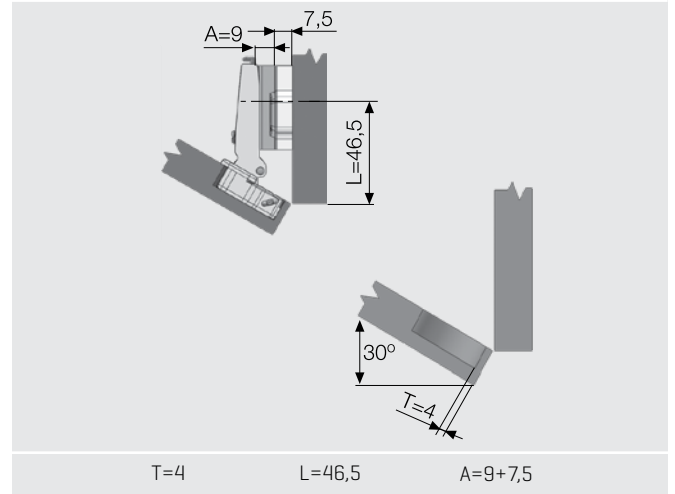
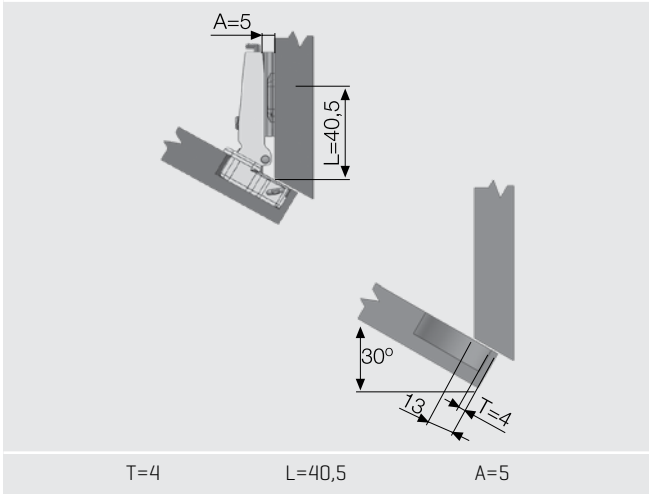
Page 184

Dimension Charts and Symbols

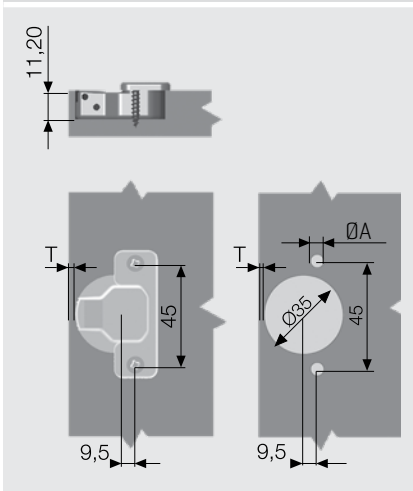
Page 186

Application Alternatives

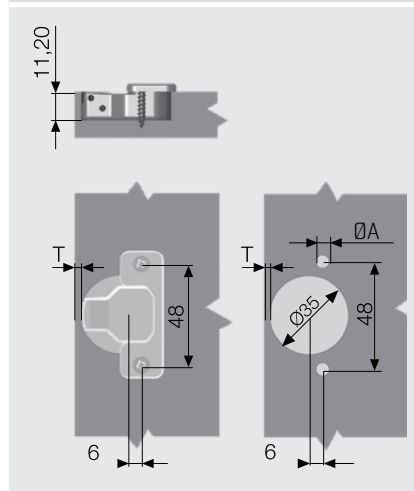
If angles of a width between $[+5^\circ]$ and $[-5^\circ]$ are needed to be applied, please refer to Page 176.



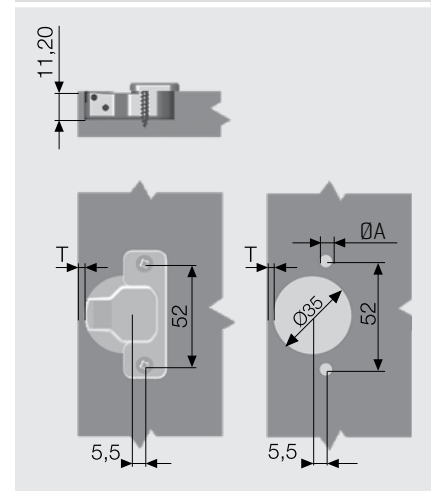
Cup Dimensions 45 mm



Cup Dimensions 48 mm



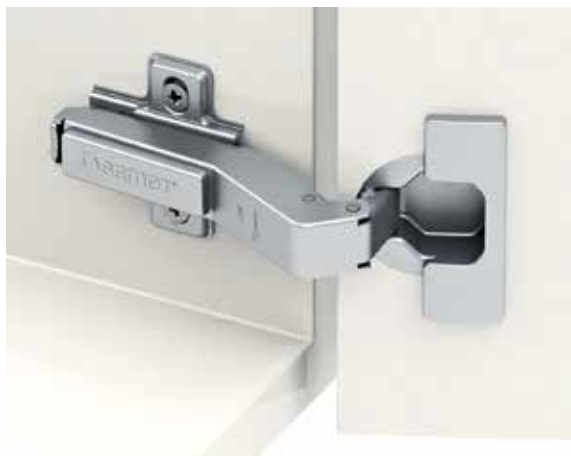
Cup Dimensions 52 mm



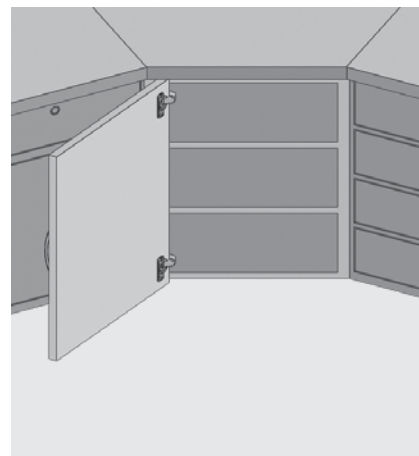
ØA [mm] = Chipboard Screw; Ø2,5x5 / Euro Screw; Ø5x12 / (Ø8-Ø10) Dowel; (Ø8-Ø10)x12

hinge systems

Star Track Hinge 45°



- Opening Angle : 110°
- Cup Diameter : 35 mm
- Cup Depth : 11,2 mm
- Hinge Body : Steel
- Hinge Cup : Steel
- Finish : Nickel
- Depth Adj. : ±3 mm
- Packaging : 250 Pieces
- Tool free and simple assembling and disassembling of the cabinet doors. Only one touch on the Track mechanism is enough to release and fix the cabinet doors.



Star Track 45°

Code List According to Cup Connection Types

DEFINITION	
45 Axis	
45 Axis Ø8 Dowel	
45 Axis Ø10 Dowel	
45 Axis Euro Screw	
48 Axis	
48 Axis Ø8 Dowel	
48 Axis Ø10 Dowel	
48 Axis Euro Screw	
52 Axis	
52 Axis Ø8 Dowel	
52 Axis Ø10 Dowel	
52 Axis Euro Screw	

Star Track Push-Open 45° without Spring

Code List According to Cup Connection Types

DEFINITION	CODE
45 Axis	101800813
45 Axis Ø8 Dowel	1018008131
45 Axis Ø10 Dowel	1018008132
45 Axis Euro Screw	1018008133
48 Axis	101800823
48 Axis Ø8 Dowel	1018008231
48 Axis Ø10 Dowel	1018008232
48 Axis Euro Screw	1018008233
52 Axis	101800833
52 Axis Ø8 Dowel	1018008331
52 Axis Ø10 Dowel	1018008332
52 Axis Euro Screw	1018008333

Screw Options

Ø3,5x16 mm Chipboard Screw



Euro Screw



Ø8-10 mm Plastic Dowel



Page Directions

Mounting Plates

Page 156, 159

Distances

Page 176, 177

Decorative Covers

Page 178

Assembly

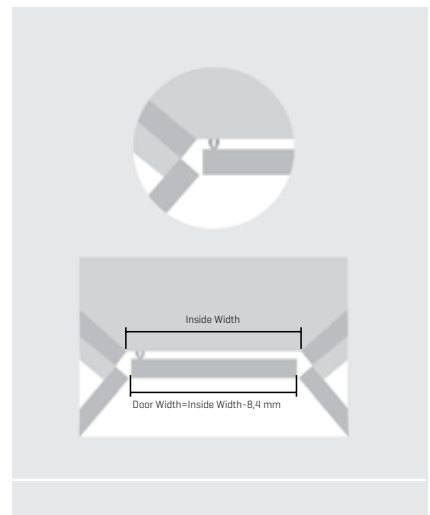
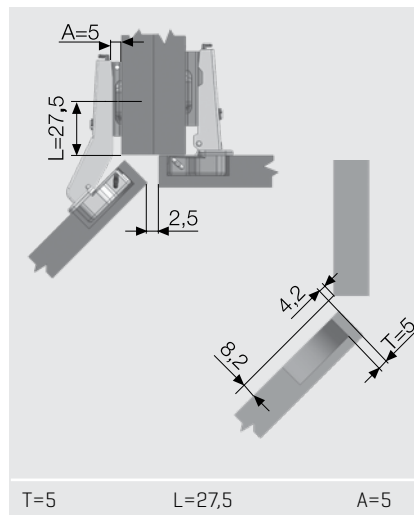
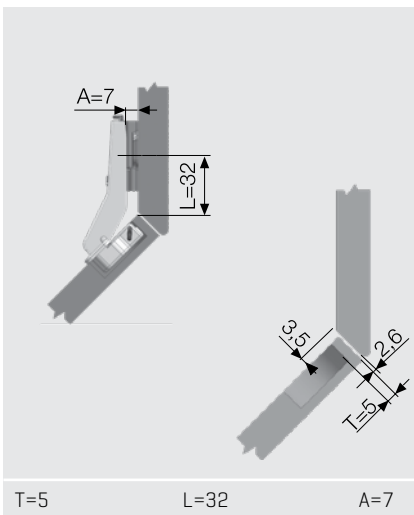
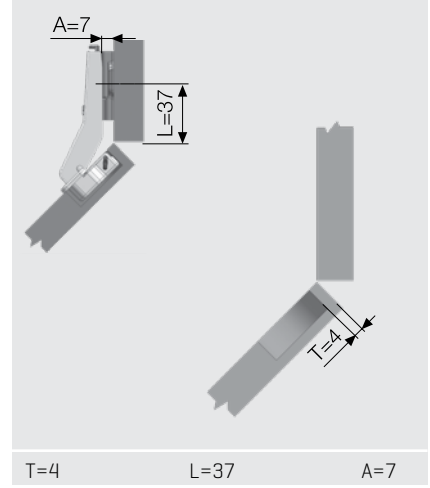
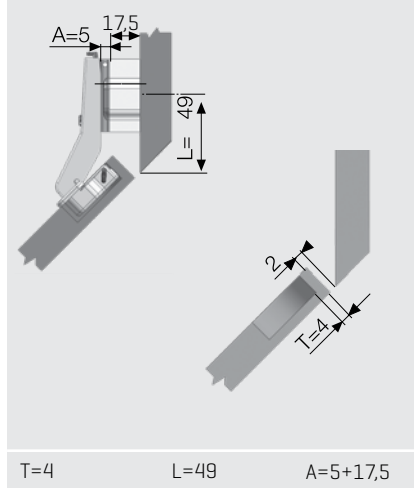
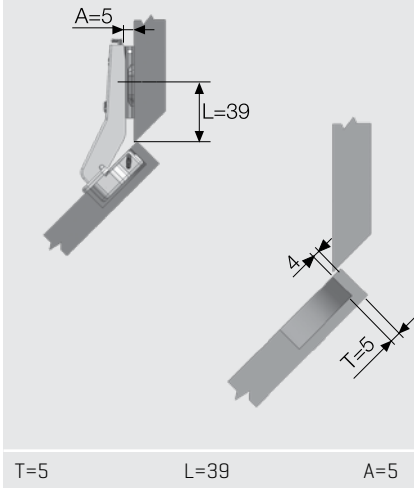
Page 184

Dimension Charts and Symbols

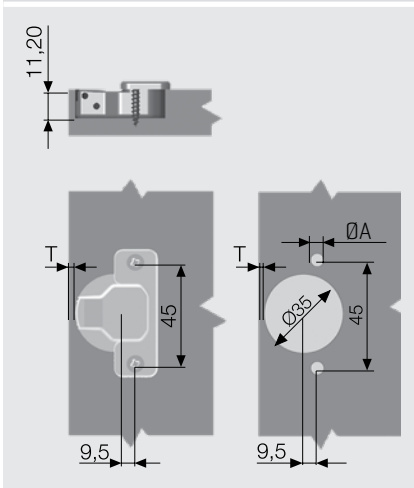
Page 186

Application Alternatives

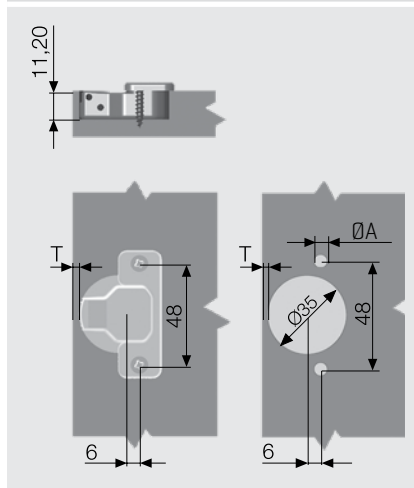
If angles of a width between $[+5^\circ]$ and $[-5^\circ]$ are needed to be applied, please refer to Page 176.



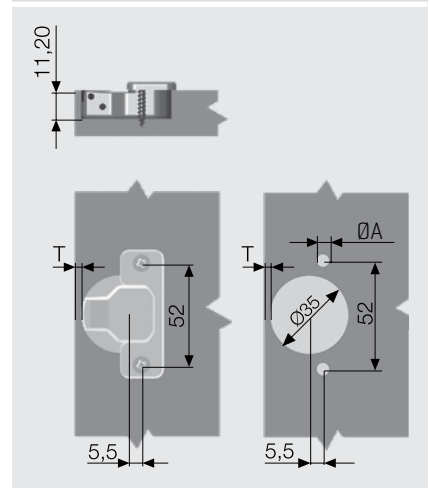
Cup Dimensions 45 mm



Cup Dimensions 48 mm



Cup Dimensions 52 mm



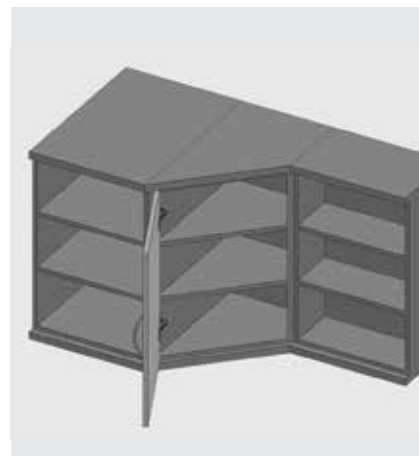
$\varnothing A$ [mm] = Chipboard Screw; $\varnothing 2,5 \times 5$ / Euro Screw; $\varnothing 5 \times 12$ / $\{\varnothing 8 - \varnothing 10\}$ Dowel; $\{\varnothing 8 - \varnothing 10\} \times 12$

hinge systems

Star Track Hinge -45°



- Opening Angle : 110°
- Cup Diameter : 35 mm
- Cup Depth : 11,2 mm
- Hinge Body : Zamac
- Hinge Cup : Steel
- Finish : Nickel
- Depth Adj. : ±3 mm
- Packaging : 250 Pieces
- Tool free and simple assembling and disassembling of the cabinet doors. Only one touch on the Track mechanism is enough to release and fix the cabinet doors.



Star Track -45°

Code List According to Cup Connection Types

DEFINITION	CODE
45 Axis	1018081
45 Axis Ø8 Dowel	1018861
45 Axis Ø10 Dowel	1018871
45 Axis Euro Screw	1018881
48 Axis	1018082
48 Axis Ø8 Dowel	1018862
48 Axis Ø10 Dowel	1018872
48 Axis Euro Screw	1018882
52 Axis	1018083
52 Axis Ø8 Dowel	1018863
52 Axis Ø10 Dowel	1018873
52 Axis Euro Screw	1018883

Star Track Push-Open -45° Without Spring

Code List According to Cup Connection Types

DEFINITION	CODE
45 Axis	101800814
45 Axis Ø8 Dowel	1018008141
45 Axis Ø10 Dowel	1018008142
45 Axis Euro Screw	1018008143
48 Axis	101800824
48 Axis Ø8 Dowel	1018008241
48 Axis Ø10 Dowel	1018008242
48 Axis Euro Screw	1018008243
52 Axis	101800834
52 Axis Ø8 Dowel	1018008341
52 Axis Ø10 Dowel	1018008342
52 Axis Euro Screw	1018008343

Screw Options

Ø3,5x16 mm Chipboard Screw



Euro Screw



Ø8-10 mm Plastic Dowel



Page Directions

Mounting Plates

Page 156, 159

Distances

Page 176, 177

Decorative Covers

Page 178

Assembly

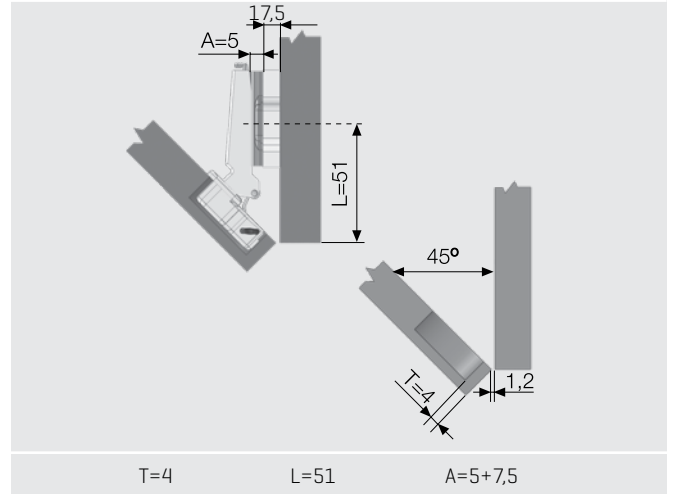
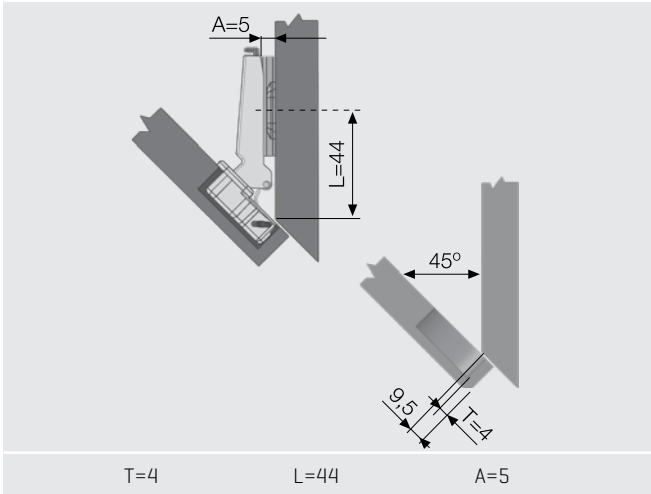
Page 184

Dimension Charts and Symbols

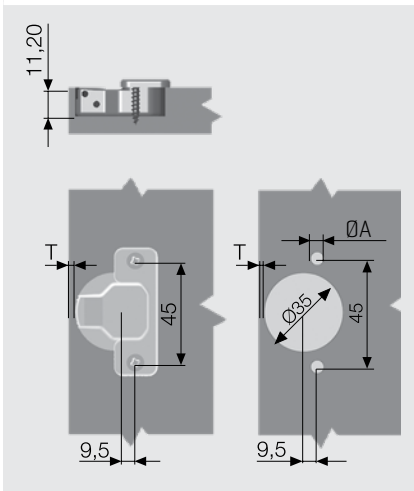
Page 186

Application Alternatives

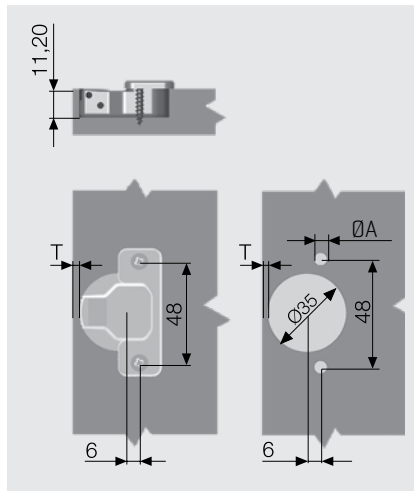
If angles of a width between $[+5^\circ]$ and $[-5^\circ]$ are needed to be applied, please refer to Page 176.



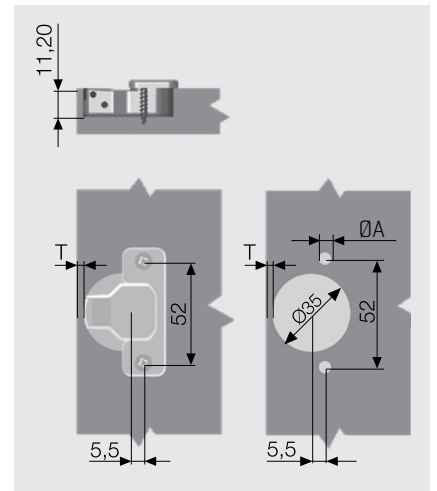
Cup Dimensions 45 mm



Cup Dimensions 48 mm



Cup Dimensions 52 mm



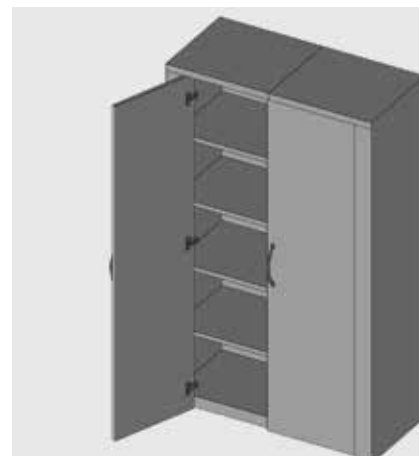
ØA [mm] = Chipboard Screw; Ø2,5x5 / Euro Screw; Ø5x12 / (Ø8-Ø10) Dowel; (Ø8-Ø10)x12

hinge systems

Star Track Hinge 90°



- Opening Angle : 110°
- Cup Diameter : 35 mm
- Cup Depth : 11,2 mm
- Hinge Body : Zamac
- Hinge Cup : Steel
- Finish : Nickel
- Depth Adj. : ±3 mm
- Packaging : 250 Pieces
- Tool free and simple assembling and disassembling of the cabinet doors. Only one touch on the Track mechanism is enough to release and fix the cabinet doors.



Star Track 90°

Code List According to Cup Connection Types

DEFINITION	CODE
45 Axis	101815
45 Axis Ø8 Dowel	101838
45 Axis Ø10 Dowel	101839
45 Axis Euro Screw	101859
48 Axis	101825
48 Axis Ø8 Dowel	101847
48 Axis Ø10 Dowel	101848
48 Axis Euro Screw	101898
52 Axis	1018153
52 Axis Ø8 Dowel	1018383
52 Axis Ø10 Dowel	1018393
52 Axis Euro Screw	1018593

Star Track Push-Open 90° without Spring

Code List According to Cup Connection Types

DEFINITION	CODE
45 Axis	101800815
45 Axis Ø8 Dowel	1018008151
45 Axis Ø10 Dowel	1018008152
45 Axis Euro Screw	1018008153
48 Axis	101800825
48 Axis Ø8 Dowel	1018008251
48 Axis Ø10 Dowel	1018008252
48 Axis Euro Screw	1018008253
52 Axis	101800835
52 Axis Ø8 Dowel	1018008351
52 Axis Ø10 Dowel	1018008352
52 Axis Euro Screw	1018008353

Screw Options

Ø3,5x16 mm Chipboard Screw



Euro Screw



Ø8-10 mm Plastic Dowel



Page Directions

Mounting Plates

Page 156, 159

Distances

Page 176, 177

Decorative Covers

Page 178

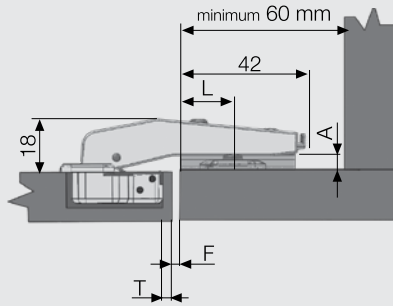
Assembly

Page 184

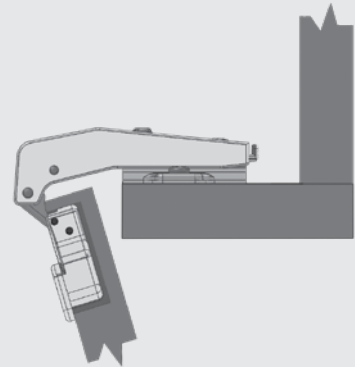
Dimension Charts and Symbols

Page 186

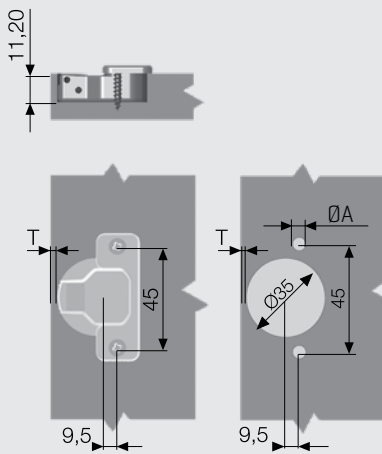
Application Alternatives



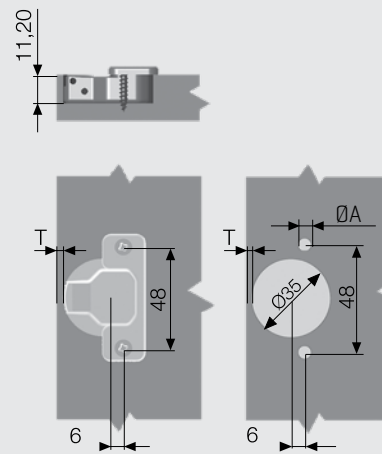
T=3	L=19	A=5	F=2
T=4	L=19	A=5	F=1



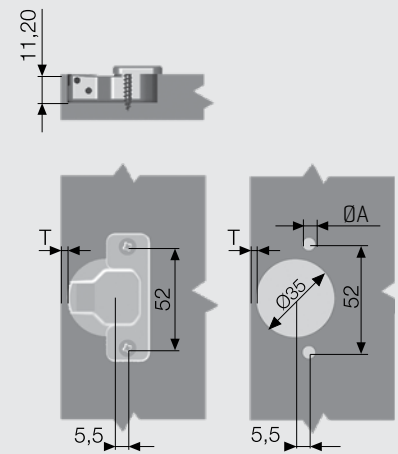
Cup Dimensions 45 mm



Cup Dimensions 48 mm



Cup Dimensions 52 mm



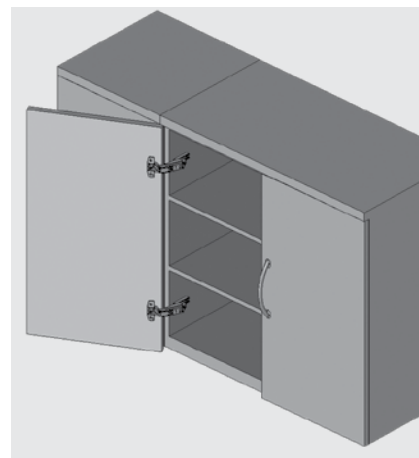
ØA [mm] = Chipboard Screw; Ø2,5x5 / Euro Screw; Ø5x12 / [Ø8-Ø10] Dowel; [Ø8-Ø10]x12

hinge systems

165° Track Hinge System



- Opening Angle : 165°
- Cup Diameter : 35 mm
- Cup Depth : 11,3 mm
- Hinge Body : Zamac+Steel
- Hinge Cup : Steel
- Crank Type : 0-9-16 mm
- Finish : Nickel
- Depth Adj. : ±3 mm
- Packaging : 100 Pieces
- Door Thickness : 14-26 mm
- Tool free and simple assembling and disassembling of the cabinet doors.



Cranking Crank 0	
Code List According to Cup Connection Types	
DEFINITION	CODE
45 Axis	1019841
45 Axis Ø8 Dowel	101984102
45 Axis Ø10 Dowel	101984103
48 Axis	1019842
48 Axis Ø8 Dowel	101984202
48 Axis Ø10 Dowel	101984203
52 Axis	1019843
52 Axis Ø8 Dowel	101984302
52 Axis Ø10 Dowel	101984303

Cranking Crank 9	
Code List According to Cup Connection Types	
DEFINITION	CODE
45 Axis	1019851
45 Axis Ø8 Dowel	101985102
45 Axis Ø10 Dowel	101985103
48 Axis	1019852
48 Axis Ø8 Dowel	101985202
48 Axis Ø10 Dowel	101985203
52 Axis	1019853
52 Axis Ø8 Dowel	101985302
52 Axis Ø10 Dowel	101985303

Cranking Crank 16	
Code List According to Cup Connection Types	
DEFINITION	CODE
45 Axis	1019861
45 Axis Ø8 Dowel	101986102
45 Axis Ø10 Dowel	101986103
48 Axis	1019862
48 Axis Ø8 Dowel	101986202
48 Axis Ø10 Dowel	101986203
52 Axis	1019863
52 Axis Ø8 Dowel	101986302
52 Axis Ø10 Dowel	101986303

Page Directions

Mounting Plates	Page 156, 159
Distances	Page 176, 177
Decorative Covers	Page 178
Assembly	Page 184
Dimension Charts and Symbols	Page 186
Safety Information	Page 185

Screw Options

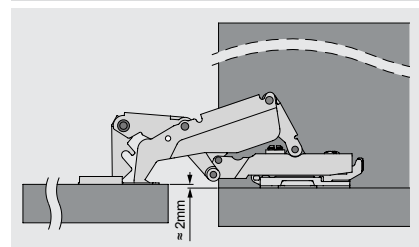
Ø3,5x16 mm Chipboard Screw



Ø8-10 mm Plastic Dowel

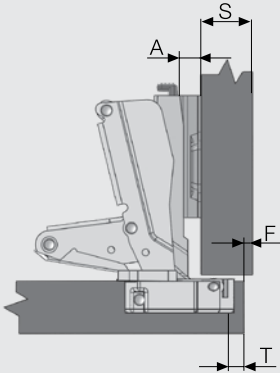


Application Dimension



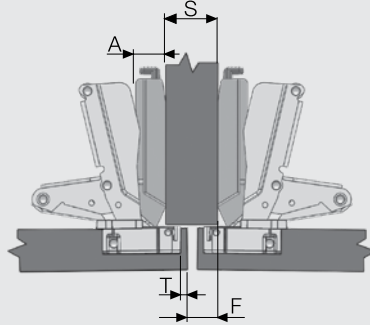
Cranking

Crank 0



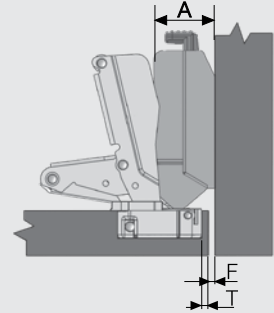
Cranking

Crank 9



Cranking

Crank 16



A - Mounting Plate

		0	2	4
B - Overlay	12			3
	13			4
	14		3	5
	15		4	6
	16	3	5	7
	17	4	6	
	18	5	7	
	19	6		
	20	7		
T - Cup Distance				

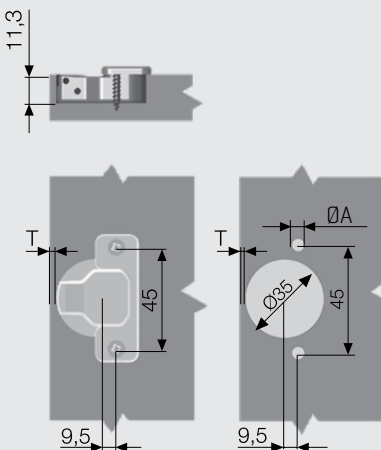
A - Mounting Plate

		0	2	4	
B - Overlay	3			3	
	4			4	
	5		3	5	
	6		4	6	
	7	3	5	7	
	8	4	6		
	9	5	7		
	10	6			
	11	7			
	T - Cup Distance				

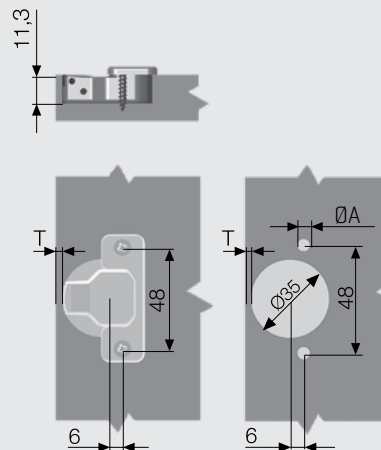
A - Mounting Plate

		0	2	4
B - Gap	4			3
	3			4
	2		3	5
	1		4	6
	0	3	5	7
T - Cup Distance				

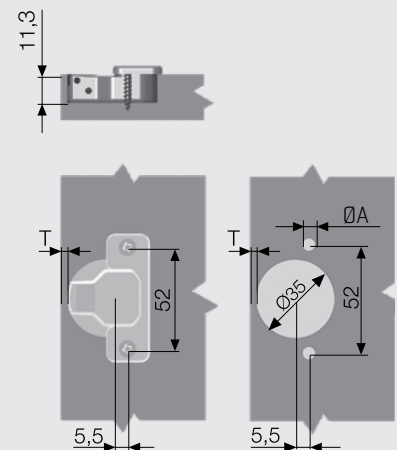
Cup Dimensions 45 mm



Cup Dimensions 48 mm



Cup Dimensions 52 mm



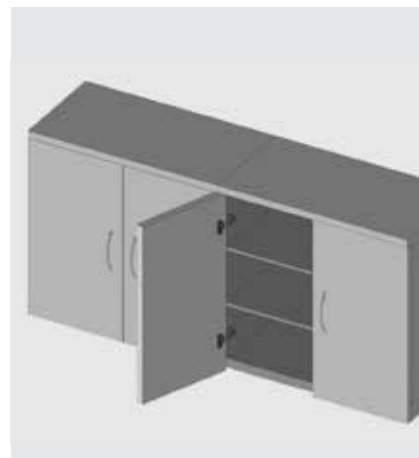
ØA [mm] = Chipboard Screw; Ø2,5x5 / (Ø8-Ø10) Dowel; (Ø8-Ø10)x12

hinge systems

Star Track Hinge for Thick Doors / Cabinet Side Hinge






- . Opening Angle : 95°
- . Cup Diameter : 40 mm
- . Cup Depth : 13.7 mm
- . Hinge Body : Steel
- . Hinge Cup : Steel
- . Crank Type : 0-7-16 mm
- . Finish : Nickel
- . Depth Adj. : ±3 mm
- . Overlay Adj. : ±4 mm
- . Door Thickness : 16-43 mm
- . Packaging : 125 Pieces



Cranking Crank 0	
Code List According to Cup Connection Types	
DEFINITION	CODE
52 Axis	101001711
52 Axis Ø8 Dowel	101001712
52 Axis Ø10 Dowel	101001713
52 Axis Euro Screw	101001714

Cranking Crank 7	
Code List According to Cup Connection Types	
DEFINITION	CODE
52 Axis	101001721
52 Axis Ø8 Dowel	101001722
52 Axis Ø10 Dowel	101001723
52 Axis Euro Screw	101001724

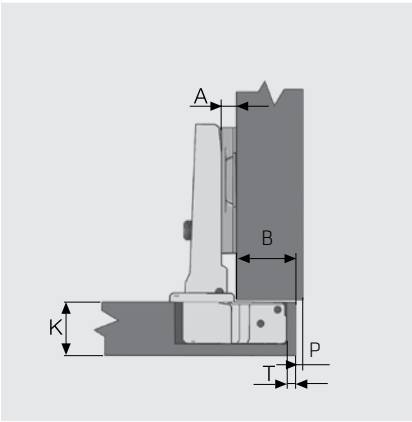
Cranking Crank 16	
Code List According to Cup Connection Types	
DEFINITION	CODE
52 Axis	101001731
52 Axis Ø8 Dowel	101001732
52 Axis Ø10 Dowel	101001733
52 Axis Euro Screw	101001734

Screw Options	
Ø3,5x16 mm Chipboard Screw	
Euro Screw	
Ø8-10 mm Plastic Dowel	

Page Directions	
Mounting Plates	Page 156, 159
Distances	Page 176, 177
Decorative Covers	Page 178
Assembly	Page 184
Dimension Charts and Symbols	Page 186

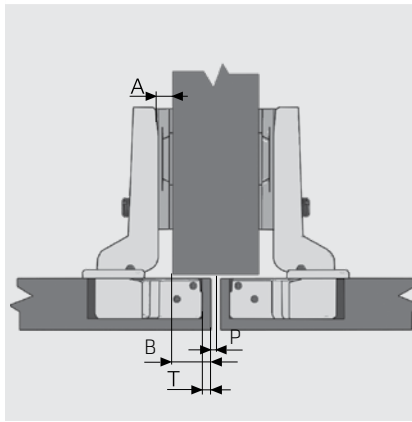
Cranking

Crank 0



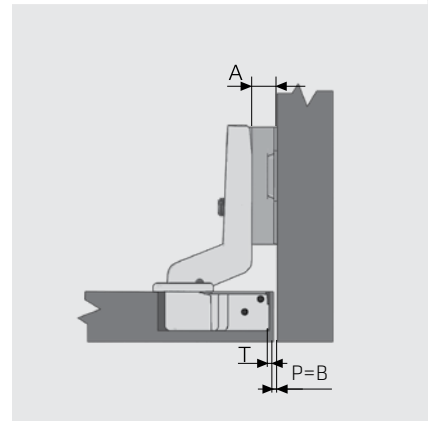
Cranking

Crank 7



Cranking

Crank 16



A - Mounting Plate

B - Overlay	A - Mounting Plate		
	5	7	9
17			3
18			4
19		3	5
20		4	6
21	3	5	7
22	4	6	8
23	5	7	9
24	6	8	10
25	7	9	
26	8	10	
27	9		
28	10		

T - Cup Distance

A - Mounting Plate

B - Overlay	A - Mounting Plate		
	5	7	5+7,5 Distance
6			3
7			4
8			5
9			6
10			7
11			8
12		3	9
13		4	10
14	3	5	
15	4	6	
16	5	7	
17	6	8	
18	7	9	
19	8	10	

T - Cup Distance

A - Mounting Plate

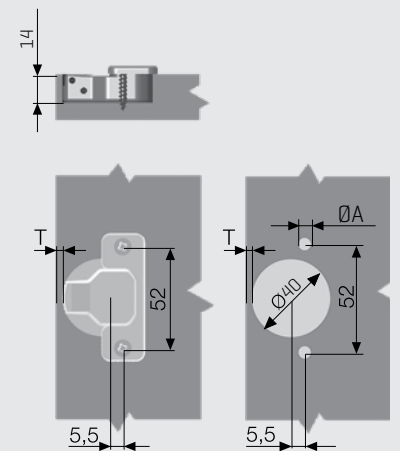
B - Overlay	A - Mounting Plate		
	5+7,5 Distance	7+7,5 Distance	9+7,5 Distance
6			3,5
5			4,5
4		3,5	5,5
3		4,5	
2	3,5	5,5	
1	4,5		
0	5,5		

T - Cup Distance

Min. Reveal for Doors [P]

K	T=3	T=4	T=5	T=6	T=7	T=8	T=9	T=10
24	0,9	0,9	0,9	0,9	0,9	0,9	0,9	0,8
25	1,1	1,1	1,1	1,1	1,1	1,0	1,0	1,0
26	1,3	1,3	1,3	1,3	1,2	1,2	1,2	1,2
27	1,5	1,5	1,5	1,4	1,4	1,4	1,4	1,4
28	1,7	1,7	1,7	1,7	1,6	1,6	1,6	1,6
29	2,0	1,9	1,9	1,9	1,9	1,8	1,8	1,8
30	2,2	2,2	2,2	2,1	2,1	2,1	2,0	2,0
31	2,5	2,5	2,4	2,4	2,4	2,3	2,3	2,3
32	3,1	2,8	2,7	2,7	2,6	2,6	2,5	2,5
33	4,0	3,4	3,0	3,0	2,9	2,9	2,8	2,8
34	4,9	4,3	3,7	3,3	3,2	3,2	3,1	3,1
35	5,9	5,2	4,6	4,0	3,6	3,5	3,4	3,4
36	6,9	6,2	5,5	4,9	4,4	3,9	3,8	3,7
37	7,8	7,1	6,4	5,8	5,2	4,7	4,3	4,1
38	8,8	8,1	7,4	6,7	6,1	5,6	5,1	4,6
39	9,7	9,0	8,3	7,7	7,1	6,5	6,0	5,5
40	10,7	10,0	9,3	8,6	8,0	7,4	6,8	5,8
41	11,7	10,9	10,2	9,5	8,9	8,3	7,7	7,2
42	12,7	11,9	11,2	10,5	9,8	9,2	8,6	8,1
43	13,6	12,9	12,1	11,4	10,8	10,1	9,5	9,0

Cup Dimensions 52 mm



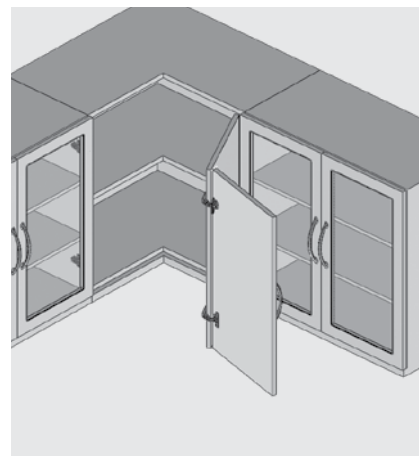
ØA [mm] = Chipboard Screw; Ø2,5x5 / Euro Screw; Ø5x12 / (Ø8-Ø10) Dowel; (Ø8-Ø10)x12

hinge systems

Star Track Folding Door Hinge



- Opening Angle : 160°
- Application with Star Track 165° Hinge and Star Hinge 165° is recommended.
- Cup Diameter : 35 mm
- Cup Depth : 11,2 mm
- Hinge Body : Zamac
- Hinge Cup : Steel
- Finish : Nickel
- Depth Adj. : ±3 mm
- Packaging : 250 Pieces
- Tool free and simple assembling and disassembling of the cabinet doors. Only one touch on the Track mechanism is enough to release and fix the cabinet doors.



Star Track Folding Door Hinge

Code List According to Cup Connection Types

DEFINITION	CODE
45 Axis	1017061
45 Axis Ø8 Dowel	1017901
45 Axis Ø10 Dowel	1017911
45 Axis Euro Screw	1017921
48 Axis	1017062
48 Axis Ø8 Dowel	1017902
48 Axis Ø10 Dowel	1017912
48 Axis Euro Screw	1017922
52 Axis	1017063
52 Axis Ø8 Dowel	1017903
52 Axis Ø10 Dowel	1017913
52 Axis Euro Screw	1017923

Page Directions

Mounting Plates	Page 156, 159
Distances	Page 176, 177
Decorative Covers	Page 178
Assembly	Page 184
Dimension Charts and Symbols	Page 186

Screw Options

Ø3,5x16 mm Chipboard Screw



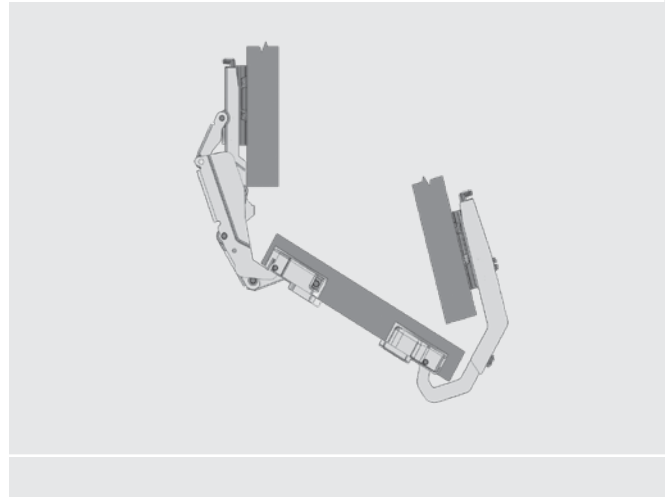
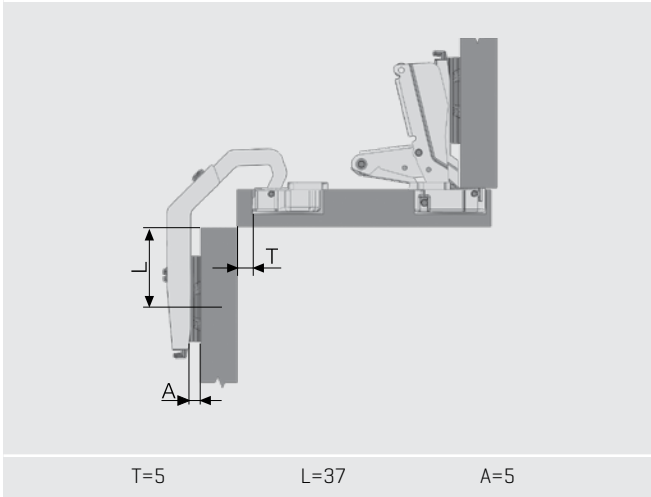
Euro Screw



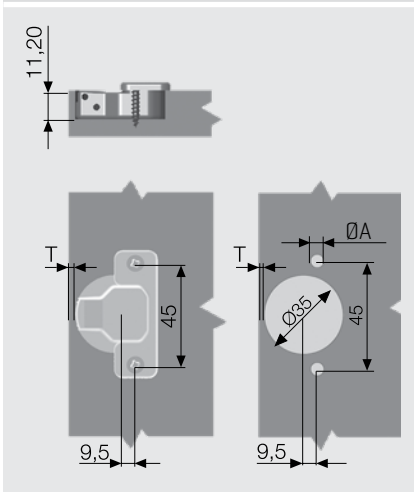
Ø8-10 mm Plastic Dowel



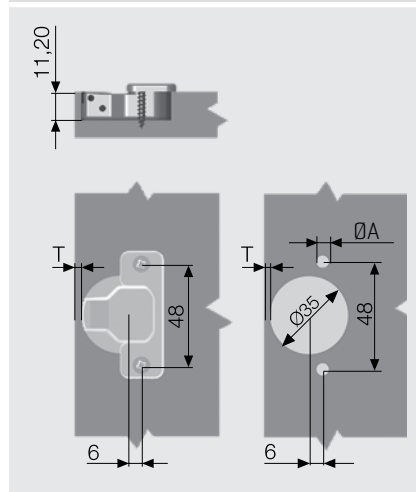
Application Alternatives



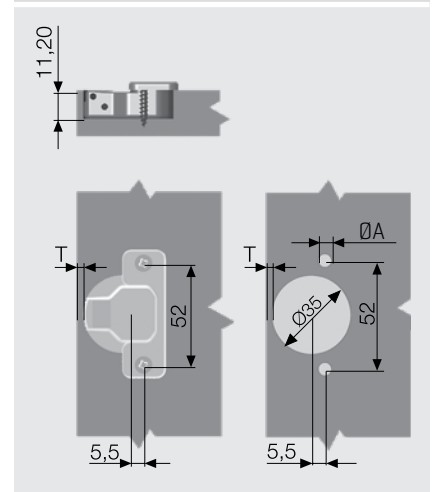
Cup Dimensions 45 mm



Cup Dimensions 48 mm



Cup Dimensions 52 mm



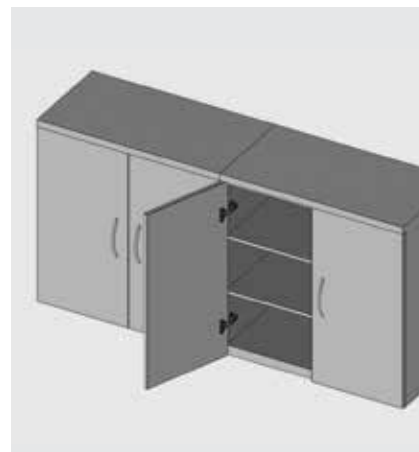
ØA [mm] = Chipboard Screw; Ø2,5x5 / Euro Screw; Ø5x12 / (Ø8-Ø10) Dowel; (Ø8-Ø10)x12

hinge systems

Star Hinge







- Opening Angle : 110°
- Cup Diameter : 35 mm
- Cup Depth : 11,2 mm
- Hinge Body : Steel
- Hinge Cup : Steel
- Crank Type : 0-9-18 mm
- Finish : Nickel
- Depth Adj. : ±3 mm
- Packaging : 250 Pieces



Cranking	Crank 0
DEFINITION	CODE
45 Axis	101711
45 Axis Ø8 Dowel	101751
45 Axis Ø10 Dowel	101754
45 Axis Euro Screw	101716
45 Axis Easy Fit	1017541
48 Axis	101731
48 Axis Ø8 Dowel	101771
48 Axis Ø10 Dowel	101774
48 Axis Euro Screw	101726
48 Axis Easy Fit	1017542
52 Axis	1017113
52 Axis Ø8 Dowel	1017513
52 Axis Ø10 Dowel	1017543
52 Axis Euro Screw	1017163
52 Axis Easy Fit	1017544

Cranking	Crank 9
DEFINITION	CODE
45 Axis	101712
45 Axis Ø8 Dowel	101752
45 Axis Ø10 Dowel	101755
45 Axis Euro Screw	101718
45 Axis Easy Fit	1017551
48 Axis	101732
48 Axis Ø8 Dowel	101772
48 Axis Ø10 Dowel	101775
48 Axis Euro Screw	101728
48 Axis Easy Fit	1017552
52 Axis	1017123
52 Axis Ø8 Dowel	1017523
52 Axis Ø10 Dowel	1017553
52 Axis Euro Screw	1017183
52 Axis Easy Fit	1017554

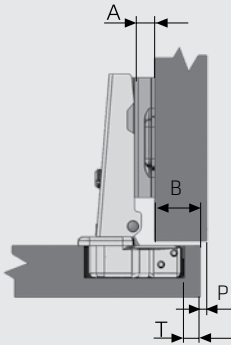
Cranking	Crank 18
DEFINITION	CODE
45 Axis	101713
45 Axis Ø8 Dowel	101753
45 Axis Ø10 Dowel	101756
45 Axis Euro Screw	101734
45 Axis Easy Fit	1017561
48 Axis	101733
48 Axis Ø8 Dowel	101773
48 Axis Ø10 Dowel	101776
48 Axis Euro Screw	101736
48 Axis Easy Fit	1017562
52 Axis	1017133
52 Axis Ø8 Dowel	1017533
52 Axis Ø10 Dowel	1017563
52 Axis Euro Screw	1017343
52 Axis Easy Fit	1017564

Screw Options	
Ø3,5x16 mm Chipboard Screw	
Euro Screw	
Ø8-10 mm Plastic Dowel	
Easy Fit	

Page Directions	
Mounting Plates	Page 164
Distances	Page 176, 177
Decorative Covers	Page 178
Assembly	Page 184
Dimension Charts and Symbols	Page 186

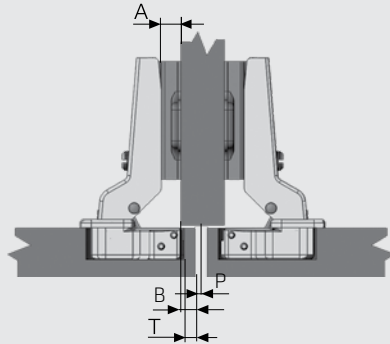
Cranking

Crank 0



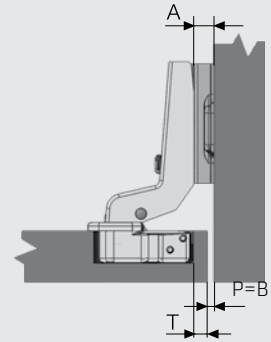
Cranking

Crank 9



Cranking

Crank 18



A - Mounting Plate

B - Overlay	12	5	7	9
	13			4
	14		3	5
	15		4	6
	16	3	5	7
	17	4	6	
	18	5	7	
	19	6		
	20	7		
	T - Cup Distance			

A - Mounting Plate

B - Overlay	3	5	7	9	
	4			4	
	5		3	5	
	6		4	6	
	7	3	5	7	
	8	4	6		
	9	5	7		
	10	6			
	11	7			
	T - Cup Distance				

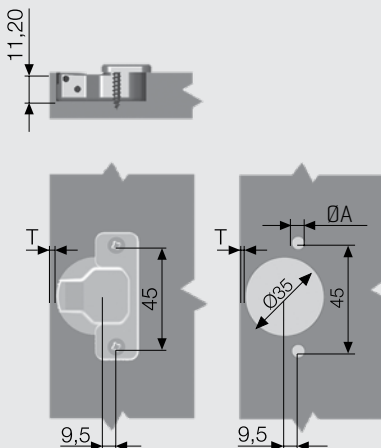
A - Mounting Plate

B - Overlay	6	5	7	9	
	5			4	
	4		3	5	
	3		4	6	
	2	3	5	7	
	1	4	6		
	0	5	7		
	T - Cup Distance				

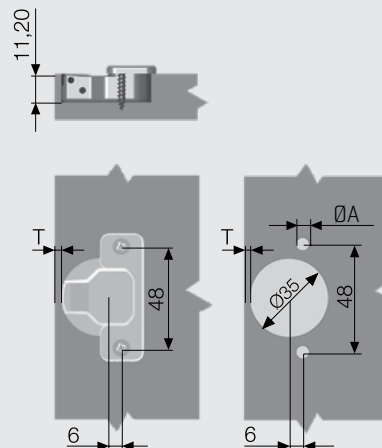
Min. Reveal for Doors [P]

K	16	17	18	19	20	21	22	23	24	25	26
T=3	0.71	0.96	1.27	1.63	2.05	2.56	3.17	3.89	4.67	5.49	6.34
T=4	0.68	0.92	1.21	1.55	1.95	2.41	2.95	3.59	4.30	5.07	5.88
T=5	0.65	0.89	1.17	1.49	1.86	2.29	2.78	3.35	4.00	4.71	5.47
T=6	0.63	0.86	1.12	1.43	1.78	2.18	2.64	3.16	3.76	4.41	5.13
T=7	0.61	0.83	1.08	1.38	1.71	2.09	2.52	3.01	3.56	4.16	4.83

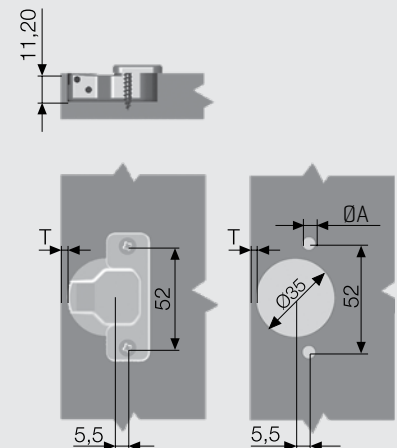
Cup Dimensions 45 mm



Cup Dimensions 48 mm



Cup Dimensions 52 mm



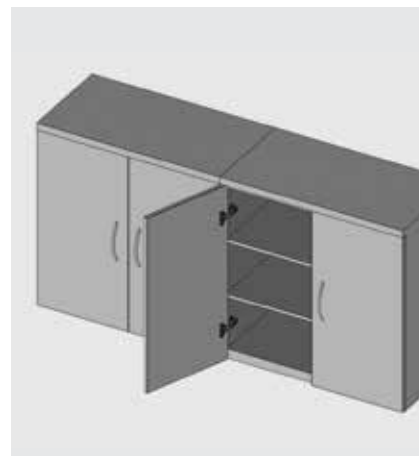
ØA [mm] = Chipboard Screw; Ø2,5x5 / Euro Screw; Ø5x12 / {Ø8-Ø10} Dowel; {Ø8-Ø10}x12, Easy Fit; Ø10x12

hinge systems

Star Push-Open Hinge without Spring






- Opening Angle : 110°
- Cup Diameter : 35 mm
- Cup Depth : 11,2 mm
- Hinge Body : Steel
- Hinge Cup : Steel
- Crank Type : 0-9-18 mm
- Finish : Nickel
- Depth Adj. : ±3 mm
- Packaging : 250 Pieces



Cranking Crank 0	
Code List According to Cup Connection Types	
DEFINITION	CODE
45 Axis	10170041
45 Axis Ø8 Dowel	101700411
45 Axis Ø10 Dowel	101700412
45 Axis Euro Screw	101700413
48 Axis	10170042
48 Axis Ø8 Dowel	101700421
48 Axis Ø10 Dowel	101700422
48 Axis Euro Screw	101700423
52 Axis	10170043
52 Axis Ø8 Dowel	101700431
52 Axis Ø10 Dowel	101700432
52 Axis Euro Screw	101700433

Cranking Crank 9	
Code List According to Cup Connection Types	
DEFINITION	CODE
45 Axis	10170051
45 Axis Ø8 Dowel	101700511
45 Axis Ø10 Dowel	101700512
45 Axis Euro Screw	101700513
48 Axis	10170052
48 Axis Ø8 Dowel	101700521
48 Axis Ø10 Dowel	101700522
48 Axis Euro Screw	101700523
52 Axis	10170053
52 Axis Ø8 Dowel	101700531
52 Axis Ø10 Dowel	101700532
52 Axis Euro Screw	101700533

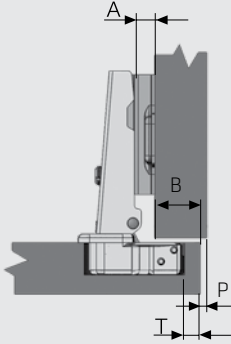
Cranking Crank 18	
Code List According to Cup Connection Types	
DEFINITION	CODE
45 Axis	10170061
45 Axis Ø8 Dowel	101700611
45 Axis Ø10 Dowel	101700612
45 Axis Euro Screw	101700613
48 Axis	10170062
48 Axis Ø8 Dowel	101700621
48 Axis Ø10 Dowel	101700622
48 Axis Euro Screw	101700623
52 Axis	10170063
52 Axis Ø8 Dowel	101700631
52 Axis Ø10 Dowel	101700632
52 Axis Euro Screw	101700633

Screw Options	
Ø3,5x16 mm Chipboard Screw	
Euro Screw	
Ø8-10 mm Plastic Dowel	

Page Directions	
Mounting Plates	Page 164
Mechanisms	Page 169, 175
Distances	Page 176, 177
Decorative Covers	Page 178
Assembly	Page 184
Dimension Charts and Symbols	Page 186

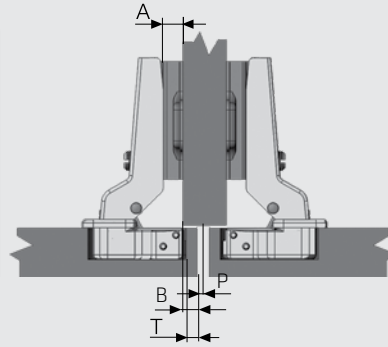
Cranking

Crank 0



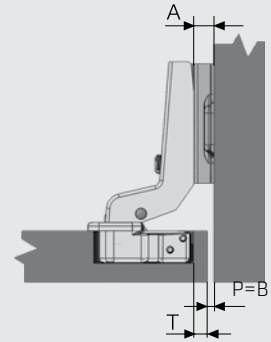
Cranking

Crank 9



Cranking

Crank 18



A - Mounting Plate

		5	7	9
B - Overlay	12			3
	13			4
	14		3	5
	15		4	6
	16	3	5	7
	17	4	6	
	18	5	7	
	19	6		
	20	7		
		T - Cup Distance		

A - Mounting Plate

		5	7	9	
B - Overlay	3			3	
	4			4	
	5		3	5	
	6		4	6	
	7	3	5	7	
	8	4	6		
	9	5	7		
	10	6			
	11	7			
			T - Cup Distance		

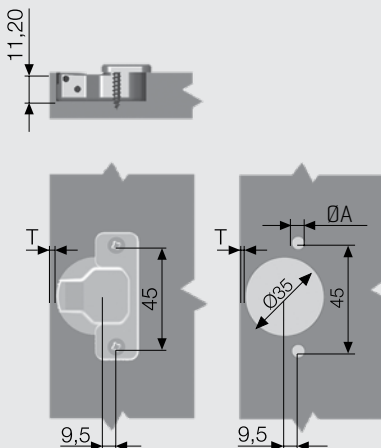
A - Mounting Plate

		5	7	9	
B - Overlay	6			3	
	5			4	
	4		3	5	
	3		4	6	
	2	3	5	7	
	1	4	6		
	0	5	7		
			T - Cup Distance		

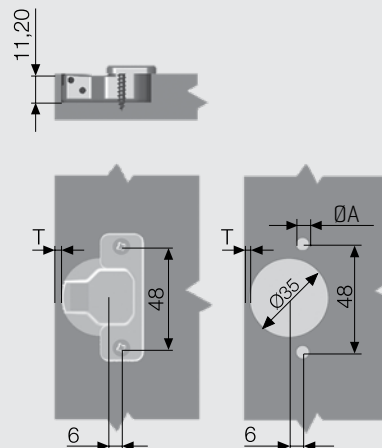
Min. Reveal for Doors [P]

K	16	17	18	19	20	21	22	23	24	25	26
T=3	0.71	0.96	1.27	1.63	2.05	2.56	3.17	3.89	4.67	5.49	6.34
T=4	0.68	0.92	1.21	1.55	1.95	2.41	2.95	3.59	4.30	5.07	5.88
T=5	0.65	0.89	1.17	1.49	1.86	2.29	2.78	3.35	4.00	4.71	5.47
T=6	0.63	0.86	1.12	1.43	1.78	2.18	2.64	3.16	3.76	4.41	5.13
T=7	0.61	0.83	1.08	1.38	1.71	2.09	2.52	3.01	3.56	4.16	4.83

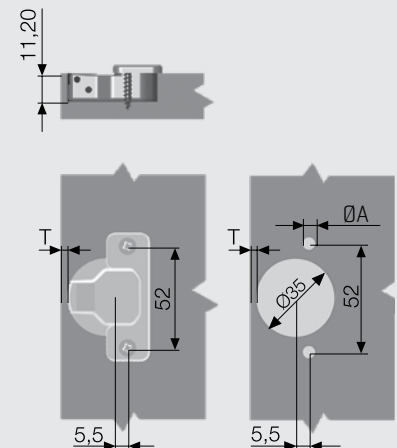
Cup Dimensions 45 mm



Cup Dimensions 48 mm



Cup Dimensions 52 mm



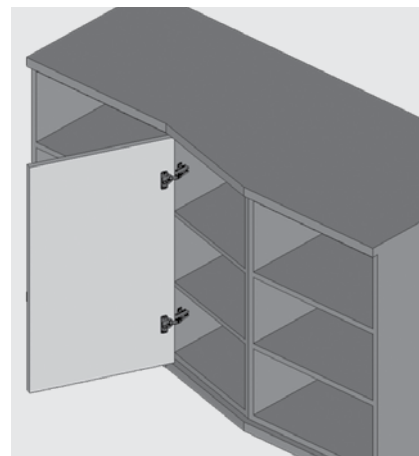
ØA [mm] = Chipboard Screw; Ø2,5x5 / Euro Screw; Ø5x12 / (Ø8-Ø10) Dowel; (Ø8-Ø10)x12

hinge systems

Star Hinge 15°



- Opening Angle : 110°
- Cup Diameter : 35 mm
- Cup Depth : 11,2 mm
- Hinge Body : Zamac
- Hinge Cup : Steel
- Finish : Nickel
- Depth Adj. : ±3 mm
- Packaging : 125 Pieces



Star 15°



Code List According to Cup Connection Types

DEFINITION	CODE
45 Axis	1011204111
45 Axis Ø8 Dowel	1011204511
45 Axis Ø10 Dowel	1011204611
45 Axis Euro Screw	1011204211
48 Axis	1011304111
48 Axis Ø8 Dowel	1011304511
48 Axis Ø10 Dowel	1011304611
48 Axis Euro Screw	1011304211
52 Axis	1011404111
52 Axis Ø8 Dowel	1011404511
52 Axis Ø10 Dowel	1011404611
52 Axis Euro Screw	1011404211

Page Directions

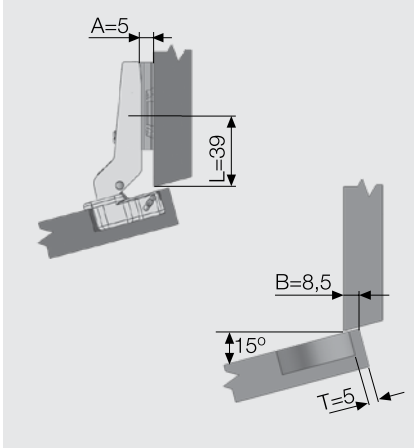
Mounting Plates	Page 164
Distances	Page 176, 177
Decorative Covers	Page 178
Assembly	Page 184
Dimension Charts and Symbols	Page 186

Screw Options

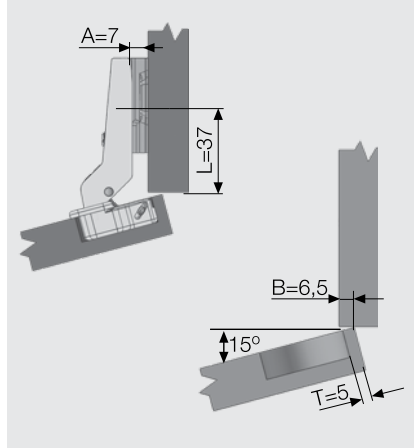
Ø3,5x16 mm Chipboard Screw	
Euro Screw	
Ø8-10 mm Plastic Dowel	

Application Alternatives

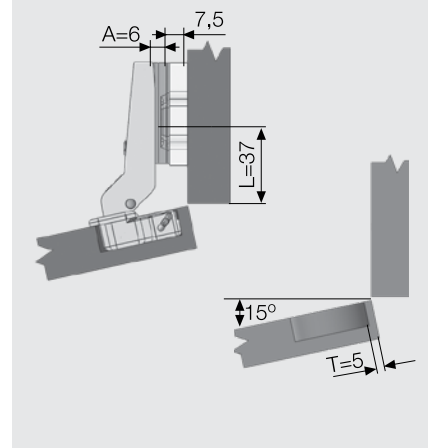
If angles of a width between [+5°] and [-5°] are needed to be applied, please refer to Page 176.



T=5 L=39 A=5

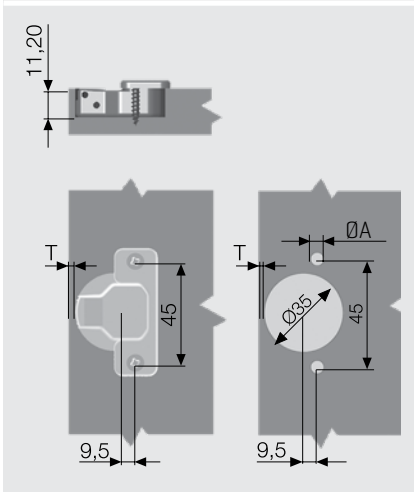


T=5 L=37 A=7

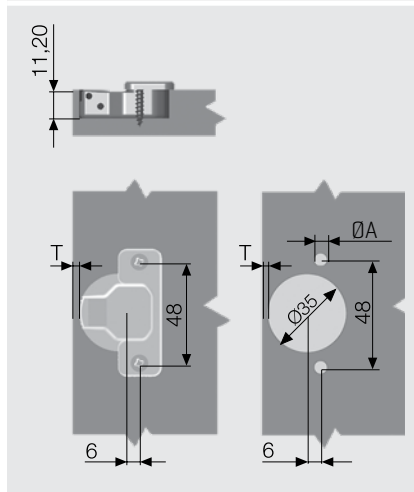


T=5 L=37 A=6+7,5

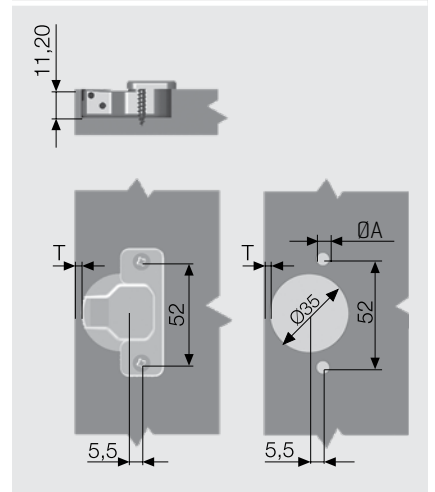
Cup Dimensions 45 mm



Cup Dimensions 48 mm



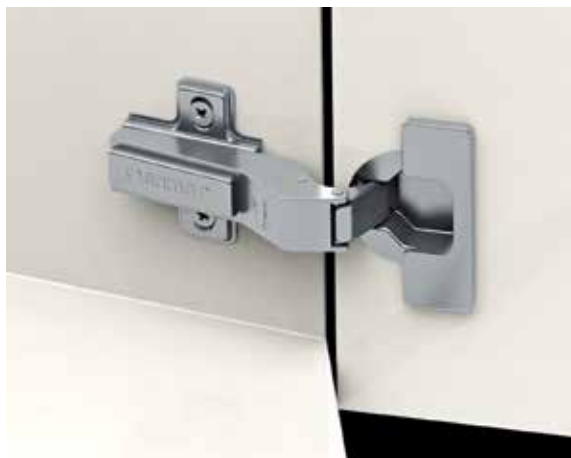
Cup Dimensions 52 mm



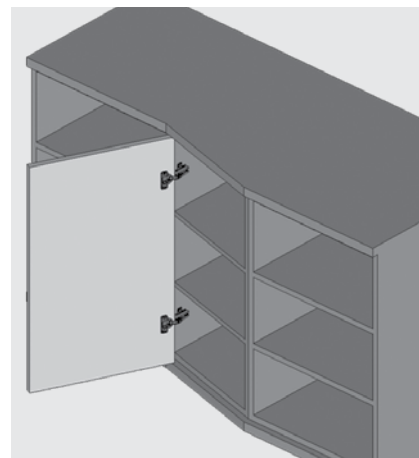
ØA [mm] = Chipboard Screw; Ø2,5x5 / Euro Screw; Ø5x12 / [Ø8-Ø10] Dowel; [Ø8-Ø10]x12

hinge systems

Star Hinge 30°



- Opening Angle : 110°
- Cup Diameter : 35 mm
- Cup Depth : 11,2 mm
- Hinge Body : Zamac
- Hinge Cup : Steel
- Finish : Nickel
- Depth Adj. : ±3 mm
- Packaging : 125 Pieces



Star 30°

Code List According to Cup Connection Types

DEFINITION	CODE
45 Axis	1017051
45 Axis Ø8 Dowel	1017401
45 Axis Ø10 Dowel	1017491
45 Axis Euro Screw	1017501
48 Axis	1017052
48 Axis Ø8 Dowel	1017402
48 Axis Ø10 Dowel	1017492
48 Axis Euro Screw	1017502
52 Axis	1017053
52 Axis Ø8 Dowel	1017403
52 Axis Ø10 Dowel	1017493
52 Axis Euro Screw	1017503

Star Push-Open 30° without Spring

Code List According to Cup Connection Types

DEFINITION	CODE
45 Axis	101700811
45 Axis Ø8 Dowel	1017008111
45 Axis Ø10 Dowel	1017008112
45 Axis Euro Screw	1017008113
48 Axis	101700821
48 Axis Ø8 Dowel	1017008211
48 Axis Ø10 Dowel	1017008212
48 Axis Euro Screw	1017008213
52 Axis	101700831
52 Axis Ø8 Dowel	1017008311
52 Axis Ø10 Dowel	1017008312
52 Axis Euro Screw	1017008313

Screw Options

Ø3,5x16 mm Chipboard Screw



Euro Screw



Ø8-10 mm Plastic Dowel



Page Directions

Mounting Plates

Page 164

Distances

Page 176, 177

Decorative Covers

Page 178

Assembly

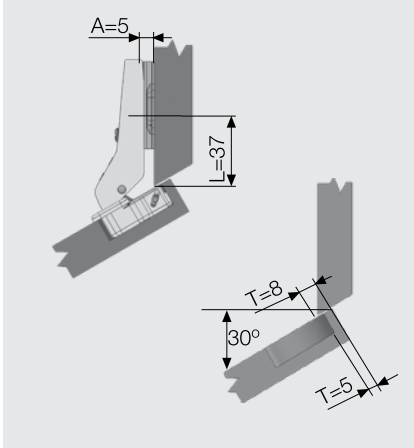
Page 184

Dimension Charts and Symbols

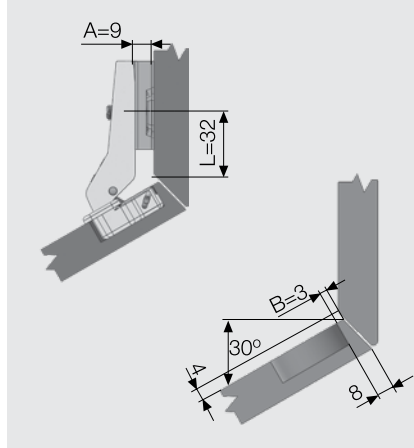
Page 186

Application Alternatives

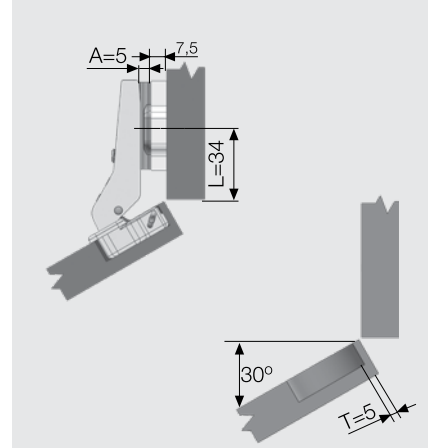
If angles of a width between [+5°] and [-5°] are needed to be applied, please refer to Page 176.



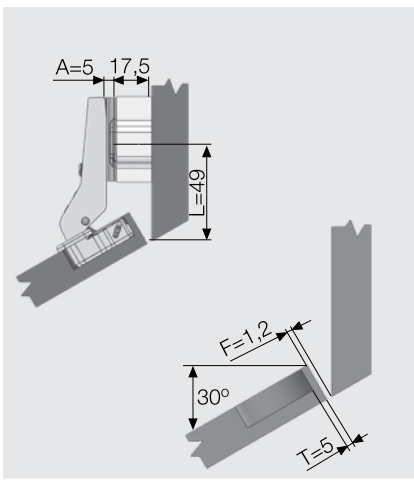
T=5 L=37 A=5



T=3 L=32 A=9

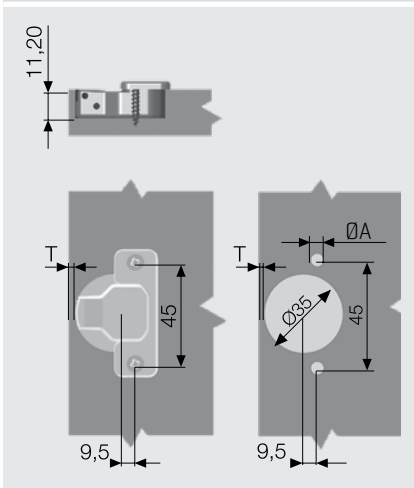


T=5 L=34 A=5+7,5

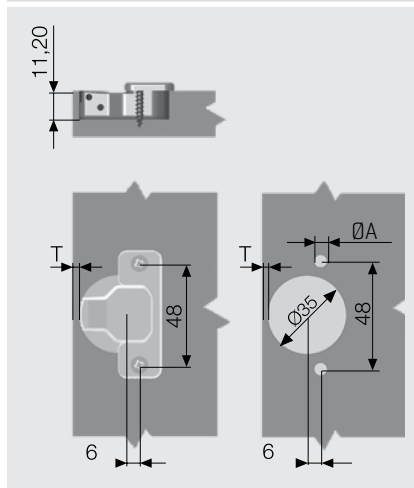


T=5 L=49 A=5+17,5

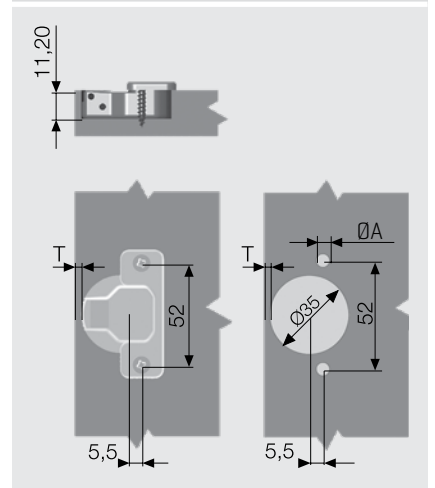
Cup Dimensions 45 mm



Cup Dimensions 48 mm



Cup Dimensions 52 mm



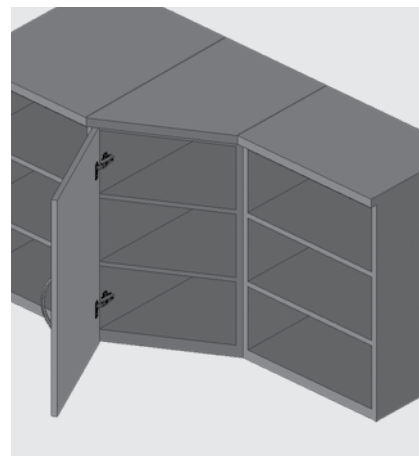
ØA [mm] = Chipboard Screw; Ø2,5x5 / Euro Screw; Ø5x12 / (Ø8-Ø10) Dowel; (Ø8-Ø10)x12

hinge systems

Star Hinge -30°



- Opening Angle : 110°
- Cup Diameter : 35 mm
- Cup Depth : 11,2 mm
- Hinge Body : Zamac
- Hinge Cup : Steel
- Finish : Nickel
- Depth Adj. : ±3 mm
- Packaging : 125 Pieces



Star -30°

Code List According to Cup Connection Types

DEFINITION	CODE
45 Axis	1017071
45 Axis Ø8 Dowel	1017681
45 Axis Ø10 Dowel	1017691
45 Axis Euro Screw	1017701
48 Axis	1017072
48 Axis Ø8 Dowel	1017682
48 Axis Ø10 Dowel	1017692
48 Axis Euro Screw	1017702
52 Axis	1017073
52 Axis Ø8 Dowel	1017683
52 Axis Ø10 Dowel	1017693
52 Axis Euro Screw	1017703

Star Push-Open -30° without Spring

Code List According to Cup Connection Types

DEFINITION	CODE
45 Axis	101700812
45 Axis Ø8 Dowel	1017008121
45 Axis Ø10 Dowel	1017008122
45 Axis Euro Screw	1017008123
48 Axis	101700822
48 Axis Ø8 Dowel	1017008221
48 Axis Ø10 Dowel	1017008222
48 Axis Euro Screw	1017008223
52 Axis	101700832
52 Axis Ø8 Dowel	1017008321
52 Axis Ø10 Dowel	1017008322
52 Axis Euro Screw	1017008323

Screw Options

Ø3,5x16 mm Chipboard Screw



Euro Screw



Ø8-10 mm Plastic Dowel



Page Directions

Mounting Plates

Page 164

Distances

Page 176, 177

Decorative Covers

Page 178

Assembly

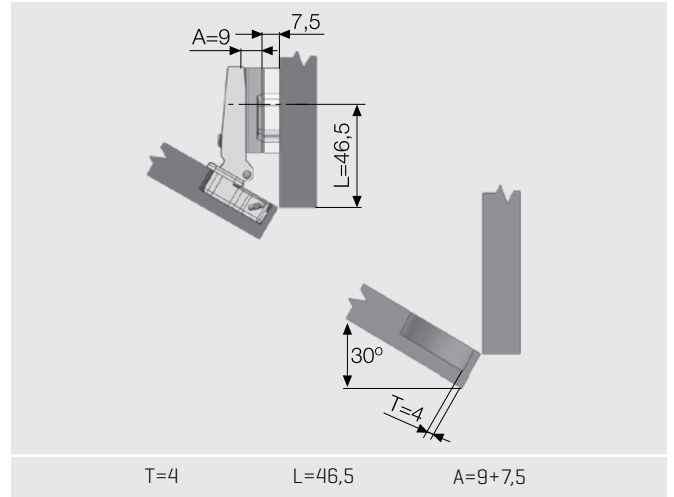
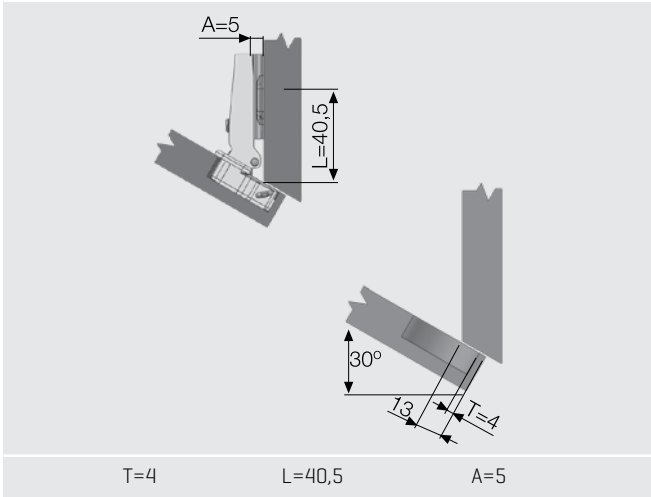
Page 184

Dimension Charts and Symbols

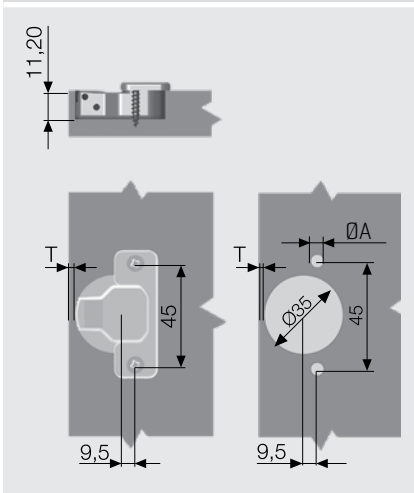
Page 186

Application Alternatives

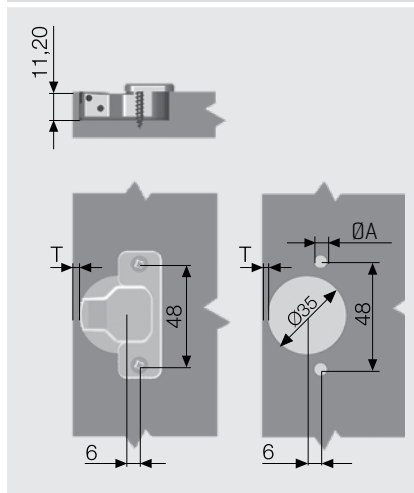
If angles of a width between $[+5^\circ]$ and $[-5^\circ]$ are needed to be applied, please refer to Page 176.



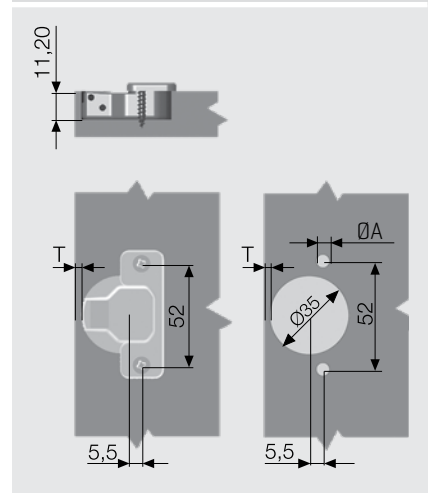
Cup Dimensions 45 mm



Cup Dimensions 48 mm



Cup Dimensions 52 mm



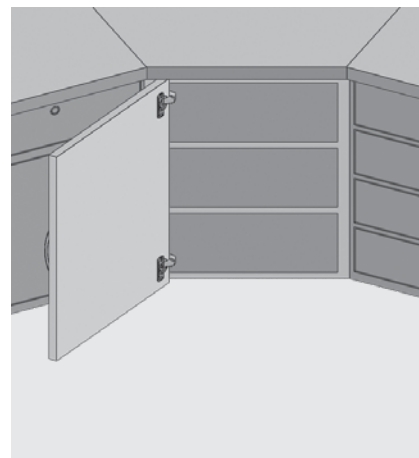
ØA [mm] = Chipboard Screw; Ø2,5x5 / Euro Screw; Ø5x12 / (Ø8-Ø10) Dowel; (Ø8-Ø10)x12

hinge systems

Star Hinge 45°



- Opening Angle : 110°
- Cup Diameter : 35 mm
- Cup Depth : 11,2 mm
- Hinge Body : Steel
- Hinge Cup : Steel
- Finish : Nickel
- Depth Adj. : ±3 mm
- Packaging : 250 Pieces



Star 45°

Code List According to Cup Connection Types

DEFINITION	CODE
45 Axis	101704
45 Axis Ø8 Dowel	101757
45 Axis Ø10 Dowel	101777
45 Axis Euro Screw	101794
48 Axis	101724
48 Axis Ø8 Dowel	101758
48 Axis Ø10 Dowel	101778
48 Axis Euro Screw	101796
52 Axis	1017043
52 Axis Ø8 Dowel	1017573
52 Axis Ø10 Dowel	1017773
52 Axis Euro Screw	1017943

Star Push-Open 45° without Spring

Code List According to Cup Connection Types

DEFINITION	CODE
45 Axis	101700813
45 Axis Ø8 Dowel	1017008131
45 Axis Ø10 Dowel	1017008132
45 Axis Euro Screw	1017008133
48 Axis	101700823
48 Axis Ø8 Dowel	1017008231
48 Axis Ø10 Dowel	1017008232
48 Axis Euro Screw	1017008233
52 Axis	101700833
52 Axis Ø8 Dowel	1017008331
52 Axis Ø10 Dowel	1017008332
52 Axis Euro Screw	1017008333

Screw Options

Ø3,5x16 mm Chipboard Screw



Euro Screw



Ø8-10 mm Plastic Dowel



Page Directions

Mounting Plates

Page 164

Distances

Page 176, 177

Decorative Covers

Page 178

Assembly

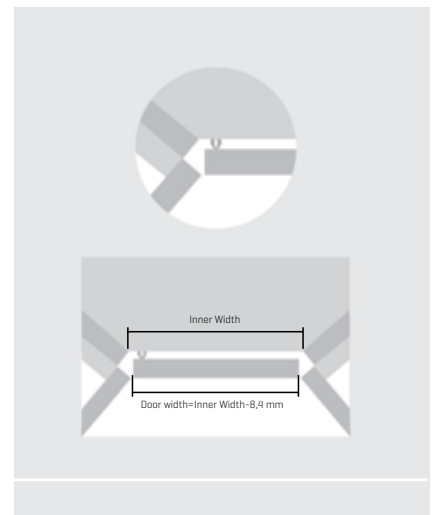
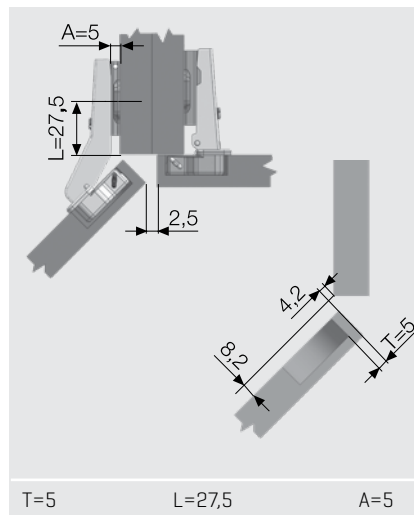
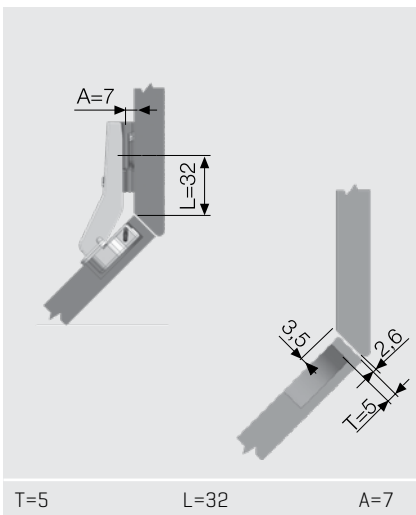
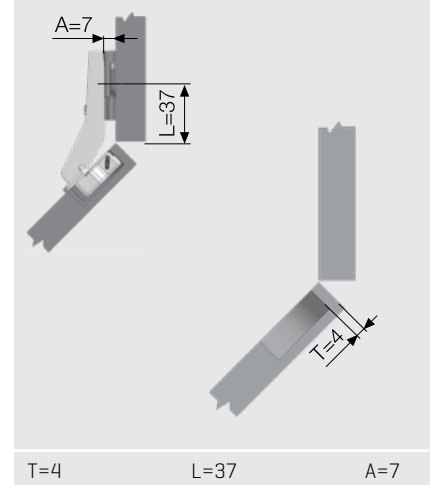
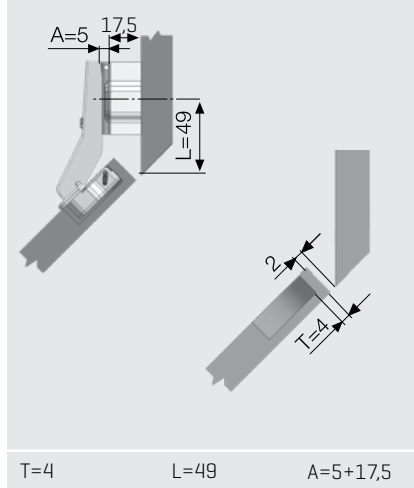
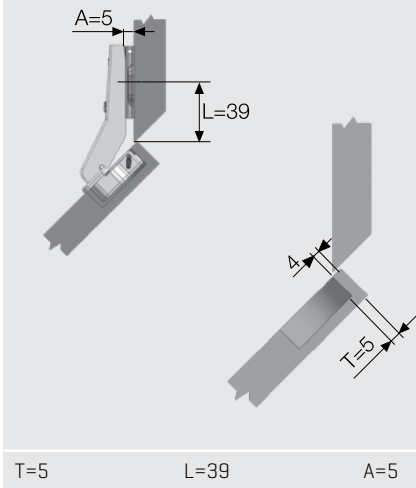
Page 184

Dimension Charts and Symbols

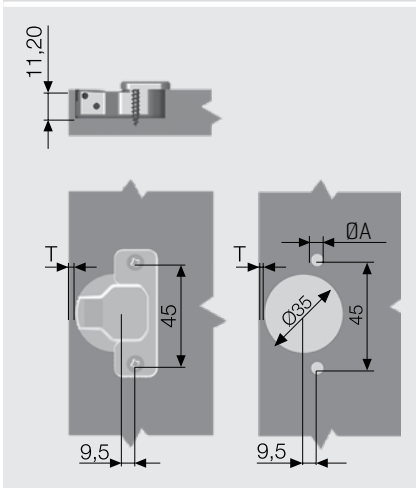
Page 186

Application Alternatives

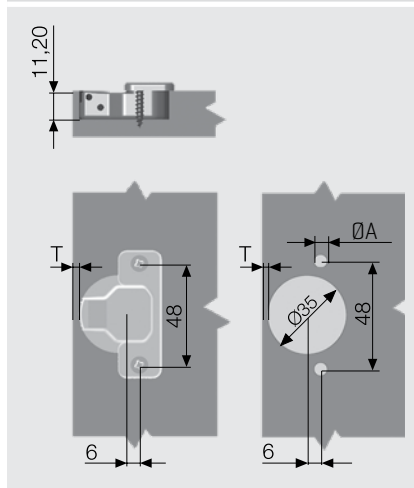
If angles of a width between $[+5^\circ]$ and $[-5^\circ]$ are needed to be applied, please refer to Page 176.



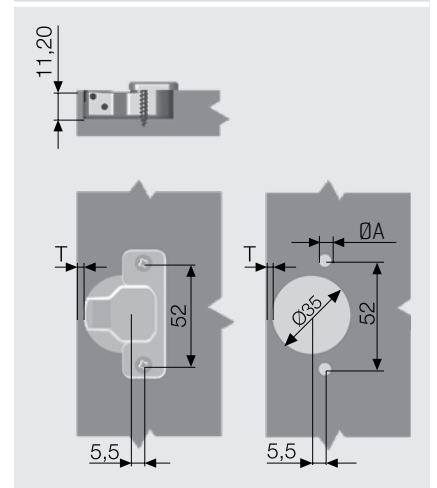
Cup Dimensions 45 mm



Cup Dimensions 48 mm



Cup Dimensions 52 mm



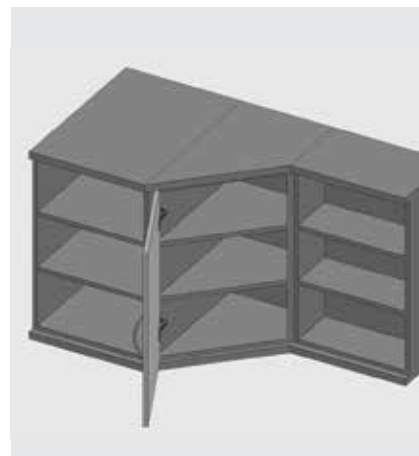
ØA [mm] = Chipboard Screw; Ø2,5x5 / Euro Screw; Ø5x12 / (Ø8-Ø10) Dowel; (Ø8-Ø10)x12

hinge systems

Star Hinge -45°



- Opening Angle : 110°
- Cup Diameter : 35 mm
- Cup Depth : 11,2 mm
- Hinge Body : Zamac
- Hinge Cup : Steel
- Finish : Nickel
- Depth Adj. : ±3 mm
- Packaging : 250 Pieces



Star -45°

Code List According to Cup Connection Types

DEFINITION	CODE
45 Axis	1017081
45 Axis Ø8 Dowel	1017861
45 Axis Ø10 Dowel	1017871
45 Axis Euro Screw	1017881
48 Axis	1017082
48 Axis Ø8 Dowel	1017862
48 Axis Ø10 Dowel	1017872
48 Axis Euro Screw	1017882
52 Axis	1017083
52 Axis Ø8 Dowel	1017863
52 Axis Ø10 Dowel	1017873
52 Axis Euro Screw	1017883

Star Push-Open -45° without Spring

Code List According to Cup Connection Types

DEFINITION	CODE
45 Axis	101700814
45 Axis Ø8 Dowel	1017008141
45 Axis Ø10 Dowel	1017008142
45 Axis Euro Screw	1017008143
48 Axis	101700824
48 Axis Ø8 Dowel	1017008241
48 Axis Ø10 Dowel	1017008242
48 Axis Euro Screw	1017008243
52 Axis	101700834
52 Axis Ø8 Dowel	1017008341
52 Axis Ø10 Dowel	1017008342
52 Axis Euro Screw	1017008343

Screw Options

Ø3,5x16 mm Chipboard Screw



Euro Screw



Ø8-10 mm Plastic Dowel



Page Directions

Mounting Plates

Page 164

Distances

Page 176, 177

Decorative Covers

Page 178

Assembly

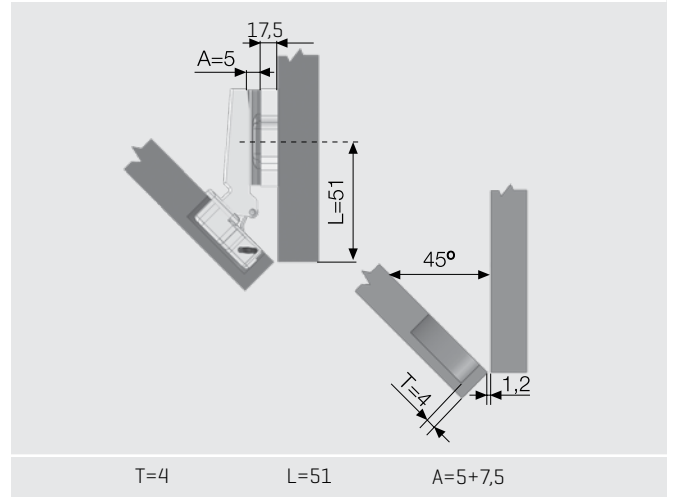
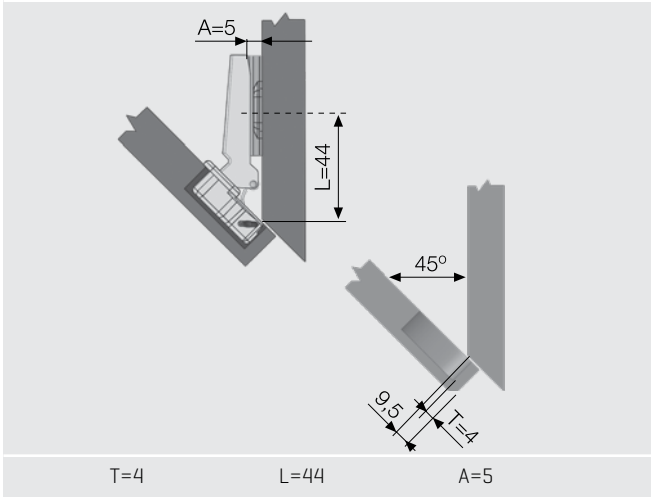
Page 184

Dimension Charts and Symbols

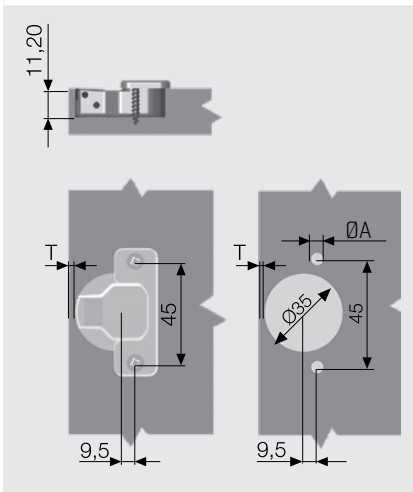
Page 186

Application Alternatives

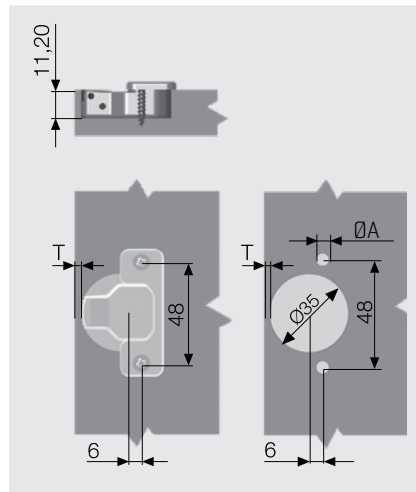
If angles of a width between $[+5^\circ]$ and $[-5^\circ]$ are needed to be applied, please refer to Page 176.



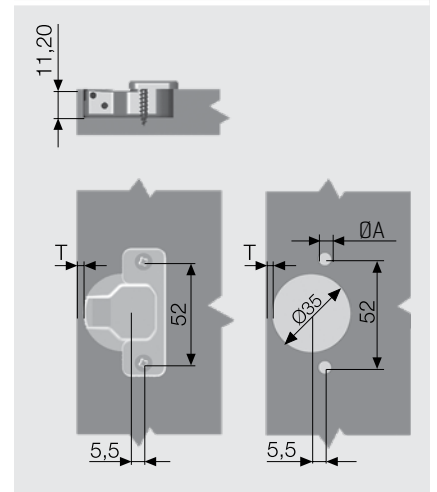
Cup Dimensions 45 mm



Cup Dimensions 48 mm



Cup Dimensions 52 mm



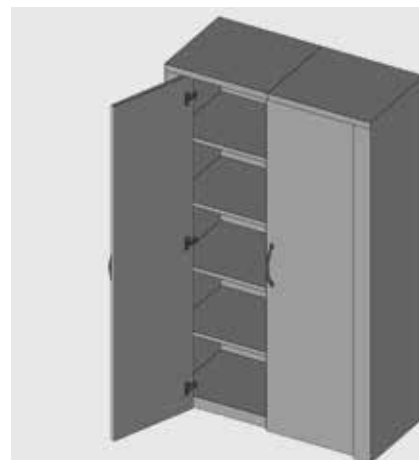
ØA [mm] = Chipboard Screw; Ø2,5x5 / Euro Screw; Ø5x12 / (Ø8-Ø10) Dowel; (Ø8-Ø10)x12

hinge systems

Star Hinge 90°



- Opening Angle : 110°
- Cup Diameter : 35 mm
- Cup Depth : 11,2 mm
- Hinge Body : Zamac
- Hinge Cup : Steel
- Finish : Nickel
- Depth Adj. : ±3 mm
- Packaging : 250 Pieces



Star 90°

Code List According to Cup Connection Types

DEFINITION	CODE
45 Axis	101715
45 Axis Ø8 Dowel	101738
45 Axis Ø10 Dowel	101739
45 Axis Euro Screw	101759
48 Axis	101725
48 Axis Ø8 Dowel	101747
48 Axis Ø10 Dowel	101748
48 Axis Euro Screw	101798
52 Axis	1017153
52 Axis Ø8 Dowel	1017383
52 Axis Ø10 Dowel	1017393
52 Axis Euro Screw	1017593

Star Push-Open 90° without Spring

Code List According to Cup Connection Types

DEFINITION	CODE
45 Axis	101700815
45 Axis Ø8 Dowel	1017008151
45 Axis Ø10 Dowel	1017008152
45 Axis Euro Screw	1017008153
48 Axis	101700825
48 Axis Ø8 Dowel	1017008251
48 Axis Ø10 Dowel	1017008252
48 Axis Euro Screw	1017008253
52 Axis	101700835
52 Axis Ø8 Dowel	1017008351
52 Axis Ø10 Dowel	1017008352
52 Axis Euro Screw	1017008353

Screw Options

Ø3,5x16 mm Chipboard Screw



Euro Screw



Ø8-10 mm Plastic Dowel



Page Directions

Mounting Plates

Page 164

Distances

Page 176, 177

Decorative Covers

Page 178

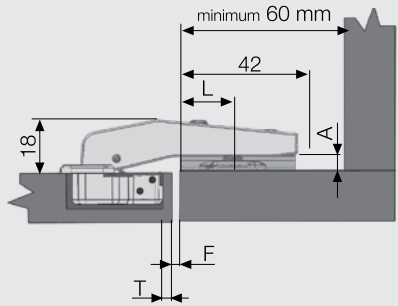
Assembly

Page 184

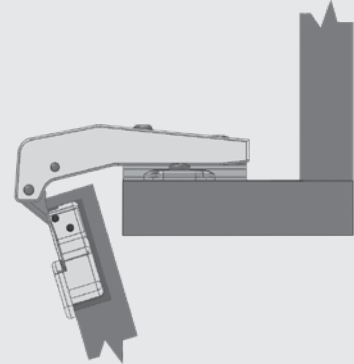
Dimension Charts and Symbols

Page 186

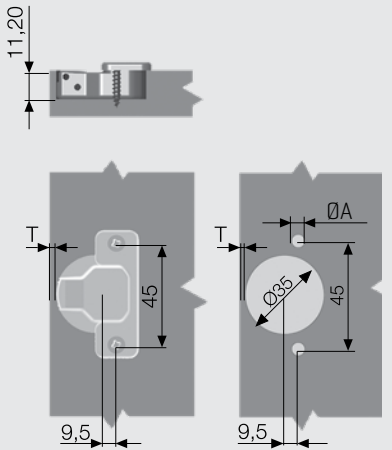
Application Alternatives



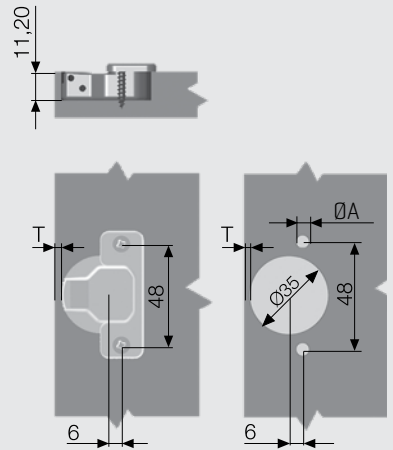
T=3	L=19	A=5	F=2
T=4	L=19	A=5	F=1



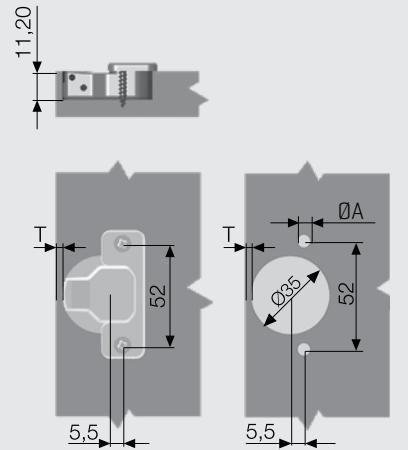
Cup Dimensions 45 mm



Cup Dimensions 48 mm



Cup Dimensions 52 mm



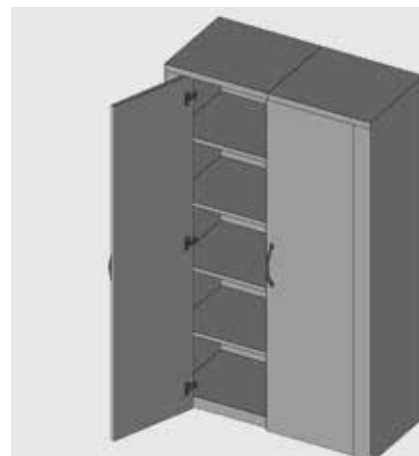
ØA [mm] = Chipboard Screw; Ø2,5x5 / Euro Screw; Ø5x12 / (Ø8-Ø10) Dowel; (Ø8-Ø10)x12

hinge systems

Star Short Body Hinge 90°



- Opening Angle : 110°
- Cup Diameter : 35 mm
- Cup Depth : 11,2 mm
- Hinge Body : Steel
- Hinge Cup : Steel
- Finish : Nickel
- Depth Adj. : ±3 mm
- Packaging : 250 Pieces



Star Short Body 90°

Code List According to Cup Connection Types

DEFINITION	CODE
45 Axis	1011212111
45 Axis Ø8 Dowel	1011212511
45 Axis Ø10 Dowel	1011212611
45 Axis Euro Screw	1011212211
48 Axis	1011312111
48 Axis Ø8 Dowel	1011312511
48 Axis Ø10 Dowel	1011312611
48 Axis Euro Screw	1011312211
52 Axis	1011412111
52 Axis Ø8 Dowel	1011412511
52 Axis Ø10 Dowel	1011412611
52 Axis Euro Screw	1011412211

Star Push-Open Short Body 90° without Spring

Code List According to Cup Connection Types

DEFINITION	CODE
45 Axis	101700816
45 Axis Ø8 Dowel	1017008161
45 Axis Ø10 Dowel	1017008162
45 Axis Euro Screw	1017008163
48 Axis	101700826
48 Axis Ø8 Dowel	1017008261
48 Axis Ø10 Dowel	1017008262
48 Axis Euro Screw	1017008263
52 Axis	101700836
52 Axis Ø8 Dowel	1017008361
52 Axis Ø10 Dowel	1017008362
52 Axis Euro Screw	1017008363

Screw Options

Ø3,5x16 mm Chipboard Screw



Euro Screw



Ø8-10 mm Plastic Dowel



Page Directions

Mounting Plates

Page 165

Distances

Page 176, 177

Decorative Covers

Page 178

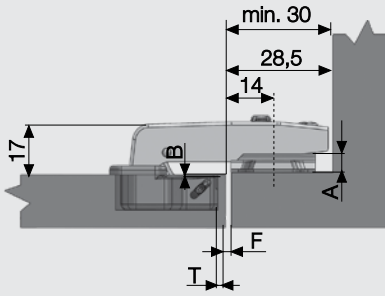
Assembly

Page 184

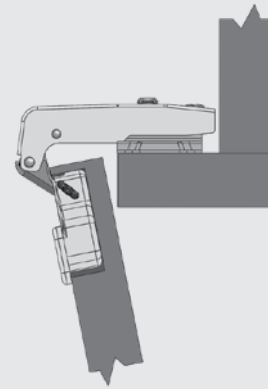
Dimension Charts and Symbols

Page 186

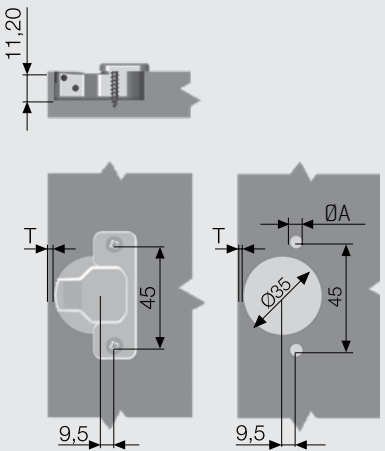
Application Alternatives



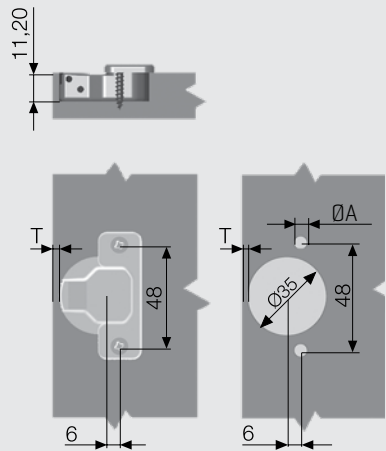
A=5	B=2	T=5	F=1
A=5	B=2	T=4	F=2
A=7	B=0	T=5	F=1
A=7	B=0	T=4	F=2



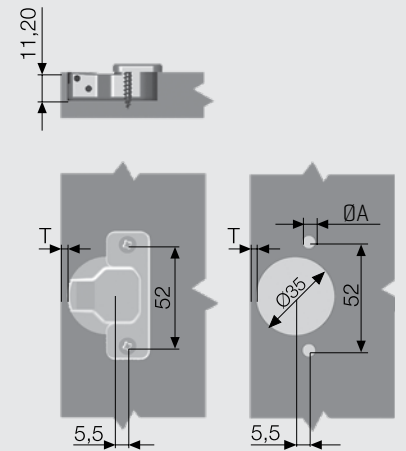
Cup Dimensions 45 mm



Cup Dimensions 48 mm



Cup Dimensions 52 mm



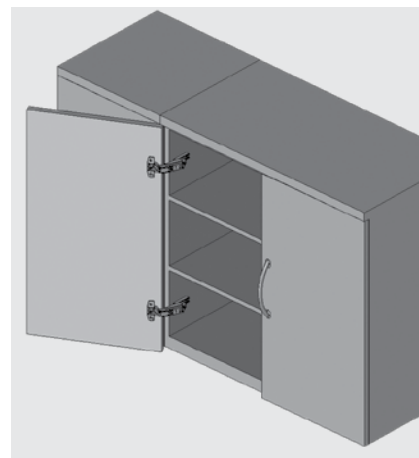
ØA [mm] = Chipboard Screw; Ø2,5x5 / Euro Screw; Ø5x12 / [Ø8-Ø10] Dowel; [Ø8-Ø10]x12

hinge systems

165° Hinge System



- Opening Angle : 165°
- Cup Diameter : 35 mm
- Cup Depth : 11,3 mm
- Hinge Body : Zamac+Steel
- Hinge Cup : Steel
- Crank Type : 0-9-16 mm
- Finish : Nickel
- Depth Adj. : ±3 mm
- Packaging : 100 Pieces
- Door Thickness : 14 - 26 mm



Cranking Crank 0	
Code List According to Cup Connection Types	
DEFINITION	CODE
45 Axis	1019811
45 Axis Ø8 Dowel	101981102
45 Axis Ø10 Dowel	101981103
48 Axis	1019812
48 Axis Ø8 Dowel	101981202
48 Axis Ø10 Dowel	101981203
52 Axis	1019813
52 Axis Ø8 Dowel	101981302
52 Axis Ø10 Dowel	101981303

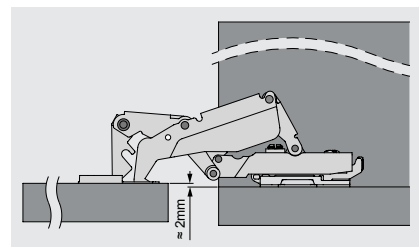
Cranking Crank 9	
Code List According to Cup Connection Types	
DEFINITION	CODE
45 Axis	1019821
45 Axis Ø8 Dowel	101982102
45 Axis Ø10 Dowel	101982103
48 Axis	1019822
48 Axis Ø8 Dowel	101982202
48 Axis Ø10 Dowel	101982203
52 Axis	1019823
52 Axis Ø8 Dowel	101982302
52 Axis Ø10 Dowel	101982303

Cranking Crank 16	
Code List According to Cup Connection Types	
DEFINITION	CODE
45 Axis	1019831
45 Axis Ø8 Dowel	101983102
45 Axis Ø10 Dowel	101983103
48 Axis	1019832
48 Axis Ø8 Dowel	101983202
48 Axis Ø10 Dowel	101983203
52 Axis	1019833
52 Axis Ø8 Dowel	101983302
52 Axis Ø10 Dowel	101983303

Page Directions

Mounting Plates	Page 164
Distances	Page 176, 177
Decorative Covers	Page 178
Assembly	Page 184
Dimension Charts and Symbols	Page 186
Safety Information	Page 181

Application Dimension



Screw Options

Ø3,5x16 mm Chipboard Screw

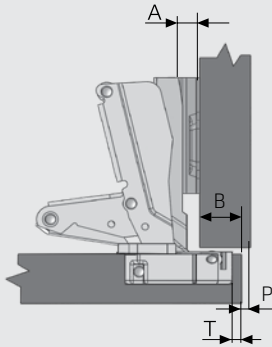


Ø8-10 mm Plastic Dowel



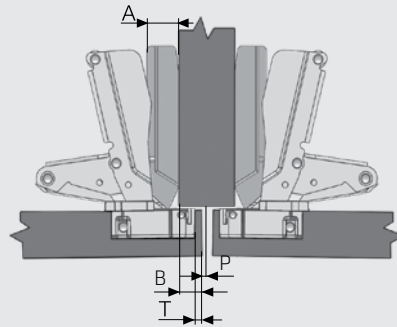
Cranking

Crank 0



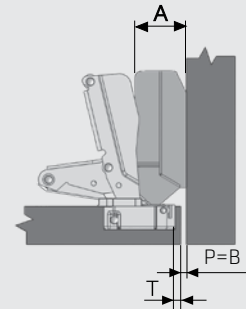
Cranking

Crank 9



Cranking

Crank 16

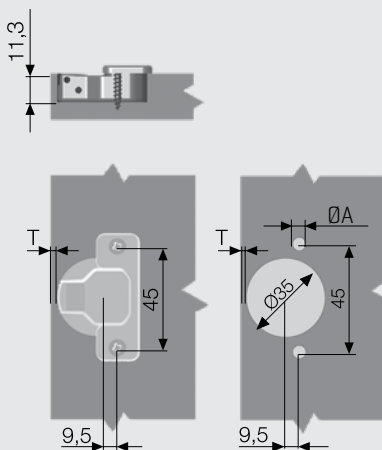


		A - Mounting Plate		
		0	2	4
B - Overlay	12			3
	13			4
	14		3	5
	15		4	6
	16	3	5	7
	17	4	6	
	18	5	7	
	19	6		
20	7			
		T - Cup Distance		

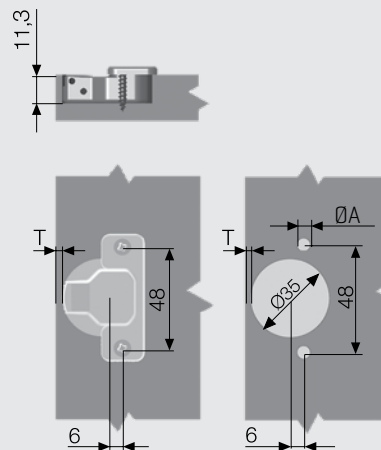
		A - Mounting Plate			
		0	2	4	
B - Overlay	3			3	
	4			4	
	5		3	5	
	6		4	6	
	7	3	5	7	
	8	4	6		
	9	5	7		
	10	6			
	11	7			
			T - Cup Distance		

		A - Mounting Plate		
		0	2	4
B - Overlay	4			3
	3			4
	2		3	5
	1		4	6
	0	3	5	7
		T - Cup Distance		

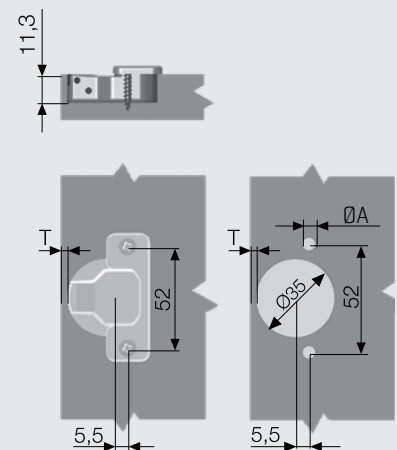
Cup Dimensions 45 mm



Cup Dimensions 48 mm



Cup Dimensions 52 mm



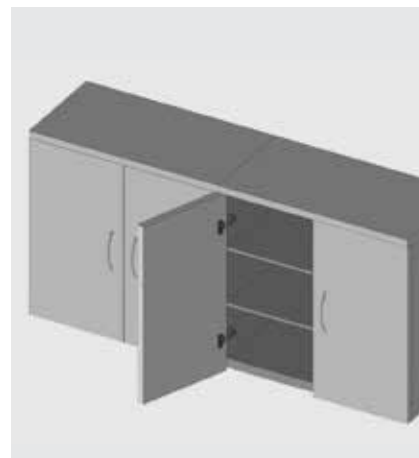
ØA [mm] = Chipboard Screw; Ø2,5x5 / [Ø8-Ø10] Dowel; [Ø8-Ø10]x12

hinge systems

Star Hinge for Thick Doors/Cabinet Side Hinge






- . Opening Angle : 95°
- . Cup Diameter : 40 mm
- . Cup Depth : 13.7 mm
- . Hinge Body : Steel
- . Hinge Cup : Steel
- . Crank Type : 0-7-16 mm
- . Finish : Nickel
- . Depth Adj. : ±3 mm
- . Overlay Adj. : ±4 mm
- . Door Thickness : 16-43 mm
- . Packaging : 125 Pieces



Cranking Crank 0	
Code List According to Cup Connection Types	
DEFINITION	CODE
52 Axis	101001811
52 Axis Ø8 Dowel	101001812
52 Axis Ø10 Dowel	101001813
52 Axis Euro Screw	101001814

Cranking Crank 7	
Code List According to Cup Connection Types	
DEFINITION	CODE
52 Axis	101001821
52 Axis Ø8 Dowel	101001822
52 Axis Ø10 Dowel	101001823
52 Axis Euro Screw	101001824

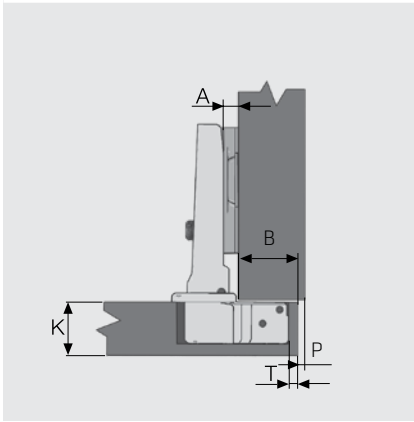
Cranking Crank 16	
Code List According to Cup Connection Types	
DEFINITION	CODE
52 Axis	101001831
52 Axis Ø8 Dowel	101001832
52 Axis Ø10 Dowel	101001833
52 Axis Euro Screw	101001834

Screw Options	
Ø3,5x16 mm Chipboard Screw	
Euro Screw	
Ø8-10 mm Plastic Dowel	

Page Directions	
Mounting Plates	Page 164
Distances	Page 176, 177
Decorative Covers	Page 178
Assembly	Page 184
Dimension Charts and Symbols	Page 186

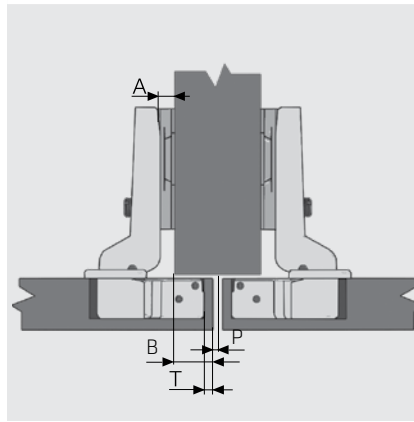
Cranking

Crank 0



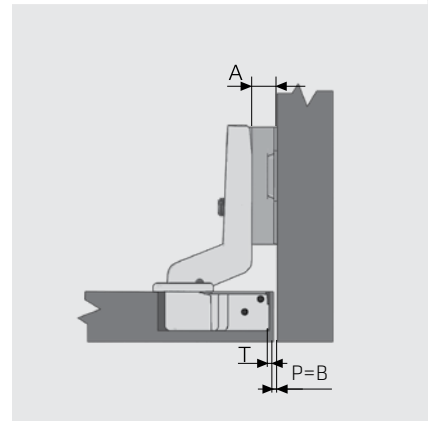
Cranking

Crank 7



Cranking

Crank 16



A - Mounting Plate

	5	7	9
17			3
18			4
19		3	5
20		4	6
21	3	5	7
22	4	6	8
23	5	7	9
24	6	8	10
25	7	9	
26	8	10	
27	9		
28	10		

T - Cup Distance

A - Mounting Plate

	5	7	5+7,5 Distance
6			3
7			4
8			5
9			6
10			7
11			8
12		3	9
13		4	10
14	3	5	
15	4	6	
16	5	7	
17	6	8	
18	7	9	
19	8	10	

T - Cup Distance

A - Mounting Plate

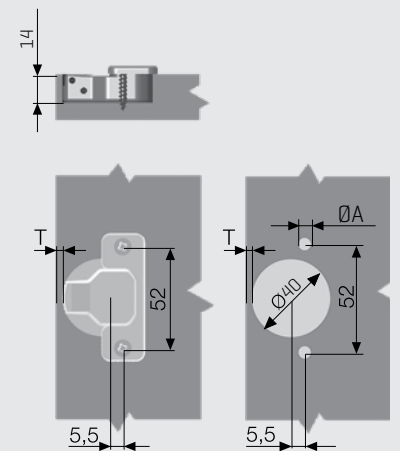
	5+7,5 Distance	7+7,5 Distance	9+7,5 Distance
6			3,5
5			4,5
4		3,5	5,5
3		4,5	
2	3,5	5,5	
1	4,5		
0	5,5		

T - Cup Distance

Min. Reveal for Doors [P]

K	T=3	T=4	T=5	T=6	T=7	T=8	T=9	T=10
24	0,9	0,9	0,9	0,9	0,9	0,9	0,9	0,8
25	1,1	1,1	1,1	1,1	1,1	1,0	1,0	1,0
26	1,3	1,3	1,3	1,3	1,2	1,2	1,2	1,2
27	1,5	1,5	1,5	1,4	1,4	1,4	1,4	1,4
28	1,7	1,7	1,7	1,7	1,6	1,6	1,6	1,6
29	2,0	1,9	1,9	1,9	1,9	1,8	1,8	1,8
30	2,2	2,2	2,2	2,1	2,1	2,1	2,0	2,0
31	2,5	2,5	2,4	2,4	2,4	2,3	2,3	2,3
32	3,1	2,8	2,7	2,7	2,6	2,6	2,5	2,5
33	4,0	3,4	3,0	3,0	2,9	2,9	2,8	2,8
34	4,9	4,3	3,7	3,3	3,2	3,2	3,1	3,1
35	5,9	5,2	4,6	4,0	3,6	3,5	3,4	3,4
36	6,9	6,2	5,5	4,9	4,4	3,9	3,8	3,7
37	7,8	7,1	6,4	5,8	5,2	4,7	4,3	4,1
38	8,8	8,1	7,4	6,7	6,1	5,6	5,1	4,6
39	9,7	9,0	8,3	7,7	7,1	6,5	6,0	5,5
40	10,7	10,0	9,3	8,6	8,0	7,4	6,8	5,8
41	11,7	10,9	10,2	9,5	8,9	8,3	7,7	7,2
42	12,7	11,9	11,2	10,5	9,8	9,2	8,6	8,1
43	13,6	12,9	12,1	11,4	10,8	10,1	9,5	9,0

Cup Dimensions 52 mm



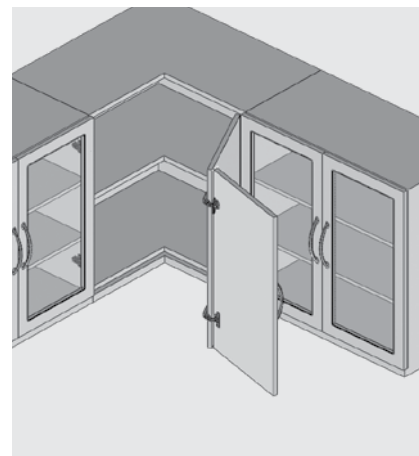
ØA [mm] = Chipboard Screw; Ø2,5x5 / Euro Screw; Ø5x12 / (Ø8-Ø10) Dowel; (Ø8-Ø10)x12

hinge systems

Star Folding Door Hinge



- Opening Angle : 160°
- Cup Diameter : 35 mm
- Cup Depth : 11,2 mm
- Hinge Body : Zamac
- Hinge Cup : Steel
- Crank Type : 0-9-18 mm
- Finish : Nickel
- Depth Adj. : ±3 mm
- Packaging : 250 Pieces
- Application with Star Track 165° Hinge and Star 165° Hinge is recommended.



Star Folding Door Hinge

Code List According to Cup Connection Types

DEFINITION	CODE
45 Axis	1018061
45 Axis Ø8 Dowel	1018901
45 Axis Ø10 Dowel	1018911
45 Axis Euro Screw	1018921
48 Axis	1018062
48 Axis Ø8 Dowel	1018902
48 Axis Ø10 Dowel	1018912
48 Axis Euro Screw	1018922
52 Axis	1018063
52 Axis Ø8 Dowel	1018903
52 Axis Ø10 Dowel	1018913
52 Axis Euro Screw	1018923

Page Directions

Mounting Plates	Page 164
Distances	Page 176, 177
Decorative Covers	Page 178
Assembly	Page 184
Dimension Charts and Symbols	Page 186

Screw Options

Ø3,5x16 mm Chipboard Screw



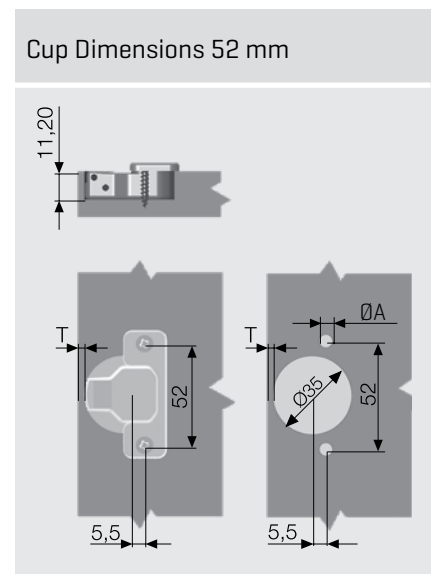
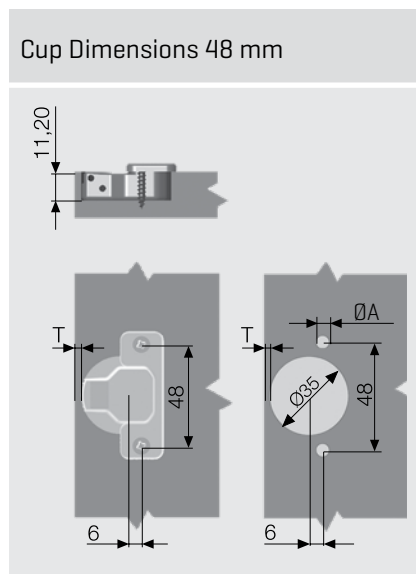
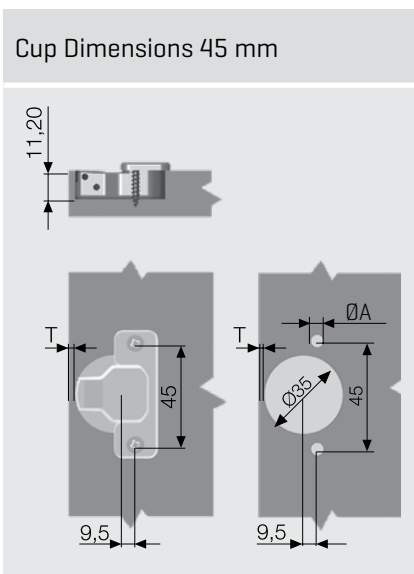
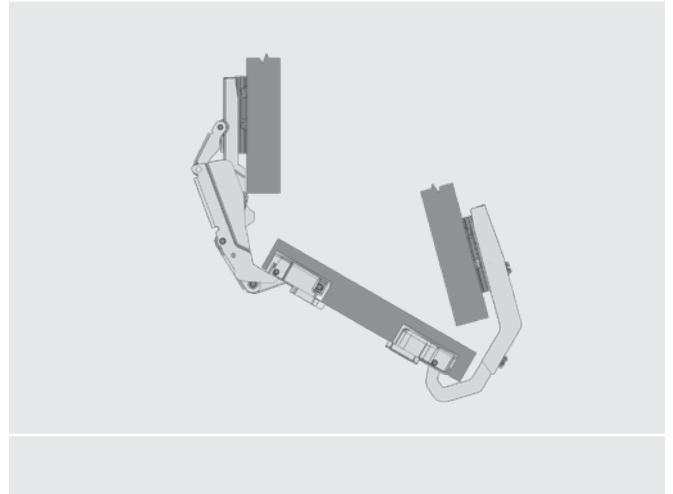
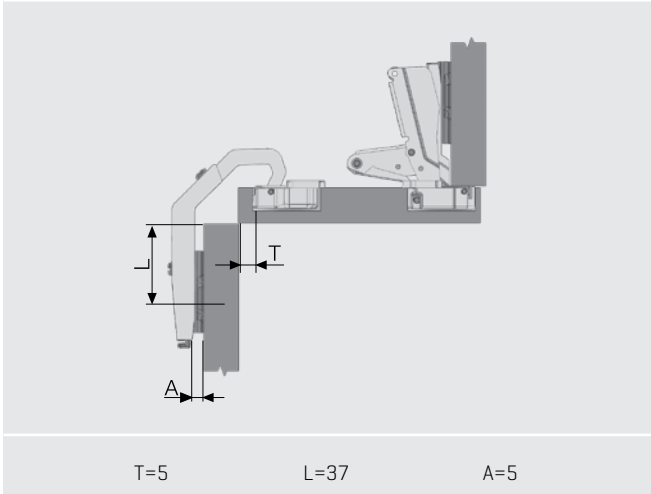
Euro Screw



Ø8-10 mm Plastic Dowel



Application Alternatives



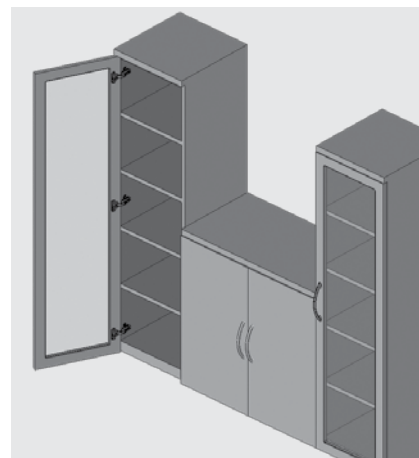
ØA [mm] = Chipboard Screw; Ø2,5x5 / Euro Screw; Ø5x12 / (Ø8-Ø10) Dowel; (Ø8-Ø10)x12

hinge systems

Star Mini Hinge







- . Opening Angle : 110°
- . Cup Diameter : 26 mm
- . Cup Depth : 10,2 mm
- . Hinge Body : Steel
- . Hinge Cup : Steel
- . Crank Type : 0-9-18 mm
- . Finish : Nickel
- . Depth Adj. : ±2 mm
- . Packaging : 500 Piece



Cranking Crank 0	
Code List According to Cup Connection Types	
DEFINITION	CODE
38 Axis	1013101112
38 Axis Ø8 Dowel	1013101512
38 Axis Ø10 Dowel	1013101612
38 Axis Euro Screw	1013101312
38 Axis Easy Fit	1013101712

Cranking Crank 9	
Code List According to Cup Connection Types	
DEFINITION	CODE
38 Axis	1013102112
38 Axis Ø8 Dowel	1013102512
38 Axis Ø10 Dowel	1013102612
38 Axis Euro Screw	1013102312
38 Axis Easy Fit	1013102712

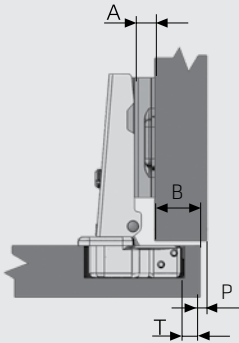
Cranking Crank 18	
Code List According to Cup Connection Types	
DEFINITION	CODE
38 Axis	1013103112
38 Axis Ø8 Dowel	1013103512
38 Axis Ø10 Dowel	1013103612
38 Axis Euro Screw	1013103312
38 Axis Easy Fit	1013103712

Screw Options	
Ø3,5x16 mm Chipboard Screw	
Euro Screw	
Ø8-10 mm Plastic Dowel	
Easy Fit	

Page Directions	
Mounting Plates	Page 166
Assembly	Page 184
Dimension Charts and Symbols	Page 186

Cranking

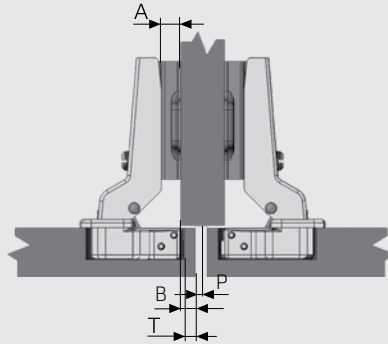
Crank 0



		A - Mounting Plate					
		2	3	4	5	6	
B - Overlay	12					3	3
	13				3	4	
	14			3	4	5	
	15		3	4	5	6	
	16	3	4	5	6		
	17	4	5	6			
	18	5	6				
19	6						
		T - Cup Distance					

Cranking

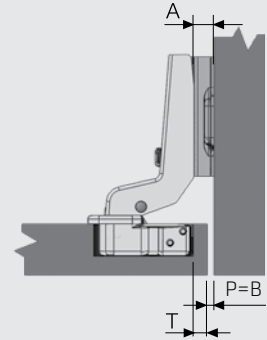
Crank 9



		A - Mounting Plate						
		2	3	4	5	6		
B - Overlay	3					3	3	
	4				3	4		
	5			3	4	5		
	6		3	4	5	6		
	7	3	4	5	6			
	8	4	5	6				
	9	5	6					
	10	6						
			T - Cup Distance					

Cranking

Crank 18

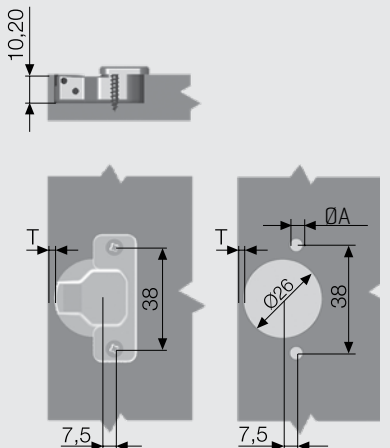


		A - Mounting Plate					
		2	3	4	5	6	
B - Overlay	6						
	5				3		
	4			3	4		
	3		3	4	5		
	2	3	4	5	6		
	1	4	5	6			
	0	5	6				
		T - Cup Distance					

Min. Reveal for Doors [P]

K	16	17	18	19	20	21	22	23	24	25	26
T=3	1.76	2.31	2.99	3.77	4.59	5.45	6.33	7.23	8.14	9.06	9.99
T=4	1.66	2.13	2.71	3.41	4.17	4.98	5.82	6.69	7.57	8.47	9.37
T=5	1.57	2.00	2.51	3.12	3.82	4.58	5.37	6.20	7.05	7.92	8.80
T=6	1.49	1.89	2.36	2.91	3.54	4.23	4.98	5.77	6.59	7.42	8.28
T=7	1.43	1.80	2.23	2.23	3.31	3.95	4.65	5.39	6.17	6.98	7.80

Cup Dimensions 38 mm



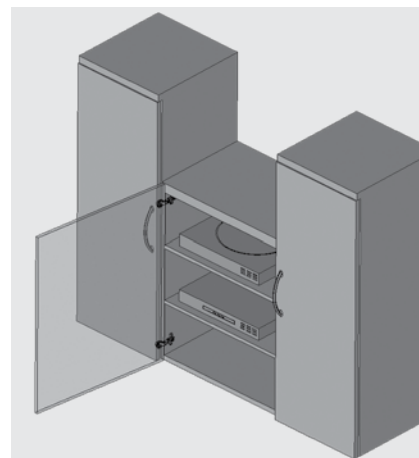
ØA [mm] = Chipboard Screw; Ø2,5x5 / Euro Screw; Ø5x12 / (Ø8-Ø10) Dowel; (Ø8-Ø10)x12, Easy Fit; Ø10x12

hinge systems

Star Mini Glass Door Hinge



- Opening Angle : 110°
- Cup Diameter : 26 mm
- Thickness of Glass: 4-7 mm
- Hinge Body : Steel
- Hinge Cup : Plastic
- Crank Type : 0-9-18 mm
- Finish : Nickel
- Depth Adj. : ±2 mm
- Packaging : 500 Piece



Cranking Crank 0	
Code List According to Cup Connection Types	
DEFINITION	CODE
Star Mini Glass Door Hinge 0 mm	103064

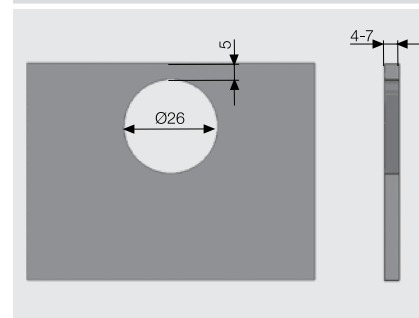
Cranking Crank 9	
Code List According to Cup Connection Types	
DEFINITION	CODE
Star Mini Glass Door Hinge 9 mm	103065

Cranking Crank 18	
Code List According to Cup Connection Types	
DEFINITION	CODE
Star Mini Glass Door Hinge 18 mm	103066

Page Directions

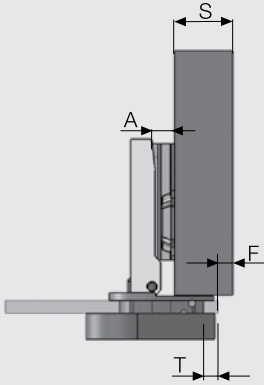
Mounting Plates	Page 166
Decorative Covers	Page 178
Dimension Charts and Symbols	Page 186

Drilling Dimensions



Cranking

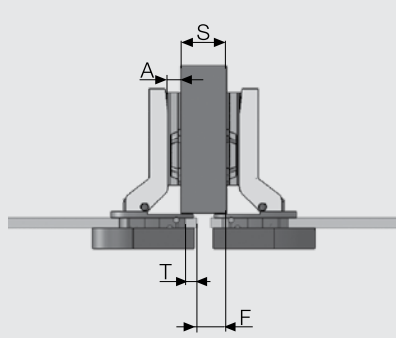
Crank 0



$A = 15 + F + T - S$

Cranking

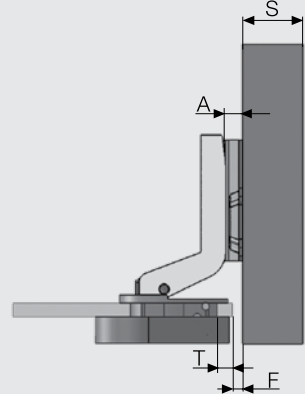
Crank 9



$A = 6 + F + T - S$

Cranking

Crank 18



$A = F + T - 3$

Calculation Table

Cranking

Crank 0

S	Wall Thickness	18	16				
A	Thickness of Distance	2	3	4	4	5	6
F	Minimum Gap	0	1	2	0	1	2
T	Cup Distance	5	5	5	5	5	5

Cranking

Crank 9

S	Wall Thickness	18	16				
A	Thickness of Distance	3	4	5	4	5	6
F	Minimum Gap	10	11	12	9	10	11
T	Cup Distance	5	5	5	5	5	5

Cranking

Crank 18

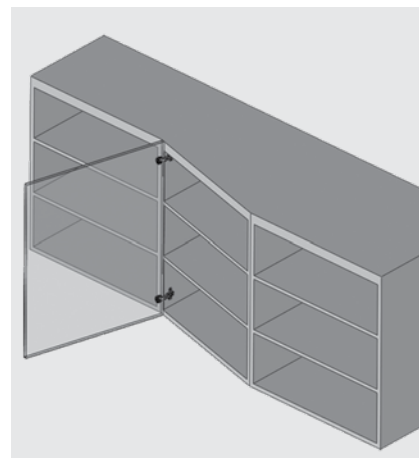
s	Wall Thickness	-	-				
A	Thickness of Distance	4	5	-	-	-	-
F	Minimum Gap	2	3	-	-	-	-
T	Cup Distance	5	5	-	-	-	-

hinge systems

Star Mini Hinge for Glass Doors 15°



- Opening Angle : 110°
- Cup Diameter : 26 mm
- Thickness of Glass : 4-7 mm
- Hinge Body : Zamac
- Hinge Cup : Plastik
- Finish : Nickel
- Depth Adj. : ±2 mm
- Packaging : 500 Piece

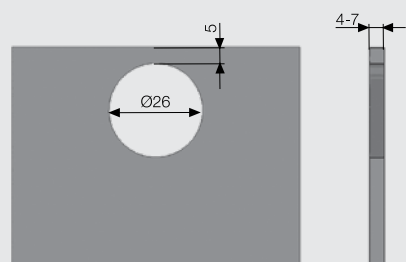


Star Mini Hinge for Glass Doors 15°

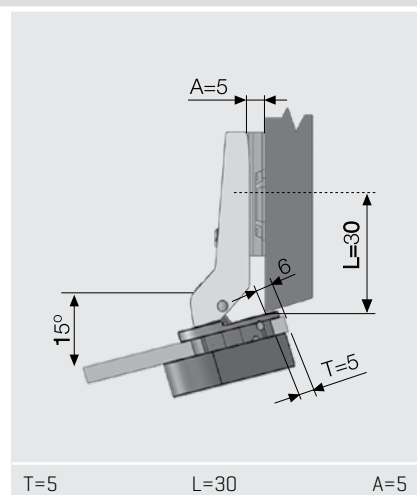
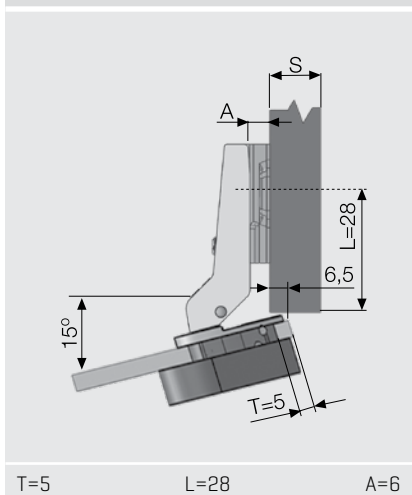
Code List According to Cup Connection Types

DEFINITION	CODE
Star Mini Hinge for Glass Doors 15°	103067

Drilling Dimensions



Application Alternatives



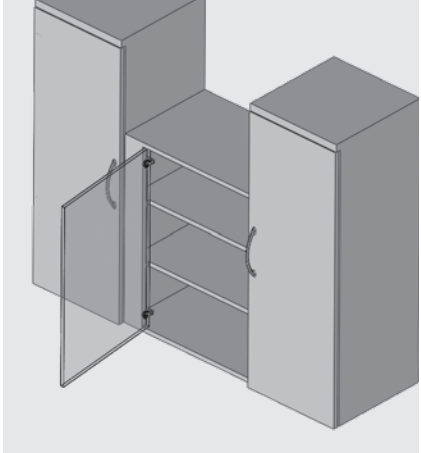
Page Directions

Mounting Plates	Page 166
Decorative Covers	Page 178
Assembly	Page 185
Dimension Charts and Symbols	Page 186

Star Mini Hinge for Glass Doors 90°



- Opening Angle : 110°
- Cup Diameter : 26 mm
- Thickness of Glass : 4-7 mm
- Hinge Body : Zamac
- Hinge Cup : Steel
- Finish : Nickel
- Depth Adj. : ±2 mm
- Packaging : 500 Piece



Star Mini Hinge for Glass Doors 90° Application Alternatives

Code List According to Cup Connection Types

DEFINITION	CODE
Star Mini Hinge for Glass Doors 90°	103068

Drilling Dimensions

Page Directions

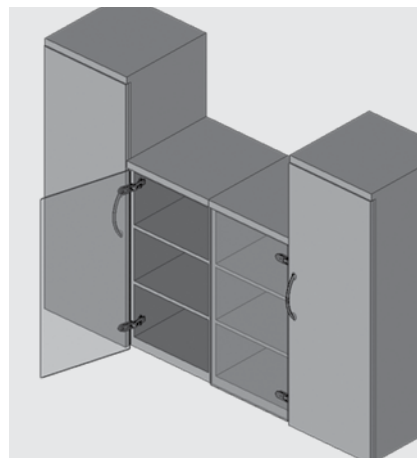
Mounting Plates	Page 166
Decorative Covers	Page 178
Assembly	Page 185
Dimension Charts and Symbols	Page 186

hinge systems

Shaped Bored Glass Door Hinge



- Applicable to inset and overlay glass doors.
- With the ball catch system, glass door closes smoothly.
- Snaps and magnet catches are not required.
- Glass is safe from damage due to the rubber parts that hold the glass.
- Three different hinge colour alternative aluminium, brass and brown.
- Depth Adj. : ± 2 mm
- Packaging : 50 Pcs Box
200 Pcs Carton



Oval Shaped Bored Glass Door Hinge

Code List According to Cup Connection Types

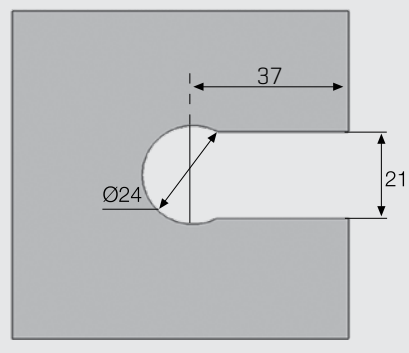
DEFINITION	CODE
Oval Shaped Bored Glass Door Hinge Plastic	103077

Angular Shaped Bored Glass Door Hinge

Code List According to Cup Connection Types

DEFINITION	CODE
Angular Shaped Bored Glass Door Hinge Yellow / Brass	103075
Angular Shaped Bored Glass Door Hinge Aluminum	103076

Glass Channel Dimensions



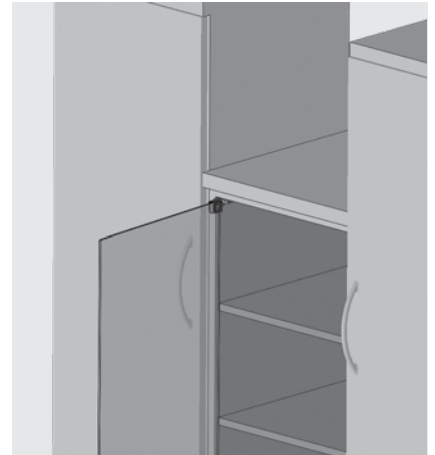
Page Directions

Mounting Plates	Page 167
Decorative Covers	Page 178
Assembly	Page 185
Dimension Charts and Symbols	Page 186

Short Type Hinge with Ball Catch for Non-Bored Glass Doors



- Opening angle 180°.
- Applied to inset glass doors. Especially suitable for music systems.
- Glass drilling is not required.
- Place the glass carefully into the hinge and fix with brass screw.
- Suitable for glass door with maximum dimensions of 350 mm width, 800 mm height and 5 mm thickness.
- Packaging: 20 Set Box
120 Set Carton

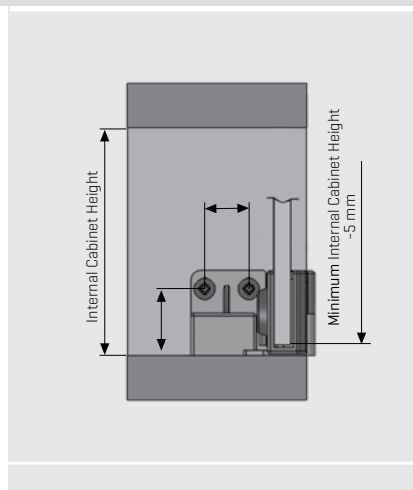
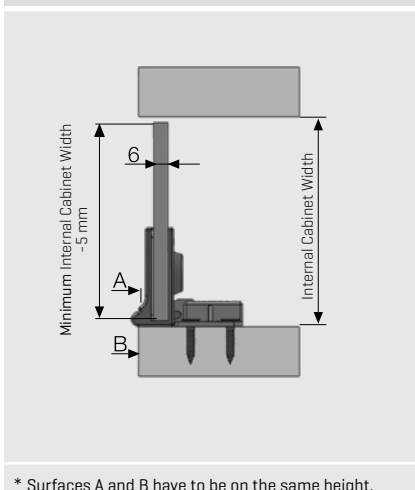


Short Type Hinge with Ball Catch for Non-Bored Glass Doors

Code List According to Cup Connection Types

DEFINITION	CODE
Short Type Hinge with Ball Catch for Non-Bored Glass Doors Nickel	103051
Short Type Hinge with Ball Catch for Non-Bored Glass Doors Gold	103055
Short Type Hinge with Ball Catch for Non-Bored Glass Doors Dark Grey	103056
Short Type Hinge with Ball Catch for Non-Bored Glass Doors Black	103057

Application Alternatives



* Surfaces A and B have to be on the same height.

Screw Options

Ø3,5x16 mm Chipboard Screw



hinge systems

Hinge with Ball Catch for Non-Bored Glass Doors



- Opening angle 180°.
- Applied to inset glass doors. Especially suitable for music systems.
- Glass drilling is not required.
- Place the glass carefully into the hinge and fix with brass screw.
- Suitable for glass door with maximum dimensions of 350 mm width, 800 mm height and 6 mm thickness.
- Packaging: 12 Set Box
120 Set Carton

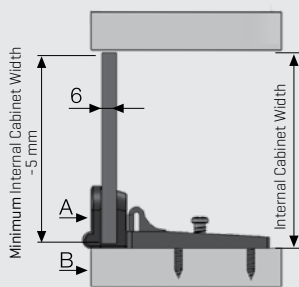


Hinge with Ball Catch for Non-Bored Glass Doors

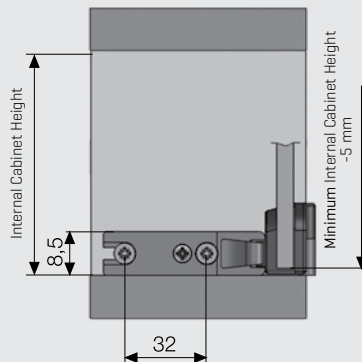
Code List According to Cup Connection Types

DEFINITION	CODE
Hinge with Ball Catch for Non-Bored Glass Doors Dark Grey	103026

Application Alternatives



*Surfaces A and B have to be on the same height.



Screw Options

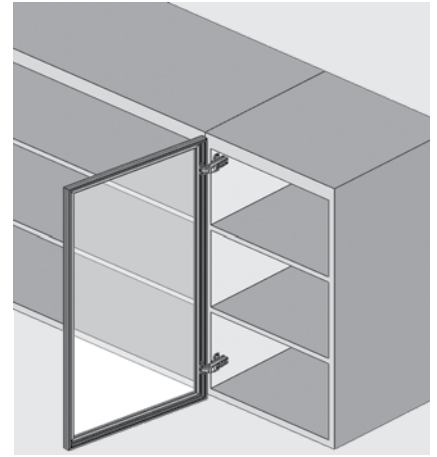
Ø3,5x16 mm Chipboard Screw



Decofix Aluminum Profile Master Soft Close Hinge



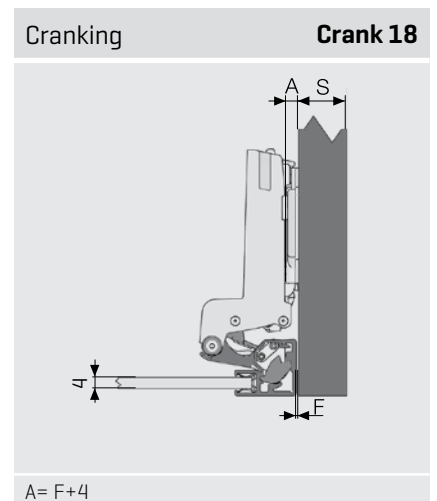
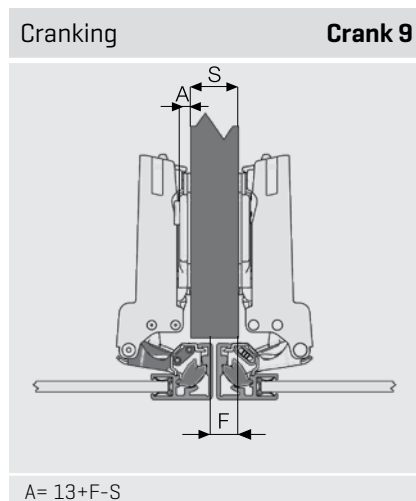
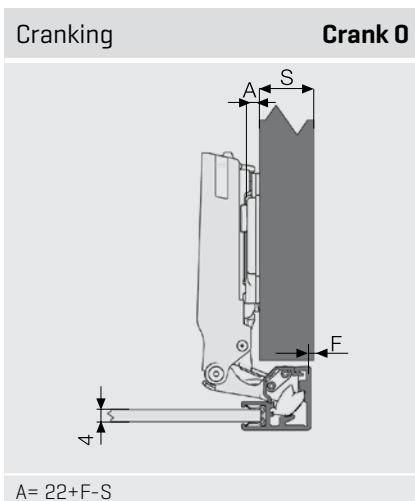
- Opening Angle : 95°
- Hinge Body : Steel
- Hinge Cup : Zamac
- Crank Type : 0-9-18 mm
- Finish : Nickel
- Depth Adj. : ±2 mm
- Packaging : 125 Pieces
- Tool free and simple assembling and disassembling of the cabinet doors.
- Only one touch on the Track mechanism is enough to release and fix the cabinet doors.
- Is used in combination with Samet's Decofix Aluminum Profile.



Cranking		Crank 0
DEFINITION	CODE	
Decofix Aluminum Profile Master Soft Close Hinge 0 mm	10301041	

Cranking		Crank 9
DEFINITION	CODE	
Decofix Aluminum Profile Master Soft Close Hinge 9 mm	10301042	

Cranking		Crank 18
DEFINITION	CODE	
Decofix Aluminum Profile Master Soft Close Hinge 18 mm	10301043	



Calculation Table

Cranking		Crank 0					
S	Wall Thickness	18			16		
A	Thickness of Distance	5	6	7	7	9	-
F	Fuga	1	2	3	1	3	-

Cranking		Crank 9					
S	Wall Thickness						
A	Thickness of Distance	5	6	7	6	7	9
F	Fuga	10	11	12	9	10	12

Cranking		Crank 18					
S	Wall Thickness						
A	Thickness of Distance	5	6	7			
F	Fuga	1	2	3			

Page Directions

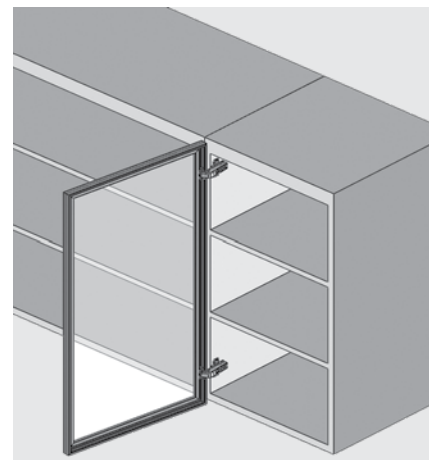
Mounting Plates	Page 156, 159
Decorative Covers	Page 178
Decofix Closing Systems	Page 182
Assembly	Page 185
Dimension Charts and Symbols	Page 186

hinge systems

Decofix Aluminum Profile Master Hinge



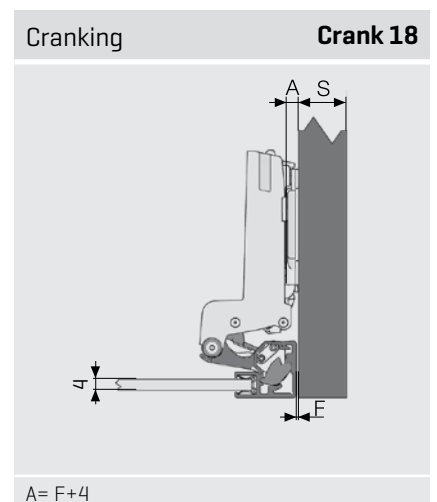
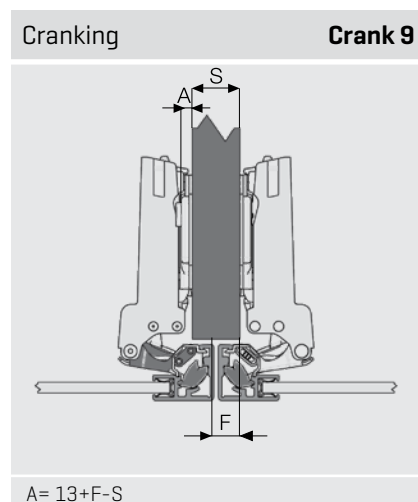
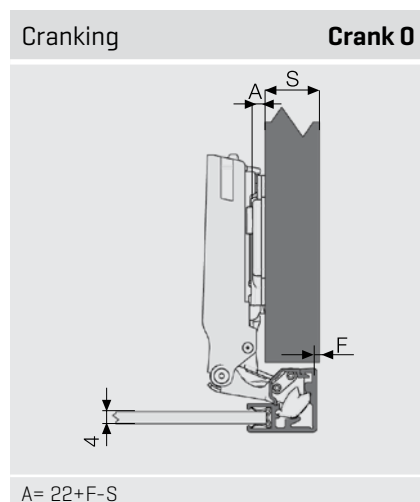
- Opening Angle : 95°
- Hinge Body : Steel
- Hinge Cup : Zamac
- Crank Type : 0-9-18 mm
- Finish : Nickel
- Depth Adj. : ±2 mm
- Packaging : 125 Pieces
- Tool free and simple assembling and disassembling of the cabinet doors. Only one touch on the Track mechanism is enough to release and fix the cabinet doors.
- Is used in combination with Samet's Decofix Aluminum Profile.



Cranking		Crank 0
DEFINITION	CODE	
Decofix Aluminum Profile Master Hinge 0 mm	10303041	

Cranking		Crank 9
DEFINITION	CODE	
Decofix Aluminum Profile Master Hinge 9 mm	10303042	

Cranking		Crank 18
DEFINITION	CODE	
Decofix Aluminum Profile Master Hinge 18 mm	10303043	



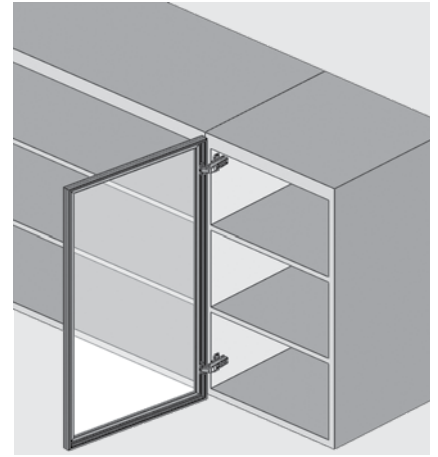
Calculation Table																							
Cranking		Crank 0						Cranking		Crank 9				Cranking		Crank 18							
S	Wall Thickness	18		16				S															
A	Thickness of Distance	5	6	7	7	9	-	A	Thickness of Distance	5	6	7	6	7	9	A	Thickness of Distance	5	6	7			
F	Fuga	1	2	3	1	3	-	F	Fuga	10	11	12	9	10	12	F	Fuga	1	2	3			

Page Directions	
Mounting Plates	Page 156, 159
Decorative Covers	Page 178
Decofix Closing Systems	Page 182
Assembly	Page 185
Dimension Charts and Symbols	Page 186

Decofix Aluminum Profile Star Track Hinge



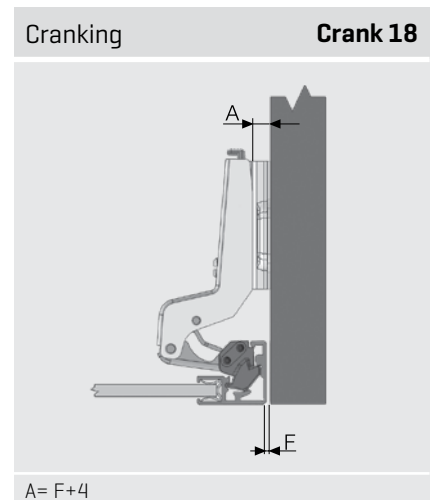
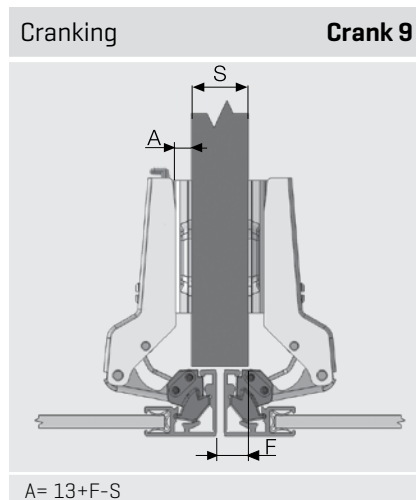
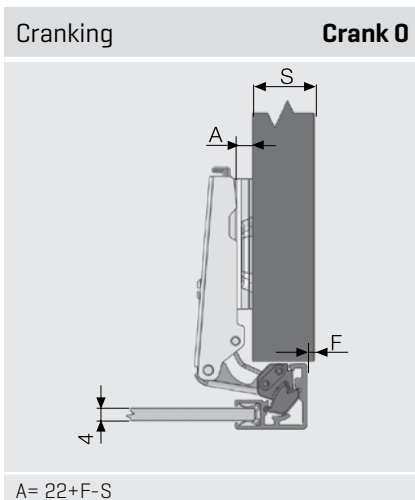
- Opening Angle : 95°
- Hinge Body : Steel
- Hinge Cup : Zamac
- Crank Type : 0-9-18 mm
- Finish : Nickel
- Depth Adj. : ±3 mm
- Packaging : 250 Pieces
- Tool free and simple assembling and disassembling of the cabinet doors. Only one touch on the Track mechanism is enough to release and fix the cabinet doors.
- Is used in combination with Samet's Decofix Aluminum Profile.



Cranking		Crank 0
DEFINITION	CODE	
Decofix Aluminum Profile Star Track Hinge 0 mm	103014	

Cranking		Crank 9
DEFINITION	CODE	
Decofix Aluminum Profile Star Track Hinge 9 mm	103015	

Cranking		Crank 18
DEFINITION	CODE	
Decofix Aluminum Profile Star Track Hinge 18 mm	103016	



Calculation Table

Cranking		Crank 0					
S	Wall Thickness	18	16				
A	Thickness of Distance	5	6	7	7	9	-
F	Fuga	1	2	3	1	3	-

Cranking		Crank 9					
S	Wall Thickness	18	16				
A	Thickness of Distance	5	6	7	6	7	9
F	Fuga	10	11	12	9	10	12

Cranking		Crank 18					
A	Thickness of Distance	5	6	7			
F	Fuga	1	2	3			

Page Directions

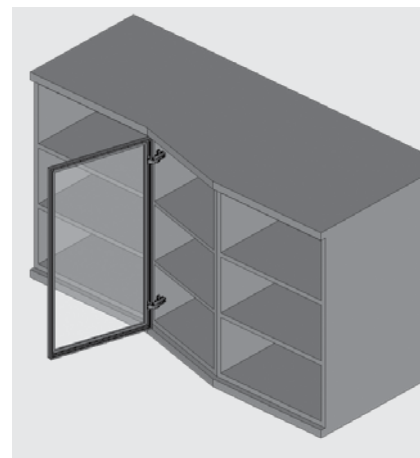
Mounting Plates	Page 158, 160, 163
Distances	Page 176, 177
Decorative Covers	Page 178
Decofix Closing Systems	Page 182
Assembly	Page 185
Dimension Charts and Symbols	Page 186

hinge systems

Decofix Aluminum Profile Star Track Hinge 15°



- Opening Angle : 95°
- Hinge Body : Zamac
- Hinge Cup : Zamac
- Finish : Nickel
- Depth Adj. : ±3 mm
- Packaging : 250 Piece
- Tool free and simple assembling and disassembling of the cabinet doors. Only one touch on the Track mechanism is enough to release and fix the cabinet doors.
- Is used in combination with Samet's Decofix Aluminum Profile.



Decofix Aluminum Profile Star Track 15°

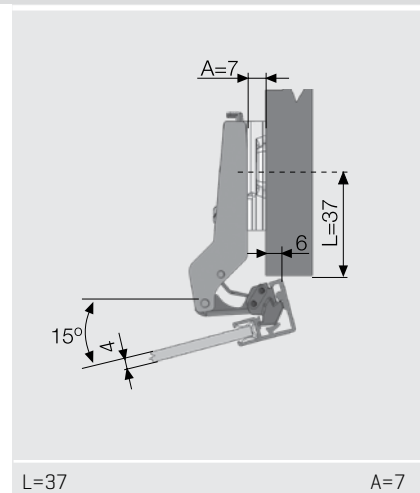
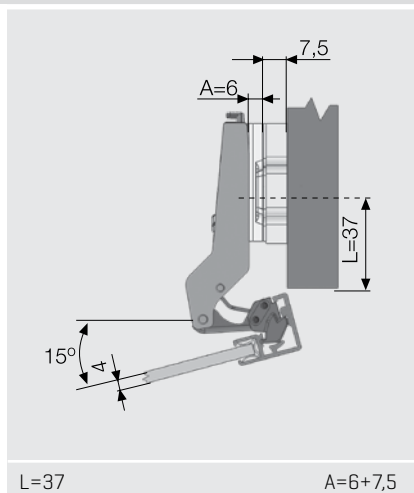
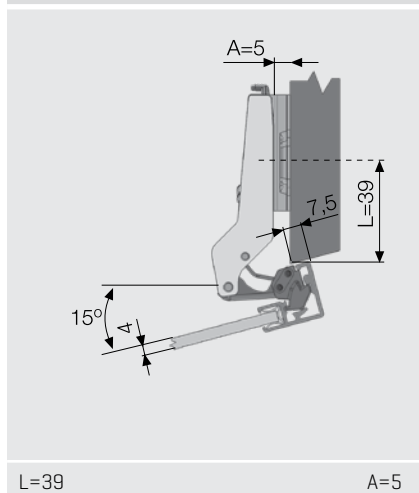
DEFINITION

Decofix Aluminum Profile Star Track Hinge 15°

CODE

10301404

Application Alternatives



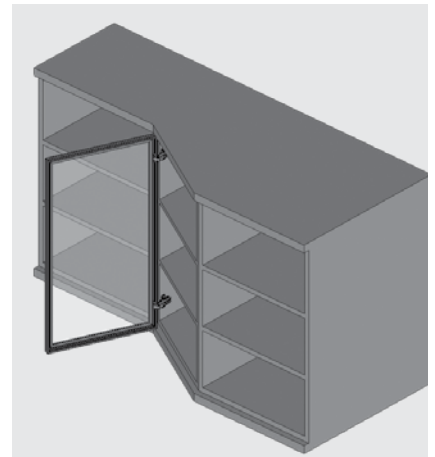
Page Directions

Mounting Plates	Page 158, 160, 163
Distances	Page 176, 177
Decorative Covers	Page 178
Decofix Closing Systems	Page 182
Assembly	Page 185
Dimension Charts and Symbols	Page 186

Decofix Aluminum Profile Star Track Hinge 30°



- Opening Angle : 95°
- Hinge Body : Zamac
- Hinge Cup : Zamac
- Finish : Nickel
- Depth Adj. : ±3 mm
- Packaging : 250 Piece
- Tool free and simple assembling and disassembling of the cabinet doors. Only one touch on the Track mechanism is enough to release and fix the cabinet doors.
- Is used in combination with Samet's Decofix Aluminum Profile.



Decofix Aluminum Profile Star Track 30°

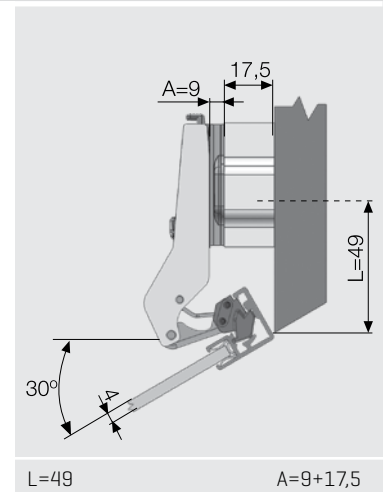
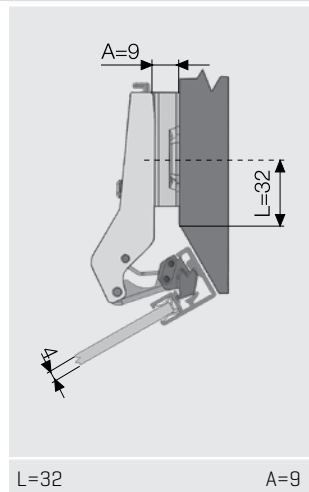
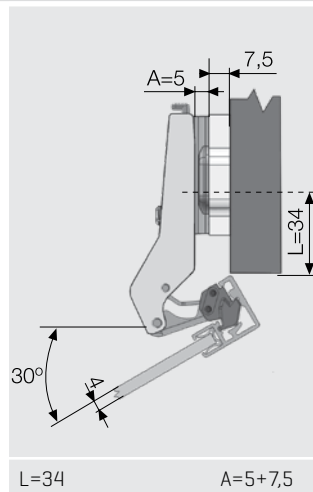
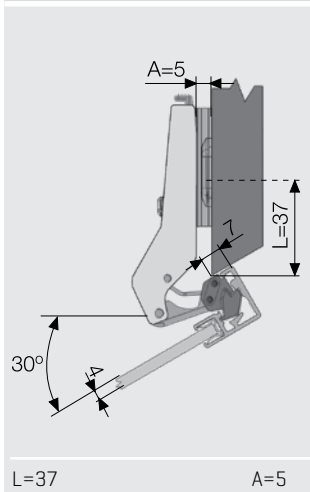
DEFINITION

Decofix Aluminum Profile Star Track Hinge 30°

CODE

10301406

Application Alternatives



Page Directions

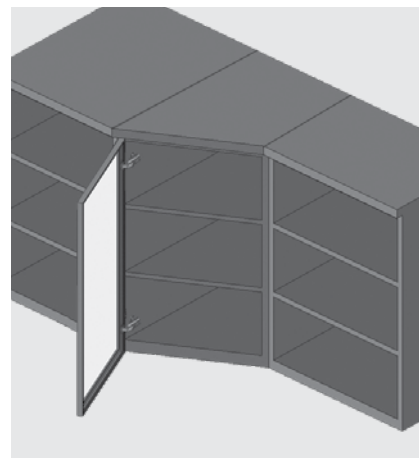
Mounting Plates	Page 158, 160, 163
Distances	Page 176, 177
Decorative Covers	Page 178
Decofix Closing Systems	Page 182
Assembly	Page 185
Dimension Charts and Symbols	Page 186

hinge systems

Decofix Aluminum Profile Star Track Hinge -30°



- Opening Angle : 95°
- Hinge Body : Zamac
- Hinge Cup : Zamac
- Finish : Nickel
- Depth Adj. : ±3 mm
- Packaging : 250 Piece
- Tool free and simple assembling and disassembling of the cabinet doors. Only one touch on the Track mechanism is enough to release and fix the cabinet doors.
- Is used in combination with Samet's Decofix Aluminum Profile.



Decofix Aluminum Profile Star Track -30°

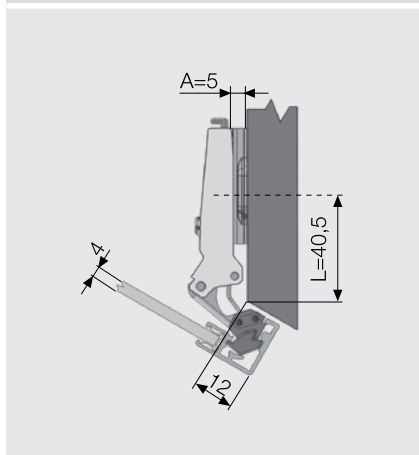
DEFINITION

Decofix Aluminum Profile Star Track Hinge -30°

CODE

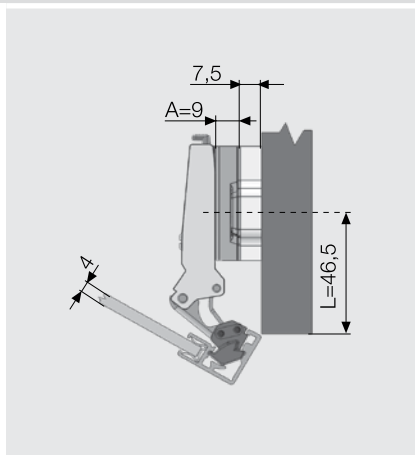
10301407

Application Alternatives



L=40,5

A=5



L=46,5

A=9+7,5

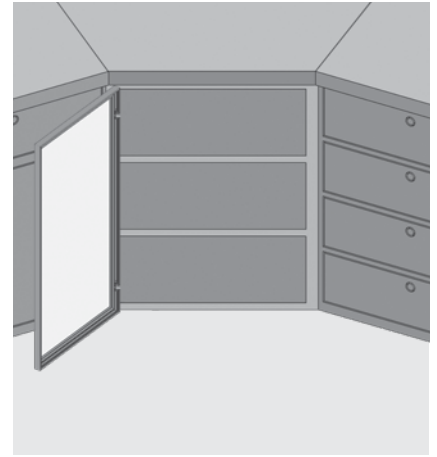
Page Directions

Mounting Plates	Page 158, 160, 163
Distances	Page 176, 177
Decorative Covers	Page 178
Decofix Closing Systems	Page 182
Assembly	Page 185
Dimension Charts and Symbols	Page 186

Decofix Aluminum Profile Star Track Hinge 45°



- Opening Angle : 95°
- Hinge Body : Steel
- Hinge Cup : Zamac
- Finish : Nickel
- Depth Adj. : ±3 mm
- Packaging : 250 Piece
- Tool free and simple assembling and disassembling of the cabinet doors. Only one touch on the Track mechanism is enough to release and fix the cabinet doors.
- Is used in combination with Samet's Decofix Aluminum Profile.



Decofix Aluminum Profile Star Track 45°

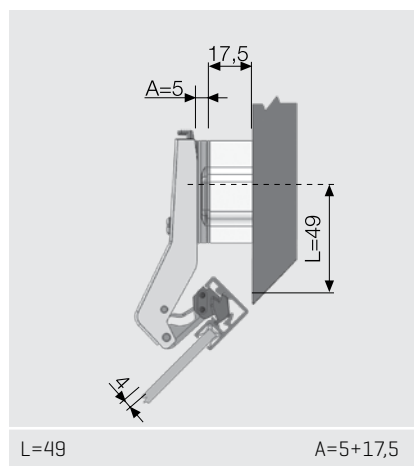
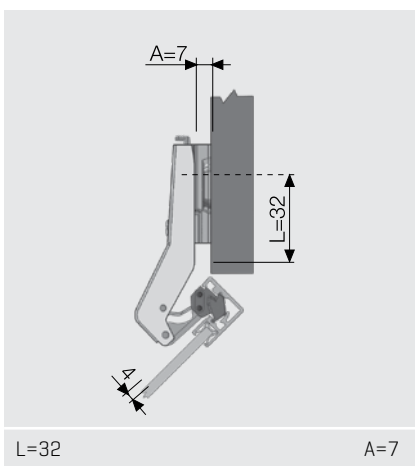
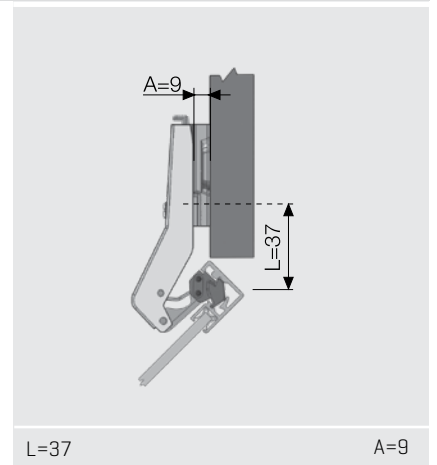
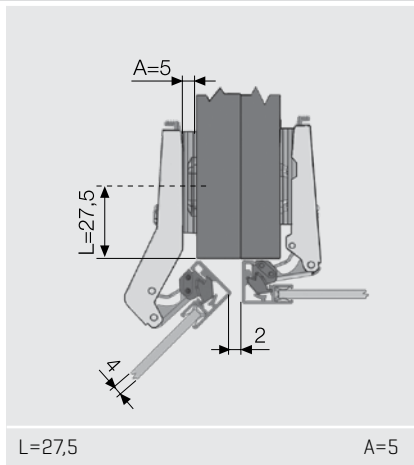
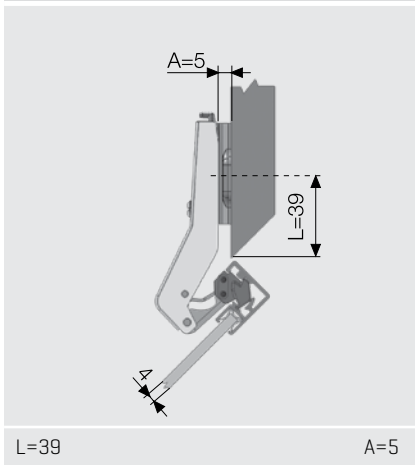
DEFINITION

CODE

Decofix Aluminum Profile Star Track Hinge 45°

10301408

Application Alternatives

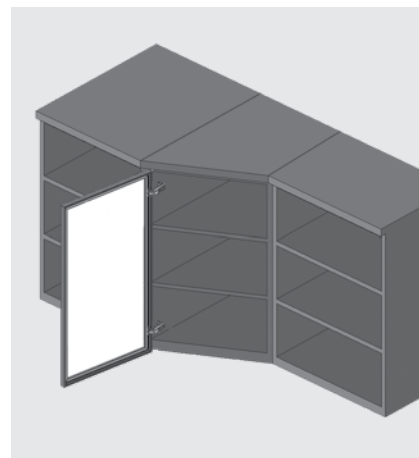


hinge systems

Decofix Aluminum Profile Star Track Hinge -45°



- Opening Angle : 95°
- Hinge Body : Zamac
- Hinge Cup : Zamac
- Finish : Nickel
- Depth Adj. : ±3 mm
- Packaging : 250 Piece
- Tool free and simple assembling and disassembling of the cabinet doors. Only one touch on the Track mechanism is enough to release and fix the cabinet doors.
- Is used in combination with Samet's Decofix Aluminum Profile.



Decofix Aluminum Profile Star Track -45°

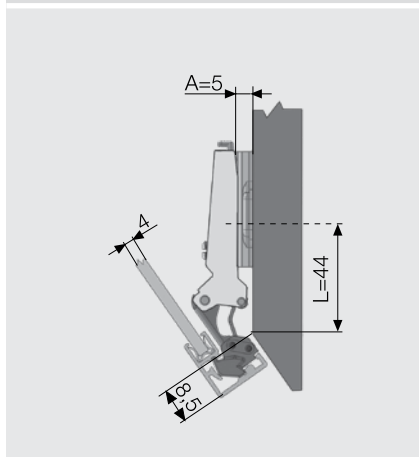
DEFINITION

Decofix Aluminum Profile Star Track Hinge -45°

CODE

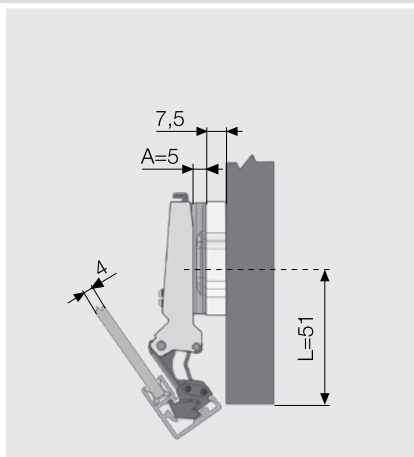
10301409

Application Alternatives



L=44

A=5



L=51

A=5+7,5

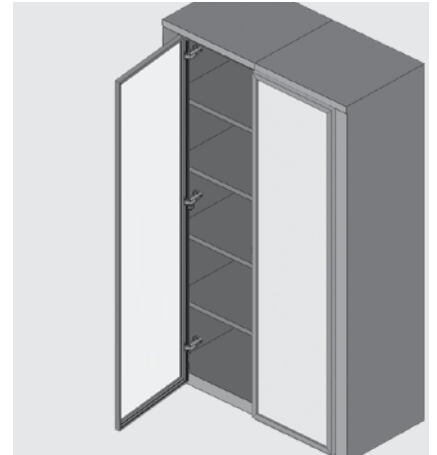
Page Directions

Mounting Plates	Page 158, 160, 163
Distances	Page 176, 177
Decorative Covers	Page 178
Decofix Closing Systems	Page 182
Assembly	Page 185
Dimension Charts and Symbols	Page 186

Decofix Aluminum Profile Star Track Hinge 90°



- Opening Angle : 95°
- Hinge Body : Zamac
- Hinge Cup : Zamac
- Finish : Nickel
- Depth Adj. : ±3 mm
- Packaging : 250 Piece
- Tool free and simple assembling and disassembling of the cabinet doors. Only one touch on the Track mechanism is enough to release and fix the cabinet doors.
- Is used in combination with Samet's Decofix Aluminum Profile.



Decofix Aluminum Profile Star Track 90°

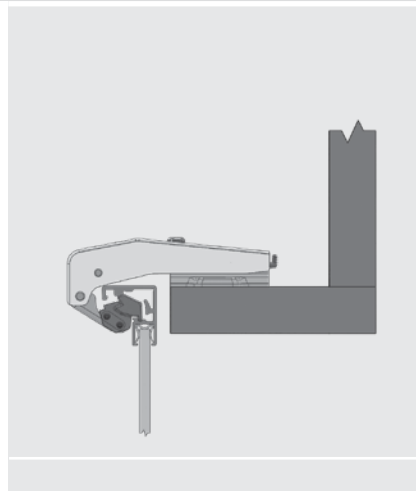
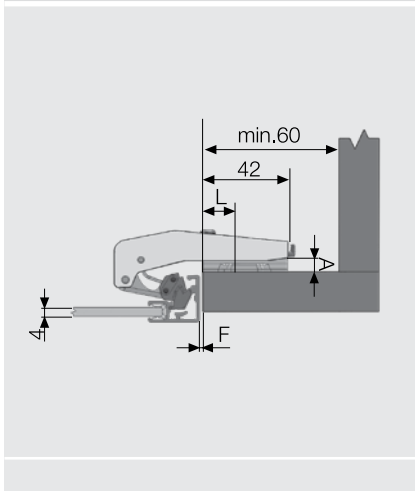
DEFINITION

CODE

Decofix Aluminum Profile Star Track Hinge 90°

10301410

Application Alternatives



Page Directions

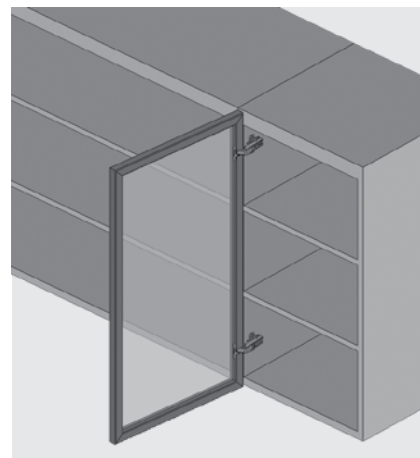
Mounting Plates	Page 158, 160, 163
Distances	Page 176, 177
Decorative Covers	Page 178
Decofix Closing Systems	Page 182
Assembly	Page 185
Dimension Charts and Symbols	Page 186

hinge systems

Aluminum Profile Star Track Hinge




- Opening Angle : 95°
- Hinge Body : Steel
- Hinge Cup : Zamac
- Crank Type : 0-9-18 mm
- Finish : Nickel
- Depth Adj. : ±3 mm
- Packaging : 250 Pieces
- Tool free and simple assembling and disassembling of the cabinet doors. Only one touch on the Track mechanism is enough to release and fix the cabinet doors.



Cranking	Crank 0
DEFINITION	CODE
Aluminum Profile Star Track 0 mm	103114

Cranking	Crank 9
DEFINITION	CODE
Aluminum Profile Star Track 9 mm	103115

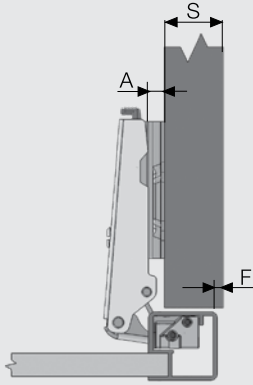
Cranking	Crank 18
DEFINITION	CODE
Aluminum Profile Star Track 18 mm	103116

Screw Options
Ø3,5x9 mm Steel Screw 

Page Directions	
Mounting Plates	Page 158, 160, 163
Distances	Page 176, 177
Decorative Covers	Page 178
Assembly	Page 185
Dimension Charts and Symbols	Page 186

Cranking

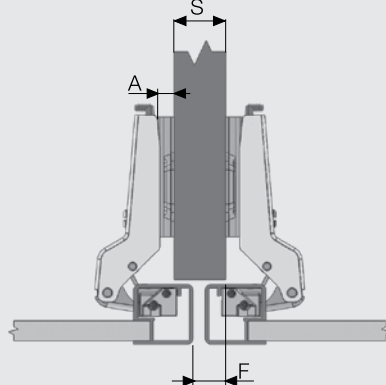
Crank 0



$$A = 23 + F - S$$

Cranking

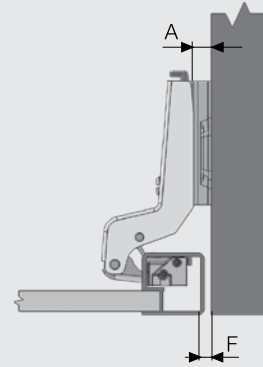
Crank 9



$$A = 14 + F - S$$

Cranking

Crank 18



$$A = 5 + F$$

Calculation Table

Cranking

Crank 0

S	Wall Thickness	18	16		
A	Thickness of Distance	5	7	7	9
F	Minimum Gap	0	2	0	2

Cranking

Crank 9

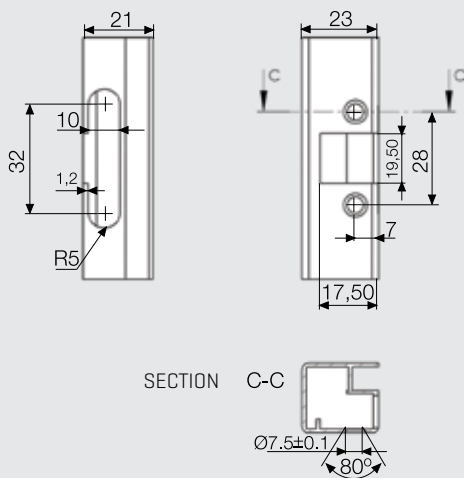
S	Wall Thickness	18	16		
A	Thickness of Distance	6	7	7	-
F	Minimum Gap	10	11	9	-

Cranking

Crank 18

S	Wall Thickness				
A	Thickness of Distance	7	-	-	-
F	Minimum Gap	2	-	-	-

Hinge Cup Dimensions

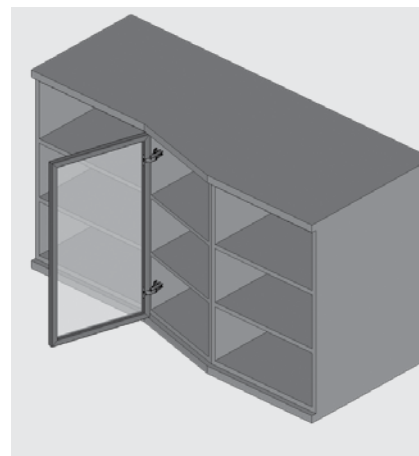


hinge systems

Aluminum Profile Star Track Hinge 15°



- Opening Angle : 95°
- Hinge Body : Zamac
- Hinge Cup : Zamac
- Finish : Nickel
- Depth Adj. : ±3 mm
- Packaging : 250 Pieces
- Tool free and simple assembling and disassembling of the cabinet doors. Only one touch on the Track mechanism is enough to release and fix the cabinet doors.



Aluminum Profile Star Track 15°

DEFINITION

Aluminum Profile Star Track 15°

CODE

103337

Screw Options

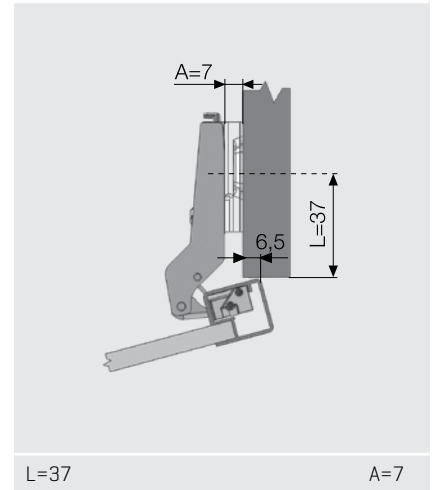
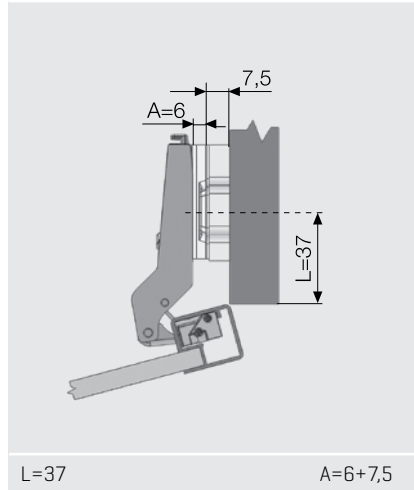
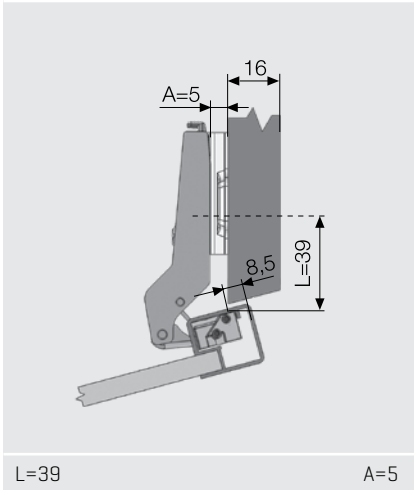
Ø3,5x9 mm Steel Screw



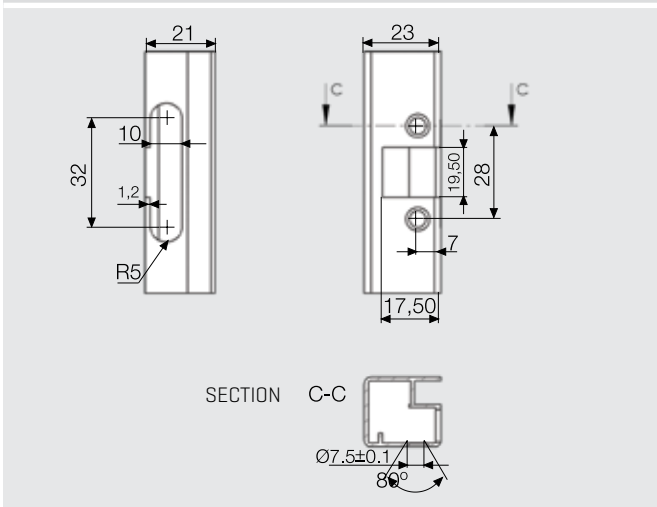
Page Directions

Mounting Plates	Page 158, 160, 163
Distances	Page 176, 177
Decorative Covers	Page 178
Assembly	Page 185
Dimension Charts and Symbols	Page 186

Application Alternatives



Hinge Cup Dimensions

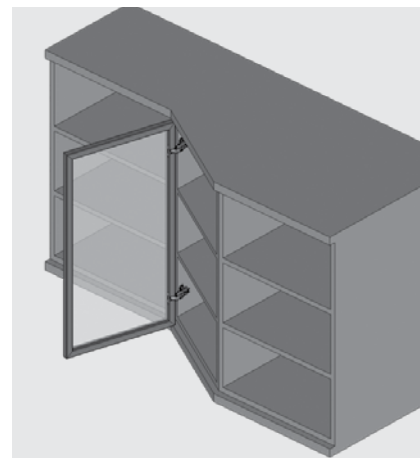


hinge systems

Aluminum Profile Star Track Hinge 30°



- Opening Angle : 95°
- Hinge Body : Zamac
- Hinge Cup : Zamac
- Finish : Nickel
- Depth Adj. : ±3 mm
- Packaging : 250 Pieces
- Tool free and simple assembling and disassembling of the cabinet doors. Only one touch on the Track mechanism is enough to release and fix the cabinet doors.



Aluminum Profile Star Track 30°

DEFINITION

Aluminum Profile Star Track 30°

CODE

103338

Screw Options

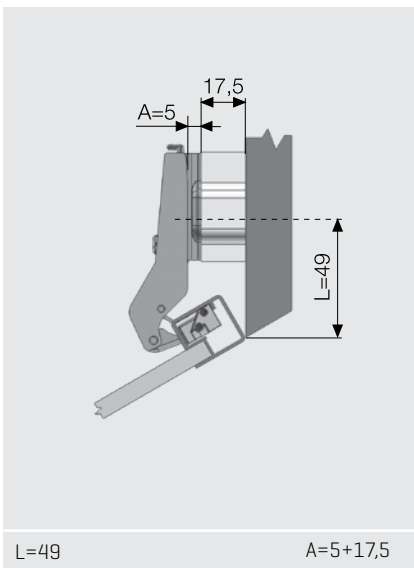
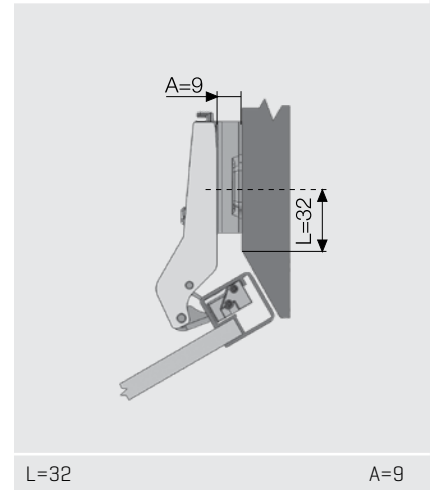
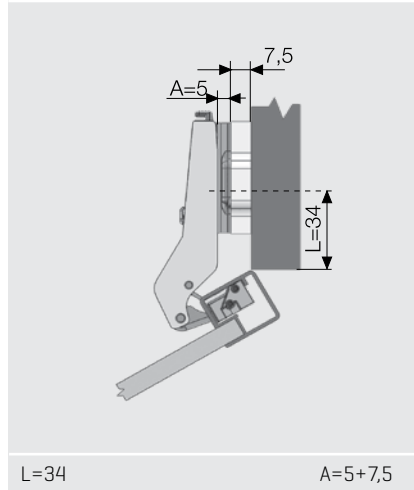
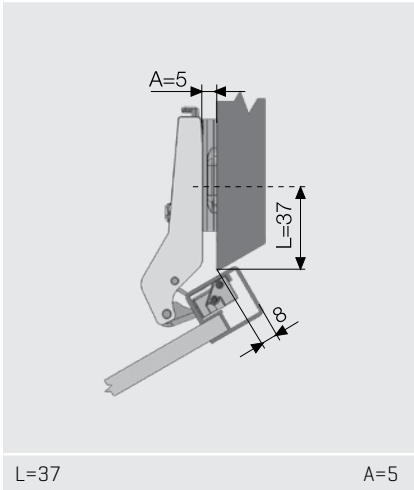
Ø3,5x9 mm Steel Screw



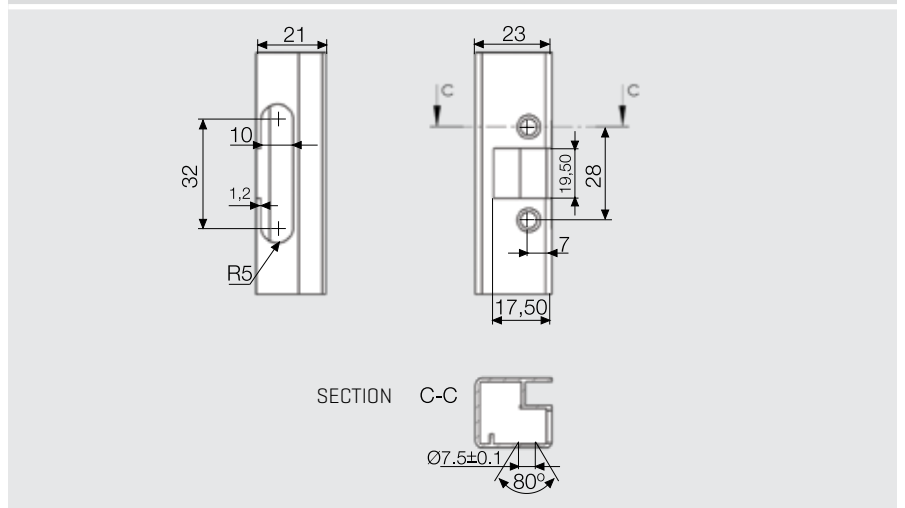
Page Directions

Mounting Plates	Page 158, 160, 163
Distances	Page 176, 177
Decorative Covers	Page 178
Assembly	Page 185
Dimension Charts and Symbols	Page 186

Application Alternatives



Hinge Cup Dimensions

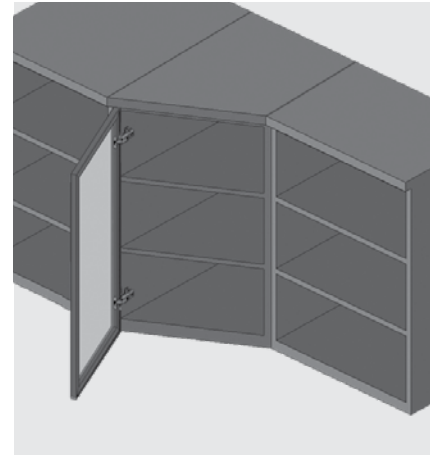


hinge systems

Aluminum Profile Star Track Hinge -30°



- Opening Angle : 95°
- Hinge Body : Zamac
- Hinge Cup : Zamac
- Finish : Nickel
- Depth Adj. : ±3 mm
- Packaging : 250 Pieces
- Tool free and simple assembling and disassembling of the cabinet doors. Only one touch on the Track mechanism is enough to release and fix the cabinet doors.



Aluminum Profile Star Track -30°

DEFINITION	CODE
Aluminum Profile Star Track -30°	103339

Screw Options

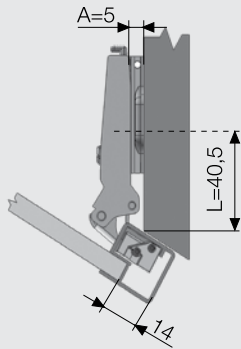
Ø3,5x9 mm Steel Screw



Page Directions

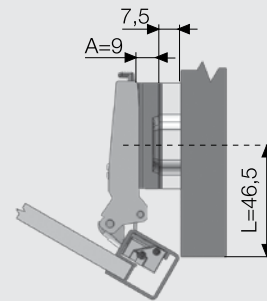
Mounting Plates	Page 158, 160, 163
Distances	Page 176, 177
Decorative Covers	Page 178
Assembly	Page 185
Dimension Charts and Symbols	Page 186

Application Alternatives



L=40,5

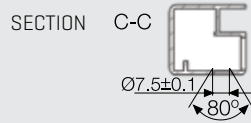
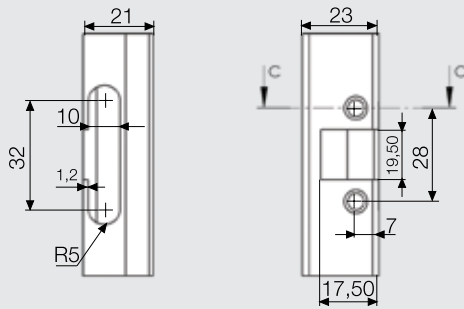
A=5



L=46,5

A=9+7,5

Hinge Cup Dimensions

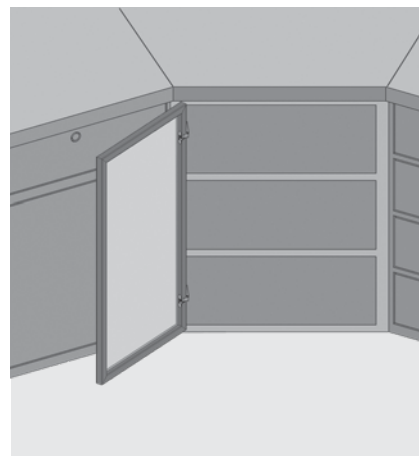


hinge systems

Aluminum Profile Star Track Hinge 45°



- Opening Angle : 95°
- Hinge Body : Steel
- Hinge Cup : Zamac
- Finish : Nickel
- Depth Adj. : ±3 mm
- Packaging : 250 Pieces
- Tool free and simple assembling and disassembling of the cabinet doors. Only one touch on the Track mechanism is enough to release and fix the cabinet doors.



Aluminum Profile Star Track 45°

DEFINITION

Aluminum Profile Star Track 45°

CODE

103340

Screw Options

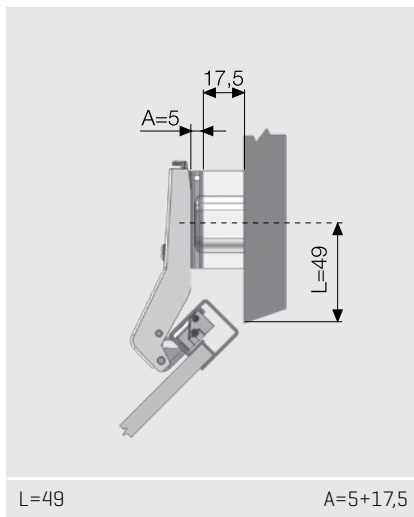
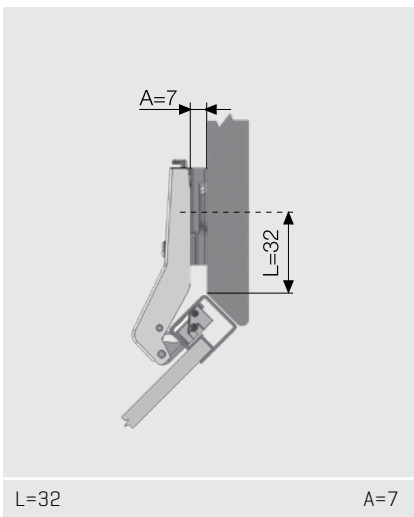
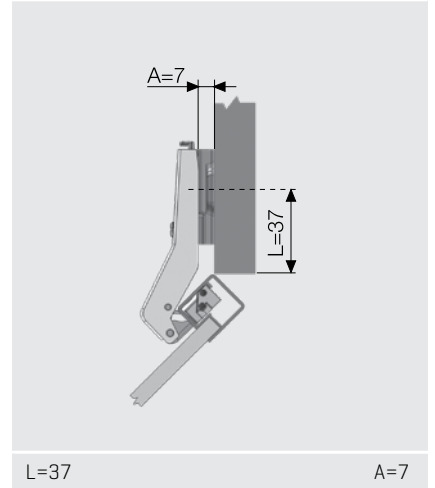
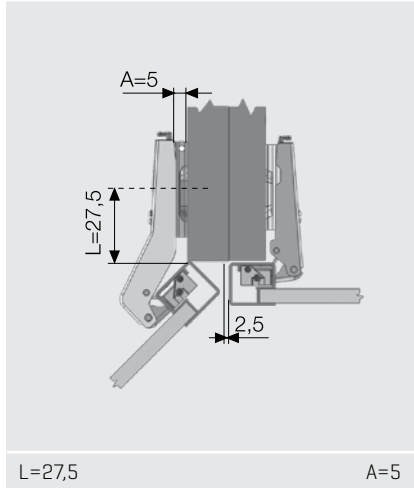
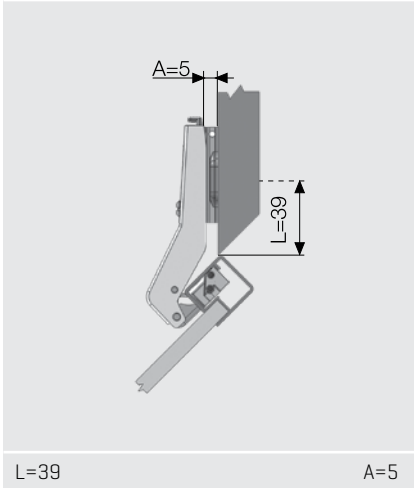
Ø3,5x9 mm Steel Screw



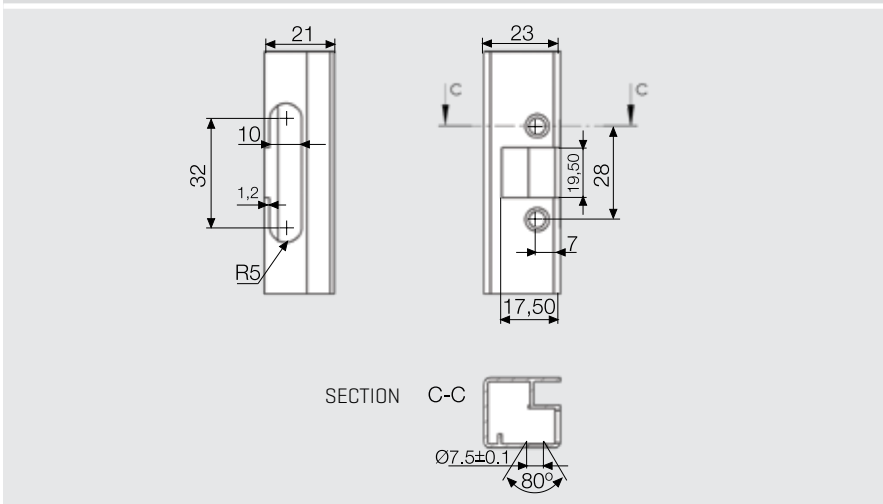
Page Directions

Mounting Plates	Page 158, 160, 163
Distances	Page 176, 177
Decorative Covers	Page 178
Assembly	Page 185
Dimension Charts and Symbols	Page 186

Application Alternatives



Hinge Cup Dimensions

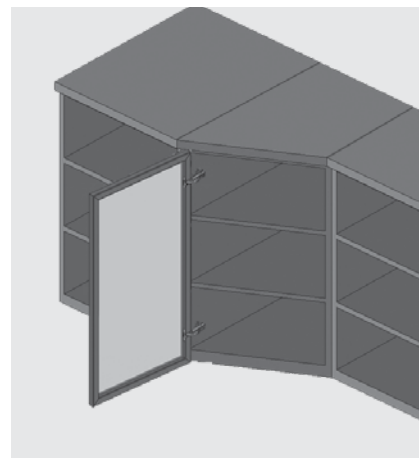


hinge systems

Aluminum Profile Star Track Hinge -45°



- Opening Angle : 95°
- Hinge Body : Steel
- Hinge Cup : Zamac
- Finish : Nickel
- Depth Adj. : ±3 mm
- Packaging : 250 Piece
- Tool free and simple assembling and disassembling of the cabinet doors. Only one touch on the Track mechanism is enough to release and fix the cabinet doors.



Aluminum Profile Star Track -45°

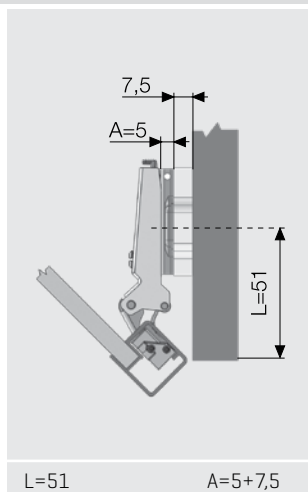
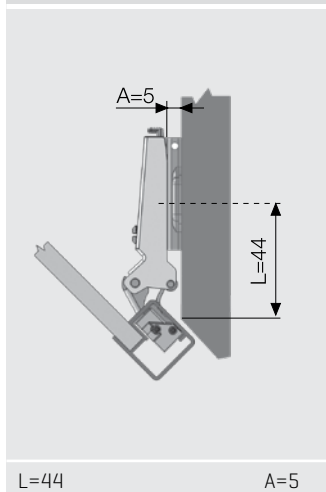
DEFINITION

CODE

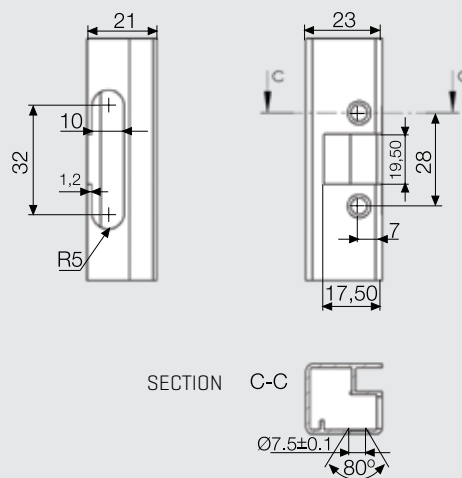
Aluminum Profile Star Track Hinge -45°

103341

Application Alternatives



Hinge Cup Dimensions



Screw Options

Ø3,5x9 mm Steel Screw



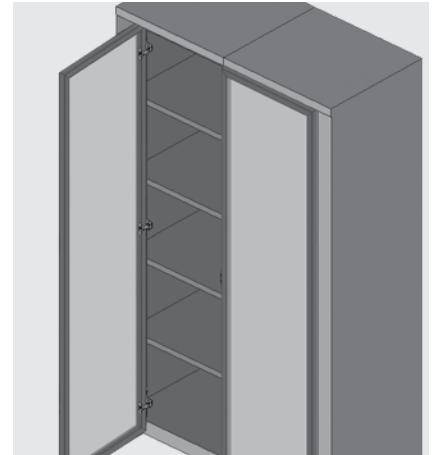
Page Directions

Mounting Plates	Page 158, 160-163
Distances	Page 176, 177
Decorative Covers	Page 178
Assembly	Page 185
Dimension Charts and Symbols	Page 182

Aluminum Profile Star Track Hinge 90°



- Opening Angle : 95°
- Cup Diameter : 35 mm
- Hinge Body : Zamac
- Hinge Cup : Zamac
- Finish : Nickel
- Depth Adj. : ±3 mm
- Packaging : 250 Piece
- Tool free and simple assembling and disassembling of the cabinet doors. Only one touch on the Track mechanism is enough to release and fix the cabinet doors.



Aluminum Profile Star Track 90°

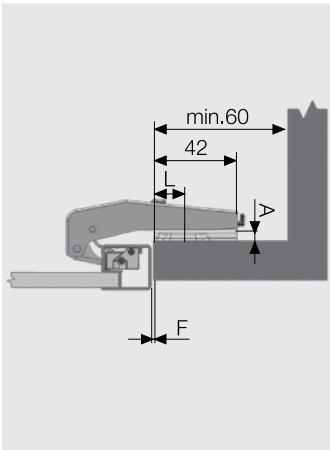
DEFINITION

CODE

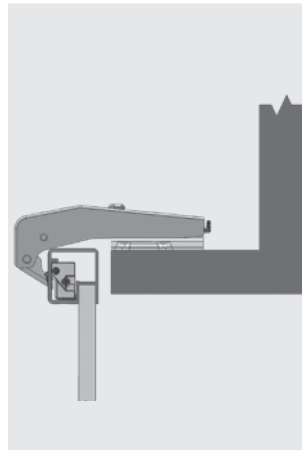
Aluminum Profile Star Track Hinge 90°

103342

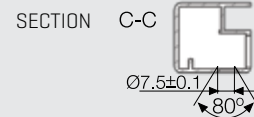
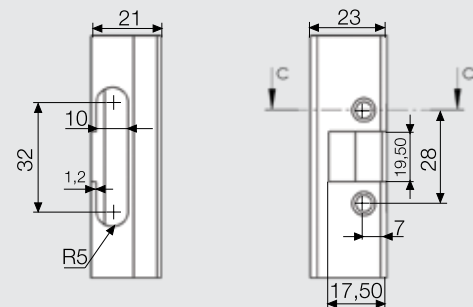
Application Alternatives



L=19 A=5 A=2



Hinge Cup Dimensions



Screw Options

Ø3,5x9 mm Steel Screw



Page Directions

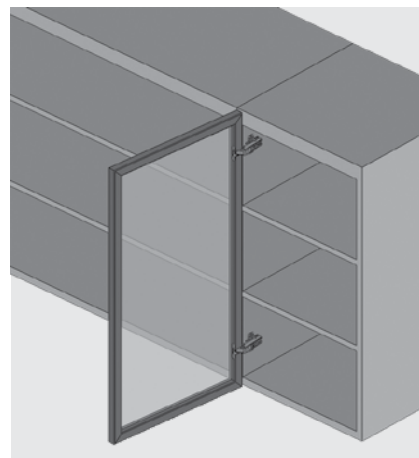
Mounting Plates	Page 158, 160-163
Distances	Page 176, 177
Decorative Covers	Page 178
Assembly	Page 185
Dimension Charts and Symbols	Page 182

hinge systems

Aluminum Narrow Profile Master Soft Close Hinge



- Opening Angle : 95°
 - Hinge Body : Steel
 - Hinge Body : Zamac
 - Crank Type : 0-9-18 mm
 - Finish : Nickel
 - Depth Adj. : ±2 mm
 - Packaging : 125 Pieces
- Tool free and simple assembling and disassembling of the cabinet doors.
Only one touch on the Track mechanism is enough to release and fix the cabinet doors.



Cranking		Crank 0
DEFINITION		CODE
Aluminum Narrow Profile Master Soft Close Hinge 0 mm		10320041

Cranking		Crank 9
DEFINITION		CODE
Aluminum Narrow Profile Master Soft Close Hinge 9 mm		10320042

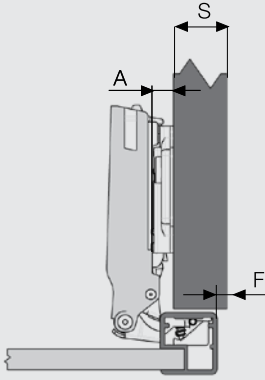
Cranking		Crank 18
DEFINITION		CODE
Aluminum Narrow Profile Master Soft Close Hinge 18 mm		10320043

Screw Options	
Ø3,5x9 mm Steel Screw	

Page Directions	
Mounting Plates	Page 156-159
Decorative Covers	Page 178
Assembly	Page 185
Dimension Charts and Symbols	Page 182

Cranking

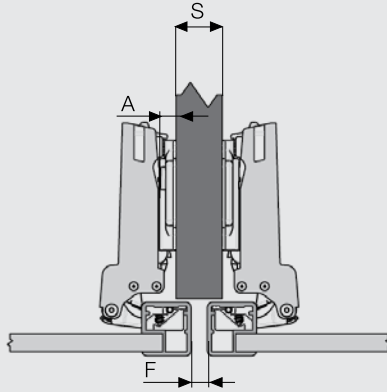
Crank 0



$A = 23 + F - S$

Cranking

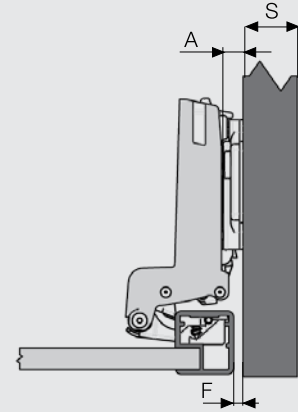
Crank 9



$A = 14 + F - S$

Cranking

Crank 18



$A = 5 + F$

Calculation Table

Cranking **Crank 0**

S	Wall Thickness	18	16		
A	Thickness of Distance	5	7	7	9
F	Fuga	0	2	0	2

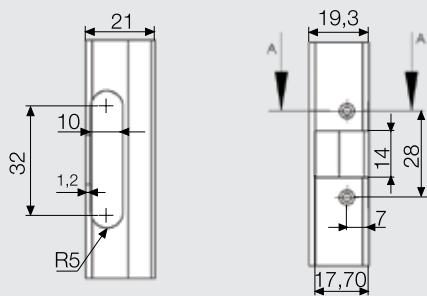
Cranking **Crank 9**

S	Wall Thickness	18	16		
A	Thickness of Distance	6	7	7	-
F	Fuga	10	11	9	-

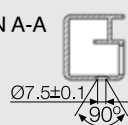
Cranking **Crank 18**

A	Thickness of Distance	7	-	-	-
F	Fuga	2	-	-	-

Hinge Cup Dimensions



SECTION A-A

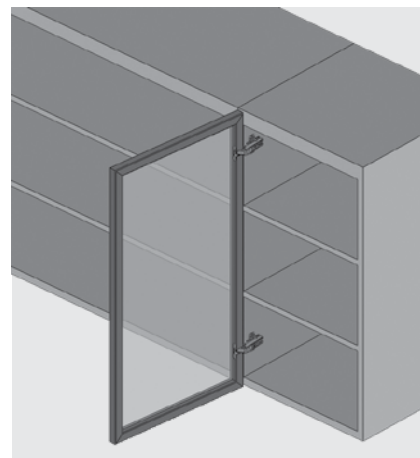


hinge systems

Aluminum Narrow Profile Master Hinge




- Opening Angle : 95°
 - Hinge Body : Steel
 - Hinge Body : Zamac
 - Crank Type : 0-9-18 mm
 - Finish : Nickel
 - Depth Adj. : ±2 mm
 - Packaging : 125 Pieces
- Tool free and simple assembling and disassembling of the cabinet doors.
Only one touch on the Track mechanism is enough to release and fix the cabinet doors.



Cranking		Crank 0
DEFINITION		CODE
Aluminum Narrow Profile Master Hinge 0 mm		10321041

Cranking		Crank 9
DEFINITION		CODE
Aluminum Narrow Profile Master Hinge 9 mm		10321042

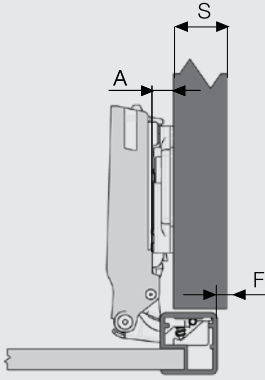
Cranking		Crank 18
DEFINITION		CODE
Aluminum Narrow Profile Master Hinge 18 mm		10321043

Screw Options	
Ø3,5x9 mm Steel Screw	

Page Directions	
Mounting Plates	Page 156-159
Decorative Covers	Page 178
Assembly	Page 185
Dimension Charts and Symbols	Page 182

Cranking

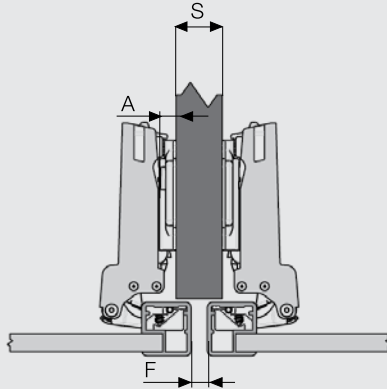
Crank 0



$A = 23 + F - S$

Cranking

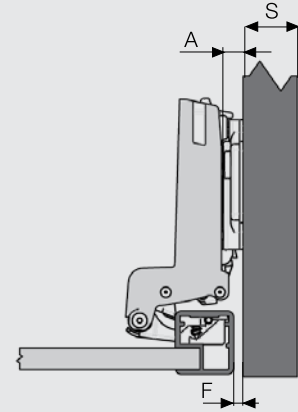
Crank 9



$A = 14 + F - S$

Cranking

Crank 18



$A = 5 + F$

Calculation Table

Cranking **Crank 0**

S	Wall Thickness	18	16		
A	Thickness of Distance	5	7	7	9
F	Fuga	0	2	0	2

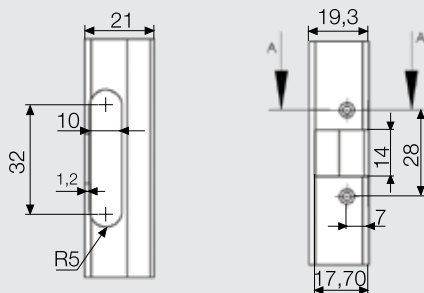
Cranking **Crank 9**

S	Wall Thickness	18	16		
A	Thickness of Distance	6	7	7	-
F	Fuga	10	11	9	-

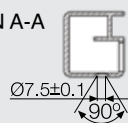
Cranking **Crank 18**

A	Thickness of Distance	7	-	-	-
F	Fuga	2	-	-	-

Hinge Cup Dimensions



SECTION A-A

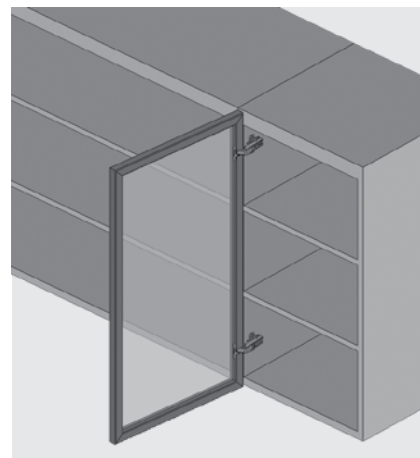


hinge systems

Aluminum Narrow Profile Star Track Hinge




- Opening Angle : 95°
- Hinge Body : Steel
- Hinge Cup : Zamac
- Crank Type : 0-9-18 mm
- Finish : Nickel
- Depth Adj. : ±3 mm
- Packaging : 250 Pieces
- Tool free and simple assembling and disassembling of the cabinet doors. Only one touch on the Track mechanism is enough to release and fix the cabinet doors.



Cranking 0 mm	
Code List	
DEFINITION	CODE
Aluminum Narrow Profile Star Track Hinge 0 mm	103214

Cranking 9 mm	
Code List	
DEFINITION	CODE
Aluminum Narrow Profile Star Track Hinge 9 mm	103215

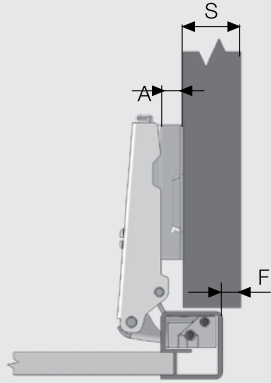
Cranking 18 mm	
Code List	
DEFINITION	CODE
Aluminum Narrow Profile Star Track Hinge 18 mm	103216

Screw Options	
Ø3,5x9 mm Steel Screw	

Page Directions	
Mounting Plates	Page 158, 160-163
Distances	Page 176, 177
Decorative Covers	Page 178
Assembly	Page 185
Dimension Charts and Symbols	Page 182

Cranking

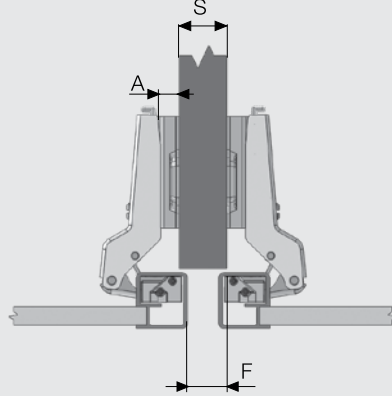
0 mm



$$A = 23 + F - S$$

Cranking

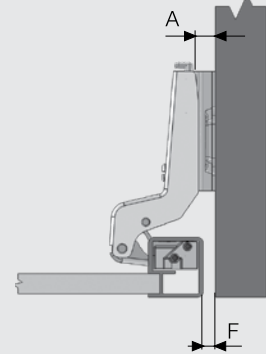
9 mm



$$A = 14 + F - S$$

Cranking

18 mm



$$A = 5 + F$$

Calculation Table

Cranking

0 mm

S	Wall Thickness	18	16		
A	Thickness of Distance	5	7	7	9
F	Minimum Gap	0	2	0	2

Cranking

9 mm

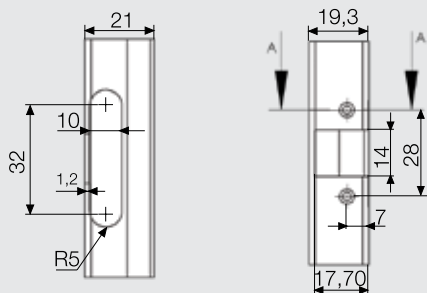
S	Wall Thickness	18	16		
A	Thickness of Distance	6	7	7	-
F	Minimum Gap	10	11	9	-

Cranking

18 mm

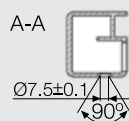
A	Thickness of Distance	7	-	-	-
F	Minimum Gap	2	-	-	-

Hinge Cup Dimensions



SECTION

A-A

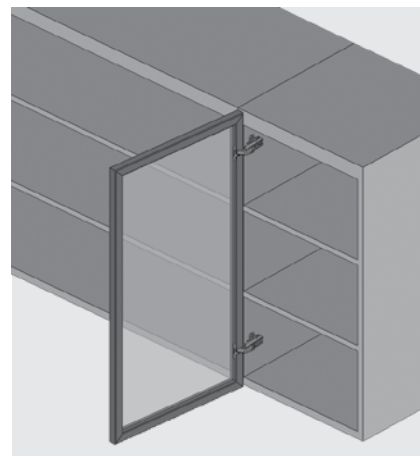


hinge systems

Aluminum Profile Star Hinge




- Opening Angle : 95°
- Hinge Body : Steel
- Hinge Cup : Zamac
- Crank Type : 0-9-18 mm
- Finish : Nickel
- Depth Adj. : ±3 mm
- Packaging : 250 Pieces



Cranking		0 mm
DEFINITION		CODE
Aluminum Profile Star Hinge 0 mm		103111

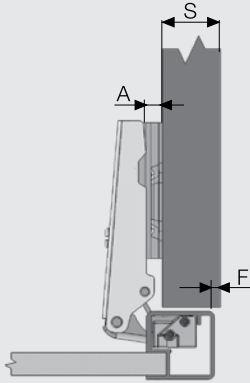
Cranking		9 mm
DEFINITION		CODE
Aluminum Profile Star Hinge 9 mm		103112

Cranking		18 mm
DEFINITION		CODE
Aluminum Profile Star Hinge 18 mm		103113

Screw Options	
Ø3,5x9 mm Steel Screw	

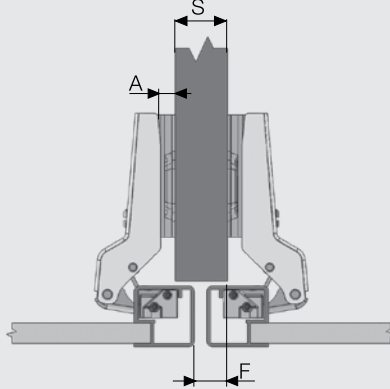
Page Directions	
Mounting Plates	Page 164
Distances	Page 176, 177
Decorative Covers	Page 178
Assembly	Page 185
Dimension Charts and Symbols	Page 182

Cranking **0 mm**



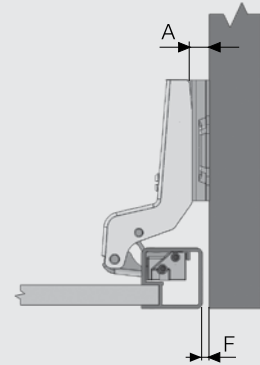
$A = 23 + F - S$

Cranking **9 mm**



$A = 14 + F - S$

Cranking **18 mm**



$A = F + T$

Calculation Table

Cranking **0 mm**

S	Wall Thickness	18	16				
A	Thickness of Distance	5	6	7	7	9	-
F	Minimum Gap	0	1	2	0	2	-

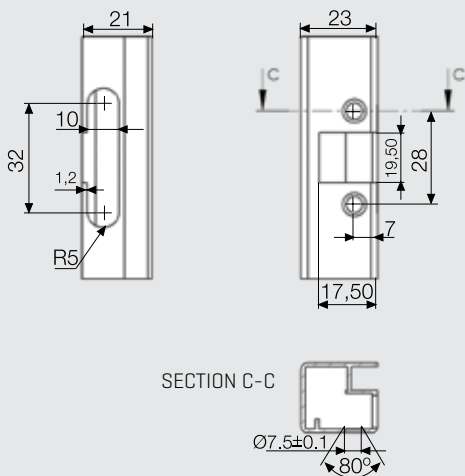
Cranking **9 mm**

S	Wall Thickness	18	16				
A	Thickness of Distance	6	7	-	7	9	-
F	Minimum Gap	-	10	11	-	9	11

Cranking **18 mm**

A	Thickness of Distance	6	7	-	-	-	-
F	Minimum Gap	-	1	2	-	-	-

Hinge Cup Dimensions

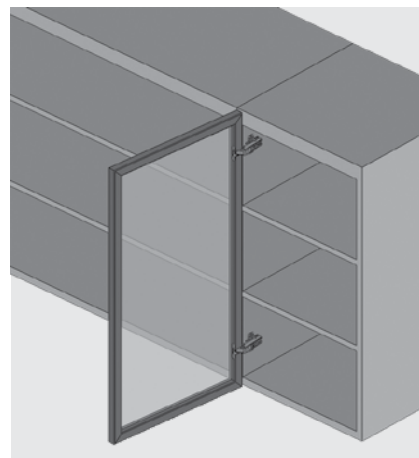


hinge systems

Aluminum Narrow Profile Star Hinge




- Opening Angle : 95°
- Hinge Body : Steel
- Hinge Cup : Zamac
- Crank Type : 0-9-18 mm
- Finish : Nickel
- Depth Adj. : ±3 mm
- Packaging : 250 Pieces



Cranking	0 mm
DEFINITION	CODE
Aluminum Narrow Profile Star Hinge 0 mm	103211

Cranking	9 mm
DEFINITION	CODE
Aluminum Narrow Profile Star Hinge 9 mm	103212

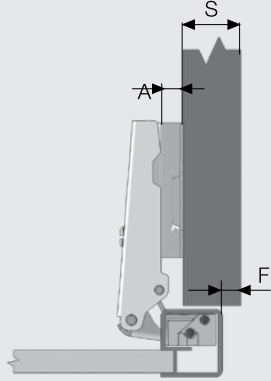
Cranking	18 mm
DEFINITION	CODE
Aluminum Narrow Profile Star Hinge 18 mm	103213

Screw Options	
Ø3,5x9 mm Steel Screw	

Page Directions	
Mounting Plates	Page 164
Distances	Page 176, 177
Decorative Covers	Page 178
Assembly	Page 185
Dimension Charts and Symbols	Page 182

Cranking

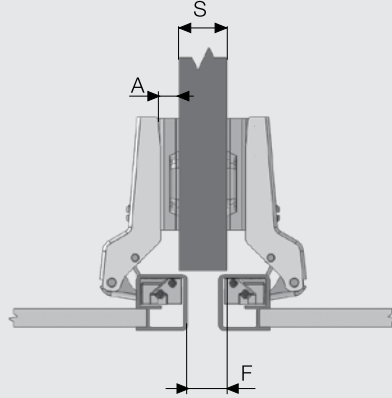
0 mm



$$A = 23 + F - S$$

Cranking

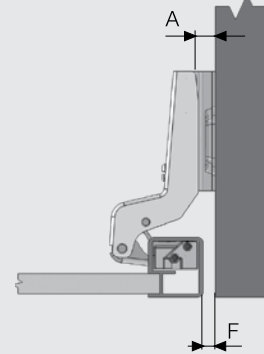
9 mm



$$A = 14 + F - S$$

Cranking

18 mm



$$A = 5 + F$$

Calculation Table

Cranking

0 mm

S	Wall Thickness	18	16		
A	Thickness of Distance	5	7	7	9
F	Minimum Gap	-	-	-	-

Cranking

9 mm

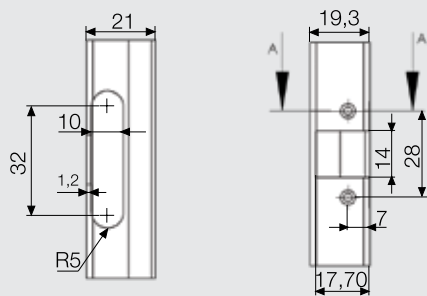
S	Wall Thickness	18	16		
A	Thickness of Distance	7	-	7	-
F	Minimum Gap	4	-	2	-

Cranking

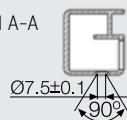
18 mm

A	Thickness of Distance	7	-	-	-
F	Minimum Gap	2	-	-	-

Hinge Cup Dimensions



SECTION A-A

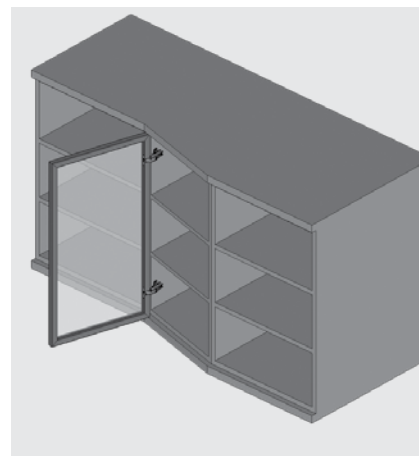


hinge systems

Aluminum Narrow Profile Star Hinge 15°



- Opening Angle : 95°
- Hinge Body : Zamac
- Hinge Cup : Zamac
- Finish : Nickel
- Depth Adj. : ±3 mm
- Packaging : 250 Pieces



Aluminum Narrow Profile Star Hinge 15°

DEFINITION

Aluminum Narrow Profile Star Hinge 15°

CODE

103217

Screw Options

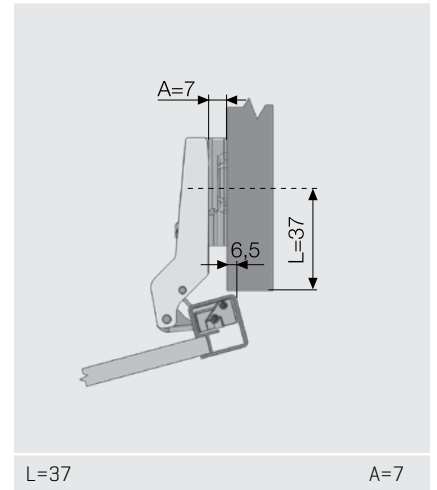
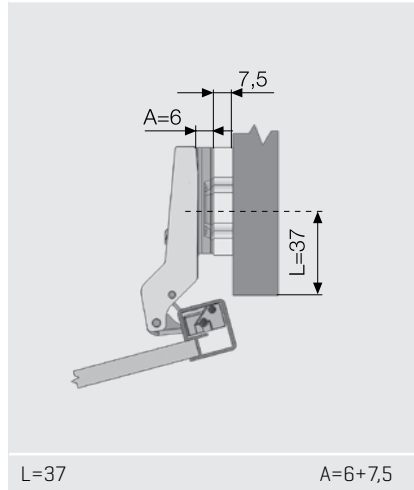
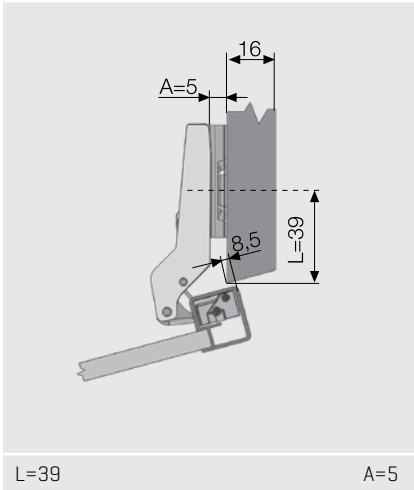
Ø3,5x9 mm Steel Screw



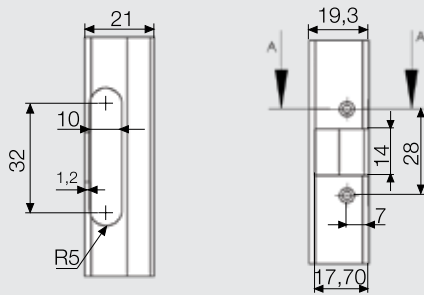
Page Directions

Mounting Plates	Page 164
Distances	Page 176, 177
Decorative Covers	Page 178
Assembly	Page 185
Dimension Charts and Symbols	Page 182

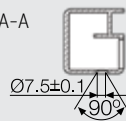
Application Alternatives



Hinge Cup Dimensions



SECTION A-A

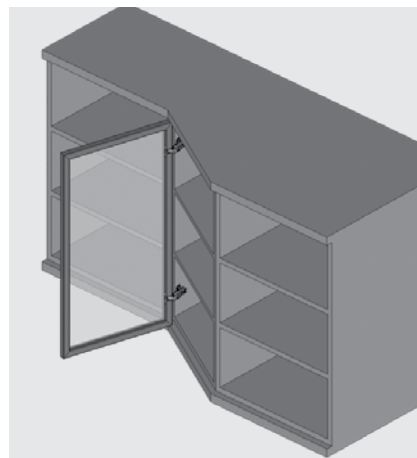


hinge systems

Aluminum Narrow Profile Star Hinge 30°



- Opening Angle : 95°
- Hinge Body : Zamac
- Hinge Cup : Zamac
- Finish : Nickel
- Depth Adj. : ±3 mm
- Packaging : 250 Pieces



Aluminum Narrow Profile Star Hinge 30°

DEFINITION

Aluminum Narrow Profile Star Hinge 30°

CODE

103218

Screw Options

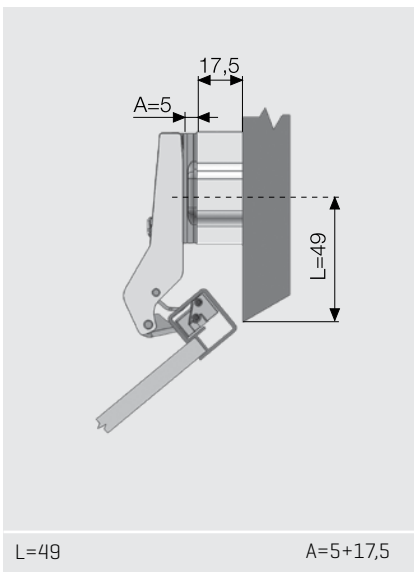
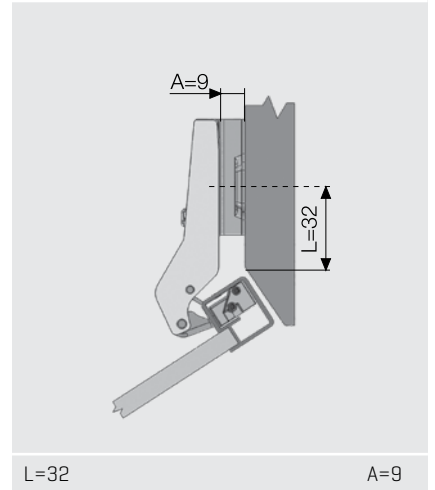
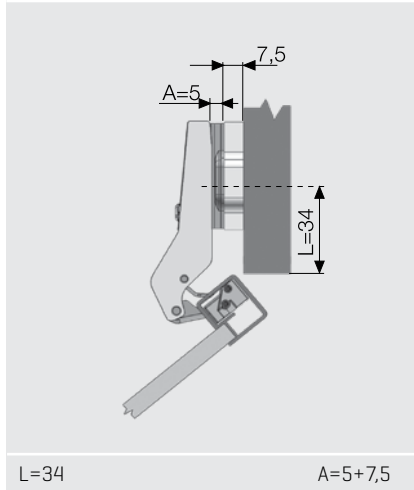
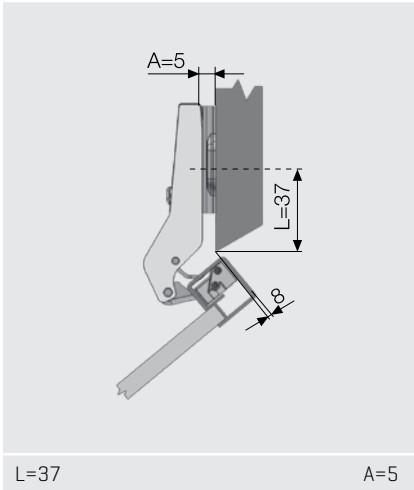
Ø3,5x9 mm Steel Screw



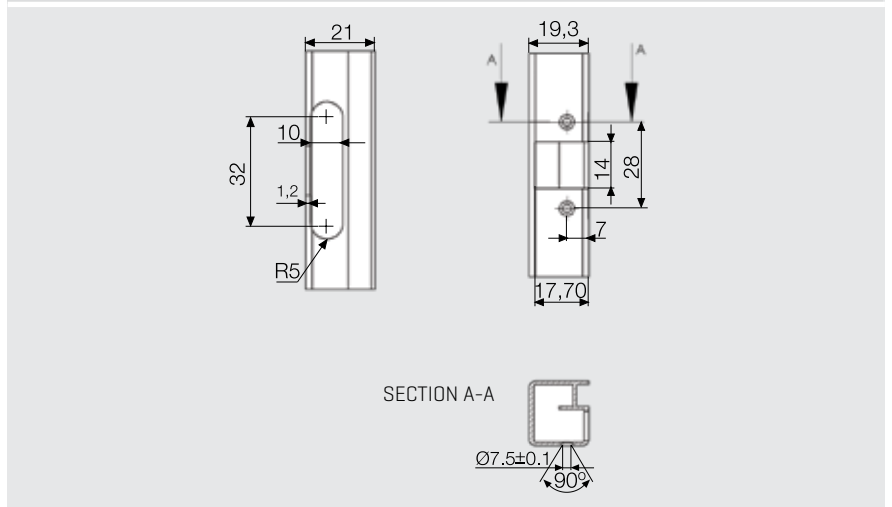
Page Directions

Mounting Plates	Page 164
Distances	Page 176, 177
Decorative Covers	Page 178
Assembly	Page 185
Dimension Charts and Symbols	Page 182

Application Alternatives



Hinge Cup Dimensions

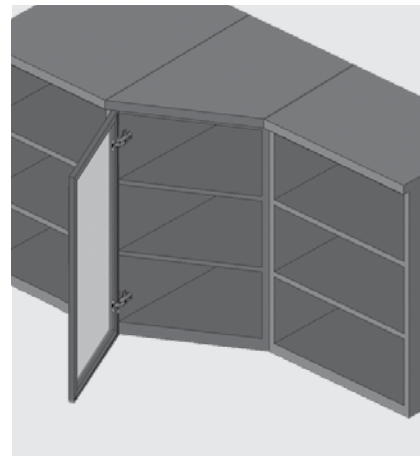


hinge systems

Aluminum Narrow Profile Star Hinge -30°



- Opening Angle : 95°
- Hinge Body : Zamac
- Hinge Cup : Zamac
- Finish : Nickel
- Depth Adj. : ±3 mm
- Packaging : 250 Pieces



Aluminum Narrow Profile Star Hinge -30°

DEFINITION

Aluminum Narrow Profile Star Hinge -30°

CODE

103219

Screw Options

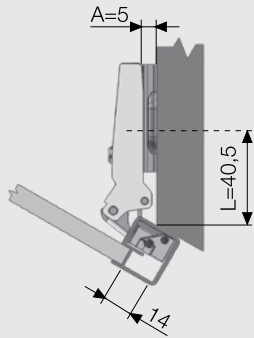
Ø3,5x9 mm Steel Screw



Page Directions

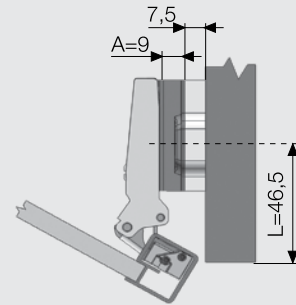
Mounting Plates	Page 164
Distances	Page 176, 177
Decorative Covers	Page 178
Assembly	Page 185
Dimension Charts and Symbols	Page 182

Application Alternatives



L=40,5

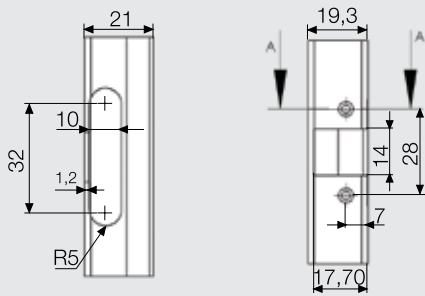
A=5



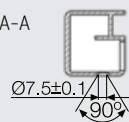
L=46,5

A=9+7,5

Hinge Cup Dimensions



SECTION A-A

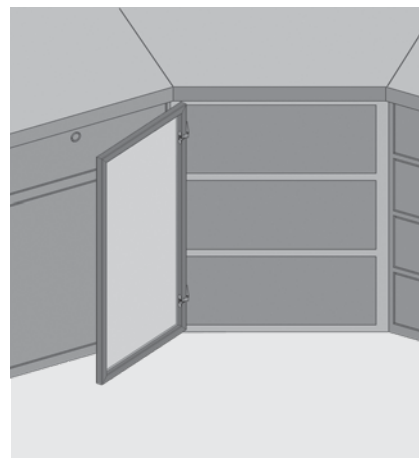


hinge systems

Aluminum Narrow Profile Star Hinge 45°



- Opening Angle : 95°
- Hinge Body : Steel
- Hinge Cup : Zamac
- Finish : Nickel
- Depth Adj. : ±3 mm
- Packaging : 250 Pieces



Aluminum Narrow Profile Star Hinge 45°

DEFINITION

Aluminum Narrow Profile Star Hinge 45°

CODE

103220

Screw Options

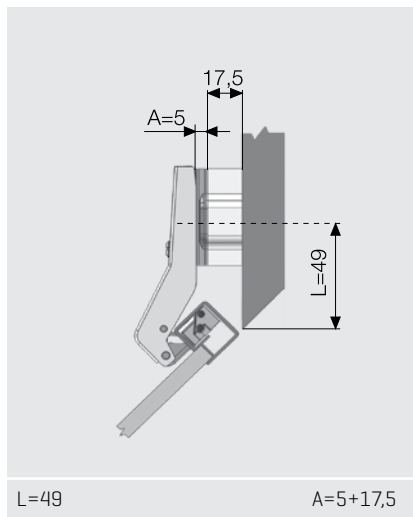
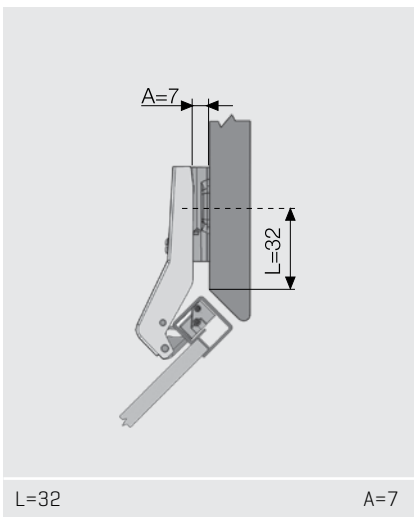
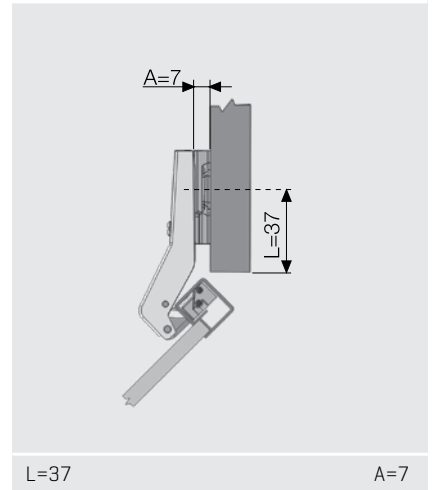
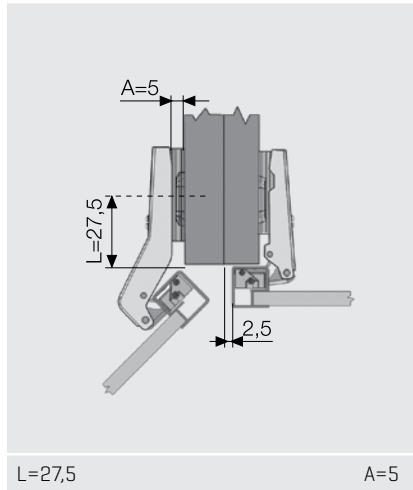
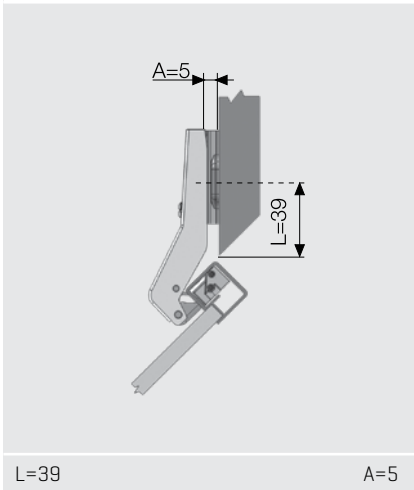
Ø3,5x9 mm Steel Screw



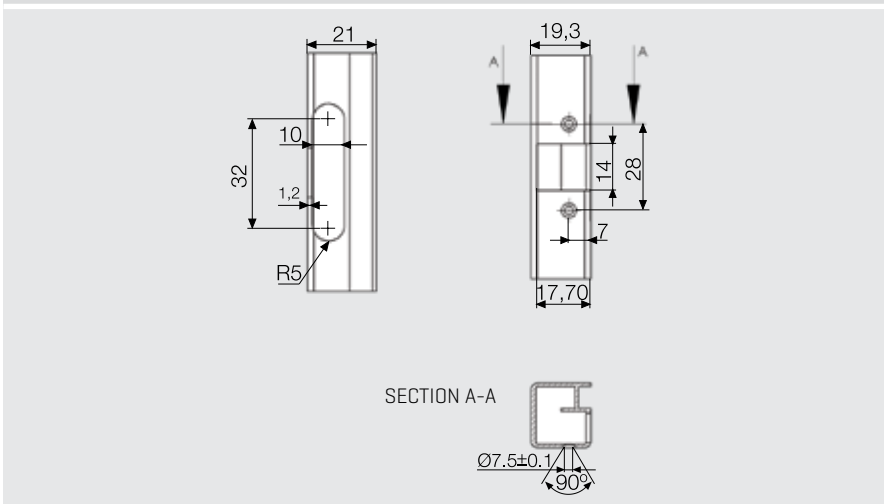
Page Directions

Mounting Plates	Page 164
Distances	Page 176, 177
Decorative Covers	Page 178
Assembly	Page 185
Dimension Charts and Symbols	Page 182

Application Alternatives



Hinge Cup Dimensions

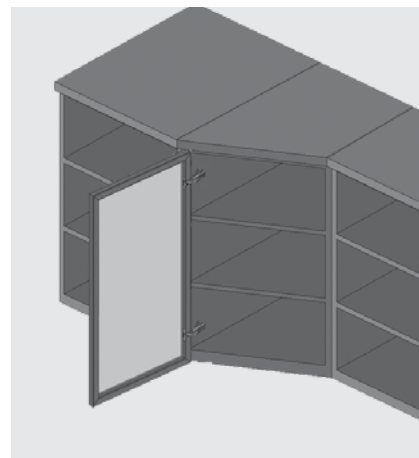


hinge systems

Aluminum Narrow Profile Star Hinge -45°



- Opening Angle : 95°
- Hinge Body : Steel
- Hinge Cup : Zamac
- Finish : Nickel
- Depth Adj. : ±3 mm
- Packaging : 250 Piece



Aluminum Narrow Profile Star -45°

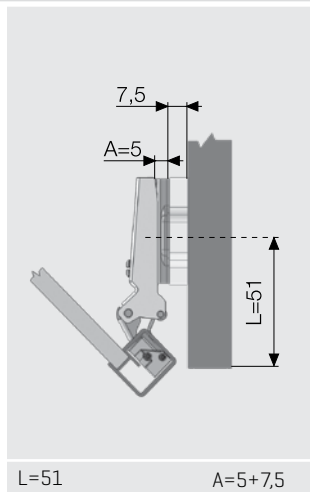
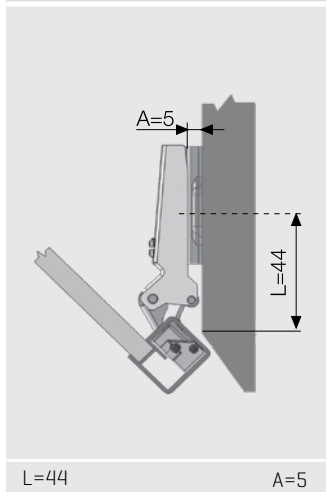
DEFINITION

CODE

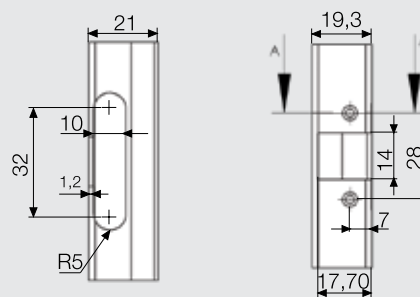
Aluminum Narrow Profile Star Hinge -45°

103221

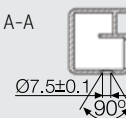
Application Alternatives



Hinge Cup Dimensions



SECTION A-A



Screw Options

Ø3,5x9 mm Steel Screw



Page Directions

Mounting Plates

Page 164

Distances

Page 174

Decorative Covers

Page 178

Assembly

Page 185

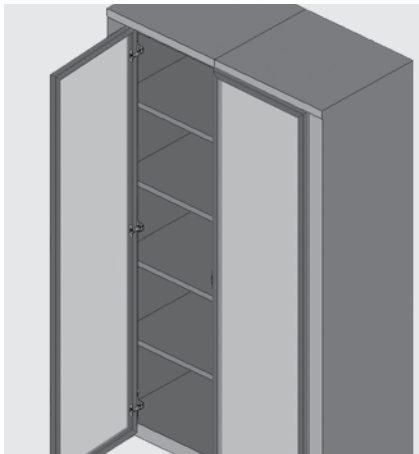
Dimension Charts and Symbols

Page 182

Aluminum Narrow Profile Star Hinge 90°



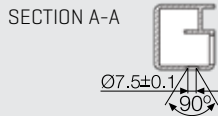
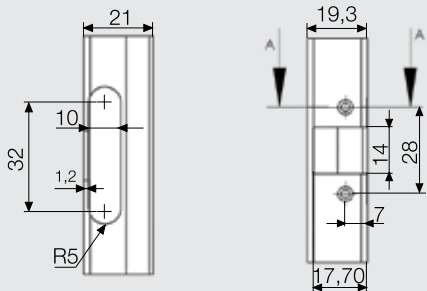
- Opening Angle : 95°
- Hinge Body : Zamac
- Hinge Cup : Zamac
- Finish : Nickel
- Depth Adj. : ±3 mm
- Packaging : 250 Piece



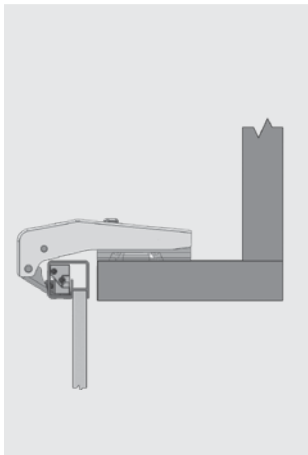
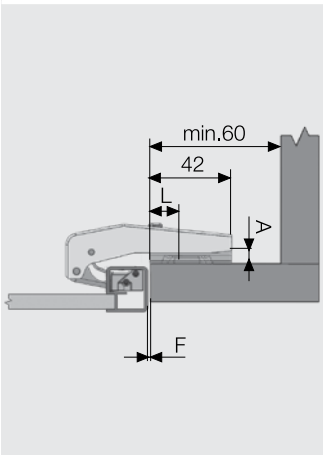
Aluminum Narrow Profile Star 90°

DEFINITION	CODE
Aluminum Narrow Profile Star 90° Hinge	103222

Hinge Cup Dimensions



Application Alternatives



L=19 A=5 F=2

Screw Options

Ø3,5x9 mm Steel Screw

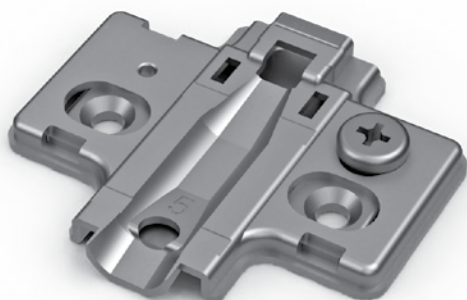


Page Directions

Mounting Plates	Page 164
Distances	Page 172-173
Decorative Covers	Page 178
Assembly	Page 185
Dimension Charts and Symbols	Page 182

hinge systems

Master Track Adjustable Mounting Plate



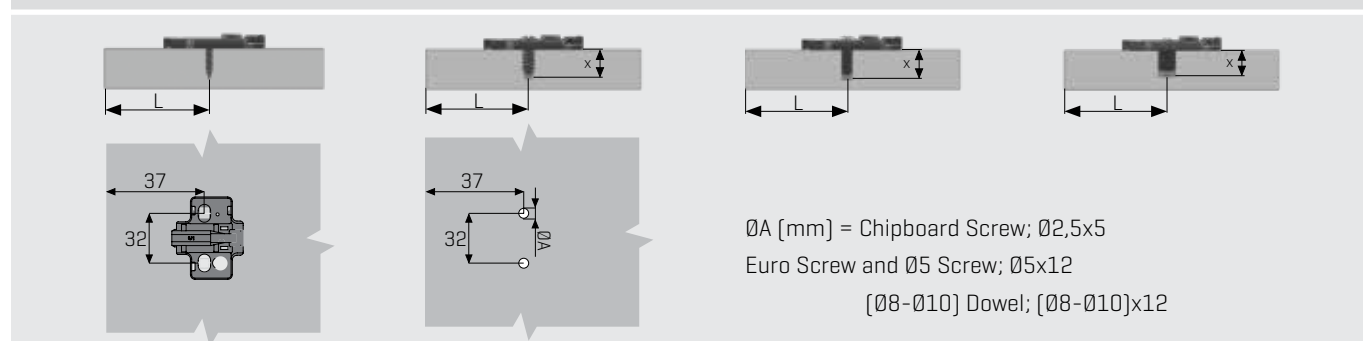
- Material : Steel
- Finish : Nickel
- Packaging: 125 Pieces
- Applicable to adjust up-down without releasing hinge and mounting plate.
- Applicable to adjust +/- 2 mm up-down by one move.
- Assembling and disassembling feature with one touch on the door without using screw driver.

Master Track Adjustable Mounting Plate	5 mm
DEFINITION	CODE
Master Track Adjustable Mounting Plate	10263851
Master Track Adjustable Mounting Plate Ø8 Dowel	10263852
Master Track Adjustable Mounting Plate Ø10 Dowel	10263853
Master Track Adjustable Mounting Plate 6,3x10 Euro Screw	10263855
Master Track Adjustable Mounting Plate 6,3x12 Euro Screw	10263858
Master Track Adjustable Mounting Plate 6,3x14 Euro Screw	10263854
Master Track Adjustable Mounting Plate Ø5x11,5 Dowel	10263857

Master Track Adjustable Mounting Plate	7 mm
DEFINITION	CODE
Master Track Adjustable Mounting Plate	10263871
Master Track Adjustable Mounting Plate Ø8 Dowel	10263872
Master Track Adjustable Mounting Plate Ø10 Dowel	10263873
Master Track Adjustable Mounting Plate 6,3x10 Euro Screw	10263875
Master Track Adjustable Mounting Plate 6,3x12 Euro Screw	10263878
Master Track Adjustable Mounting Plate 6,3x14 Euro Screw	10263874
Master Track Adjustable Mounting Plate Ø5x11,5 Dowel	10263877

Master Track Adjustable Mounting Plate	9 mm
DEFINITION	CODE
Master Track Adjustable Mounting Plate	10263891
Master Track Adjustable Mounting Plate Ø8 Dowel	10263892
Master Track Adjustable Mounting Plate Ø10 Dowel	10263893
Master Track Adjustable Mounting Plate 6,3x10 Euro Screw	10263895
Master Track Adjustable Mounting Plate 6,3x12 Euro Screw	10263898
Master Track Adjustable Mounting Plate 6,3x14 Euro Screw	10263894
Master Track Adjustable Mounting Plate Ø5x11,5 Dowel	10263897

Dimensions



Screw Options

Ø3,5x16 mm Chipboard Screw



Euro Screw



Ø5-8-10 mm Plastic Dowel



Master | Black Track Adjustable Mounting Plate



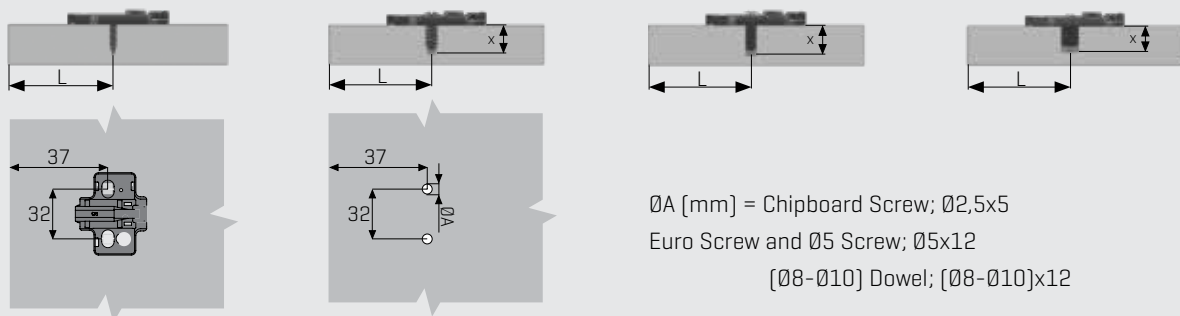
- Material : Steel
- Finish : Black
- Packaging: 125 Pieces
- Applicable to adjust up-down without releasing hinge and mounting plate.
- Applicable to adjust +/- 2 mm up-down by one move.
- Assembling and disassembling feature with one touch on the door without using screw driver.

Master Black Track Adjustable Mounting Plate 5 mm	
DEFINITION	CODE
Master Black Track Adjustable Mounting Plate	10263751
Master Black Track Adjustable Mounting Plate Ø8 Dowel	10263752
Master Black Track Adjustable Mounting Plate Ø10 Dowel	10263753
Master Black Track Adjustable Mounting Plate 6,3x10 Euro Screw	10263754
Master Black Track Adjustable Mounting Plate 6,3x12 Euro Screw	10263758
Master Black Track Adjustable Mounting Plate 6,3x14 Euro Screw	10263755
Master Black Track Adjustable Mounting Plate Ø5x11,5 Dowel	10263757

Master Black Track Adjustable Mounting Plate 7 mm	
DEFINITION	CODE
Master Black Track Adjustable Mounting Plate	10263771
Master Black Track Adjustable Mounting Plate Ø8 Dowel	10263772
Master Black Track Adjustable Mounting Plate Ø10 Dowel	10263773
Master Black Track Adjustable Mounting Plate 6,3x10 Euro Screw	10263774
Master Black Track Adjustable Mounting Plate 6,3x12 Euro Screw	10263778
Master Black Track Adjustable Mounting Plate 6,3x14 Euro Screw	10263775
Master Black Track Adjustable Mounting Plate Ø5x11,5 Dowel	10263777

Master Black Track Adjustable Mounting Plate 9 mm	
DEFINITION	CODE
Master Black Track Adjustable Mounting Plate	10263791
Master Black Track Adjustable Mounting Plate Ø8 Dowel	10263792
Master Black Track Adjustable Mounting Plate Ø10 Dowel	10263793
Master Black Track Adjustable Mounting Plate 6,3x10 Euro Screw	10263794
Master Black Track Adjustable Mounting Plate 6,3x12 Euro Screw	10263798
Master Black Track Adjustable Mounting Plate 6,3x14 Euro Screw	10263795
Master Black Track Adjustable Mounting Plate Ø5x11,5 Dowel	10263797

Dimensions



Screw Options

Ø3,5x16 mm Chipboard Screw



Euro Screw



Ø5-8-10 mm Plastic Dowel



hinge systems

Master Track Mounting Plate



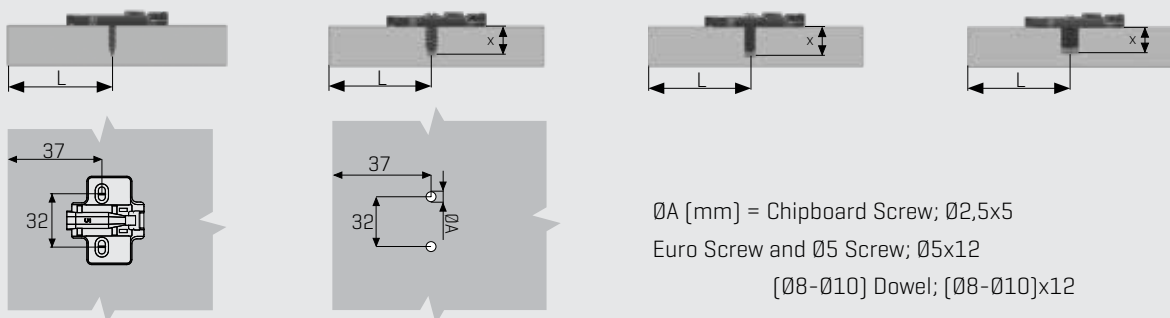
- Malzeme : Steel
- Finish : Nickel
- Packaging: 125 Pieces

Master Track Mounting Plate 5 mm	
DEFINITION	CODE
Master Track Mounting Plate	10265851
Master Track Mounting Plate Ø8 Dowel	10265852
Master Track Mounting Plate Ø10 Dowel	10265853
Master Track Mounting Plate 6,3x10 Euro Screw	10265855
Master Track Mounting Plate 6,3x12 Euro Screw	10265858
Master Track Mounting Plate 6,3x14 Euro Screw	10265854
Master Track Mounting Plate Ø5x11,5 Dowel	10265857

Master Track Mounting Plate 7 mm	
DEFINITION	CODE
Master Track Mounting Plate	10265871
Master Track Mounting Plate Ø8 Dowel	10265872
Master Track Mounting Plate Ø10 Dowel	10265873
Master Track Mounting Plate 6,3x10 Euro Screw	10265875
Master Track Mounting Plate 6,3x12 Euro Screw	10265878
Master Track Mounting Plate 6,3x14 Euro Screw	10265874
Master Track Mounting Plate Ø5x11,5 Dowel	10265877

Master Track Mounting Plate 9 mm	
DEFINITION	CODE
Master Track Mounting Plate	10265891
Master Track Mounting Plate Ø8 Dowel	10265892
Invo Plus/Master Track Mounting Plate Ø10 Dowel	10265893
Master Track Mounting Plate 6,3x10 Euro Screw	10265895
Master Track Mounting Plate 6,3x12 Euro Screw	10265898
Master Track Mounting Plate 6,3x14 Euro Screw	10265894
Master Track Mounting Plate Ø5x11,5 Dowel	10265897

Dimensions



Screw Options

Ø3,5x16 mm Chipboard Screw



Euro Screw



Ø5-8-10 mm Plastic Dowel



Master/Star Track Mounting Plate - 4 Holes



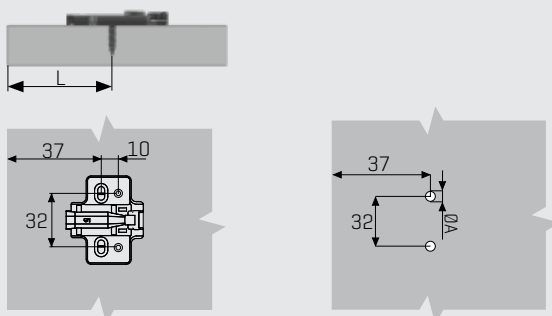
- Malzeme : Steel
- Finish : Nickel
- Packaging : 125 Pieces

Master/Star Track Mounting Plate	5 mm
DEFINITION	CODE
Master/Star Track Mounting Plate	10265841
Master/Star Track Mounting Plate Ø8 Dowel	10265842
Master/Star Track Mounting Plate Ø10 Dowel	10265843
Master/Star Track Mounting Plate 6,3x10 Euro Screw	10265845
Master/Star Track Mounting Plate 6,3x12 Euro Screw	10265848
Master/Star Track Mounting Plate 6,3x14 Euro Screw	10265844
Master/Star Track Mounting Plate Ø5x11,5 Dowel	10265847

Master/Star Track Mounting Plate	7 mm
DEFINITION	CODE
Master/Star Track Mounting Plate	10265861
Master/Star Track Mounting Plate Ø8 Dowel	10265862
Master/Star Track Mounting Plate Ø10 Dowel	10265863
Master/Star Track Mounting Plate 6,3x10 Euro Screw	10265865
Master/Star Track Mounting Plate 6,3x12 Euro Screw	10265868
Master/Star Track Mounting Plate 6,3x14 Euro Screw	10265864
Master/Star Track Mounting Plate Ø5x11,5 Dowel	10265867

Master/Star Track Mounting Plate	9 mm
DEFINITION	CODE
Master/Star Track Mounting Plate	10265881
Master/Star Track Mounting Plate Ø8 Dowel	10265882
Master/Star Track Mounting Plate Ø10 Dowel	10265883
Master/Star Track Mounting Plate 6,3x10 Euro Screw	10265885
Master/Star Track Mounting Plate 6,3x12 Euro Screw	10265888
Master/Star Track Mounting Plate 6,3x14 Euro Screw	10265884
Master/Star Track Mounting Plate Ø5x11,5 Dowel	10265887

Dimensions



Screw Options

Ø3,5x16 mm Chipboard Screw



Euro Screw



Ø5-8-10 mm Plastic Dowel



hinge systems

Master | Black Track Mounting Plate - 4 Holes



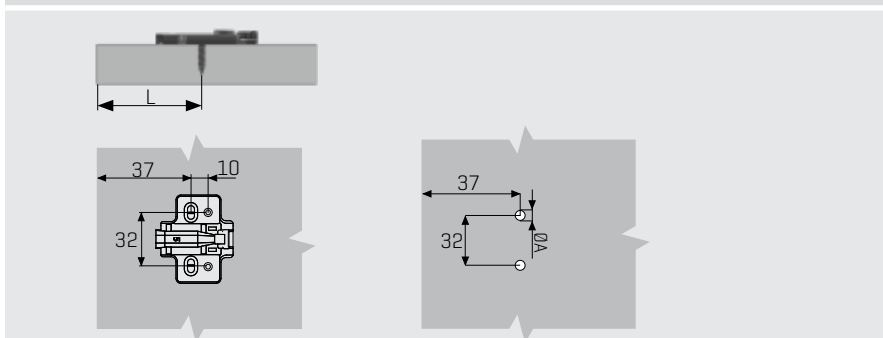
- Malzeme : Steel
- Finish : Black
- Packaging : 125 Pieces

Master Black Track Mounting Plate	5 mm
DEFINITION	CODE
Master Black Track Mounting Plate - 4 Holes	10265741
Master Black Track Mounting Plate - 4 Holes Ø8 Dowel	10265742
Master Black Track Mounting Plate - 4 Holes Ø10 Dowel	10265743
Master Black Track Mounting Plate - 4 Holes 6,3x10 Euro Screw	10265744
Master Black Track Mounting Plate - 4 Holes 6,3x12 Euro Screw	10265748
Master Black Track Mounting Plate - 4 Holes 6,3x14 Euro Screw	10265745
Master Black Track Mounting Plate - 4 Holes Ø5x11,5 Dowel	10265747

Master Black Track Mounting Plate	7 mm
DEFINITION	CODE
Master Black Track Mounting Plate - 4 Holes	10265761
Master Black Track Mounting Plate - 4 Holes Ø8 Dowel	10265762
Master Black Track Mounting Plate - 4 Holes Ø10 Dowel	10265763
Master Black Track Mounting Plate - 4 Holes 6,3x10 Euro Screw	10265764
Master Black Track Mounting Plate - 4 Holes 6,3x12 Euro Screw	10265768
Master Black Track Mounting Plate - 4 Holes 6,3x14 Euro Screw	10265765
Master Black Track Mounting Plate - 4 Holes Ø5x11,5 Dowel	10265767

Master Black Track Mounting Plate	9 mm
DEFINITION	CODE
Master Black Track Mounting Plate - 4 Holes	10265781
Master Black Track Mounting Plate - 4 Holes Ø8 Dowel	10265782
Master Black Track Mounting Plate - 4 Holes Ø10 Dowel	10265783
Master Black Track Mounting Plate - 4 Holes 6,3x10 Euro Screw	10265784
Master Black Track Mounting Plate - 4 Holes 6,3x12 Euro Screw	10265788
Master Black Track Mounting Plate - 4 Holes 6,3x14 Euro Screw	10265785
Master Black Track Mounting Plate - 4 Holes Ø5x11,5 Dowel	10265787

Dimensions

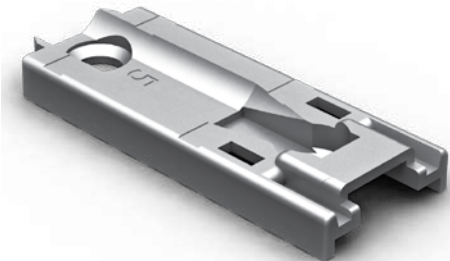


Screw Options

Ø3,5x16 mm Chipboard Screw	
Euro Screw	
Ø5-8-10 mm Plastic Dowel	

Master Track Mounting Plate - Horizontal

- . Material : Steel and Zamac
- . Finish : Nickel
- . Packaging : 250 Piece



Master Track Mounting Plate - Horizontal 5 mm	
DEFINITION	CODE
Master Track Mounting Plate Countersunk	10262651

Master Track Mounting Plate - Horizontal 7 mm	
DEFINITION	CODE
Master Track Mounting Plate Countersunk	10262671

Master Track Mounting Plate - Horizontal 9 mm	
DEFINITION	CODE
Master Track Mounting Plate Countersunk	10262691

Dimensions

Screw Options	
Ø3,5x16 mm Chipboard Screw	

hinge systems

Master | Black Track Mounting Plate - Horizontal



- Material : Steel and Zamac
- Finish : Black
- Packaging : 250 Piece

Master | Black Track Mounting Plate - Horizontal **5 mm**

DEFINITION	CODE
Master Black Track Mounting Plate Countersunk	1026265051

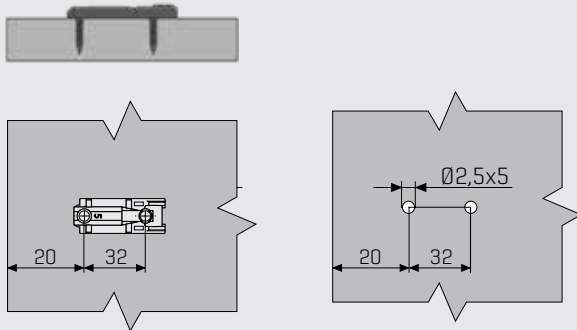
Master | Black Track Mounting Plate - Horizontal **7 mm**

DEFINITION	CODE
Master Black Track Mounting Plate Countersunk	1026265071

Master | Black Track Mounting Plate - Horizontal **9 mm**

DEFINITION	CODE
Master Black Track Mounting Plate Countersunk	1026265091

Dimensions

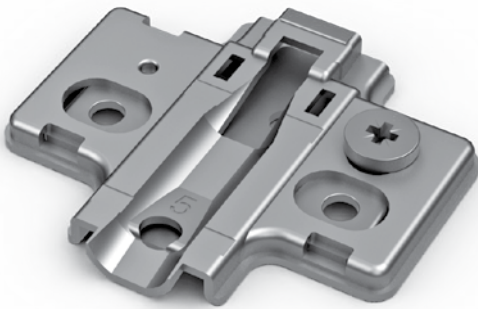


Screw Options

Ø3,5x16 mm Chipboard Screw



Star Track Adjustable Mounting Plate



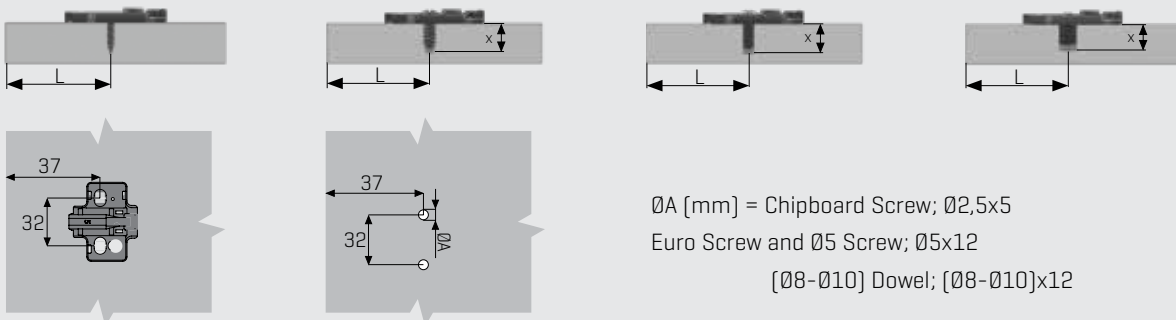
- Material : Steel
- Finish : Nickel
- Packaging : 250 Piece
- Applicable to adjust up-down without releasing hinge and mounting plate.
- Applicable to adjust +/- 2 mm up-down by one move.

Star Track Adjustable Mounting Plate	5 mm
DEFINITION	CODE
Star Track Adj. Mounting Plate Countersunk	10260751
Star Track Adj. Mounting Plate Ø5 Dowel	10260756
Star Track Adj. Mounting Plate Ø8 Dowel	10260752
Star Track Adj. Mounting Plate Ø10 Dowel	10260753
Star Track Adj. Mounting Plate 6,3x14 Euro Screw	10260754
Star Track Adj. Mounting Plate 6,3x10 Euro Screw	10260755

Star Track Adjustable Mounting Plate	7 mm
DEFINITION	CODE
Star Track Adj. Mounting Plate Countersunk	10260771
Star Track Adj. Mounting Plate Ø5 Dowel	10260776
Star Track Adj. Mounting Plate Ø8 Dowel	10260772
Star Track Adj. Mounting Plate Ø10 Dowel	10260773
Star Track Adj. Mounting Plate 6,3x14 Euro Screw	10260774
Star Track Adj. Mounting Plate 6,3x10 Euro Screw	10260775

Star Track Adjustable Mounting Plate	9 mm
DEFINITION	CODE
Star Track Adj. Mounting Plate Countersunk	10260791
Star Track Adj. Mounting Plate Ø5 Dowel	10260796
Star Track Adj. Mounting Plate Ø8 Dowel	10260792
Star Track Adj. Mounting Plate Ø10 Dowel	10260793
Star Track Adj. Mounting Plate 6,3x14 Euro Screw	10260794
Star Track Adj. Mounting Plate 6,3x10 Euro Screw	10260795

Dimensions



Screw Options

Ø3,5x16 mm Chipboard Screw



Euro Screw



Ø5-8-10 mm Plastic Dowel



Star Track Adjustable Mounting Plate - Horizontal



- Material : Steel and Zamac
- Finish : Nickel
- Packaging : 250 Piece
- Adjustable without loosening neither hinge nor mounting plate.
- Through the adjustability of the door a +/-1.5 mm height adjustment can be applied.

Star Track Adjustable Mount- **5 mm** ing Plate

DEFINITION	CODE
Star Track ADJ. Mounting Plate-Horizontal	10260651
Star Track ADJ. Mounting Plate Ø10 Expandable Dowel	10260653

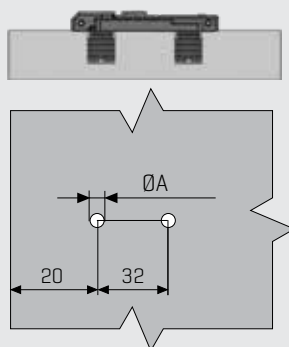
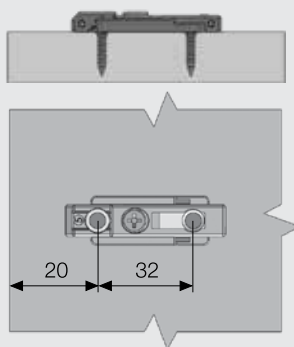
Star Track Adjustable Mount- **7 mm** ing Plate

DEFINITION	CODE
Star Track ADJ. Mounting Plate-Horizontal	10260671
Star Track ADJ. Mounting Plate Ø10 Expandable Dowel	10260673

Star Track Adjustable Mount- **9 mm** ing Plate

DEFINITION	CODE
Star Track ADJ. Mounting Plate-Horizontal	10260691
Star Track ADJ. Mounting Plate Ø10 Expandable Dowel	10260693

Dimensions



ØA [mm] = Chipboard Screw; Ø2,5x5
Expandable Dowel; Ø10x10,5

Screw Options

Ø3,5x16 mm Chipboard Screw



10 mm Expandable Dowel



hinge systems

Star Track Mounting Plate

samet



- Material : Steel
- Finish : Nickel
- Packaging : 250 Piece
- The axis is vertically adjustable.

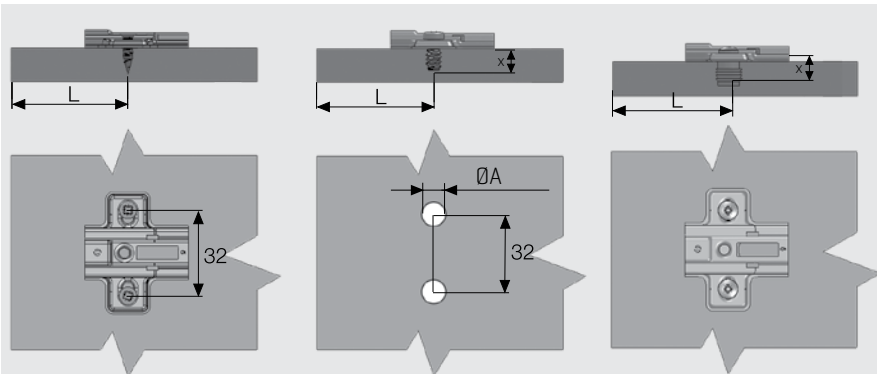
Star Track Mounting Plate	
DEFINITION	CODE L: 37 mm
Adjustable Steel	102611
Euro Screw 6,3x14 Steel	102631
Euro Screw 6,3x10 Adjustable Steel	102634
Ø5 Pls. Dowel Steel	102646
Ø8 Pls. Dowel Steel	102637
Ø10 Pls. Dowel Steel	102649

Star Track Mounting Plate 7 mm	
DEFINITION	CODE L: 37 mm
Adjustable Steel	102612
Euro Screw 6,3x14 Steel	102632
Euro Screw 6,3x10 Adjustable Steel	102635
Ø5 Pls. Dowel Steel	102647
Ø8 Pls. Dowel Steel	102638
Ø10 Pls. Dowel Steel	102650

Star Track Mounting Plate	
DEFINITION	CODE L: 37 mm
Adjustable Steel	102613
Euro Screw 6,3x14 Steel	102633
Euro Screw 6,3x10 Adjustable Steel	102636
Ø5 Pls. Dowel Steel	102648
Ø8 Pls. Dowel Steel	102639
Ø10 Pls. Dowel Steel	102651

Star Track Mounting Plate 6 mm	
DEFINITION	CODE L: 37 mm
Adjustable Steel	102669
Euro Screw 6,3x14 Steel	102667
Euro Screw 6,3x10 Adjustable Steel	102668
Ø5 Pls. Dowel Steel	102670
Ø8 Pls. Dowel Steel	102671
Ø10 Pls. Dowel Steel	102672

Dimensions



	6,3x10	6,3x14
x=	6	10

ØA (mm) = Chipboard Screw; Ø2,5x5
Euro Screw and Ø5 Screw; Ø5x12
[Ø8-Ø10] Dowel; [Ø8-Ø10]x12

Screw Options

Ø3,5x16 mm Chipboard Screw



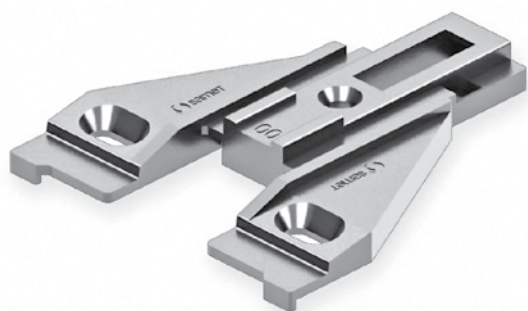
Euro Screw Ø6,3x10
Euro Screw Ø6,3x14



Plastic Dowel Ø5x7,2 or
[Ø8-10]x10



Star Track Profile Mounting Plate

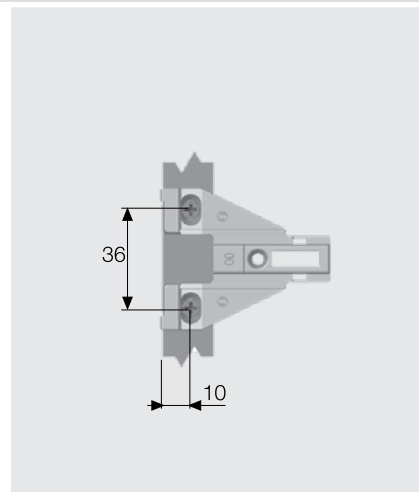
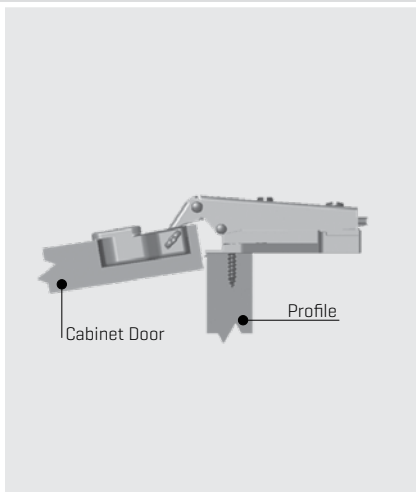
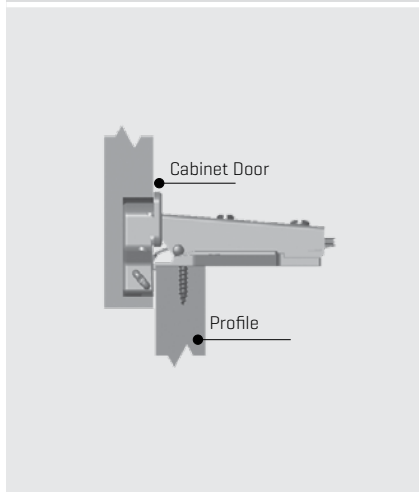


- Material : Zamac
- Packaging : 250 Piece
- The axis is vertically adjustable.

Star Track Profile Mounting Plate		5 mm
Code List		
DEFINITION	CODE	
Star Track Profile Mounting Plate 5 mm	102604	

Star Track Profile Mounting Plate		9 mm
Code List		
DEFINITION	CODE	
Star Track Profile Mounting Plate 9 mm	102605	

Dimensions



Screw Options

Ø3,5x16 mm Chipboard Screw



hinge systems

Star Mounting Plate

samet



- Material : Steel
- Finish : Nickel
- Packaging : 250 Piece
- The axis is vertically adjustable.

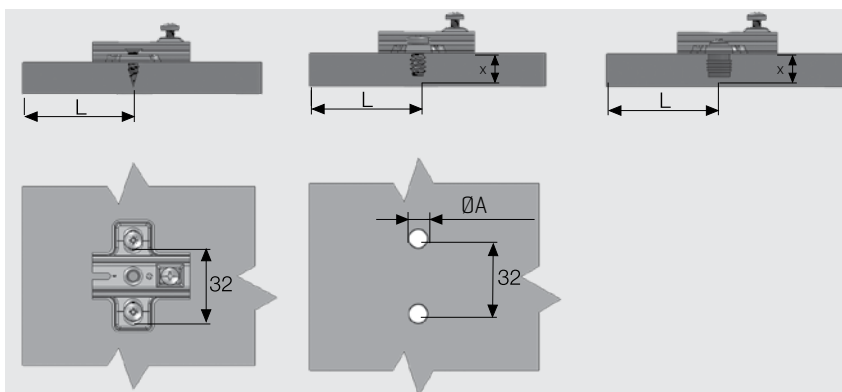
Star Mounting Plate	5 mm
DEFINITION	CODE L: 37 mm
Adjustable Steel	102411
Euro Screw 6,3x14 Steel	102431
Euro Screw 6,3x10 Adjustable Steel	102464
Ø5 Pls. Dowel Steel	102446
Ø8 Pls. Dowel Steel	102437
Ø10 Pls. Dowel Steel	102449
With adjustable Ø10 Pls. Dowel (Double)	102484

Star Mounting Plate	7 mm
DEFINITION	CODE L: 37 mm
Adjustable Steel	102412
Euro Screw 6,3x14 Steel	102432
Euro Screw 6,3x10 Adjustable Steel	102465
Ø5 Pls. Dowel Steel	102447
Ø8 Pls. Dowel Steel	102438
Ø10 Pls. Dowel Steel	102450
With adjustable Ø10 Pls. Dowel (Double)	102483

Star Mounting Plate	9 mm
DEFINITION	CODE L: 37 mm
Adjustable Steel	102413
Euro Screw 6,3x14 Steel	102433
Euro Screw 6,3x10 Adjustable Steel	102466
Ø5 Pls. Dowel Steel	102448
Ø8 Pls. Dowel Steel	102439
Ø10 Pls. Dowel Steel	102451
With adjustable Ø10 Pls. Dowel (Double)	102485

Star Mounting Plate	6 mm
DEFINITION	CODE L: 37 mm
Adjustable Steel	102469
Euro Screw 6,3x14 Steel	102467
Euro Screw 6,3x10 Adjustable Steel	102468
Ø5 Pls. Dowel Steel	102470
Ø8 Pls. Dowel Steel	102471
Ø10 Pls. Dowel Steel	102472
With adjustable Ø10 Pls. Dowel (Double)	102482

Dimensions



ØA (mm) = Chipboard Screw; Ø2,5x5
 Euro Screw and Ø5 Screw; Ø5x12
 (Ø8-Ø10) Dowel; (Ø8-Ø10)x12

Screw Options	
Ø3,5x16 mm Chipboard Screw	
Euro Screw Ø6,3x10 Euro Screw Ø6,3x14	
Plastic Dowel Ø5x7,2 or (Ø8-10)x10	
10 mm Double Plastic Dowel	

Star Short Body Hinge 90° Mounting Plate

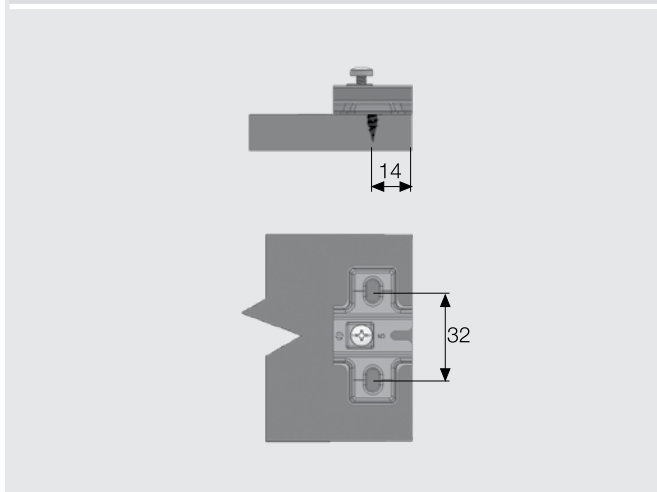


- Material : Steel
- Finish : Nickel
- Packaging: 250 Piece
- The axis is vertically adjustable.
- For only Star Short Body 90° Hinge

Star Short Body Hinge 90° Mounting Plate		5 mm
DEFINITION		CODE
Star Short Body Hinge 90° Mounting Plate 5 mm		102155111

Star Short Body Hinge 90° Mounting Plate		7 mm
DEFINITION		CODE
Star Short Body Hinge 90° Mounting Plate 7 mm		102167111

Dimensions



Screw Options

Ø3,5x16 mm Chipboard Screw



hinge systems

Star Mini Hinge Mounting Plate



- Material : Steel
- Finish : Nickel
- Packaging : 500 Piece
- The axis is vertically adjustable.

Star Mini Hinge Mounting Plate **2 mm**

DEFINITION	CODE L: 37 mm	CODE L: 28 mm
Adjustable Steel	102322112	102312112
Euro Screw 6,3x10	102322212	102312212
Euro Screw 6,3x14 Steel	102322312	102312312
Ø5 Pls. Dowel Steel	102322412	102312412
Ø8 Pls. Dowel Steel	102322512	102312512
Ø10 Pls. Dowel Steel	102322612	102312612

Star Mini Hinge Mounting Plate **4 mm**

DEFINITION	CODE L: 37 mm	CODE L: 28 mm
Adjustable Steel	102324112	102314112
Euro Screw 6,3x10	102324212	102314212
Euro Screw 6,3x14 Steel	102324312	102314312
Ø5 Pls. Dowel Steel	102324412	102314412
Ø8 Pls. Dowel Steel	102324512	102314512
Ø10 Pls. Dowel Steel	102324612	102314612

Star Mini Hinge Mounting Plate **6 mm**

DEFINITION	CODE L: 37 mm	CODE L: 28 mm
Adjustable Steel	102326112	102316112
Euro Screw 6,3x10	102326212	102316212
Euro Screw 6,3x14 Steel	102326312	102316312
Ø5 Pls. Dowel Steel	102326412	102316412
Ø8 Pls. Dowel Steel	102326512	102316512
Ø10 Pls. Dowel Steel	102326612	102316612

Star Mini Hinge Mounting Plate **3 mm**

DEFINITION	CODE L: 37 mm
Adjustable Steel	102323112
Euro Screw 6,3x10	102323212
Euro Screw 6,3x14 Steel	102323312
Ø5 Pls. Dowel Steel	102323412
Ø8 Pls. Dowel Steel	102323512
Ø10 Pls. Dowel Steel	102323612

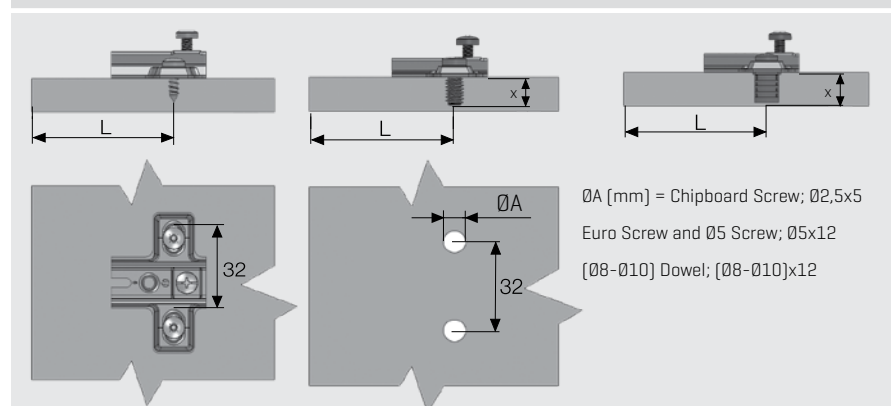
Star Mini Hinge Mounting Plate **5 mm**

DEFINITION	CODE L: 37 mm
Adjustable Steel	102325112
Euro Screw 6,3x10	102325212
Euro Screw 6,3x14 Steel	102325312
Ø5 Pls. Dowel Steel	102325412
Ø8 Pls. Dowel Steel	102325512
Ø10 Pls. Dowel Steel	102325612

Screw Options

Ø3,5x16 mm Chipboard Screw	
Euro Screw Ø6,3x10 Euro Screw Ø6,3x14	
Plastic Dowel Ø5x7,2 or [Ø8-10]x10	

Dimensions



hinge systems

165° Track Mounting Plate



- Material : Steel
- Finish : Nickel
- Packaging : 200 Piece
- The axis is vertically adjustable.

165° Track Mounting Plate 5 mm	
DEFINITION	CODE L: 37 mm
Adjustable Steel	10297511
Euro Screw 6,3x14 Steel	10297512
Ø5x8 Pls. Dowel Steel	10297513
Ø5x10 Pls. Dowel Steel	10297514
Ø8 Pls. Dowel Steel	10297516
Ø10 Pls. Dowel Steel	10297517

165° Track Mounting Plate 7 mm	
DEFINITION	CODE L: 37 mm
Adjustable Steel	10297521
Euro Screw 6,3x14 Steel	10297522
Ø5x8 Pls. Dowel Steel	10297523
Ø5x10 Pls. Dowel Steel	10297524
Ø8 Pls. Dowel Steel	10297526
Ø10 Pls. Dowel Steel	10297527

165° Track Mounting Plate 9 mm	
DEFINITION	CODE L: 37 mm
Adjustable Steel	10297531
Euro Screw 6,3x14 Steel	10297532
Ø5x8 Pls. Dowel Steel	10297533
Ø5x10 Pls. Dowel Steel	10297534
Ø8 Pls. Dowel Steel	10297536
Ø10 Pls. Dowel Steel	10297537

Screw Options

Ø3,5x16 mm Chipboard Screw



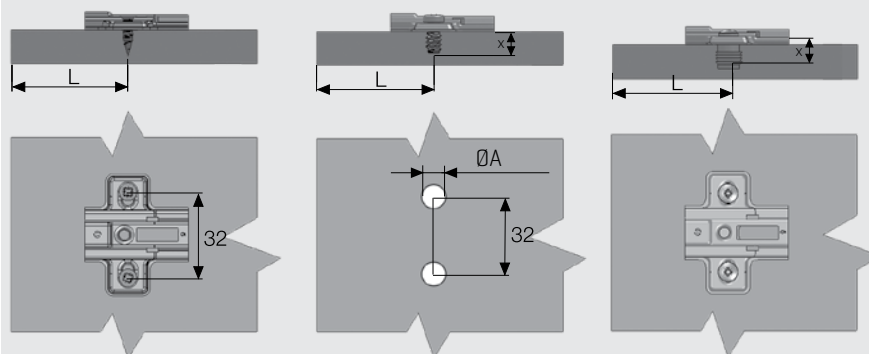
Euro Screw Ø6,3x14



Plastic Dowel Ø5x8-10 or
[Ø8-10]x10



Dimensions



	6,3x14
x=	10

ØA [mm] = Chipboard Screw; Ø2,5x5
Euro Screw and Ø5 Screw; Ø5x12
[Ø8-Ø10] Dowel; [Ø8-Ø10]x12

hinge systems

165° Mounting Plate

samet






- Material : Steel
- Finish : Nickel
- Packaging : 200 Piece
- The axis is vertically adjustable.

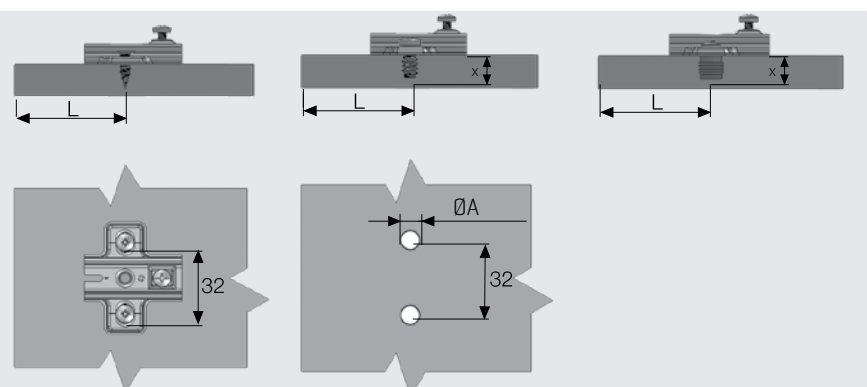
165° Mounting Plate	5 mm
DEFINITION	CODE L: 37 mm
Adjustable Steel	10297411
Euro Screw 6,3x14 Steel	10297412
Ø5x8 Pls. Dowel Steel	10297413
Ø5x10 Pls. Dowel Steel	10297414
Ø8 Pls. Dowel Steel	10297416
Ø10 Pls. Dowel Steel	10297417

165° Mounting Plate	7 mm
DEFINITION	CODE L: 37 mm
Adjustable Steel	10297421
Euro Screw 6,3x14 Steel	10297422
Ø5x8 Pls. Dowel Steel	10297423
Ø5x10 Pls. Dowel Steel	10297424
Ø8 Pls. Dowel Steel	10297426
Ø10 Pls. Dowel Steel	10297427

165° Mounting Plate	9 mm
DEFINITION	CODE L: 37 mm
Adjustable Steel	10297431
Euro Screw 6,3x14 Steel	10297432
Ø5x8 Pls. Dowel Steel	10297433
Ø5x10 Pls. Dowel Steel	10297434
Ø8 Pls. Dowel Steel	10297436
Ø10 Pls. Dowel Steel	10297437

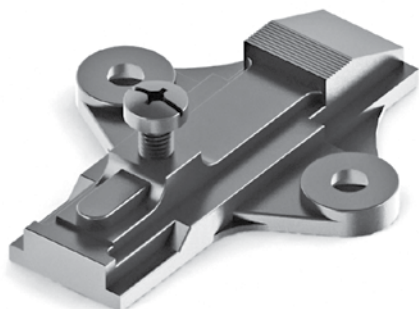
Screw Options	
Ø3,5x16 mm Chipboard Screw	
Euro Screw Ø6,3x14	
Plastic Dowel Ø5x8-10 or (Ø8-10)x10	

Dimensions



ØA (mm) = Chipboard Screw; Ø2,5x5
 Euro Screw and Ø5 Screw; Ø5x12
 (Ø8-Ø10) Dowel; (Ø8-Ø10)x12

Glass Door Hinge Mounting Plate

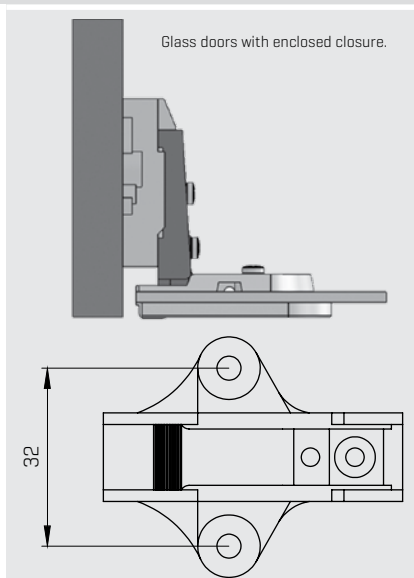
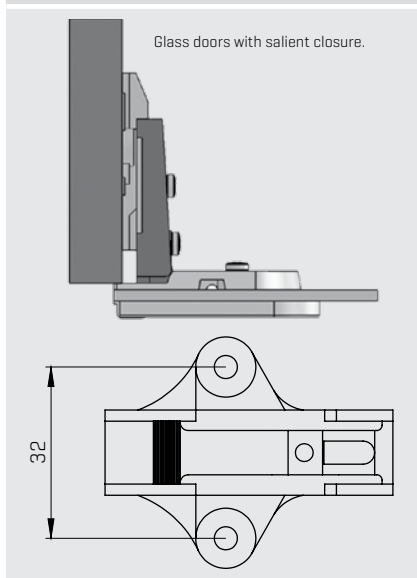


- Appearance : Nickel and Black
- Material : Zamac and Plastic
- Packaging : 50 Piece Box, 600 and 800 Piece Package
- Assembly : With Chipboard Screw

Mounting Plate for Oval Bored Glass Hinges		3 mm
Code List		
DEFINITION	CODE	
Mounting Plate for Oval Bored Glass Hinges 3 mm	104011	

Mounting Plate for Angular Shaped Bored Glass Door Hinges		10 mm
Code List		
DEFINITION	CODE	
Mounting Plate for Angular Shaped Bored Glass Door Hinges 10 mm	104022	

Application Alternatives

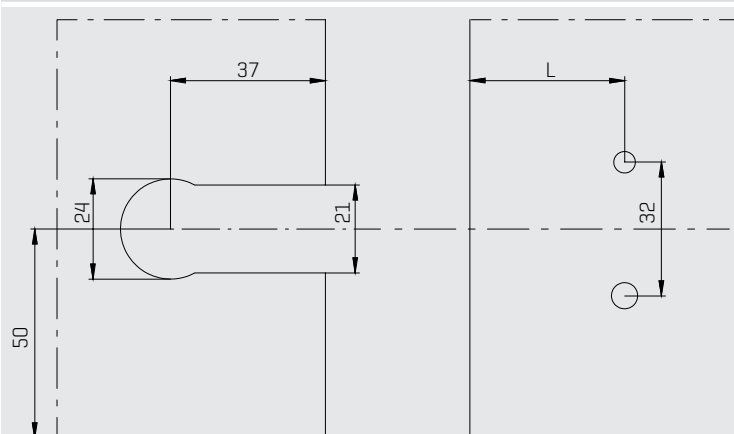


Screw Options

Ø3,5x16 mm Chipboard Screw



Dimensions



Plus Soft Close Mechanism



- Applicable on the hinge side and handle side.
- Applicable to hinges excepting cranking 0 mm, 9 mm and 18 mm
- Applicable to hole Ø10 mm.
- It can be assemble in cabinet by using 10299911, 10299913, 10299914, 10299915 coded adapters.
- Packaging : 250 Pieces



Plus Soft Close Mechanism

DEFINITION

Plus Soft Close Mechanism

CODE

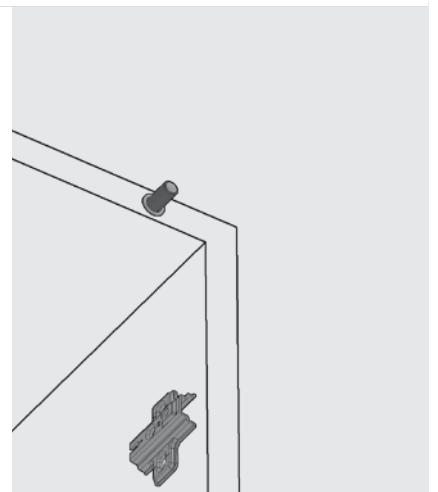
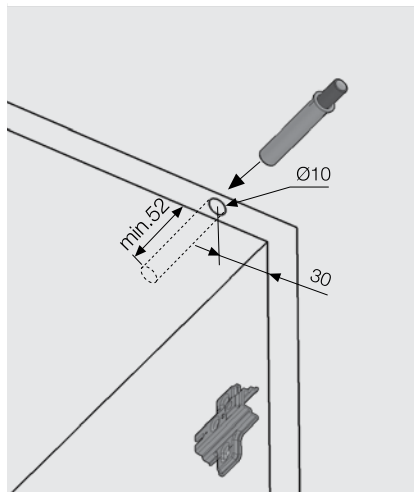
10299909

Hinge Side

Please note that the adaptor used for the hinge side has a dark color.



Dimensions and Assembly



hinge systems

Plus Soft Close, Push-Open Inside Cabinet Adaptor 37 mm



- It provides to assemble Plus soft close and Push-Open latch in to cabinet.
- Applicable to inside doors.
- Easy assembly with screw without drilling Ø10 hole.
- Suitable for 37 mm hole system.
- Packaging : 250 Pieces
- Color : Grey



Plus Soft Close, Push-Open Inside Cabinet Adaptor 37 mm

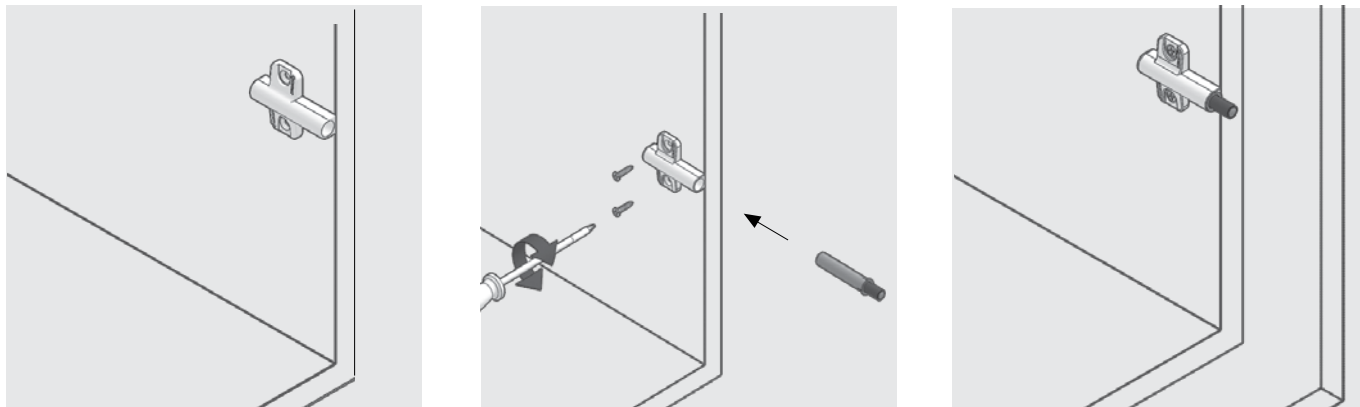
DEFINITION

CODE

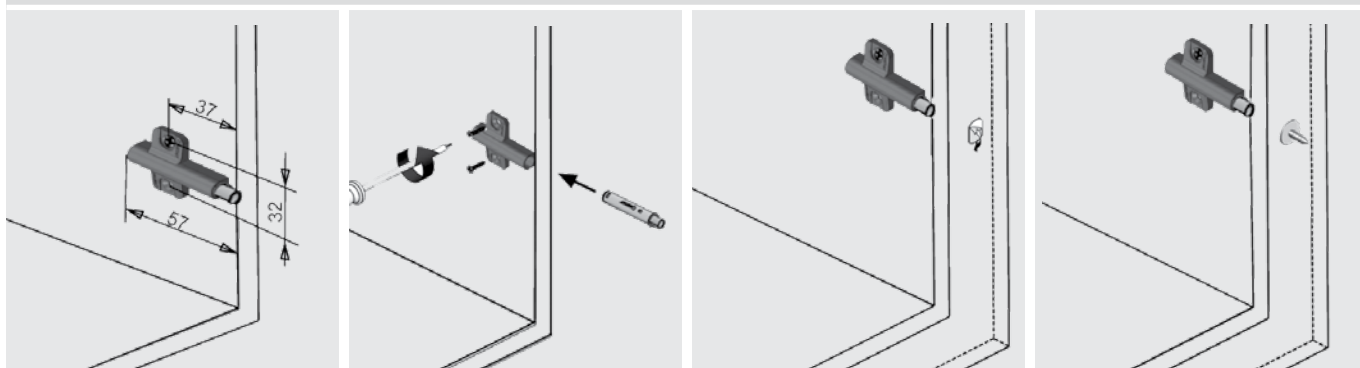
Push-Open Inside Cabinet Adaptor 37 mm

10299911

Dimensions for Soft Close Mechanism Adaptors



Dimensions for Push-Open Inside Cabinet Adaptor 37 mm



Screw Options

Ø3,5x16 mm Chipboard Screw



Plus Soft Close, Push-Open Inside Cabinet Adaptor



- It provides to Assembly Plus Soft Close and Push-Open short latch into cabinet.
- Applicable to Assembly by aligning on body.
- Easy assembly with screw without drilling a $\varnothing 10$ hole.
- Packaging : 250 Pieces
- Color : Grey



Plus Soft Close, Push-Open Inside Cabinet Adaptor

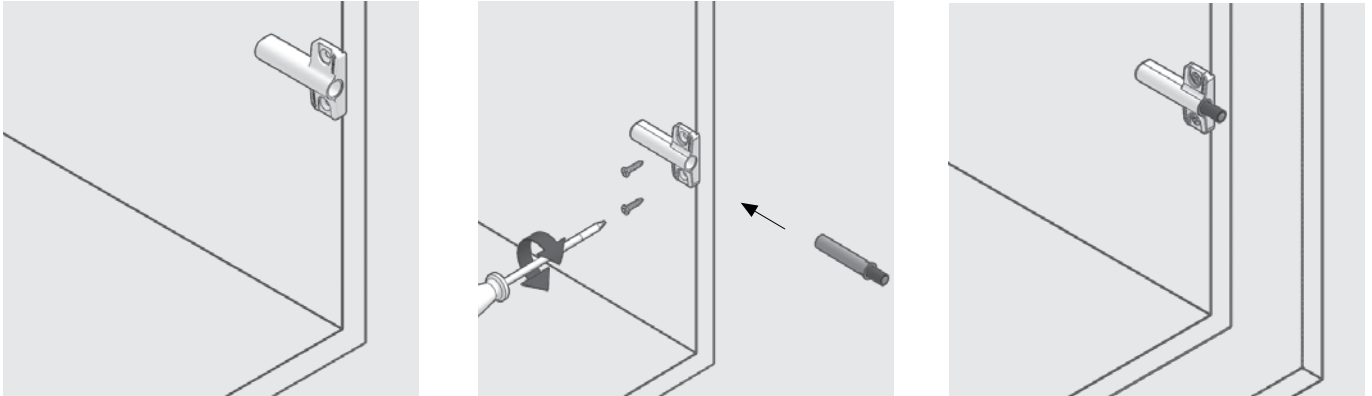
DEFINITION

CODE

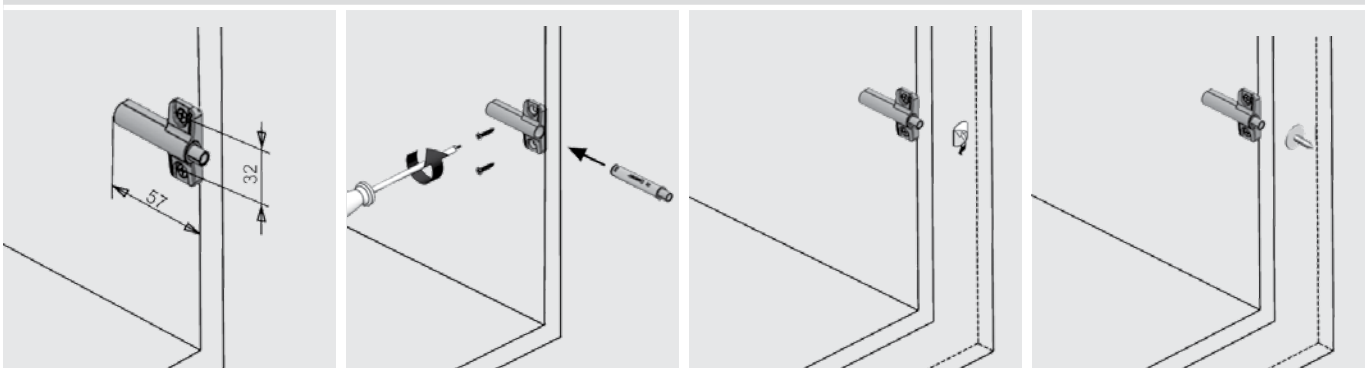
Plus Soft Close, Push-Open Inside Cabinet Adaptor

10299913

Dimensions for Soft Close Mechanism Adaptors



Dimensions for Push-Open Inside Cabinet Adapter



Screw Options

$\varnothing 3,5 \times 16$ mm Chipboard Screw



hinge systems

Push-Open Short Latch



- It is used with reverse spring hinges.
- Minimum gap 2,6 mm.
- Assembling errors +4 / -1,5 mm by using 10299922 coded adapter.
- It can be assembled in cabinet 10299911, 10299913, 10299914 and 10299915 coded adapters.
- It can be assembled by drilling on face of cabinet.
- Packaging: 125 and 250 Pieces
- Color: Grey and Nickel



Push-Open Short Latch

DEFINITION	CODE
Push-Open Short Latch Grey 125	10299925

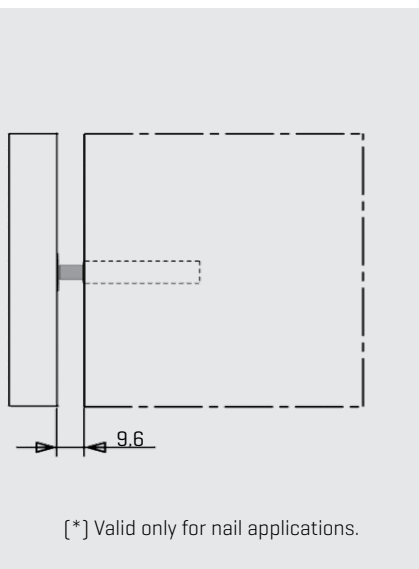
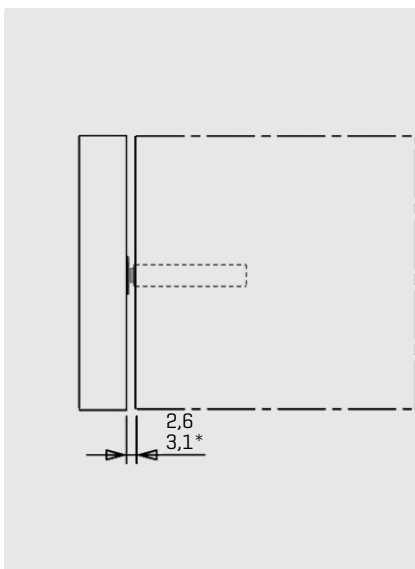
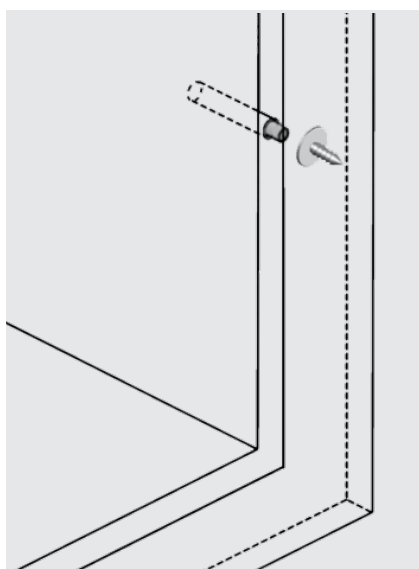
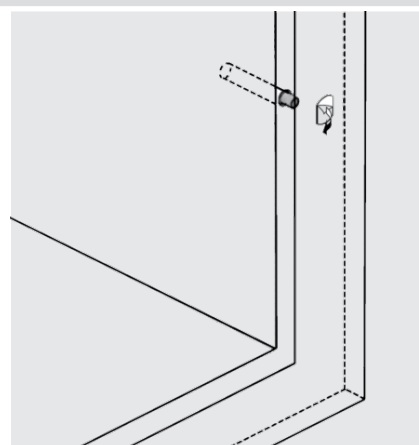
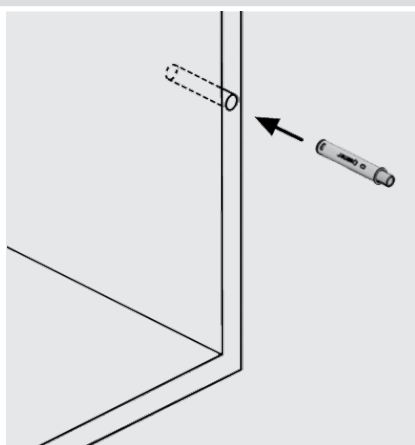
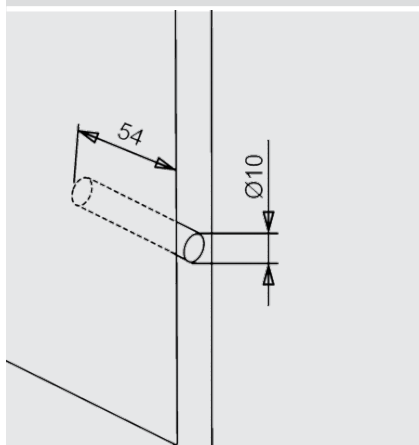
Push-Open Short Latch Counter Piece (Magnet)

DEFINITION	CODE
Push-Open Short Latch Counter Piece Nickel 250	10299923

Push-Open Short Latch Counter Piece with the Nail (Magnet)

DEFINITION	CODE
Push-Open Short Latch Counter Piece with Nail Nickel 250	10299926

Dimensions and Assembly



[*] Valid only for nail applications.

Push-Open Long Latch



- It is used with springless hinges.
- Minimum gap 2,6 mm.
- Possibility to adjust for +4 mm to eliminate construction failures.
- Locking to avoid displacement of the adjustment control.
- Can be mounted inside the cabinet with the adaptor (10299921).
- It can be assembled by drilling on face of cabinet
- Packaging: 125 and 250 Pieces
- Color : Grey and Nickel

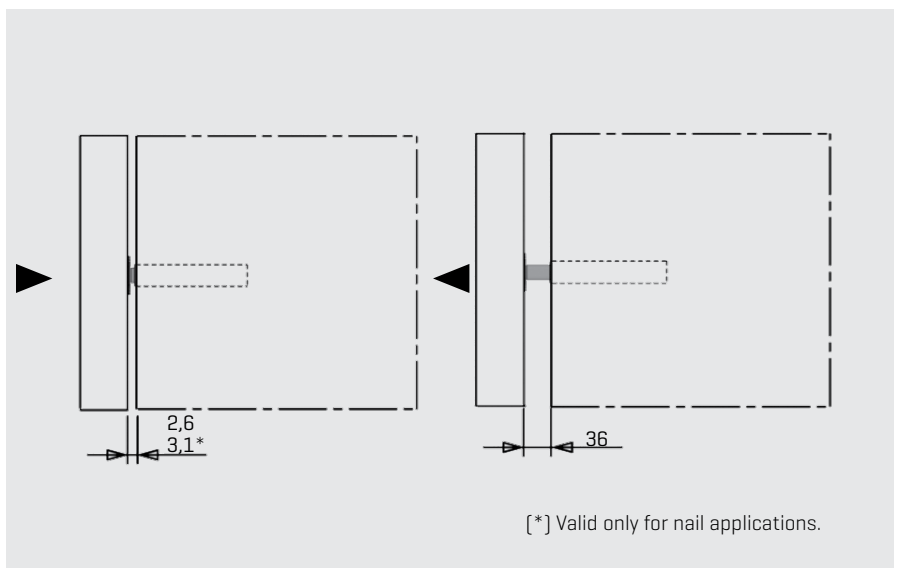
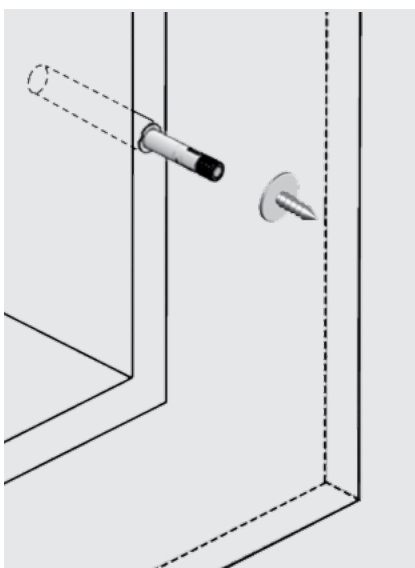
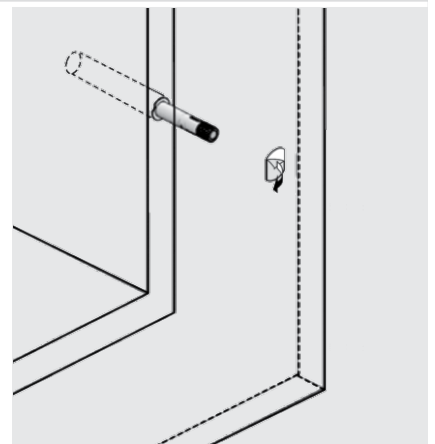
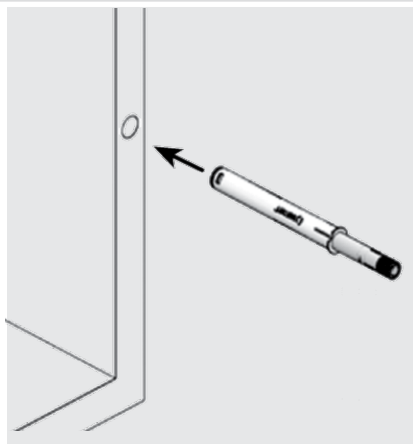
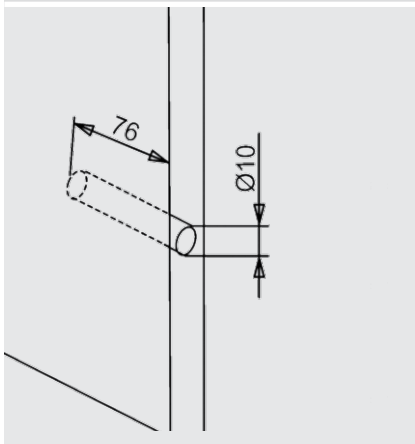


Push-Open Long Latch	
DEFINITION	CODE
Push-Open Long Latch Grey 125	10299924

Push-Open Long Latch Counter Piece (Magnet)	
DEFINITION	CODE
Push-Open Long Latch Counter Piece Nickel 250	10299923

Push-Open Long Latch Counter Piece with Nail (Magnet)	
DEFINITION	CODE
Push-Open Long Latch Counter Piece with Nail Nickel 250	10299926

Dimensions and Assembly



[*] Valid only for nail applications.

hinge systems

Push-Open Short Latch Adjustable Adaptor



- It provides to Assembly short latch mechanism into cabinet.
- Applicable to adjust -1,5 mm to +4 mm for assembly errors.
- Packaging: 250 Pcs
- Color : Grey



Push-Open Short Latch Adjustable Adaptor

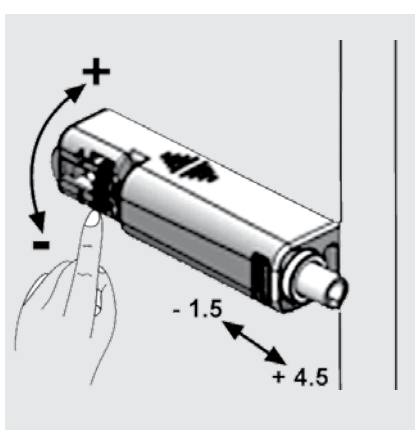
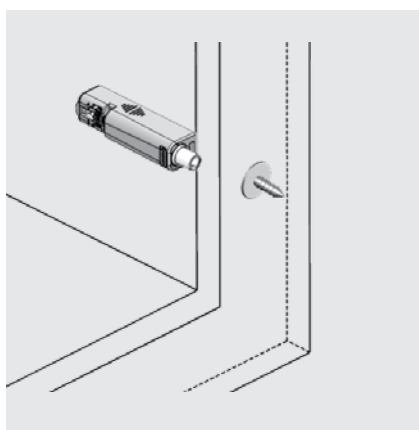
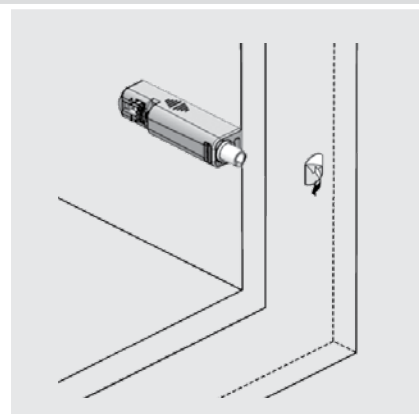
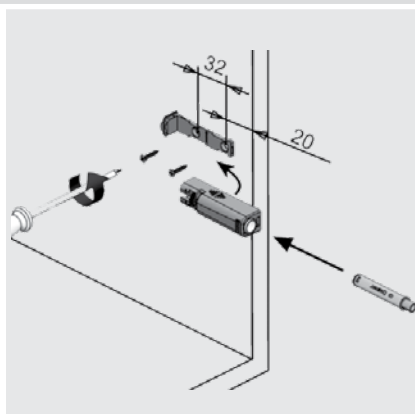
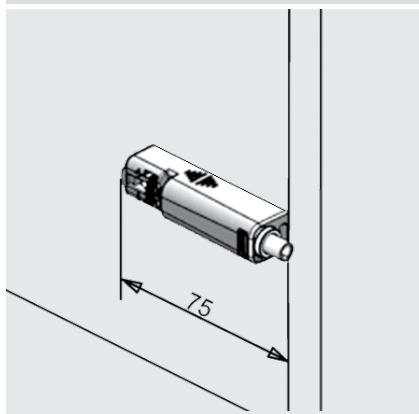
DEFINITION

CODE

Push-Open Short Latch Adjustable Adaptor

10299922

Dimensions and Assembly



Screw Options

Ø3,5x16 mm Chipboard Screw



Push-Open Long Latch Adjustable Adaptor



- It provides to Assembly long latch mechanism into cabinet.
- Concealed screw connections by slider body desing.
- Used with long latch.
- Packaging: 250 Pcs
- Color : Grey



Push-Open Long Latch Adaptor

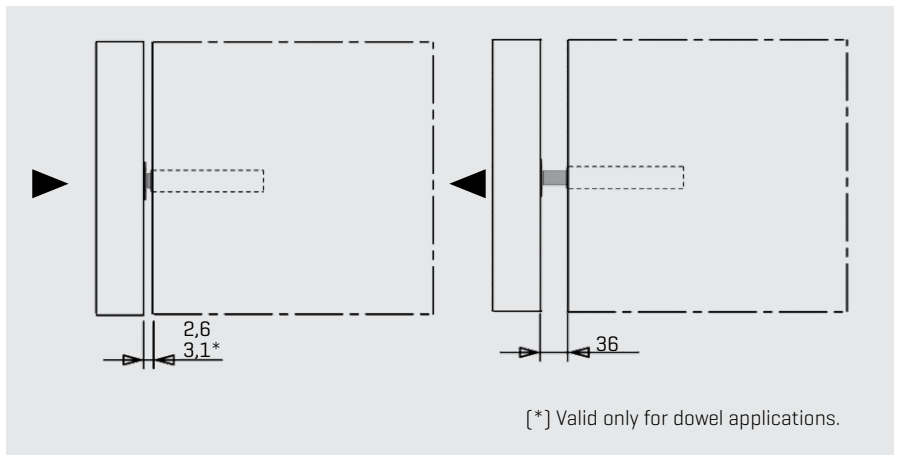
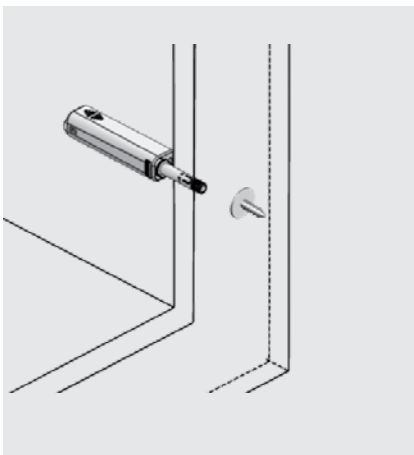
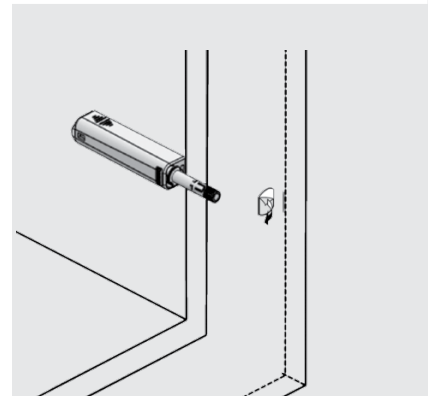
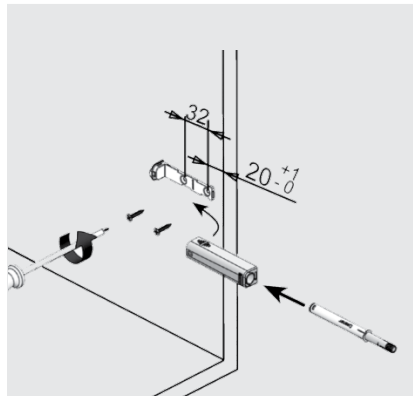
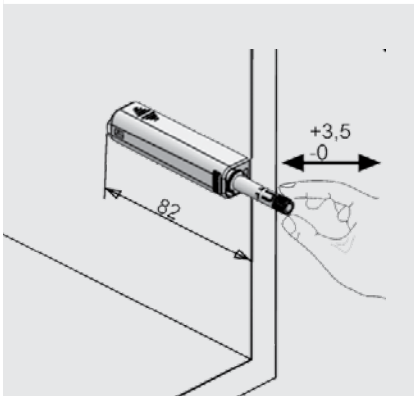
DEFINITION

CODE

Push-Open Long Latch Adaptor

10299921

Dimensions and Assembly



[*] Valid only for dowel applications.

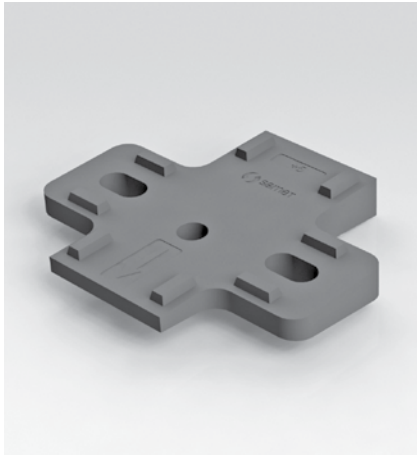
Screw Options

Ø3,5x16 mm Chipboard Screw



hinge systems

[+5°]-[-5°] Star Track and Star Hinge Distance

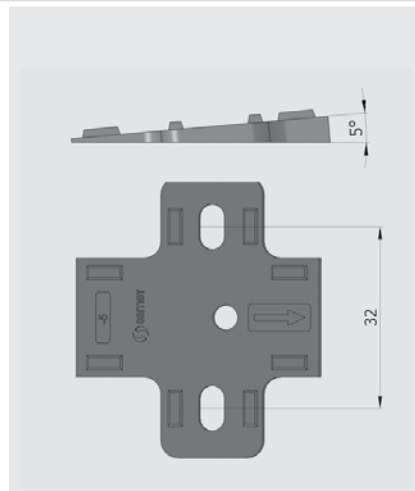
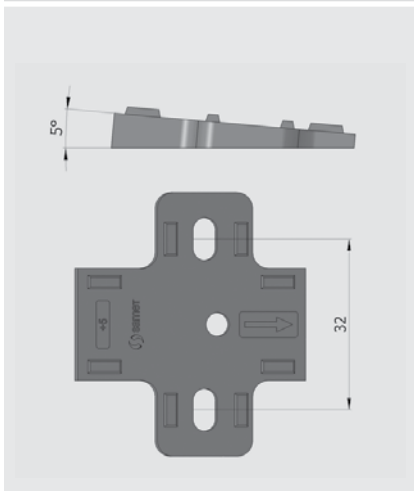


- Material : Plastic
- Appearance : Grey
- Packaging : 250 Pieces
- These distances could be used only with mounting plates at L=37 mm.

[+5°] Star Track and Star Hing Distance	
DEFINITION	CODE
[+5°] Star Track and Star Hinge Distance	102112

[-5°] Star Track and Star Hinge Distance	
DEFINITION	CODE
[-5°] Star Track and Star Hinge Distance	102113

Dimensions



[7,5 mm]-[17,5 mm] Star Track and Star Hinge Distance

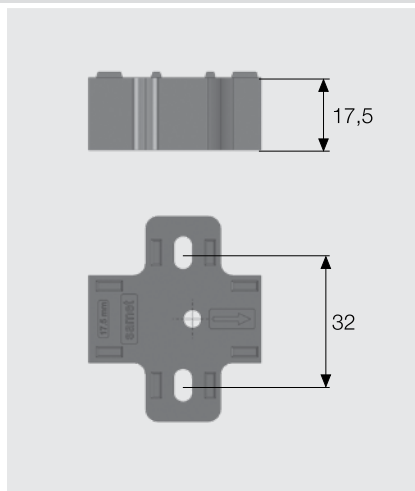
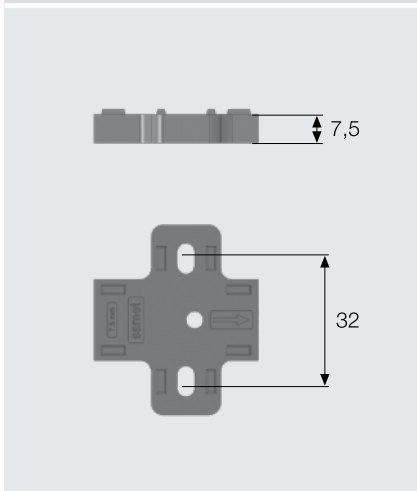


- Material : Plastic
- Appearance : Grey
- Packaging : 250 Pieces
- These distances could be used only with mounting plates at L=37 mm

7,5 mm Star Track and Star Hinge Distance	
DEFINITION	CODE
7,5 mm Star Track and Star Hinge Distance	102111

17,5 mm Star Track and Star Hinge Distance	
DEFINITION	CODE
17,5 mm Star Track and Star Hinge Distance	102110

Dimensions



hinge systems

Hinge and Hinge Cup Decorative Cover



Master Hinge Decorative Cover

DEFINITION	CODE
Master Hinge Decorative Cover with Logo	10258001
Master Hinge Decorative Cover without Logo	10258003

- Material : Steel
- Appearance : Nickel
- Packaging : 500 Pieces
- Package/Kg : 0,925
- Package / m³ : 0,002
- Your Company's logo and name can be printed on the decorative cover [Min. 20.000 pcs.]
- This Product can only be used with Master Hinges



Star Hinge Decorative Cover

DEFINITION	CODE
Star Hinge Decorative Cover with Logo	10254001
Star Hinge Decorative Cover without Logo	10254010

- Material : Steel
- Appearance : Nickel
- Packaging : 500 Piece
- Package/Kg : 0,925
- Package / m³ : 0,002
- Your Company's logo and name can be printed on the decorative cover [Min. 20.000 pcs.]
- This Product can only be used with Star and Star Track Hinges with 0 mm Crank.



Star Hinge Decorative Cover

DEFINITION	CODE
Star Hinge Decorative Cover with Logo	1025114
Star Hinge Decorative Cover without Logo	1025021

- Material : Steel
- Appearance : Nickel
- Packaging : 500 Piece
- Package/Kg : 0,925
- Package / m³ : 0,002
- Your Company's logo and name can be printed on the decorative cover [Min. 20.000 pcs.]



Master Hinge Decorative Cover Black

DEFINITION	CODE
Master Hinge Decorative Cover with Logo	10258501
Master Hinge Decorative Cover without Logo	10258503

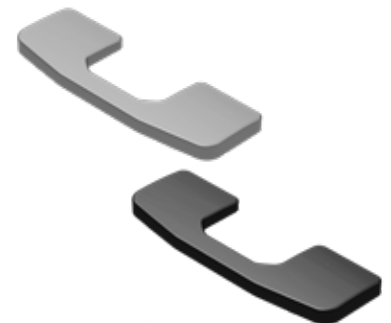
- Material : Steel
- Appearance : Black
- Packaging : 500 Pieces
- Package/Kg : 0,925
- Package / m³ : 0,002
- Your Company's logo and name can be printed on the decorative cover [Min. 20.000 pcs.]
- This Product can only be used with Master Hinges



Star Hinge Decorative Cover

DEFINITION	CODE
Star Hinge Decorative Cover 45 mm	1025501
Star Hinge Decorative Cover 48 mm	1025502
Star Hinge Decorative Cover 52 mm	1025503

- Material : Steel
- Appearance : Nickel
- Packaging : 500 pieces
- This product is available for models including Star and Star Track excluding Star 165° Hinge models.



Master Hinge Decorative Cover

DEFINITION	CODE
Master Hinge Decorative Cover 45 mm	1025504
Master Hinge Decorative Cover 48 mm	1025505
Master Hinge Decorative Cover 52 mm	1025506
Master Hinge Decorative Cover 45 mm Black	1025514
Master Hinge Decorative Cover 48 mm Black	1025515
Master Hinge Decorative Cover 52 mm Black	1025516

- Material : Steel
- Appearance : Nickel
- Packaging : 250 Pieces



Round Shape Decorative Cover

COATING	CODE
Shining Chrome	1240102
Matt Nickel	1240103
Black	1240104
Metalic Grey Painted	1240105
Matt Nickel Painted	1240106
Gold Painted	1240107
Matt Gold Painted	1240108
Cherry Painted	1240109

D Shaped Decorative Cover

COATING	CODE
Shining Chrome	1240112
Matt Nickel	1240113
Black	1240114
Metalic Grey Painted	1240115
Matt Nickel Painted	1240116
Gold Painted	1240117
Matt Gold Painted	1240118
Cherry Painted	1240119

Rectangular Shaped Decorative Cover

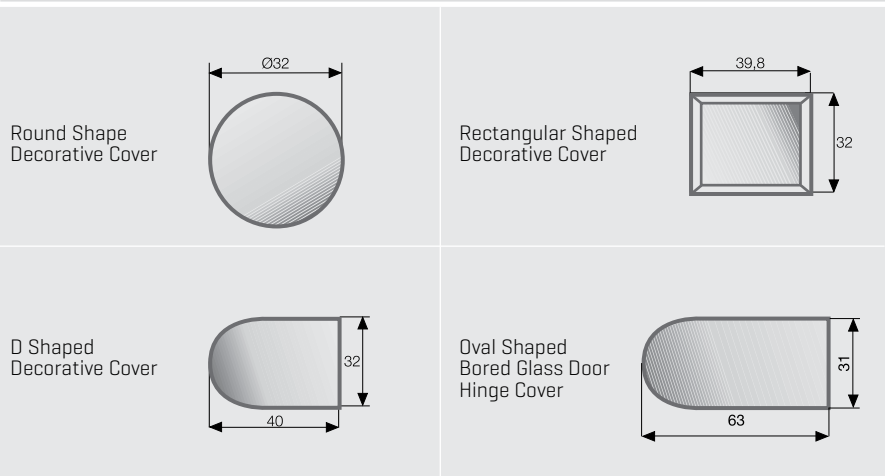
COATING	CODE
Shining Chrome	1240122
Matt Nickel	1240123
Black	1240124
Metalic Grey Painted	1240125
Matt Nickel Painted	1240126
Gold Painted	1240127
Matt Gold Painted	1240128
Silver Grey Nickel	1240129
Cherry Painted	1240130



Oval Shaped Bored Glass Door Hinge Cover

DEFINITION	CODE
Brown	1240402
Yellow / Brass	1240403
Aluminum	1240404

Cover Dimensions



Decofix

Aluminium Frame Door Systems



1240201
Aluminium Square Profile

1240202
Aluminium Rectangular Profile

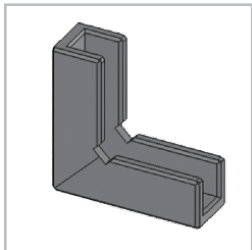
1240203
Aluminium D-Shape Profile

1240204
Aluminium Glassy Profile

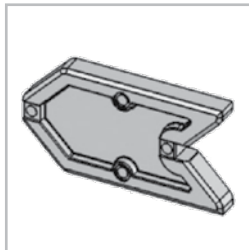
1240207
Aluminium Angular Profile

Aluminium Profile Frames Code Table

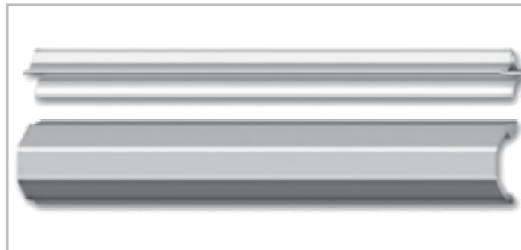
DEFINITION	CODE	KG/BOX	LENGHT	m ² /BOX	PACKAGE
1 Aluminium Square Profile	1240201	21	2,8 mt	0,077	24 Pcs/Carton
2 Aluminium Rectangular Profile	1240202	29	2,8 mt	0,046	24 Pcs/Carton
3 Aluminium D-Shape Profile	1240203	35	2,8 mt	0,046	24 Pcs/Carton
4 Aluminium Glassy Profile	1240204	27,5	2,8 mt	0,046	24 Pcs/Carton
7 Aluminium Angular Profile	1240207	21	2,8 mt	0,046	24 Pcs/Carton



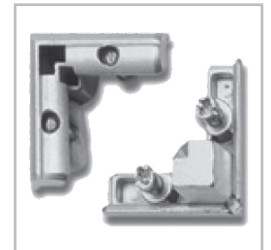
1240242
Glass Gasket



1240243
Corner Fitting For Glassy Profile



1240221 Glas Gasket
1240211 Aluminium Cover



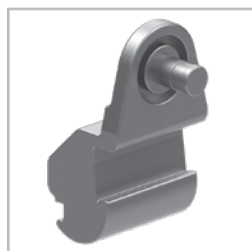
1240231
Corner Fitting

Decofix Assembly Parts Code Table

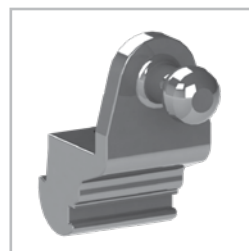
DEFINITION	CODE	KG/BOX	LENGHT	m ² /BOX	PACKAGE
1, 2, 3, 7 Glass Gasket	1240242	1,12		0,046	100 Pcs / Package
4 Corer Fitting For Aluminium Profile	Satin Alu- 1240243	1,96		0,046	100 Pcs / Package
minium Cover - Aluminium	1240211	5,34	2,8 mt	0,002	24 Pcs/Carton
Glas Gasket	1240221	-	2,5 mt	-	24 Pcs/Carton
Corner Fitting	1240231	-		0,007	100 Pcs/Package-500 Pcs/Carton
Handle Screws and Handle Grommet	1240241	-		-	100 Pcs/Package-250 Pcs/Carton



1240283 Decofix Outset Door Adaptor for Performa Lid Stay 152



1240284 Decofix Inset Door Adaptor For Performa Lid Stay

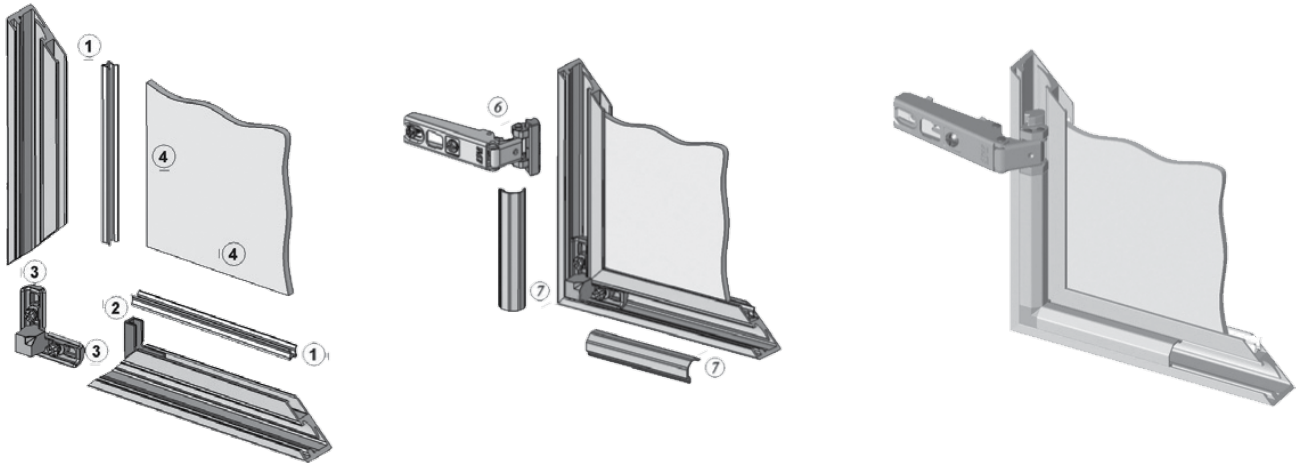


1240285 Decofix Outset Door Adaptor For Gas Spring

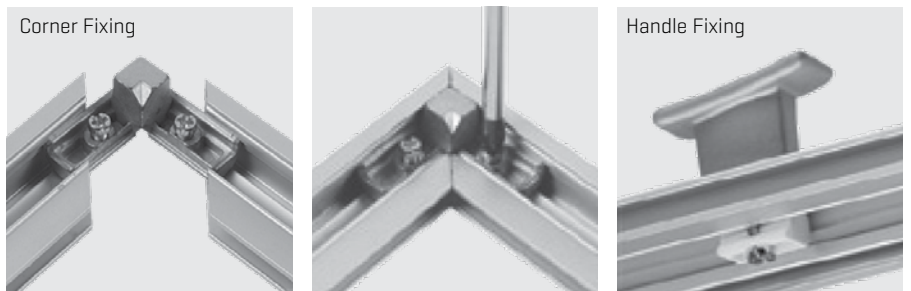


1240286 Decofix Inset Door Adaptor For Gas Spring

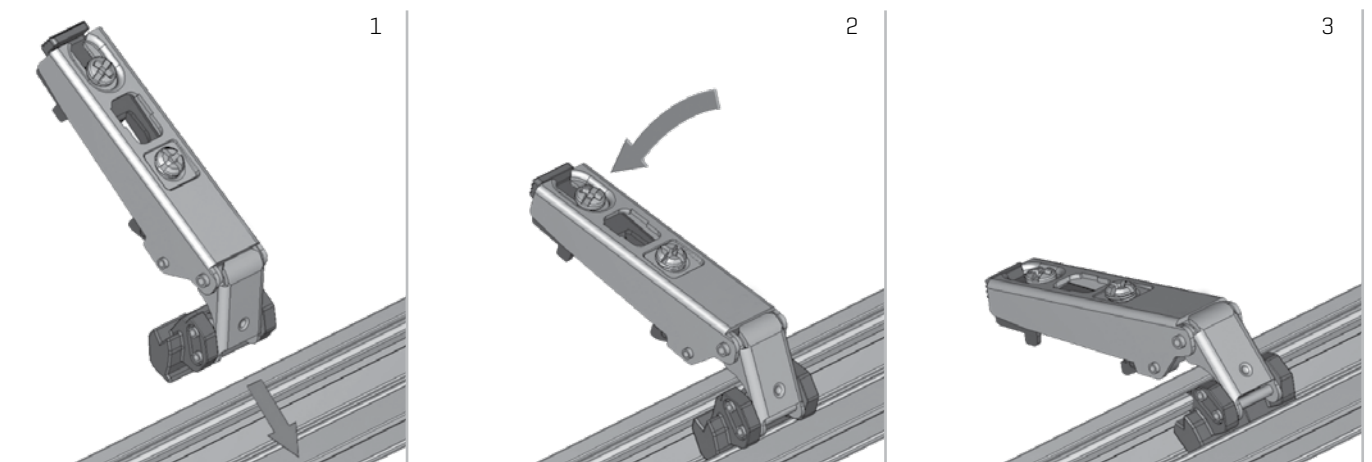
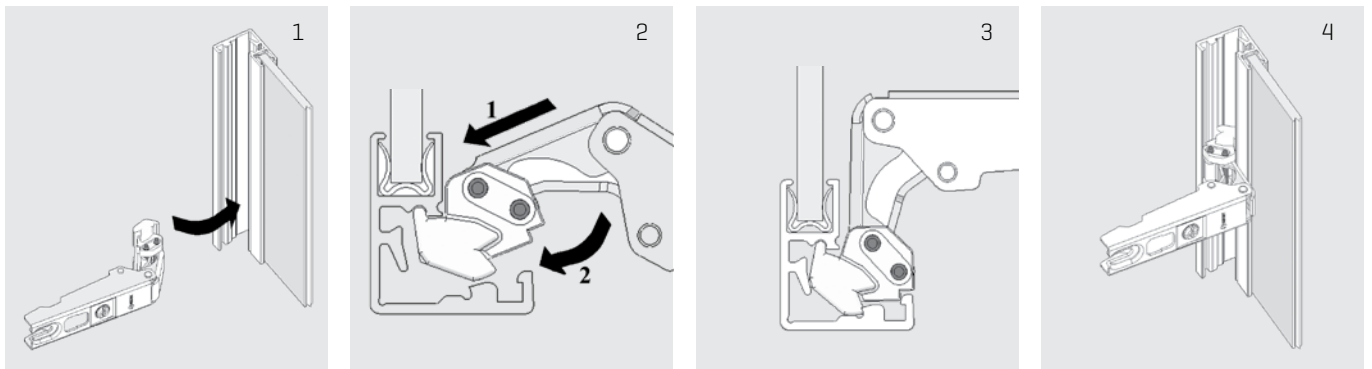
Decofix Assembly Steps



- 1 - Glass Gasket 1240221
- 2 - Corer Fitting for Aluminium Profile - 1240242
- 3 - Corner Fitting - 1240231
- 4 - Glass
- 5 - Decofix Hinge
- 6 - Aluminium Cover 1240211



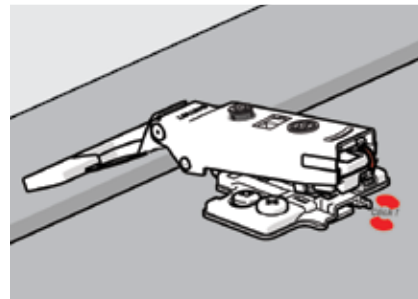
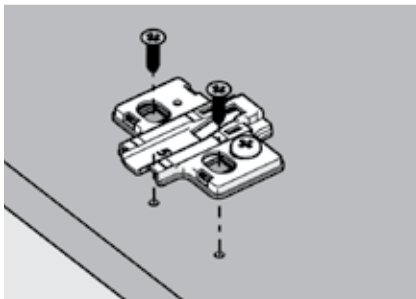
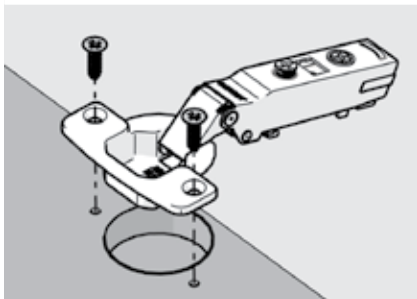
Decofix Hinge Fixing



hinge systems

Assembly

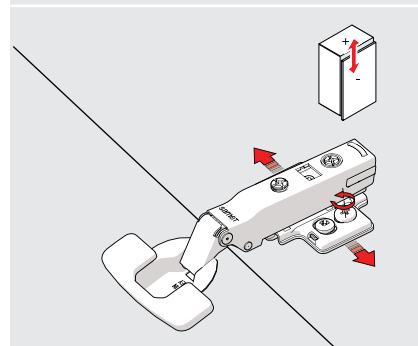
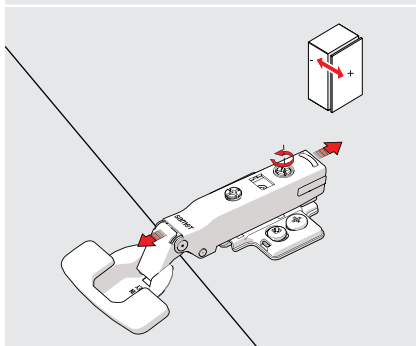
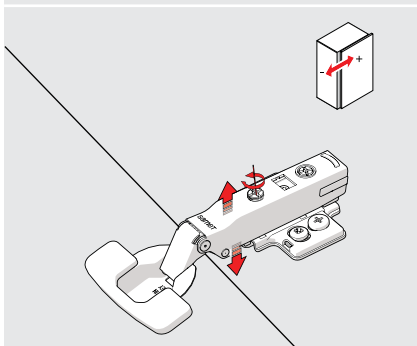
Mounting of Master



3D eccentric screw provides the ability to move right and left. (4 mm for Invo Plus and 7mm for Master Hinge). **1**

3D eccentric screw provides forward and backward movement (4 mm for Invo Plus and 5 mm for Master Hinge) **2**

3D eccentric screw provides upward and downward movement in total 4 mm. **3**



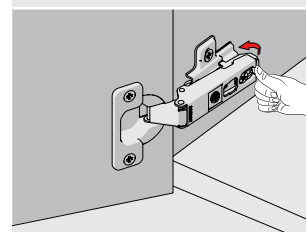
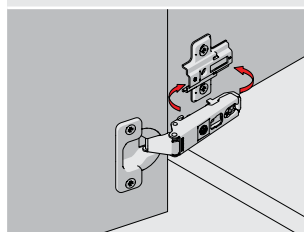
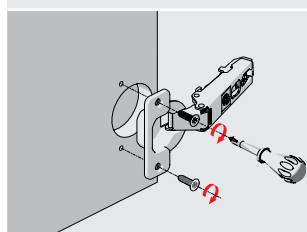
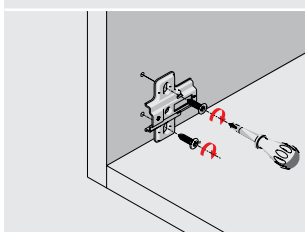
Mounting of Star Track Mounting Plate and Hinge

Screw the Hinge Mounting Plate **1**

Screw the hinge's body on the cup. **2**

Place the hinge on the mounting plate. **3**

Complete the mounting by slightly pressing on the Star Track Mechanism. **4**



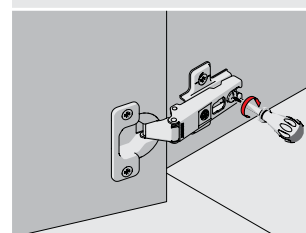
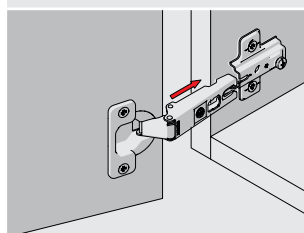
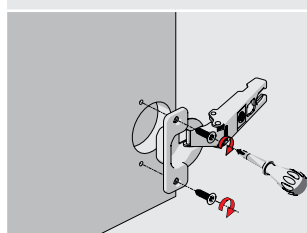
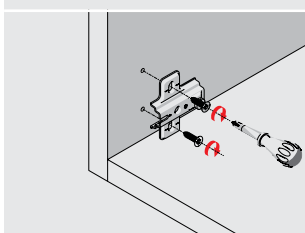
Mounting of Star Mounting Plate and Hinge

Screw the Hinge Mounting Plate **1**

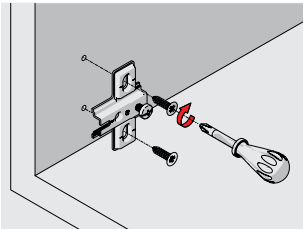
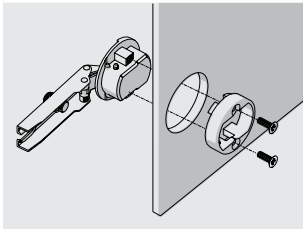
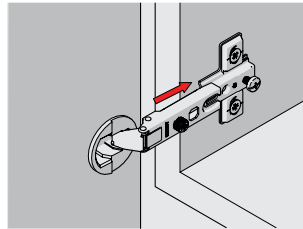
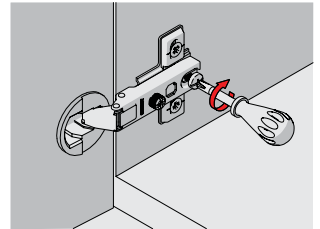
Screw the hinge's body on the cup. **2**

Fix the Star Hinge's body on the mounting plate. **3**

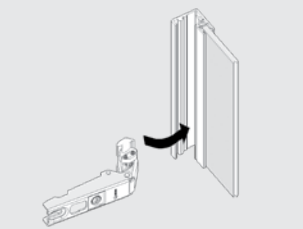
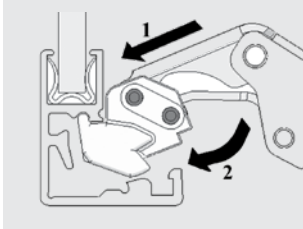
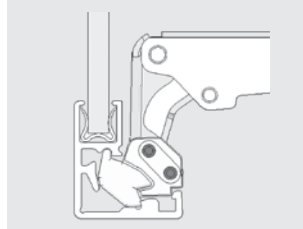
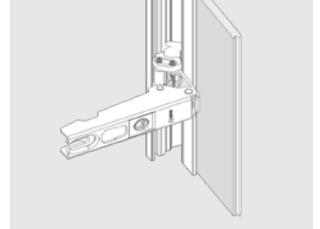
Tighten setscrew to finish assembly. **4**



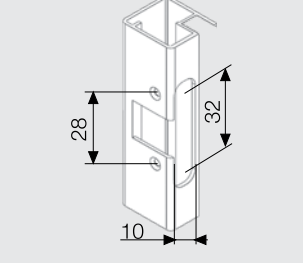
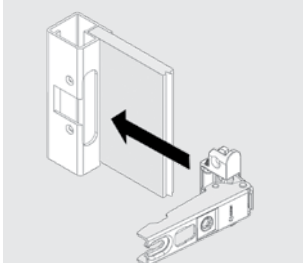
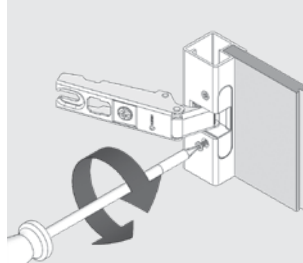
Mounting of Star Glass Door Hinge

Mounting Plate 1	Place the hinge through the hole. 2	Place the hinge's body on the mounting plate. 3	Tighten setscrew to finish Assembly. 4
			

Mounting of Decofix Aluminum Profile Door Systems

Place Decofix on profile. 1	Hinge is pushed as show. 2	It is mounted by pressing. 3	4
			

Mounting of Aluminum Profile and Narrow Aluminum Profile Star, as well as Star Track Hinges

Profile dimension. 1	Hinge is fixed to profile. 2	Tighten the screws. 3
		

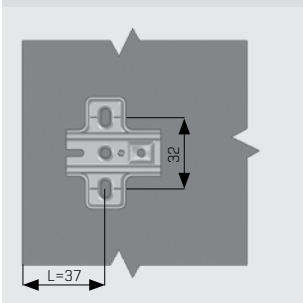
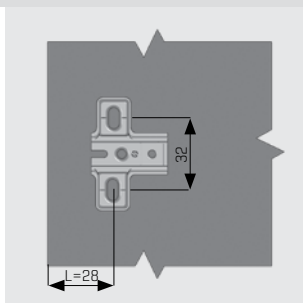
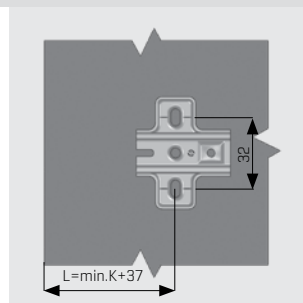
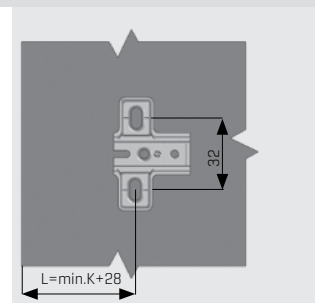
Safety Information

Wide Angle Hinges- Safety Information

Please mind that, fingers can get in between the working mechanism of the hinge during opening or closing the door.

End users must be informed about this by manufacturers.

Assembly Instruction for Mounting Plate to Side Panel

			
---	---	--	---

* Distance is 37 mm or 28 mm from edge of overlay door's side wall to mounting plate's holes.

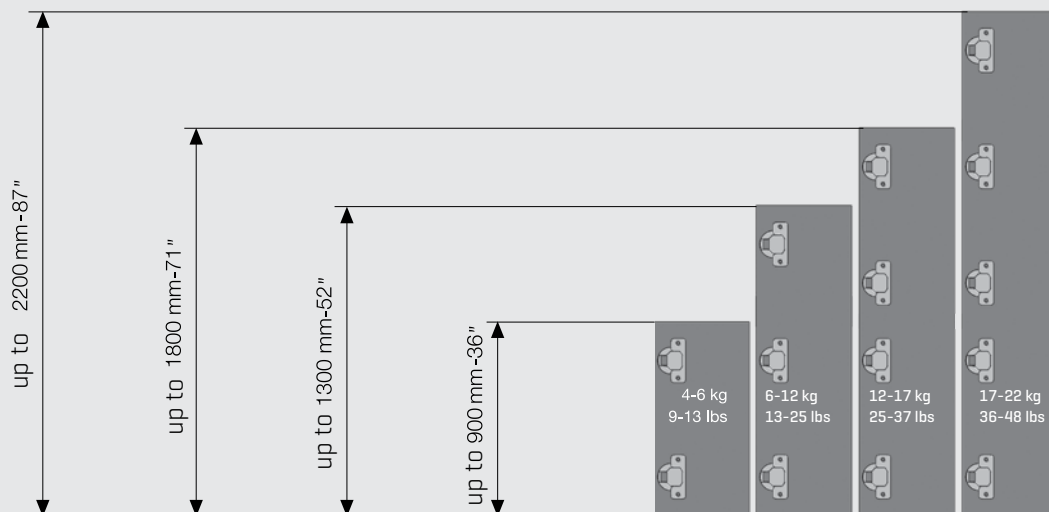
* For calculating the distance between inset door's side wall and mounting plate's holes on which door's thickness is added to 37 mm or 28 mm.

hinge systems

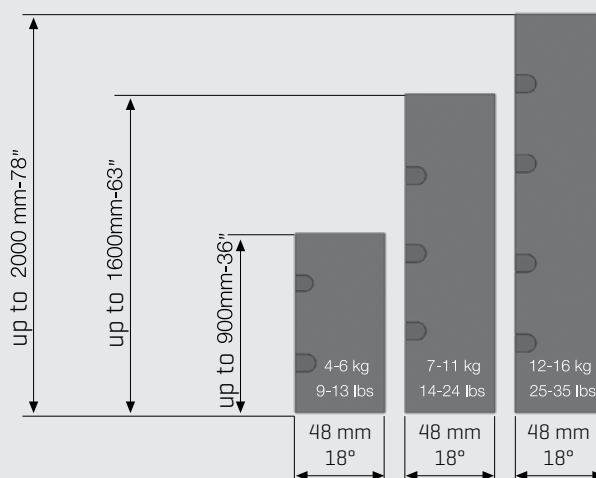
Dimension Charts and Symbols

Required Hinge Quantity for Wooden Doors

- * Quantity of hinges can be calculated according to door dimensions and weight of the door by referring the diagram.
- * The number of hinges showed in table should be considered as guide. The number of hinges should be decided with trial installation for uncertain situation.
- * Door width is taken as up to 600 mm.



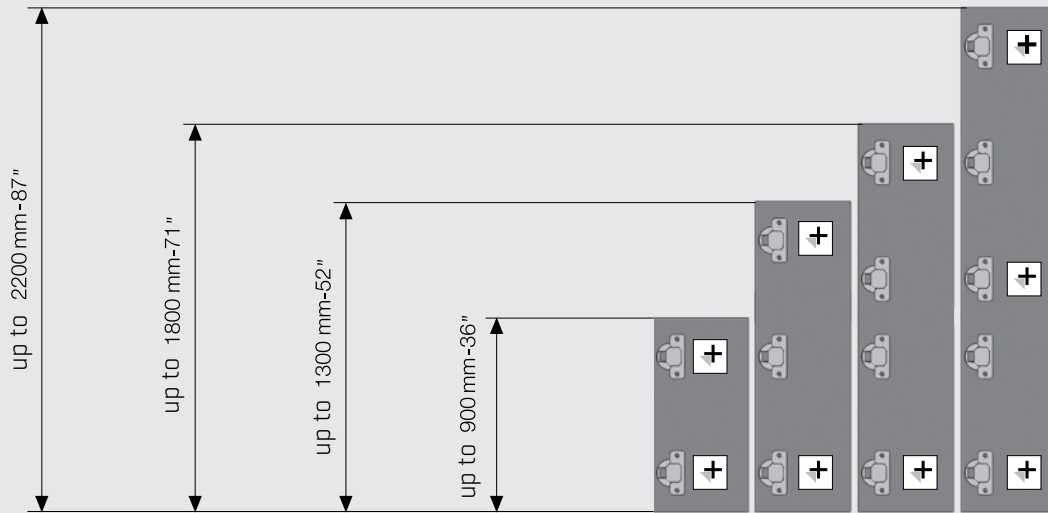
Required Hinge Quantity for Glass Doors



Required Master Soft Close Hinge quantity, according to the door dimensions

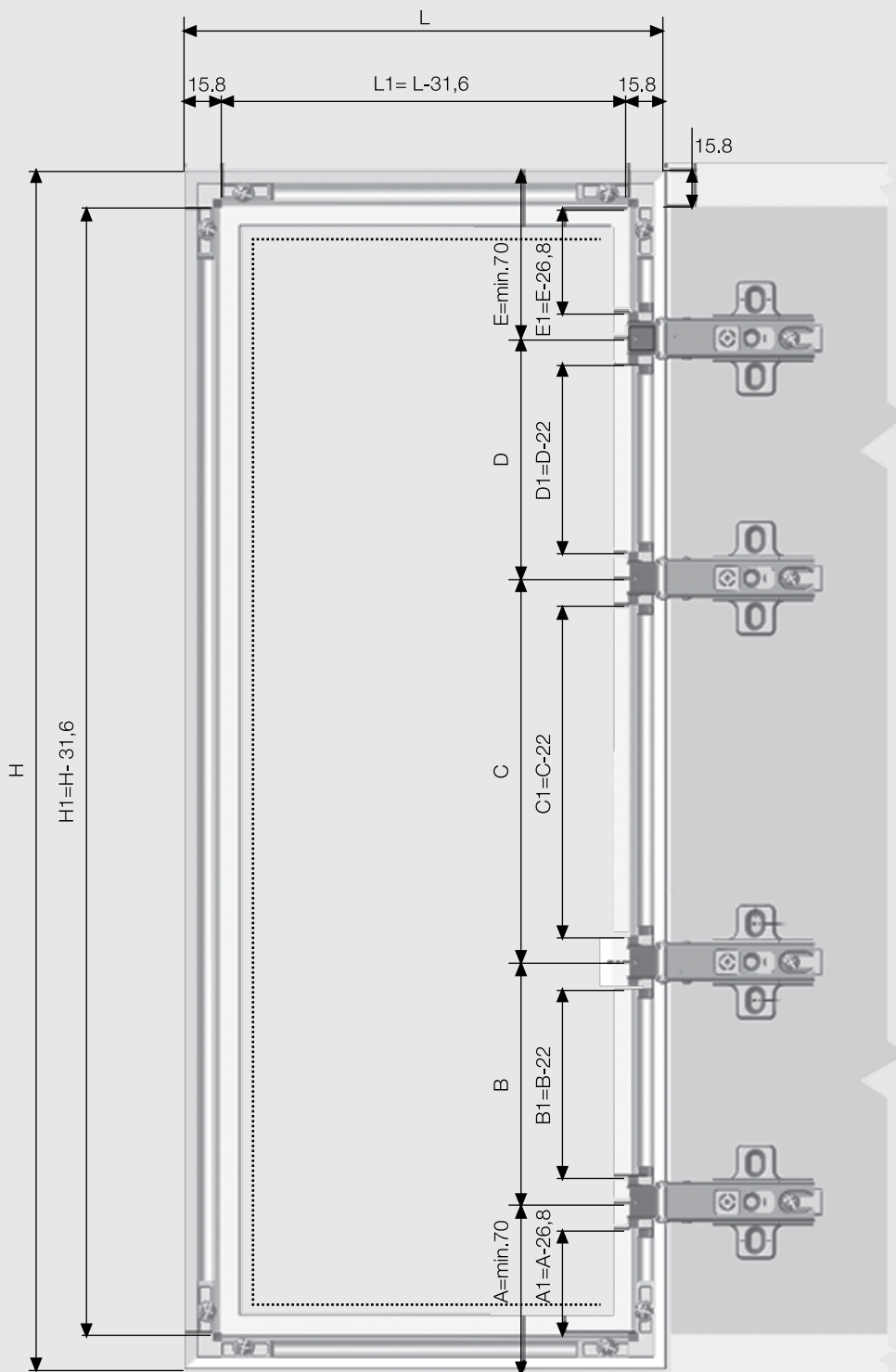
* Door width is taken as up to 600 mm.

* Number of soft close hinges can change according to the weight of the door. The number of hinges should be decided with trial installation for uncertain situation.



hinge systems

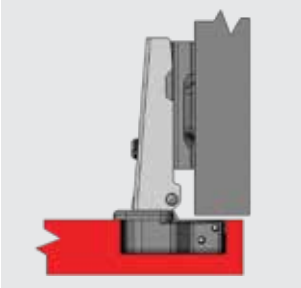
Decofix Aluminium Profile Door Systems Dimensions of Decorative Cover and Hinge



Symbols

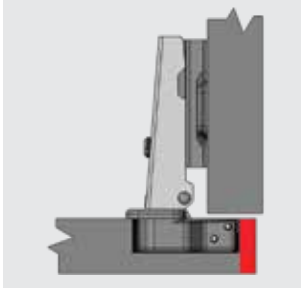
DOOR THICKNESS

K



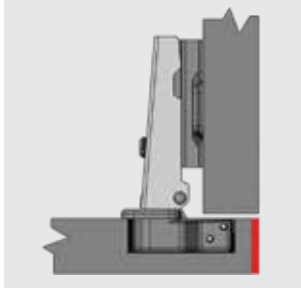
CUP DISTANCE

T



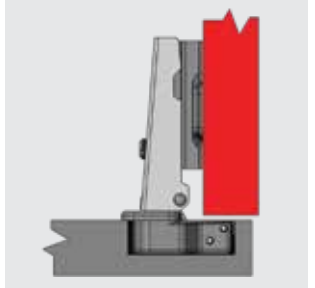
FUGA

F



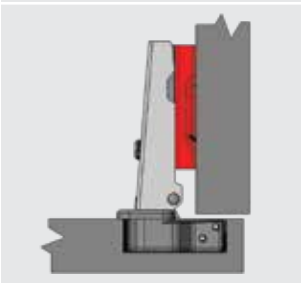
SIDE WALL THICKNESS

S



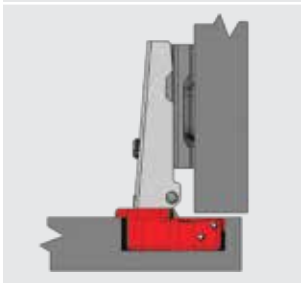
MOUNTING PLATE THICKNESS

A



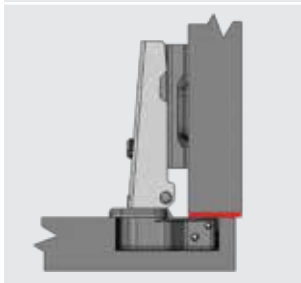
CUP DRILLING DIAMETER

D



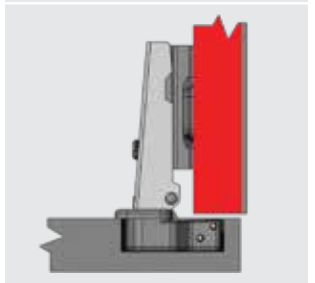
MINIMUM GAP

G



OVERLAY

B



Perfect Movement Provided by Cutting-Edge Technology

Engineered movement technology allows the usage of drawers with a gentle touch even in different loads while advanced soft-close technology ensures silent and smooth closing performance.



Read the QR code to learn more about drawer systems.



Install a QR code reader for your operating system. Then start the QR code reader and keep your smartphone or tablet approximately 20 cm above the QR code.



46 mm Full Extension Soft-Close Slide System



- Engineered movement technology ensures smooth running performance
- Improved soft-close technology
- High tolerance values for easy- assembly
- High rigidity & robust structure with high-quality balls & profiles
- Drawer Lengths: 300 – 700 mm
- 30 kg loading capacity

Cabinet Dimensions

2mm

$CD = DD + \text{min.}3\text{mm}$

Technical Dimensions

CIW

$DW = CIW - 26\text{mm}$

Drawer Dimensions

2mm

$DD = NL$

Parts

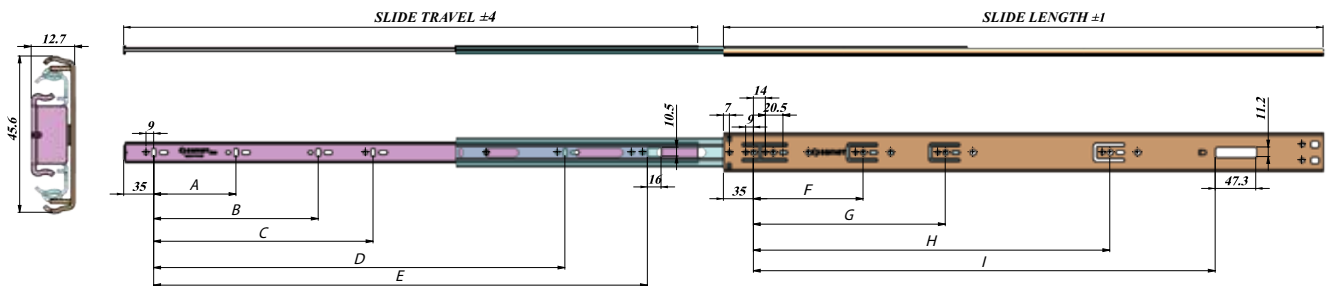
Recommended Screw

Ø3,5 x 16mm

CIW : Cabinet Inner Width
DW : Drawer Width

CD : Cabinet Depth
DD : Drawer Depth

NL : Nominal Length



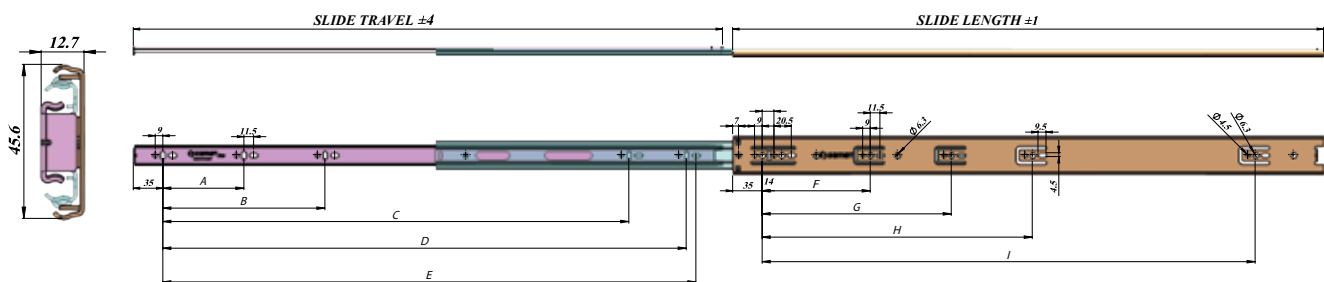
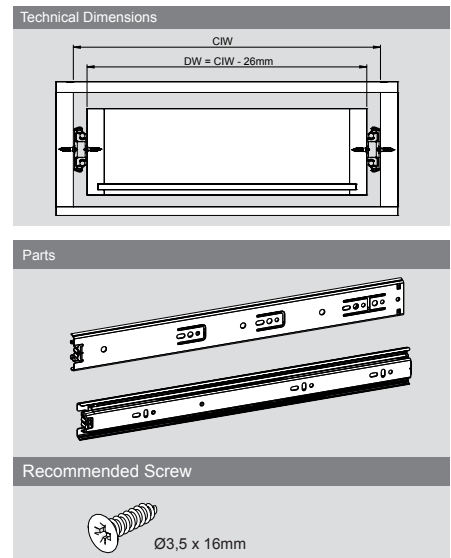
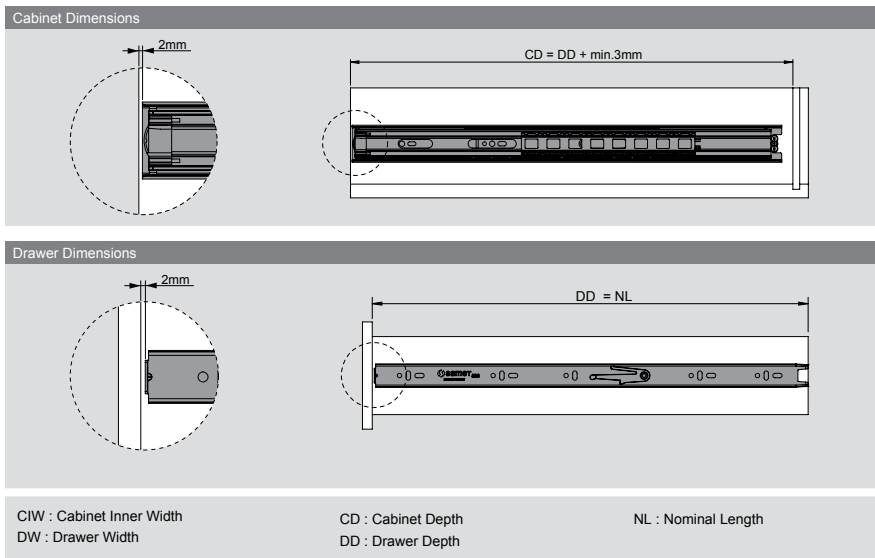
Code Clear Zinc	Code Galvanized	Code Black	Slide Length mm	Slide Travel mm	Loading Capacity kg	Quantity in box set	Hole Positions mm								
							A	B	C	D	E	F	G	H	I
11662152000	11662452000	11662552000	300	252	30	12	-	-	-	-	176,2	-	-	-	139,1
11662153000	11662453000	11662553000	350	335	30	12	96	-	-	-	226,2	128	-	-	189,1
11662154000	11662454000	11662554000	400	385	30	12	96	-	-	224	276,2	128	-	-	239,1
11662155000	11662455000	11662555000	450	450	30	12	96	192	-	-	326,2	128	224	-	289,1
11662156000	11662456000	11662556000	500	500	30	12	96	192	-	320	376,2	128	224	-	339,1
11662157000	11662457000	11662557000	550	550	30	12	96	192	-	352	426,2	128	224	320	389,1
11662158000	11662458000	11662558000	600	600	30	12	96	192	-	384	476,2	128	224	352	439,1
11662159000	11662459000	11662559000	650	650	30	12	96	192	256	448	526,2	128	224	416	489,1
11662160000	11662460000	11662560000	700	700	30	12	96	192	256	480	576,2	128	224	416	539,1

CLASS

46 mm Full Extension Slide System



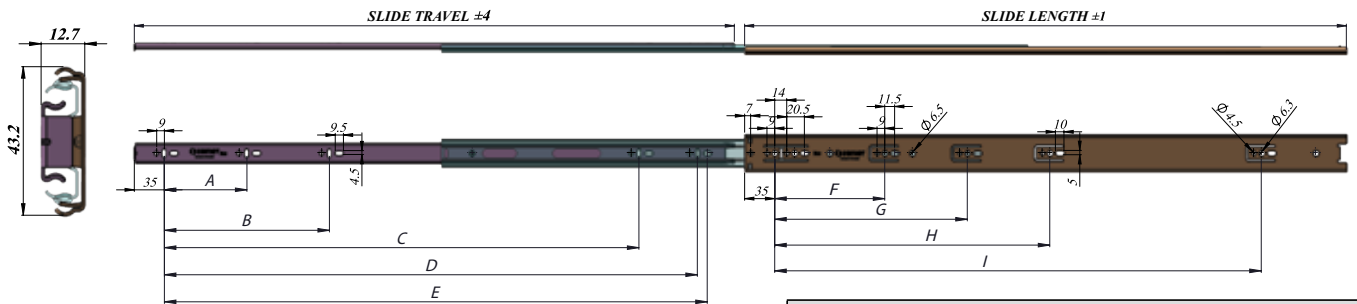
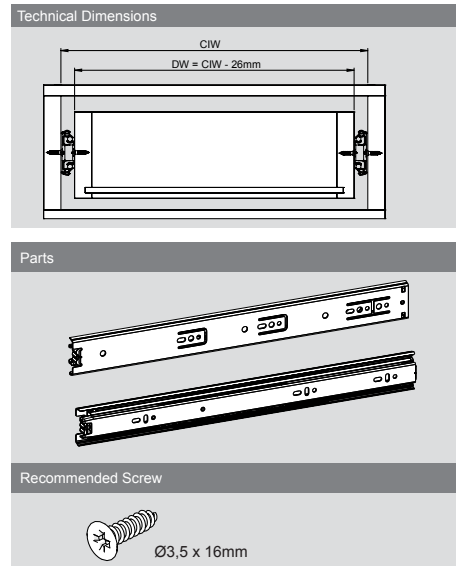
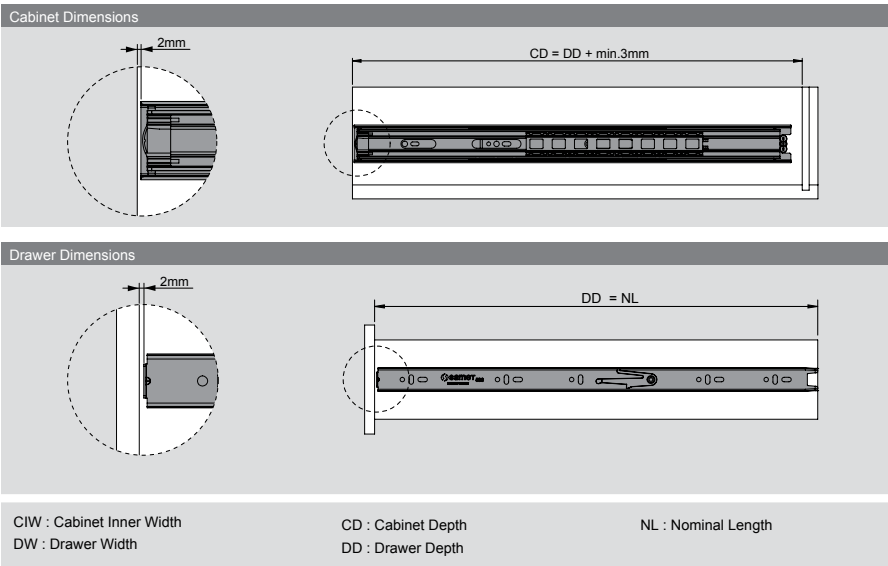
- Engineered movement technology ensures smooth running performance
- High tolerance values for easy- assembly
- High rigidity & robust structure with high-quality balls & profiles
- Drawer Lengths: 250 – 700 mm
- 45 kg loading capacity



Code Clear Zinc	Code Galvanized	Code Black	Slide Length mm	Slide Travel mm	Loading Capacity kg	Quantity in box set	Hole Positions mm								
							A	B	C	D	E	F	G	H	I
11661151000	11661451000	11661551000	250	250	45	12	-	-	-	170	181,5	128	-	-	-
11661152000	11661452000	11661552000	300	295	45	12	96	-	-	220	231,5	128	224	-	-
11661153000	11661453000	11661553000	350	354	45	12	96	-	-	256	267,5	128	224	-	-
11661154000	11661454000	11661554000	400	404	45	12	96	-	-	288	299,5	128	224	-	-
11661155000	11661455000	11661555000	450	447	45	12	96	-	302	370	381,5	128	224	-	-
11661156000	11661456000	11661556000	500	503	45	12	96	192	352	420	431,5	128	224	-	384
11661157000	11661457000	11661557000	550	560	45	12	96	192	402	470	481,5	128	224	-	434
11661158000	11661458000	11661558000	600	610	45	12	96	192	452	520	531,5	128	224	320	484
11661159000	11661459000	11661559000	650	660	45	12	96	192	502	570	581,5	128	224	320	534
11661160000	11661460000	11661560000	700	710	45	12	96	192	552	620	631,5	128	224	320	584



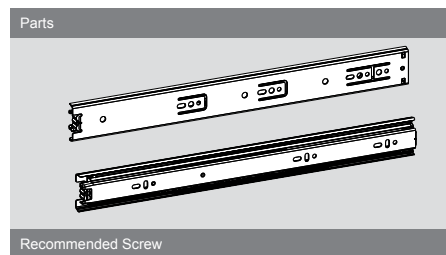
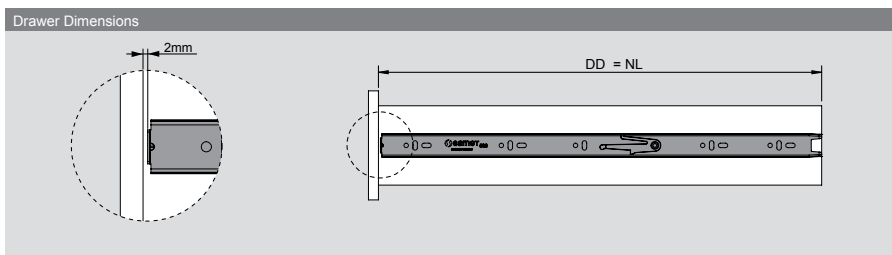
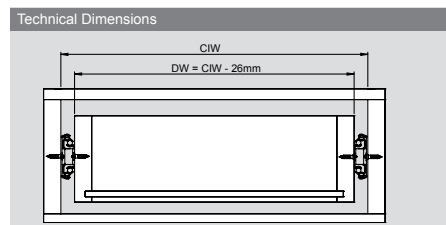
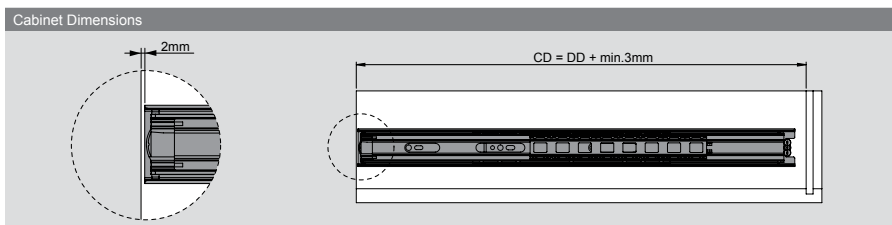
- Engineered movement technology ensures smooth running performance
- High tolerance values for easy- assembly
- High rigidity & robust structure with high-quality balls & profiles
- Drawer Lengths: 250 – 700 mm
- 25 kg loading capacity



Code Clear Zinc	Code Galvanized	Slide Length mm	Slide Travel mm	Loading Capacity kg	Quantity in box set	Hole Positions mm								
						A	B	C	D	E	F	G	H	I
11651151000	11651451000	250	250	25	12	-	-	-	170	181,5	128	-	-	-
11651152000	11651452000	300	295	25	12	96	-	-	220	231,5	128	224	-	-
11651153000	11651453000	350	354	25	12	96	-	-	256	267,5	128	224	-	-
11651154000	11651454000	400	404	25	12	96	-	-	288	299,5	128	224	-	-
11651155000	11651455000	450	447	25	12	96	-	302	370	381,5	128	224	334	-
11651156000	11651456000	500	503	25	12	96	192	352	420	431,5	128	224	384	-
11651157000	11651457000	550	560	25	12	96	192	402	470	481,5	128	224	320	434
11651158000	11651458000	600	610	25	12	96	192	452	520	531,5	128	224	320	484
11651159000	11651459000	650	660	25	12	96	192	502	570	581,5	128	224	320	534
11651160000	11651460000	700	710	25	12	96	192	552	620	631,5	128	224	320	566



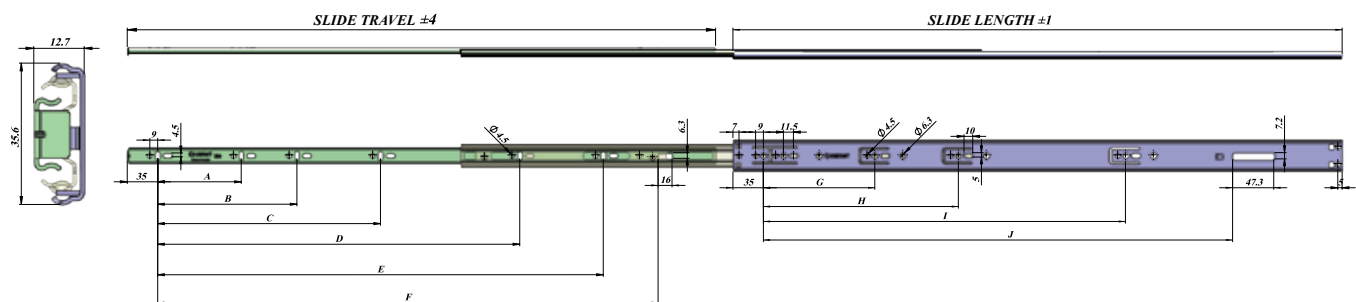
- Engineered movement technology ensures smooth running performance
- Improved soft-close technology
- High tolerance values for easy- assembly
- High rigidity & robust structure with high-quality balls & profiles
- Drawer Lengths: 300 – 700 mm
- 20 kg loading capacity



CIW : Cabinet Inner Width
DW : Drawer Width

CD : Cabinet Depth
DD : Drawer Depth

NL : Nominal Length

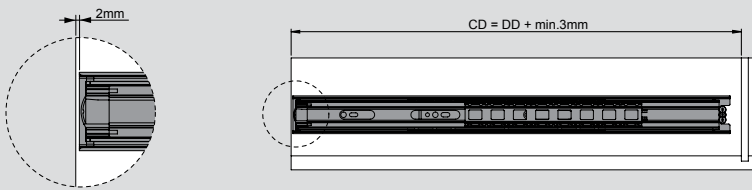


Code Clear Zinc	Code Galvanized	Slide Length mm	Slide Travel mm	Loading Capacity kg	Quantity in box set	Hole Positions mm									
						A	B	C	D	E	F	G	H	I	J
11642152000	11642452000	300	252	20	12	-	-	-	-	-	175	-	-	-	139,1
11642153000	11642453000	350	316	20	12	96	-	-	-	-	225	128	-	-	189,1
11642154000	11642454000	400	392	20	12	96	-	-	224	-	275	128	-	-	239,1
11642155000	11642455000	450	424	20	12	96	160	-	288	-	325	128	224	-	289,1
11642156000	11642456000	500	492	20	12	96	192	-	320	-	375	128	224	-	339,1
11642157000	11642457000	550	548	20	12	96	160	224	352	-	425	128	224	288	389,1
11642158000	11642458000	600	596	20	12	96	160	256	384	-	475	128	224	352	439,1
11642159000	11642459000	650	646	20	12	96	160	256	384	-	525	128	224	416	489,1
11642160000	11642460000	700	696	20	12	96	160	256	416	512	575	128	224	416	539,1

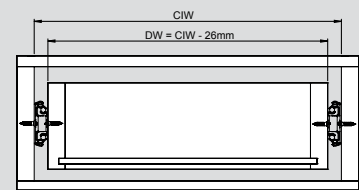


- Engineered movement technology ensures smooth running performance
- High tolerance values for easy- assembly
- High rigidity & robust structure with high-quality balls & profiles
- Drawer Lengths: 250 – 700 mm
- 25 kg loading capacity

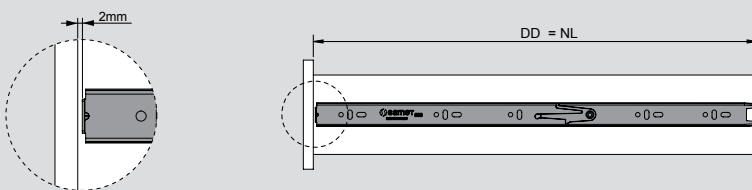
Cabinet Dimensions



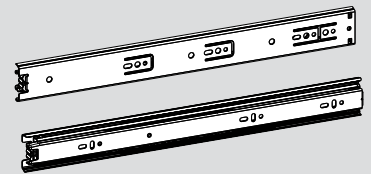
Technical Dimensions



Drawer Dimensions



Parts



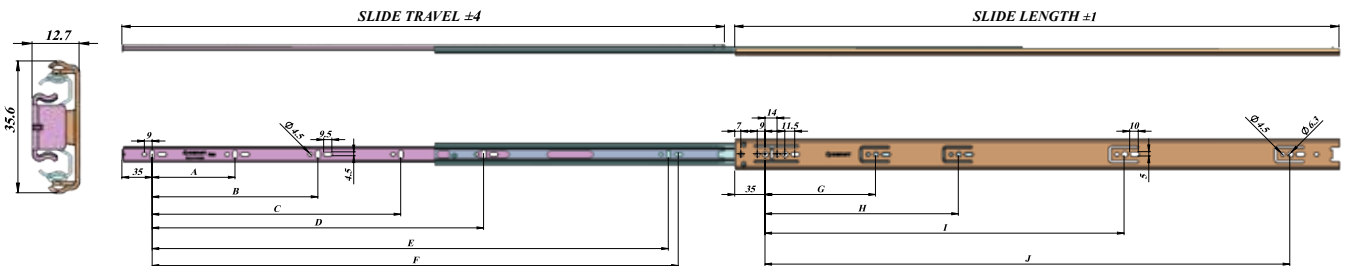
Recommended Screw



GIW : Cabinet Inner Width
DW : Drawer Width

CD : Cabinet Depth
DD : Drawer Depth

NL : Nominal Length

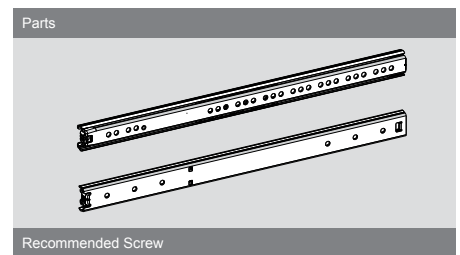
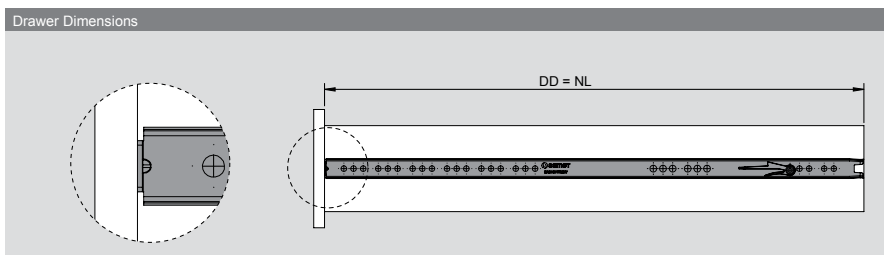
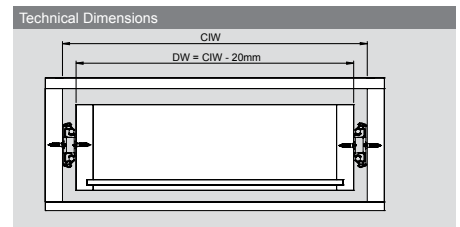
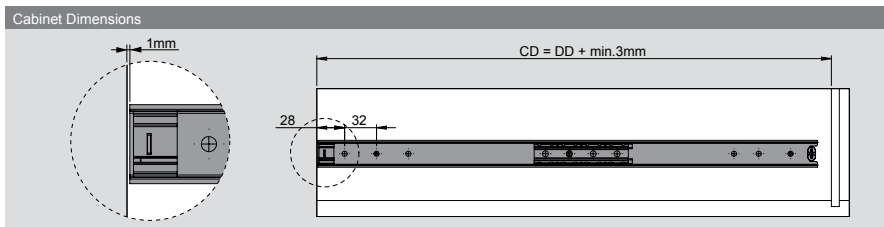


Hole Positions mm

Code Clear Zinc	Code Galvanized	Slide Length mm	Slide Travel mm	Loading Capacity kg	Quantity in box set	A	B	C	D	E	F	G	H	I	J
11641151000	11641451000	250	254	25	12	-	-	-	-	160	171,5	128	-	-	-
11641152000	11641452000	300	295	25	12	96	-	-	-	224	270,5	128	224	-	-
11641153000	11641453000	350	354	25	12	96	-	-	-	256	302,5	128	224	-	-
11641154000	11641454000	400	404	25	12	96	-	-	256	320	331,5	128	224	-	-
11641155000	11641455000	450	447	25	12	96	-	-	256	379	390,5	128	224	-	288
11641156000	11641456000	500	503	25	12	96	192	-	288	384	395,5	128	224	-	352
11641157000	11641457000	550	554	25	12	96	192	-	384	448	459,5	128	224	-	416
11641158000	11641458000	600	610	25	12	96	192	-	384	498	509,5	128	224	352	508
11641159000	11641459000	650	660	25	12	96	192	-	384	548	559,5	128	224	416	558
11641160000	11641460000	700	710	25	12	96	192	288	384	598	609,5	128	224	416	608

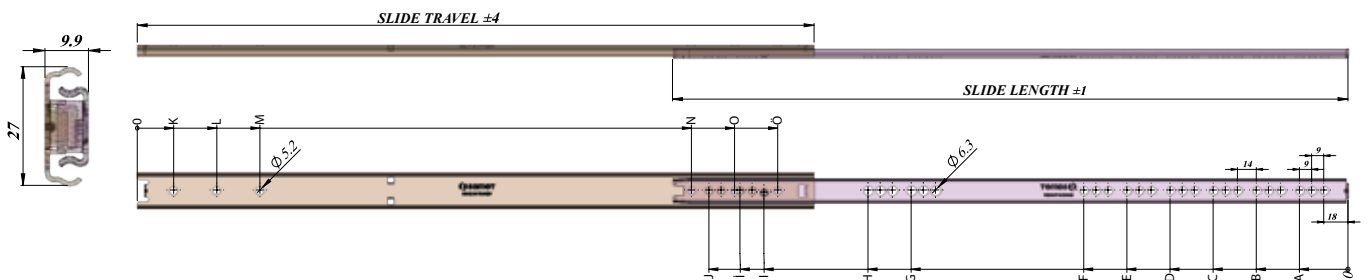


- Engineered movement technology ensures smooth running performance
- High tolerance values for easy- assembly
- High rigidity & robust structure with high-quality balls & profiles
- Drawer Lengths: 310 – 502 mm
- 15 kg loading capacity



CIW : Cabinet Inner Width
 DD : Cabinet Depth
 DW : Drawer Width
 NL : Nominal Length

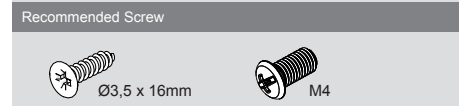
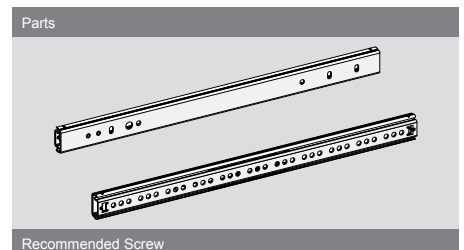
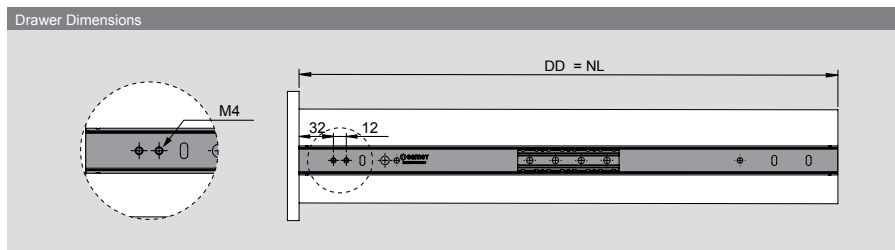
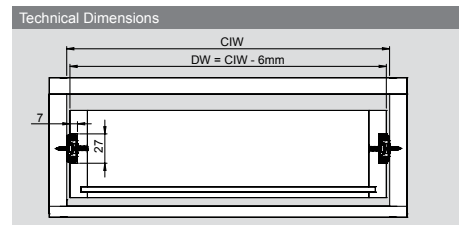
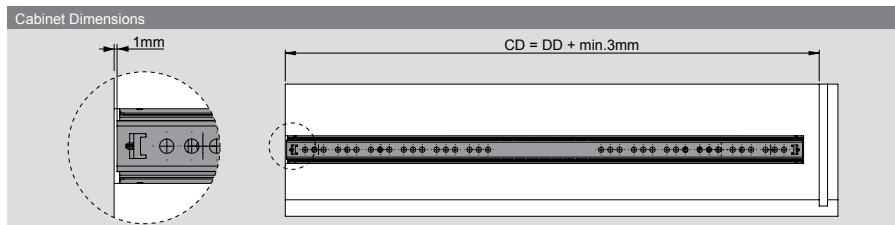
Recommended Screw



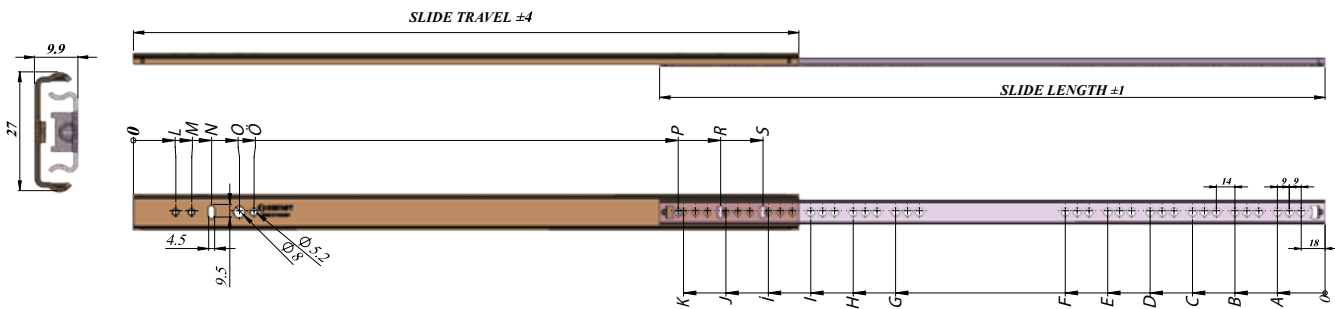
Code Clear Zinc	Code Galvanized	Slide Length mm	Slide Travel mm	Loading Capacity kg	Quantity in box set	Hole Positions mm																
						A	B	C	D	E	F	G	H	I	i	J	K	L	M	N	O	Ö
11621105000	11621405000	310	309	15	24	36	68	100	132	164	-	-	241,2	259	282	27	59	91	219	251	283	
11621106000	11621406000	342	341	15	24	36	68	100	132	164	196	-	-	273,2	291	314	27	59	91	251	283	315
11621107000	11621407000	374	373	15	24	36	68	100	132	164	196	228	-	305,2	323	346	27	59	91	283	315	347
11621108000	11621408000	406	405	15	24	36	68	100	132	164	196	228	260	337,2	355	378	27	59	91	315	347	379
11621109000	11621409000	438	437	15	24	36	68	100	132	164	196	260	292	369,2	387	410	27	59	91	347	379	411
11621110000	11621410000	502	501	15	24	36	68	100	132	164	196	324	356	433,2	451	474	27	59	91	411	443	475



- Engineered movement technology ensures smooth running performance
- High tolerance values for easy- assembly
- High rigidity & robust structure with high-quality balls & profiles
- Drawer Lengths: 214 – 502 mm
- 15 kg loading capacity



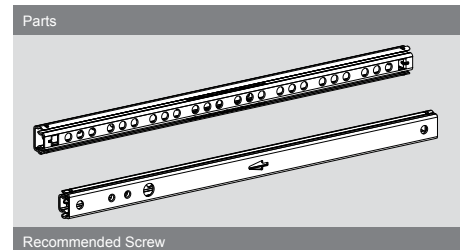
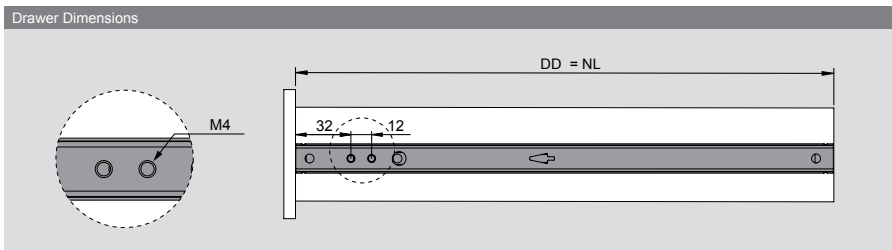
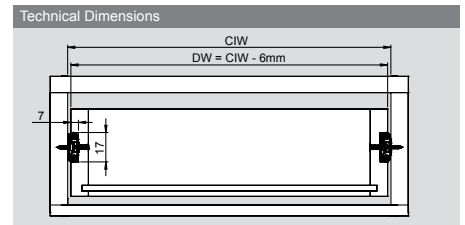
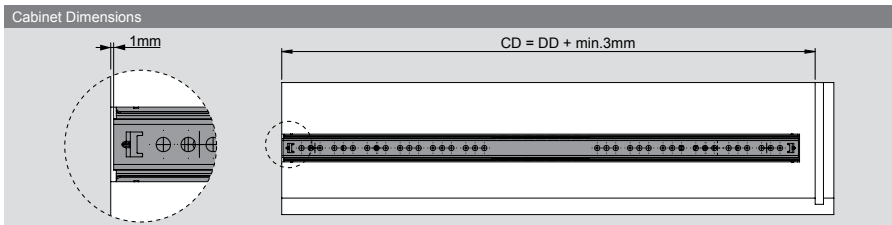
CIW : Cabinet Inner Width
 DW : Drawer Width
 CD : Cabinet Depth
 DD : Drawer Depth
 NL : Nominal Length



Code Clear Zinc	Code Galvanized	Slide Length mm	Slide Travel mm	Loading Capacity kg	Quantity in box set	Hole Positions mm																			
						A	B	C	D	E	F	G	H	I	i	J	K	L	M	N	O	Ö	P	R	S
11611102000	11611402000	214	214	15	24	36	68	100	132	164	196	-	-	-	-	-	-	32	44	59	80	91	123	155	187
11611103000	11611403000	246	246	15	24	36	68	100	132	164	196	228	-	-	-	-	-	32	44	59	80	91	155	187	219
11611104000	11611404000	278	278	15	24	36	68	100	132	164	196	228	260	-	-	-	-	32	44	59	80	91	187	219	251
11611105000	11611405000	310	310	15	24	36	68	100	132	164	196	228	260	292	-	-	-	32	44	59	80	91	219	251	283
11611106000	11611406000	342	342	15	24	36	68	100	132	164	196	228	260	292	324	-	-	32	44	59	80	91	251	283	315
11611107000	11611407000	374	374	15	24	36	68	100	132	164	196	228	260	292	324	356	-	32	44	59	80	91	283	315	347
11611108000	11611408000	406	406	15	24	36	68	100	132	164	196	228	260	292	324	356	388	32	44	59	80	91	315	347	379
11611109000	11611409000	438	438	15	24	36	68	100	132	164	196	260	292	324	356	388	420	32	44	59	80	91	347	379	411
11611110000	11611410000	502	502	15	24	36	68	100	132	164	196	324	356	388	420	452	484	32	44	59	80	91	411	443	475



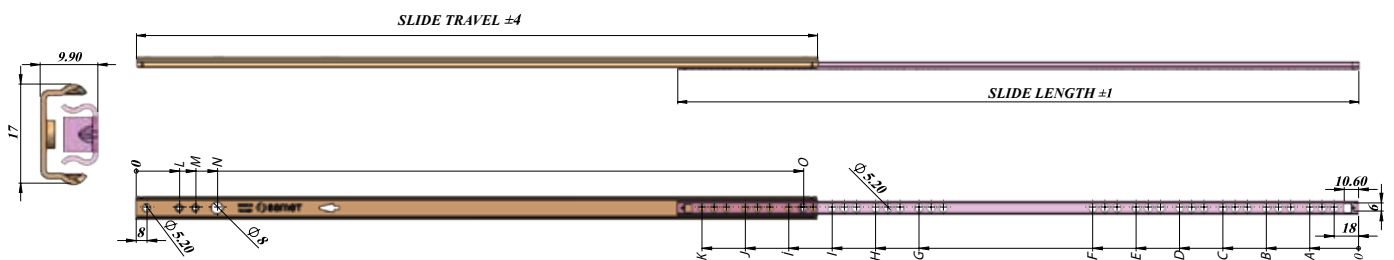
- Engineered movement technology ensures smooth running performance
- High tolerance values for easy- assembly
- High rigidity & robust structure with high-quality balls & profiles
- Drawer Lengths: 185 – 502 mm
- 10 kg loading capacity



CIW : Cabinet Inner Width
DW : Drawer Width

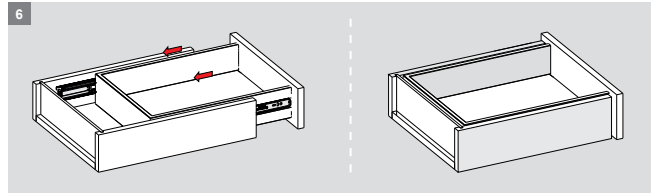
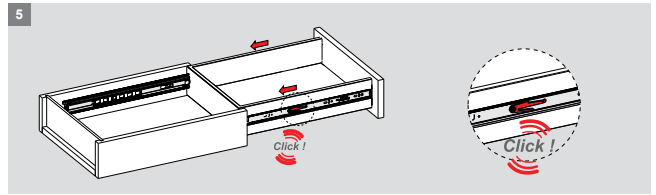
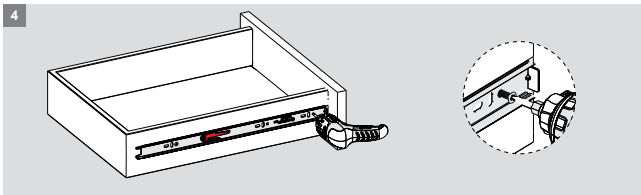
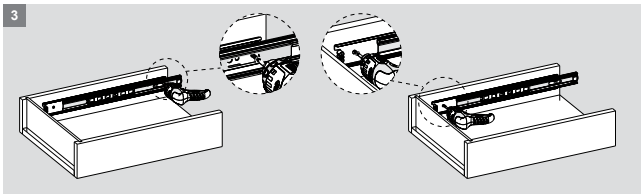
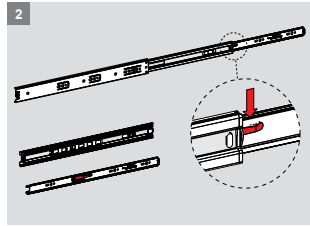
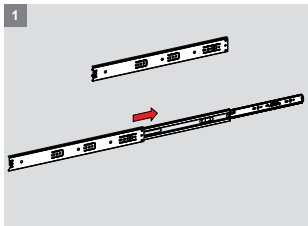
CD : Cabinet Depth
DD : Drawer Depth

NL : Nominal Length

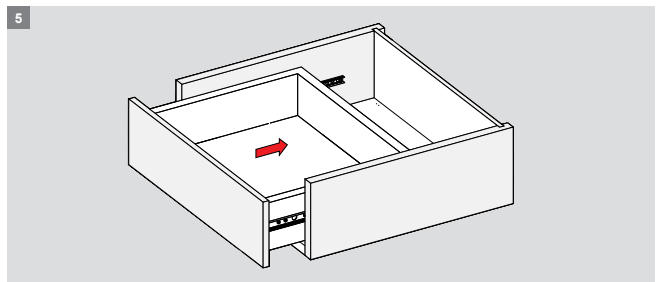
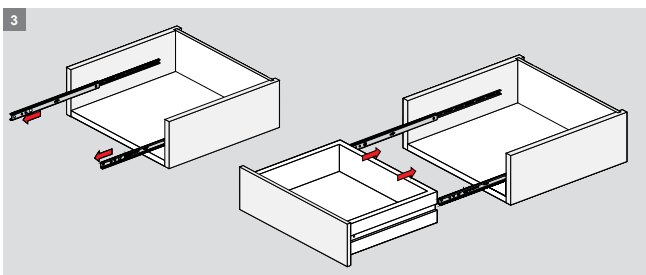
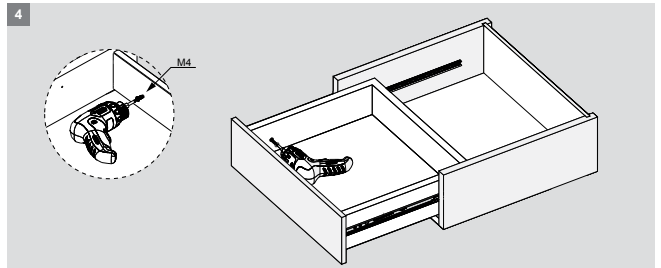
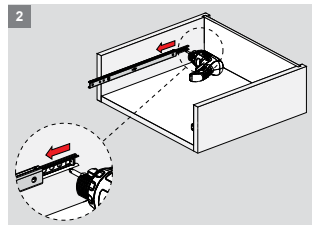
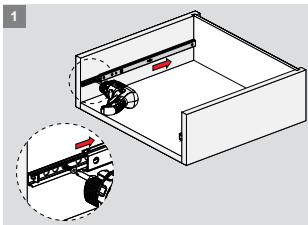


Code Galvanized	Slide Length mm	Slide Travel mm	Loading Capacity kg	Quantity in box set	Hole Positions mm																
					A	B	C	D	E	F	G	H	I	i	J	K	L	M	N	O	
11601401000	185	182	10	50	36	68	100	132	164	-	-	-	-	-	-	32	44	60	175		
11601402000	214	214	10	50	36	68	100	132	164	196	-	-	-	-	-	32	44	60	204		
11601403000	246	246	10	50	36	68	100	132	164	196	228	-	-	-	-	32	44	60	236		
11601404000	278	278	10	50	36	68	100	132	164	196	228	260	-	-	-	32	44	60	268		
11601405000	310	310	10	50	36	68	100	132	164	196	228	260	292	-	-	32	44	60	300		
11601406000	342	342	10	50	36	68	100	132	164	196	228	260	292	324	-	32	44	60	332		
11601407000	374	374	10	50	36	68	100	132	164	196	228	260	292	324	356	-	32	44	60	364	
11601408000	406	406	10	50	36	68	100	132	164	196	228	260	292	324	356	388	32	44	60	396	
11601409000	438	438	10	50	36	68	100	132	164	196	260	292	324	356	388	420	32	44	60	428	
11601410000	502	502	10	50	36	68	100	132	164	196	324	356	388	420	452	484	32	44	60	492	

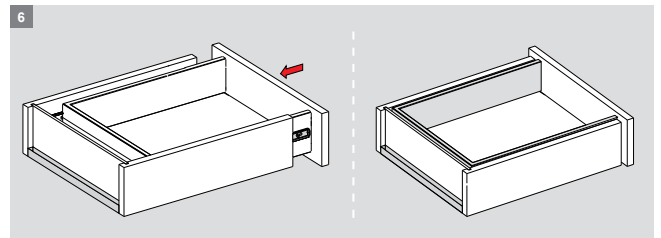
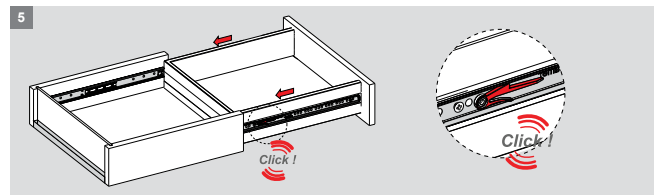
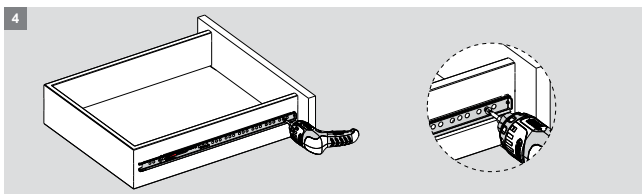
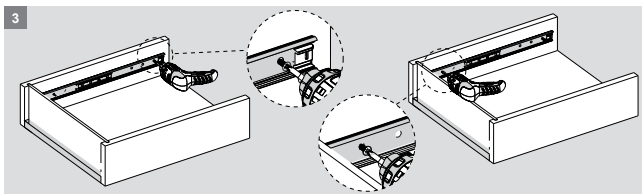
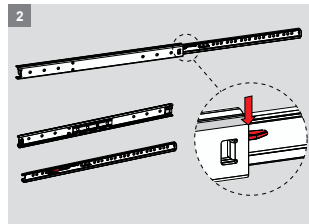
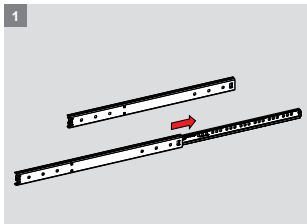
FULL EXTENSION SLIDE ASSEMBLY



SINGLE EXTENSION SLIDE ASSEMBLY



SINGLE EXTENSION LATCHED SLIDE ASSEMBLY

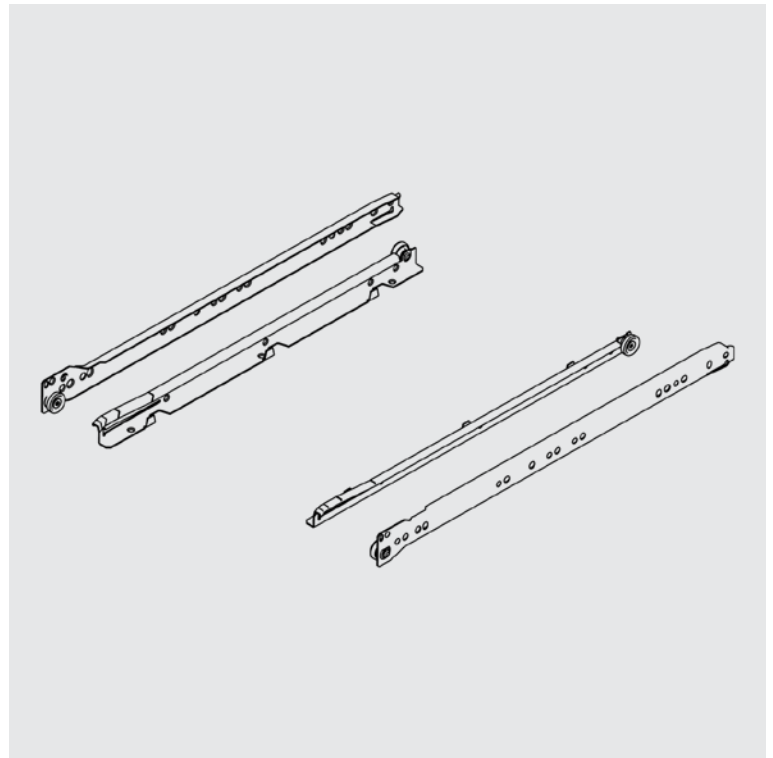


KLASIK Epoxy Roller

Keyboard Slide

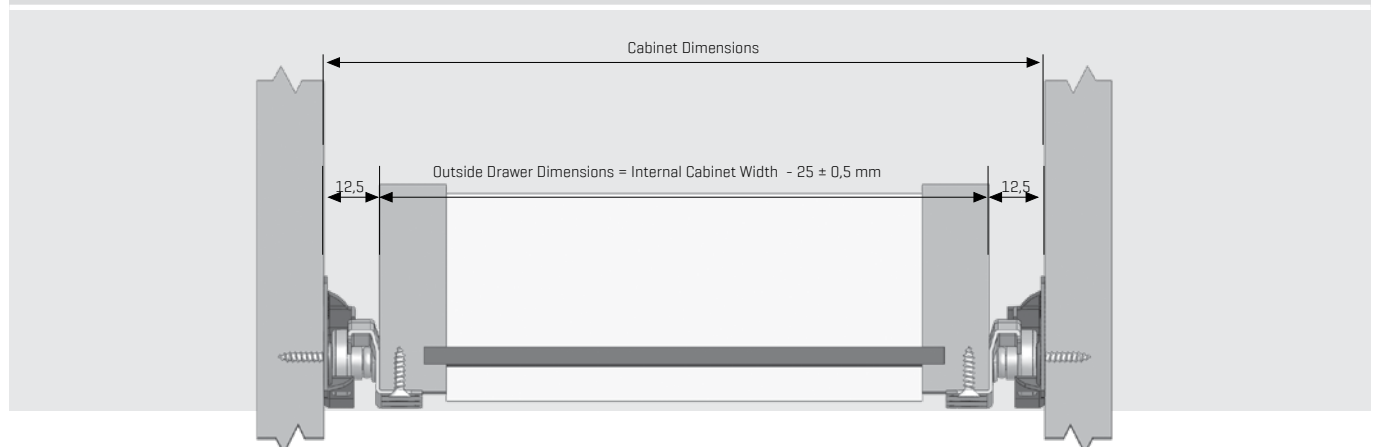


- Self closing system
- 350 mm
- Finish: Electrostatic white
- Unique silently running wheel system
- The improved stability guarantees a long product durability
- Dynamic load capacity: 15 kg
- Safety system to avoid derailing



1		Drawer Set				
NOMINAL SIZE	CODE	PACKING TYPE	COLOR	PACKING		
350 mm	112258	Banded	White	10 Set/Crt.		

Slide Mounting Dimensions



*All dimensions in the graphs above are measured in mm.

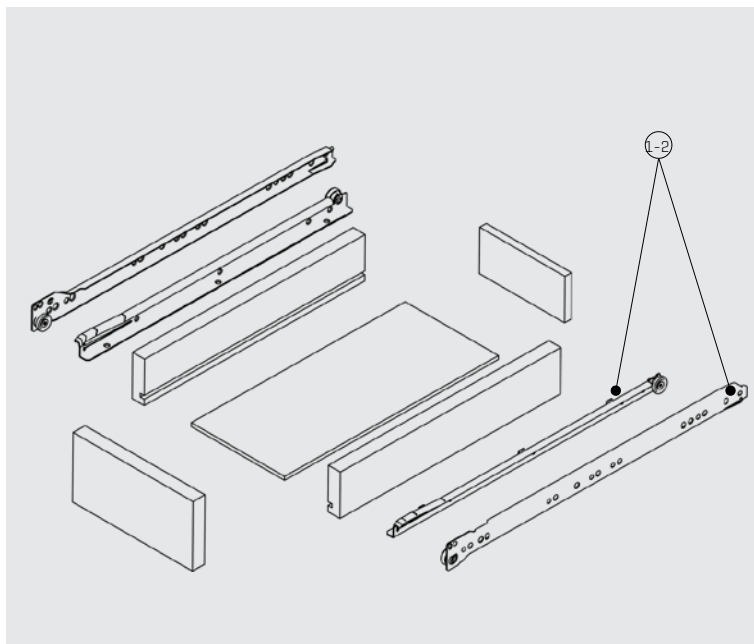
Recommended Screws

Ø3,5x16 mm Chipboard Screw



Ø6,1x11,5 mm Euro Screw





- Self closing system
- Drawer Length: 250/300/350/400/450/500/550 mm
- Finish: Electrostatic (White, Cream, Metallic and Grey)
- Unique silently running wheel system
- The improved stability guarantees a long product durability
- Dynamic load capacity: 25 kg
- Safety system to avoid derailing

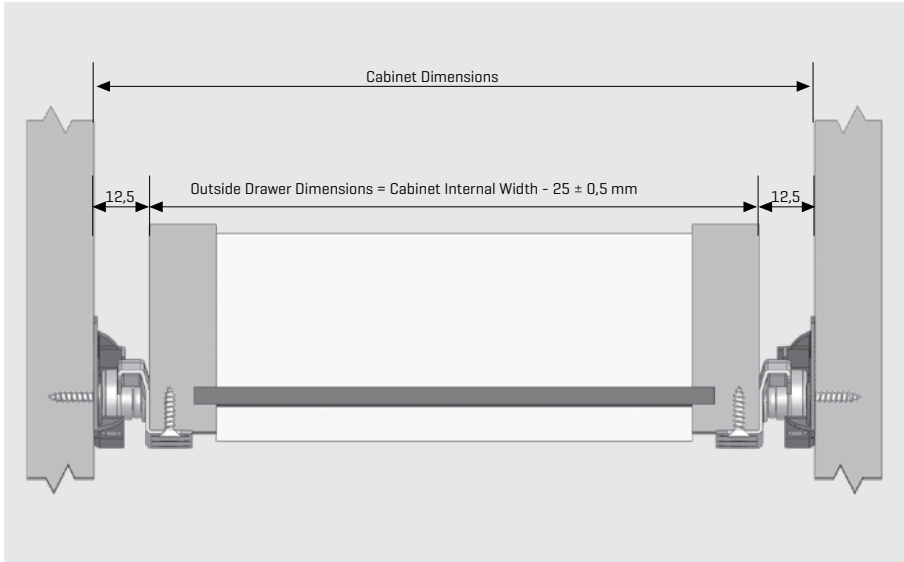
1-2		Banded
-----	--	--------

CODE	DEFINITION	PACKING
11201170	250 mm Epoxy Roller Slides White	40 Set/Crt
11201270	300 mm Epoxy Roller Slides White	40 Set/Crt
11201370	350 mm Epoxy Roller Slides White	40 Set/Crt
11201470	400 mm Epoxy Roller Slides White	40 Set/Crt
11201570	450 mm Epoxy Roller Slides White	40 Set/Crt
11201670	500 mm Epoxy Roller Slides White	40 Set/Crt
11201770	550 mm Epoxy Roller Slides White	40 Set/Crt
112900	600 mm Epoxy Roller Slides White	25 Set/Crt
11204170	250 mm Epoxy Roller Slides Brown	40 Set/Crt
11204270	300 mm Epoxy Roller Slides Brown	40 Set/Crt
11204370	350 mm Epoxy Roller Slides Brown	40 Set/Crt
11204470	400 mm Epoxy Roller Slides Brown	40 Set/Crt
11204570	450 mm Epoxy Roller Slides Brown	40 Set/Crt
11204670	500 mm Epoxy Roller Slides Brown	40 Set/Crt
11204770	550 mm Epoxy Roller Slides Brown	40 Set/Crt
112910	600 mm Epoxy Roller Slides Brown	25 Set/Crt
11205170	250 mm Epoxy Roller Slides Black	40 Set/Crt
11205270	300 mm Epoxy Roller Slides Black	40 Set/Crt
11205370	350 mm Epoxy Roller Slides Black	40 Set/Crt
11205470	400 mm Epoxy Roller Slides Black	40 Set/Crt
11205570	450 mm Epoxy Roller Slides Black	40 Set/Crt
11205670	500 mm Epoxy Roller Slides Black	40 Set/Crt
11205770	550 mm Epoxy Roller Slides Black	40 Set/Crt
112920	600 mm Epoxy Roller Slides Black	25 Set/Crt
11203170	250 mm Epoxy Roller Slides M. Grey	40 Set/Crt
11203270	300 mm Epoxy Roller Slides M. Grey	40 Set/Crt
11203370	350 mm Epoxy Roller Slides M. Grey	40 Set/Crt
11203470	400 mm Epoxy Roller Slides M. Grey	40 Set/Crt
11203570	450 mm Epoxy Roller Slides M. Grey	40 Set/Crt
11203670	500 mm Epoxy Roller Slides M. Grey	40 Set/Crt
11203770	550 mm Epoxy Roller Slides M. Grey	40 Set/Crt
11202170	250 mm Epoxy Roller Slides Cream	40 Set/Crt
11202270	300 mm Epoxy Roller Slides Cream	40 Set/Crt
11202370	350 mm Epoxy Roller Slides Cream	40 Set/Crt
11202470	400 mm Epoxy Roller Slides Cream	40 Set/Crt
11202570	450 mm Epoxy Roller Slides Cream	40 Set/Crt
11202670	500 mm Epoxy Roller Slides Cream	40 Set/Crt
11202770	550 mm Epoxy Roller Slides Cream	40 Set/Crt

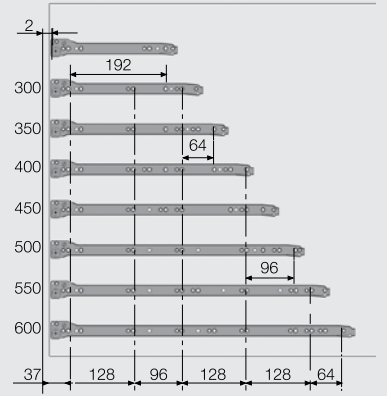
1-2		Industrial
-----	--	------------

CODE	DEFINITION	PACKING
112501	250 mm Epoxy Roller Slides C-R White	100 Pcs/Crt
112502	250 mm Epoxy Roller Slides C-L White	100 Pcs/Crt
112503	250 mm Epoxy Roller Slides D-R White	100 Pcs/Crt
112504	250 mm Epoxy Roller Slides D-L White	100 Pcs/Crt
112505	300 mm Epoxy Roller Slides C-R White	100 Pcs/Crt
112506	300 mm Epoxy Roller Slides C-L White	100 Pcs/Crt
112507	300 mm Epoxy Roller Slides D-R White	100 Pcs/Crt
112508	300 mm Epoxy Roller Slides D-L White	100 Pcs/Crt
112509	350 mm Epoxy Roller Slides C-R White	100 Pcs/Crt
112510	350 mm Epoxy Roller Slides C-L White	100 Pcs/Crt
112511	350 mm Epoxy Roller Slides D-R White	100 Pcs/Crt
112512	350 mm Epoxy Roller Slides D-L White	100 Pcs/Crt
112513	400 mm Epoxy Roller Slides C-R White	100 Pcs/Crt
112514	400 mm Epoxy Roller Slides C-L White	100 Pcs/Crt
112515	400 mm Epoxy Roller Slides D-R White	100 Pcs/Crt
112516	400 mm Epoxy Roller Slides D-L White	100 Pcs/Crt
112517	450 mm Epoxy Roller Slides C-R White	100 Pcs/Crt
112518	450 mm Epoxy Roller Slides C-L White	100 Pcs/Crt
112519	450 mm Epoxy Roller Slides D-R White	100 Pcs/Crt
112520	450 mm Epoxy Roller Slides D-L White	100 Pcs/Crt
112521	500 mm Epoxy Roller Slides C-R White	100 Pcs/Crt
112522	500 mm Epoxy Roller Slides C-L White	100 Pcs/Crt
112523	500 mm Epoxy Roller Slides D-R White	100 Pcs/Crt
112524	500 mm Epoxy Roller Slides D-L White	100 Pcs/Crt
112525	550 mm Epoxy Roller Slides C-R White	100 Pcs/Crt
112526	550 mm Epoxy Roller Slides C-L White	100 Pcs/Crt
112527	550 mm Epoxy Roller Slides D-R White	100 Pcs/Crt
112528	550 mm Epoxy Roller Slides D-L White	100 Pcs/Crt
112551	250 mm Epoxy Roller Slides C-R Brown	100 Pcs/Crt
112552	250 mm Epoxy Roller Slides C-L Brown	100 Pcs/Crt
112553	250 mm Epoxy Roller Slides D-R Brown	100 Pcs/Crt
112554	250 mm Epoxy Roller Slides D-L Brown	100 Pcs/Crt
112555	300 mm Epoxy Roller Slides C-R Brown	100 Pcs/Crt
112556	300 mm Epoxy Roller Slides C-L Brown	100 Pcs/Crt
112557	300 mm Epoxy Roller Slides D-R Brown	100 Pcs/Crt
112558	300 mm Epoxy Roller Slides D-L Brown	100 Pcs/Crt
112559	350 mm Epoxy Roller Slides C-R Brown	100 Pcs/Crt
112560	350 mm Epoxy Roller Slides C-L Brown	100 Pcs/Crt
112561	350 mm Epoxy Roller Slides D-R Brown	100 Pcs/Crt
112562	350 mm Epoxy Roller Slides D-L Brown	100 Pcs/Crt
112563	400 mm Epoxy Roller Slides C-R Brown	100 Pcs/Crt
112564	400 mm Epoxy Roller Slides C-L Brown	100 Pcs/Crt
112565	400 mm Epoxy Roller Slides D-R Brown	100 Pcs/Crt
112566	400 mm Epoxy Roller Slides D-L Brown	100 Pcs/Crt

Slide Mounting Dimensions



Slide Screw Location



1-2 Industrial

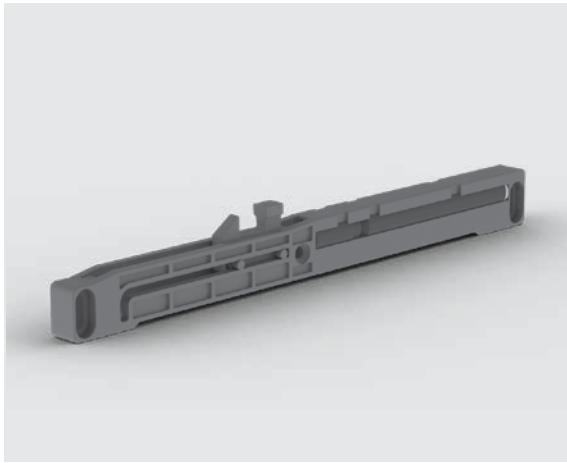
CODE	DEFINITION	PACKING
112567	450 mm Epoxy Roller Slides C-R Brown	100 Pcs/Crt
112568	450 mm Epoxy Roller Slides C-L Brown	100 Pcs/Crt
112569	450 mm Epoxy Roller Slides D-R Brown	100 Pcs/Crt
112570	450 mm Epoxy Roller Slides D-L Brown	100 Pcs/Crt
112571	500 mm Epoxy Roller Slides C-R Brown	100 Pcs/Crt
112572	500 mm Epoxy Roller Slides C-L Brown	100 Pcs/Crt
112573	500 mm Epoxy Roller Slides D-R Brown	100 Pcs/Crt
112574	500 mm Epoxy Roller Slides D-L Brown	100 Pcs/Crt
112575	550 mm Epoxy Roller Slides C-R Brown	100 Pcs/Crt
112576	550 mm Epoxy Roller Slides C-L Brown	100 Pcs/Crt
112577	550 mm Epoxy Roller Slides D-R Brown	100 Pcs/Crt
112578	550 mm Epoxy Roller Slides D-L Brown	100 Pcs/Crt
112601	250 mm Epoxy Roller Slides C-R Black	100 Pcs/Crt
112602	250 mm Epoxy Roller Slides C-L Black	100 Pcs/Crt
112603	250 mm Epoxy Roller Slides D-R Black	100 Pcs/Crt
112604	250 mm Epoxy Roller Slides D-L Black	100 Pcs/Crt
112605	300 mm Epoxy Roller Slides C-R Black	100 Pcs/Crt
112606	300 mm Epoxy Roller Slides C-L Black	100 Pcs/Crt
112607	300 mm Epoxy Roller Slides D-R Black	100 Pcs/Crt
112608	300 mm Epoxy Roller Slides D-L Black	100 Pcs/Crt
112609	350 mm Epoxy Roller Slides C-R Black	100 Pcs/Crt
112610	350 mm Epoxy Roller Slides C-L Black	100 Pcs/Crt
112611	350 mm Epoxy Roller Slides D-R Black	100 Pcs/Crt
112612	350 mm Epoxy Roller Slides D-L Black	100 Pcs/Crt
112613	400 mm Epoxy Roller Slides C-R Black	100 Pcs/Crt
112614	400 mm Epoxy Roller Slides C-L Black	100 Pcs/Crt
112615	400 mm Epoxy Roller Slides D-R Black	100 Pcs/Crt
112616	400 mm Epoxy Roller Slides D-L Black	100 Pcs/Crt
112617	450 mm Epoxy Roller Slides C-R Black	100 Pcs/Crt
112618	450 mm Epoxy Roller Slides C-L Black	100 Pcs/Crt
112619	450 mm Epoxy Roller Slides D-R Black	100 Pcs/Crt
112620	450 mm Epoxy Roller Slides D-L Black	100 Pcs/Crt
112621	500 mm Epoxy Roller Slides C-R Black	100 Pcs/Crt
112622	500 mm Epoxy Roller Slides C-L Black	100 Pcs/Crt
112623	500 mm Epoxy Roller Slides D-R Black	100 Pcs/Crt
112624	500 mm Epoxy Roller Slides D-L Black	100 Pcs/Crt
112625	550 mm Epoxy Roller Slides C-R Black	100 Pcs/Crt
112626	550 mm Epoxy Roller Slides C-L Black	100 Pcs/Crt
112627	550 mm Epoxy Roller Slides D-R Black	100 Pcs/Crt
112628	550 mm Epoxy Roller Slides D-L Black	100 Pcs/Crt
112437	250 mm Epoxy Roller Slides C-R M. Grey	100 Pcs/Crt
112438	250 mm Epoxy Roller Slides C-L M. Grey	100 Pcs/Crt
112439	250 mm Epoxy Roller Slides D-R M. Grey	100 Pcs/Crt
112440	250 mm Epoxy Roller Slides D-L M. Grey	100 Pcs/Crt

1-2 Industrial

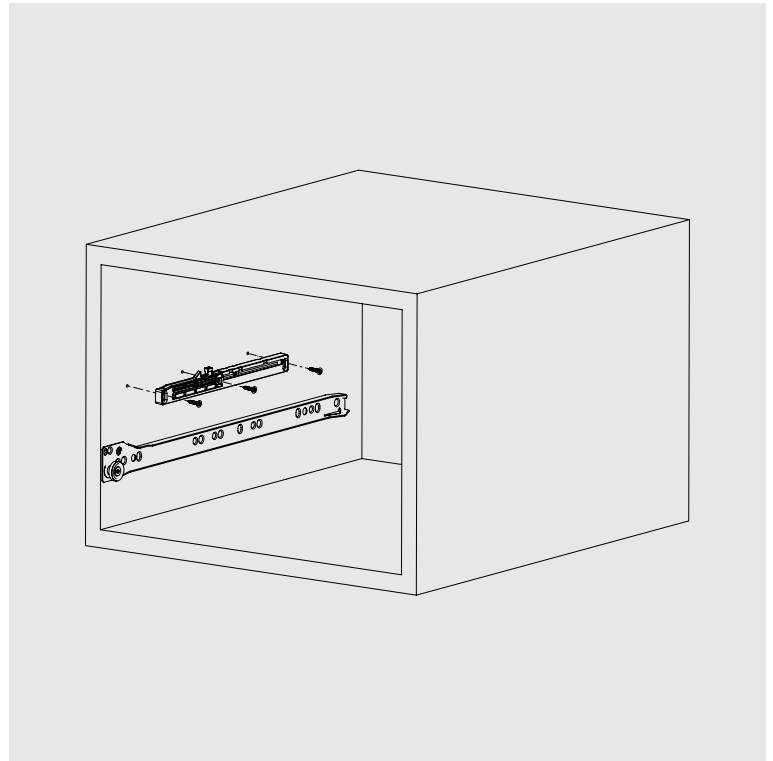
CODE	DEFINITION	PACKING
112441	300 mm Epoxy Roller Slides C-R M. Grey	100 Pcs/Crt
112442	300 mm Epoxy Roller Slides C-L M. Grey	100 Pcs/Crt
112443	300 mm Epoxy Roller Slides D-R M. Grey	100 Pcs/Crt
112444	300 mm Epoxy Roller Slides D-L M. Grey	100 Pcs/Crt
112445	350 mm Epoxy Roller Slides C-R M. Grey	100 Pcs/Crt
112446	350 mm Epoxy Roller Slides C-L M. Grey	100 Pcs/Crt
112447	350 mm Epoxy Roller Slides D-R M. Grey	100 Pcs/Crt
112448	350 mm Epoxy Roller Slides D-L M. Grey	100 Pcs/Crt
112449	400 mm Epoxy Roller Slides C-R M. Grey	100 Pcs/Crt
112450	400 mm Epoxy Roller Slides C-L M. Grey	100 Pcs/Crt
112451	400 mm Epoxy Roller Slides D-R M. Grey	100 Pcs/Crt
112452	400 mm Epoxy Roller Slides D-L M. Grey	100 Pcs/Crt
112453	450 mm Epoxy Roller Slides C-R M. Grey	100 Pcs/Crt
112454	450 mm Epoxy Roller Slides C-L M. Grey	100 Pcs/Crt
112455	450 mm Epoxy Roller Slides D-R M. Grey	100 Pcs/Crt
112456	450 mm Epoxy Roller Slides D-L M. Grey	100 Pcs/Crt
112457	500 mm Epoxy Roller Slides C-R M. Grey	100 Pcs/Crt
112458	500 mm Epoxy Roller Slides C-L M. Grey	100 Pcs/Crt
112459	500 mm Epoxy Roller Slides D-R M. Grey	100 Pcs/Crt
112460	500 mm Epoxy Roller Slides D-L M. Grey	100 Pcs/Crt
112461	550 mm Epoxy Roller Slides C-R M. Grey	100 Pcs/Crt
112462	550 mm Epoxy Roller Slides C-L M. Grey	100 Pcs/Crt
112463	550 mm Epoxy Roller Slides D-R M. Grey	100 Pcs/Crt
112464	550 mm Epoxy Roller Slides D-L M. Grey	100 Pcs/Crt

Bottom Mounting Drawer Slide Soft Close Mechanism

samet



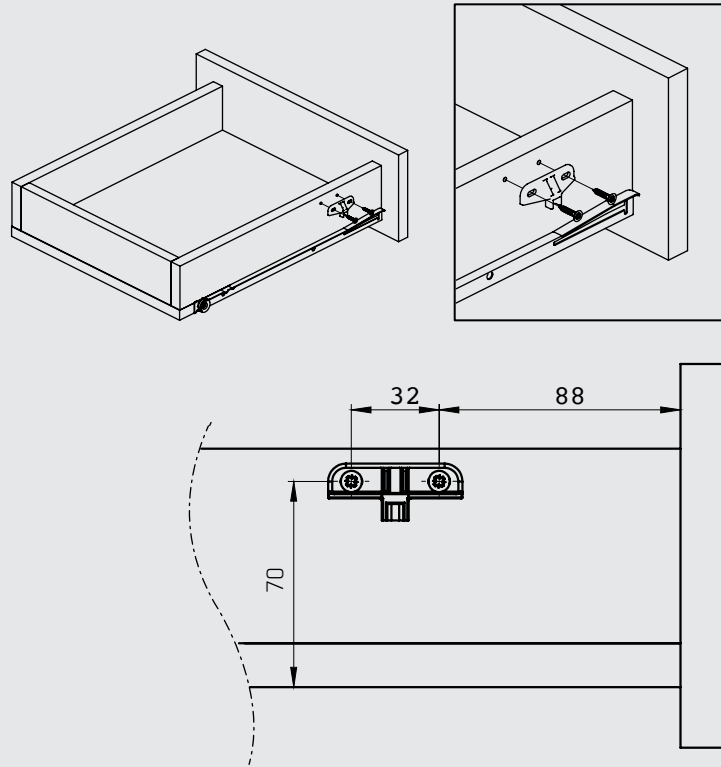
- It is used to add soft closing function to Sam Box drawers.
- Same product can be used at right and left sides.
- It is advised to use two products for each drawer.



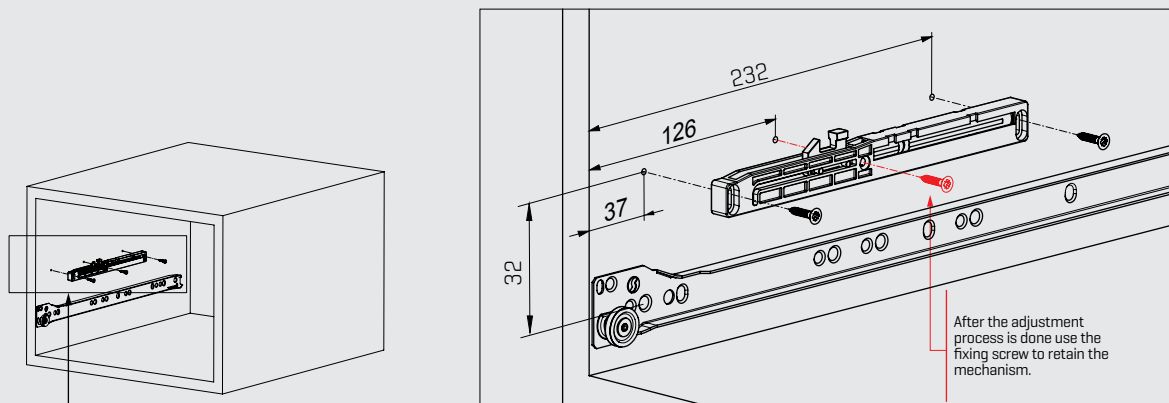
Soft Close Mechanism

CODE	PACKING
1121805	20 Pcs

Drive Part Assembly

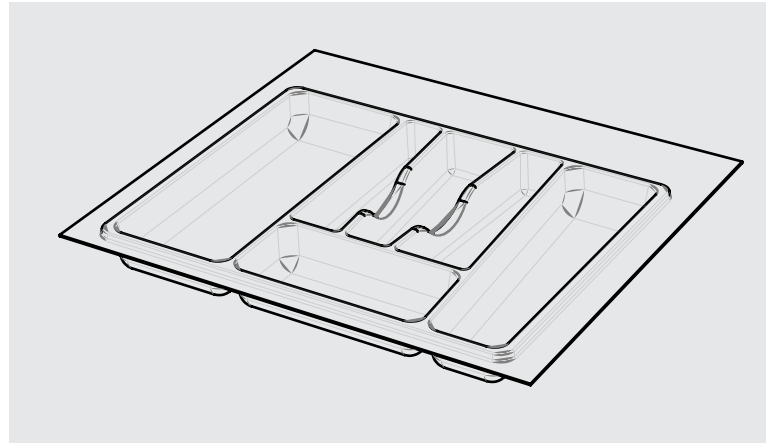


Soft Close Mechanism Assembly



*All dimensions in the graphs above are measured in mm

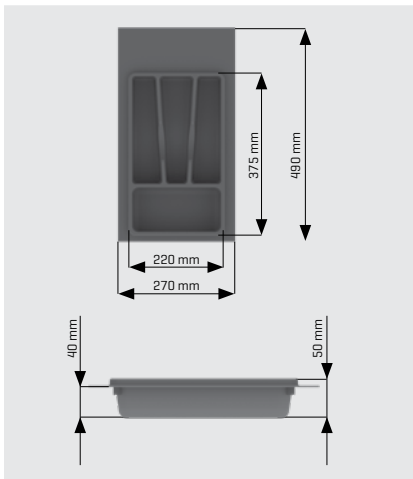
Plastic Cutlery



- Different size options.
- Changeable width and length measurement by cuttable edge material.
- White and grey color options.

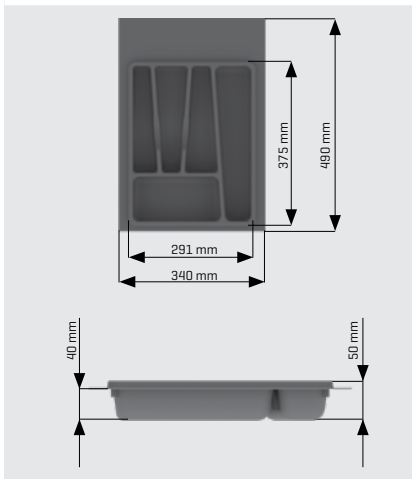
Cutlery 270x490 mm

COLOUR	CODE	PACKING
White	11410011	1 Pcs
M. Grey	11410013	1 Pcs



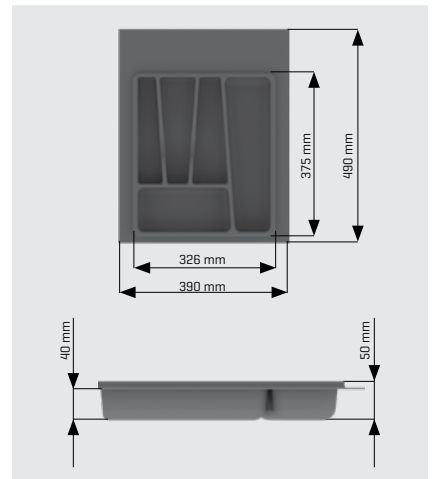
Cutlery 340x490 mm

COLOUR	CODE	PACKING
White	11410021	1 Pcs
M. Grey	11410023	1 Pcs



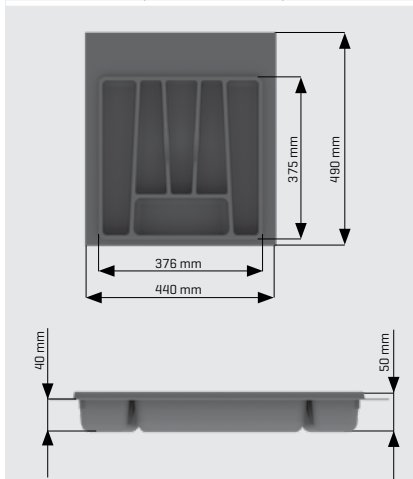
Cutlery 390x490 mm

COLOUR	CODE	PACKING
White	11410031	1 Pcs
M. Grey	11410033	1 Pcs



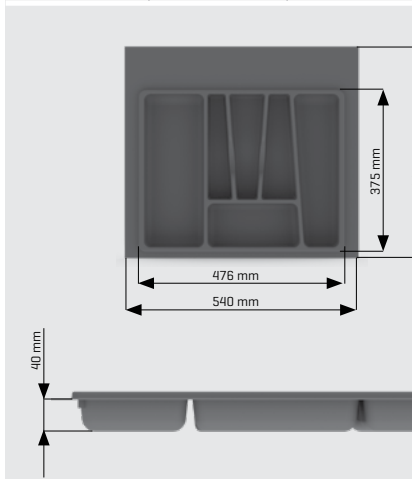
Cutlery 440x490 mm

COLOUR	CODE	PACKING
White	11410041	1 Pcs
M. Grey	11410043	1 Pcs



Cutlery 540x490 mm

COLOUR	CODE	PACKING
White	11410051	1 Pcs
M. Grey	11410053	1 Pcs

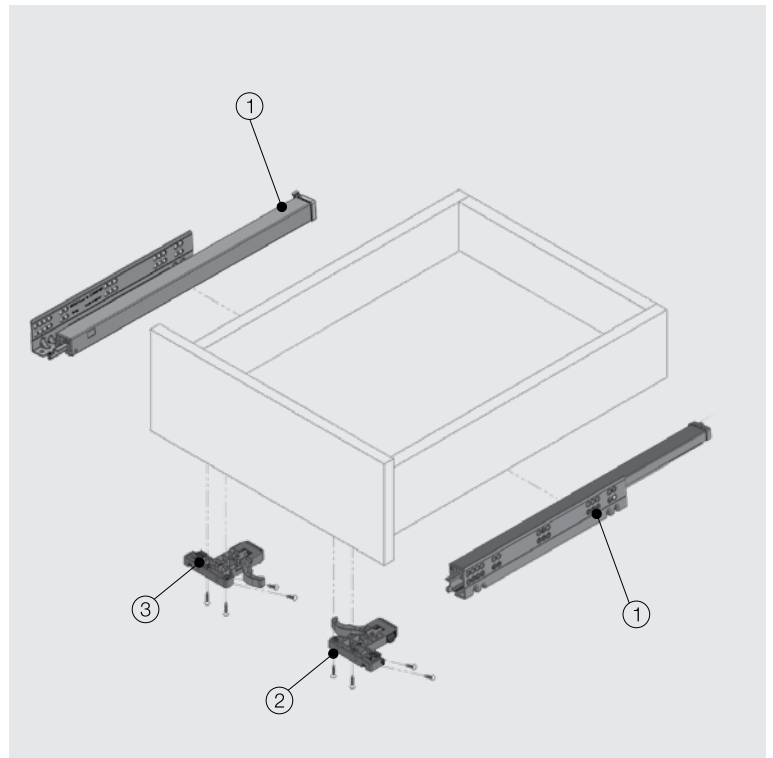


smart slide full

Full Extension Drawer Lock Fix



- Concealed, full extension slides for wooden drawers.
- Adaptive soft close system guarantees silent and gentle closing
- Easy removal and mounting permitted by SmartLock®
- The SmartLock® System provides a ±1,5 mm horizontal and +2 mm upwards adjustment opportunity.
- Maximum up to 19 mm wooden side application
- Drawer Length alternatives: 250/300/350/400/450/500/550/600 mm
- The improved stability guarantees a long product durability
- Same cabinet and drawer can be used with both Smart Slide® Full Extension® and Smart Slide Single Extension (without changing the SmartLock® System)

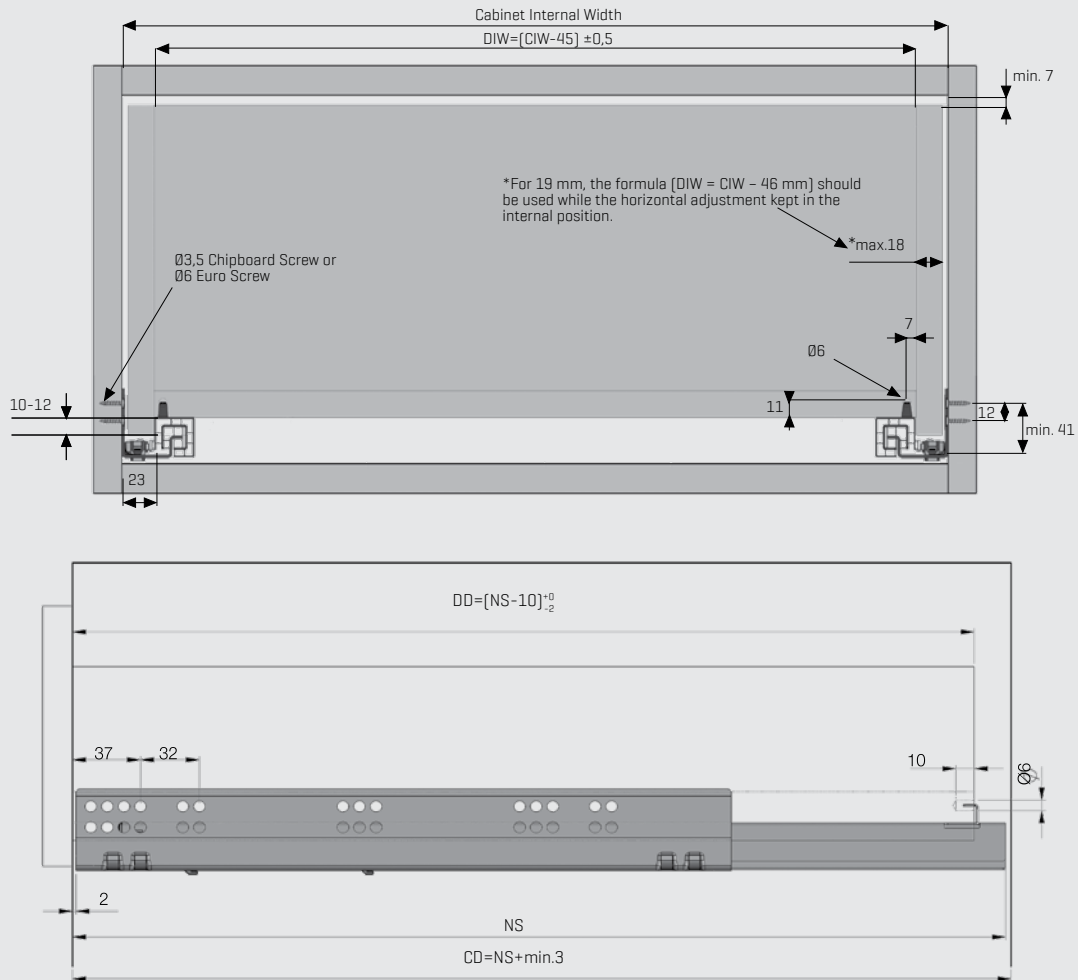


1		Smart Slide Drawer Slide Right-Left	
NOMINAL SIZE	CODE With Soft close	PACKING	
250 mm	127240231	6 Set	
300 mm	127240232	6 Set	
350 mm	127240233	6 Set	
400 mm	127240234	6 Set	
450 mm	127240235	6 Set	
500 mm	127240236	6 Set	
550 mm	127240237	6 Set	
600 mm	127240238	6 Set	

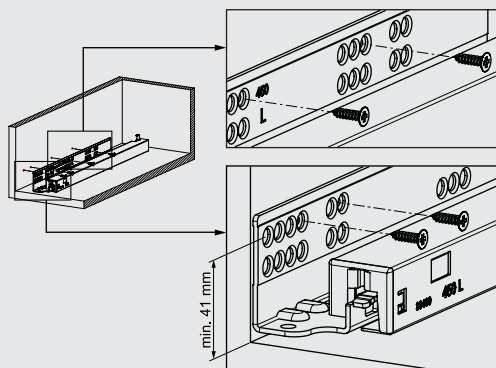
2-3		SmartLock® Right-Left	
CODE Right	CODE Left	PACKING	
12790773	12790774	120 Pcs	

Dynamic loading capacity: 40 kg

Drawer and Cabinet Dimensions



Screw Locations for Slides

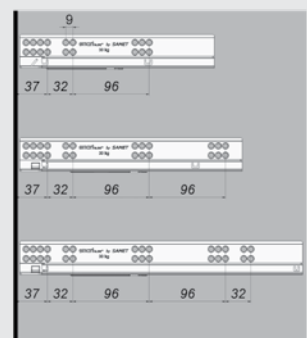


250-300 mm

350-400 mm

450-500

550-600 mm



Recommended Screws For Rail Assembly

Ø3,5x16 mm Chipboard Screw



Ø6,1x11,5 mm Euro Screw



- CD Cabinet Depth
- CIW Cabinet Internal Width
- NS Nominal Size
- DIW Drawer Internal Width
- DD Drawer Depth

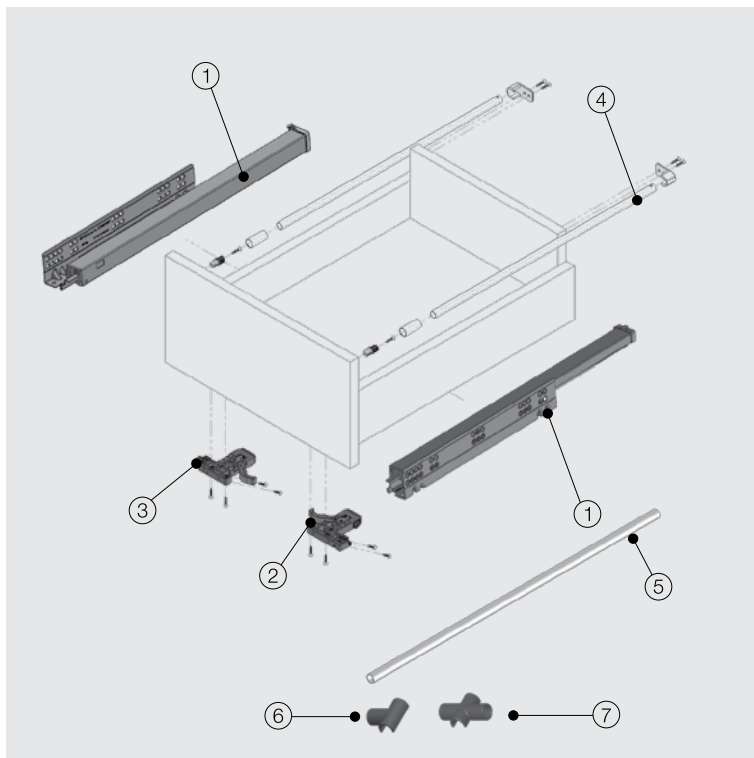
*All dimensions in the graphs above are measured in mm

smart slide full

Full Extension Drawer with Single Gallery Railing Lock Fix



- Concealed, full extension slides for wooden drawers.
- Adaptive soft close system guarantees silent and gentle closing
- Easy removal and mounting permitted by SmartLock®
- The SmartLock® System provides a ±1,5 mm horizontal and +2 mm upwards adjustment opportunity.
- Maximum up to 19 mm wooden side application
- Drawer Length alternatives: 250/300/350/400/450/500/550/600 mm
- The improved stability guarantees a long product durability
- Same cabinet and drawer can be used with both Smart Slide® Full Extension® and Smart Slide Single Extension (without changing the SmartLock® System)



1 Smart Slide Drawer Slide Right-Left

NOMINAL SIZE	CODE With Soft close	PACKING
250 mm	127240231	6 Set
300 mm	127240232	6 Set
350 mm	127240233	6 Set
400 mm	127240234	6 Set
450 mm	127240235	6 Set
500 mm	127240236	6 Set
550 mm	127240237	6 Set
600 mm	127240238	6 Set

4 Gallery Railings

CODE White	CODE Beige	CODE Grey	CODE Black	PACKING
127908111	127908112	127908113	127908114	20 Set
127908121	127908122	127908123	127908124	20 Set
127908131	127908132	127908133	127908134	20 Set
127908141	127908142	127908143	127908144	20 Set
127908151	127908152	127908153	127908154	20 Set
127908161	127908162	127908163	127908164	20 Set
127908171	127908172	127908173	127908174	20 Set
127908181	127908182	127908183	127908184	20 Set

2-3 SmartLock® Right-Left

CODE Right	CODE Left	PACKING
12790773	12790774	120 Pcs

5 Sam Box / Smart Slide Divider Bar [1104 mm]

COLOR	CODE	PACKING
White	1121981	10 Pcs/Crt.
Metallic Grey	1121983	10 Pcs/Crt.
Black	1121987	10 Pcs/Crt.

6 Sam Box / Smart Slide Single Divider Bar Holder

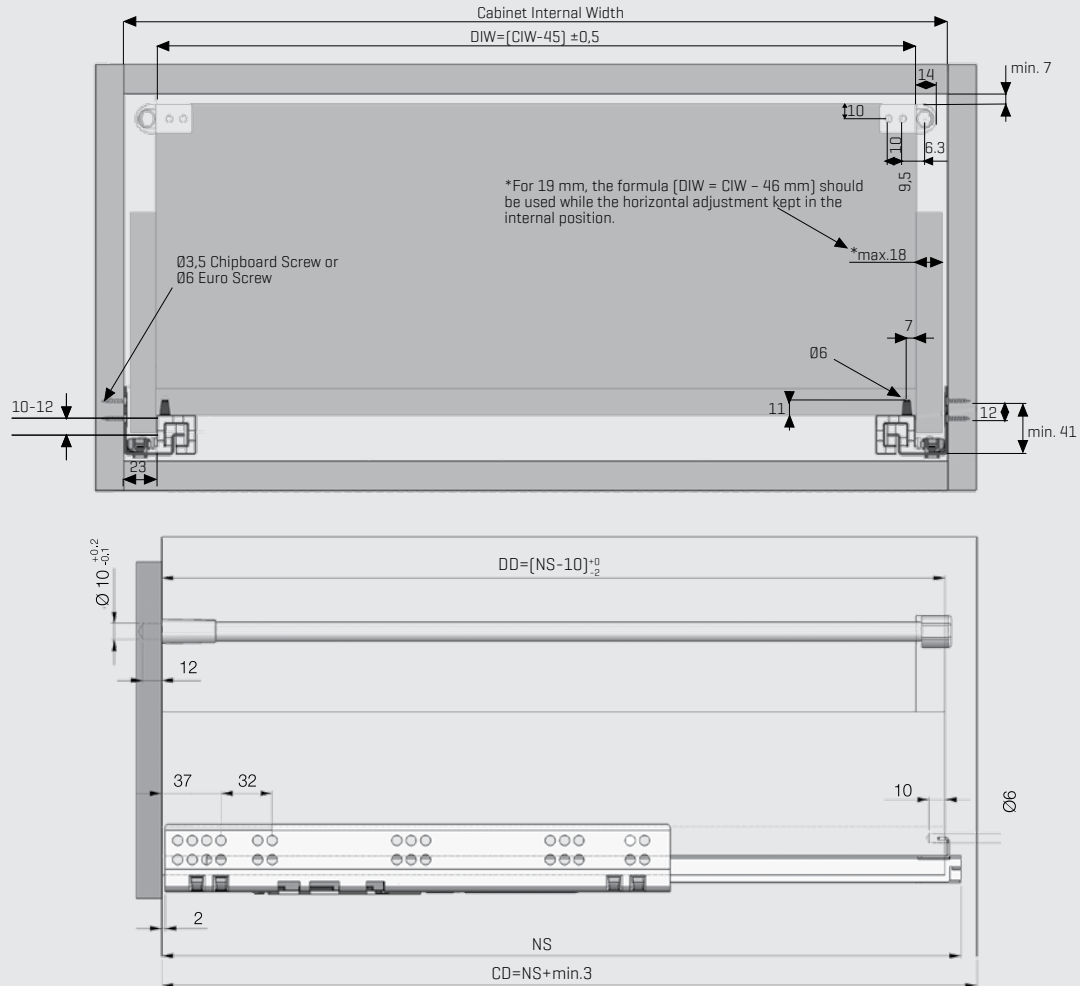
COLOR	CODE	PACKING
White	1121991	50 Pcs-Box/ 200 Pcs-Crt.
Grey	1121993	50 Pcs-Box/ 200 Pcs-Crt.
Black	1121997	50 Pcs-Box/ 200 Pcs-Crt.

7 Sam Box / Smart Slide Double Divider Bar Holder

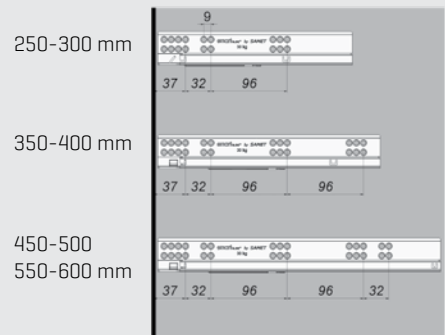
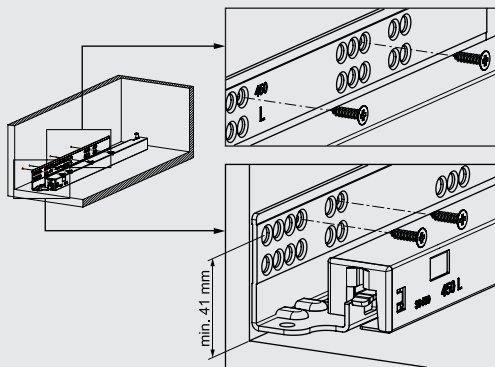
COLOR	CODE	PACKING
White	11219911	50 Pcs-Box/ 200 Pcs-Crt.
Grey	11219931	50 Pcs-Box/ 200 Pcs-Crt.
Black	11219971	50 Pcs-Box/ 200 Pcs-Crt.

Dynamic loading capacity: 40 kg

Drawer and Cabinet Dimensions



Screw Locations for Slides



- CD Cabinet Depth
- CIW Cabinet Internal Width
- NS Nominal Size
- DIW Drawer Internal Width
- DD Drawer Depth

*All dimensions in the graphs above are measured in mm

Recommended Screws For Rail Assembly

$\varnothing 3,5 \times 16$ mm Chipboard Screw



$\varnothing 6,1 \times 11,5$ mm Euro Screw

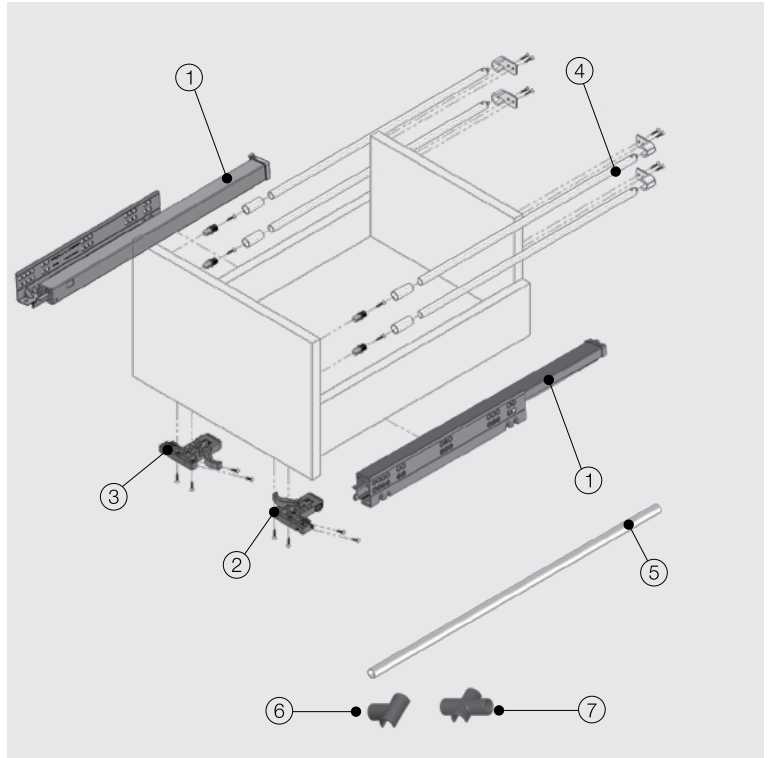


smart slide full

Full Extension Drawer with Double Gallery Railing Lock Fix



- Concealed, full extension slides for wooden drawers.
- Adaptive soft close system guarantees silent and gentle closing
- Easy removal and mounting permitted by SmartLock®
- The SmartLock® System provides a ±1,5 mm horizontal and +2 mm upwards adjustment opportunity.
- Maximum up to 19 mm wooden side application
- Drawer Length alternatives: 250/300/350/400/450/500/550/600 mm
- The improved stability guarantees a long product durability
- Same cabinet and drawer can be used with both Smart Slide® Full Extension® and Smart Slide Single Extension (without changing the SmartLock® System)



1 Smart Slide Drawer Slide Right-Left		
NOMINAL SIZE	CODE With Soft close	PACKING
250 mm	127240231	6 Set
300 mm	127240232	6 Set
350 mm	127240233	6 Set
400 mm	127240234	6 Set
450 mm	127240235	6 Set
500 mm	127240236	6 Set
550 mm	127240237	6 Set
600 mm	127240238	6 Set

4 Gallery Railings				
CODE White	CODE Beige	CODE Grey	CODE Black	PACKING
127908111	127908112	127908113	127908114	20 Set
127908121	127908122	127908123	127908124	20 Set
127908131	127908132	127908133	127908134	20 Set
127908141	127908142	127908143	127908144	20 Set
127908151	127908152	127908153	127908154	20 Set
127908161	127908162	127908163	127908164	20 Set
127908171	127908172	127908173	127908174	20 Set
127908181	127908182	127908183	127908184	20 Set

2-3 SmartLock® Right-Left		
CODE Right	CODE Left	PACKING
12790773	12790774	120 Pcs

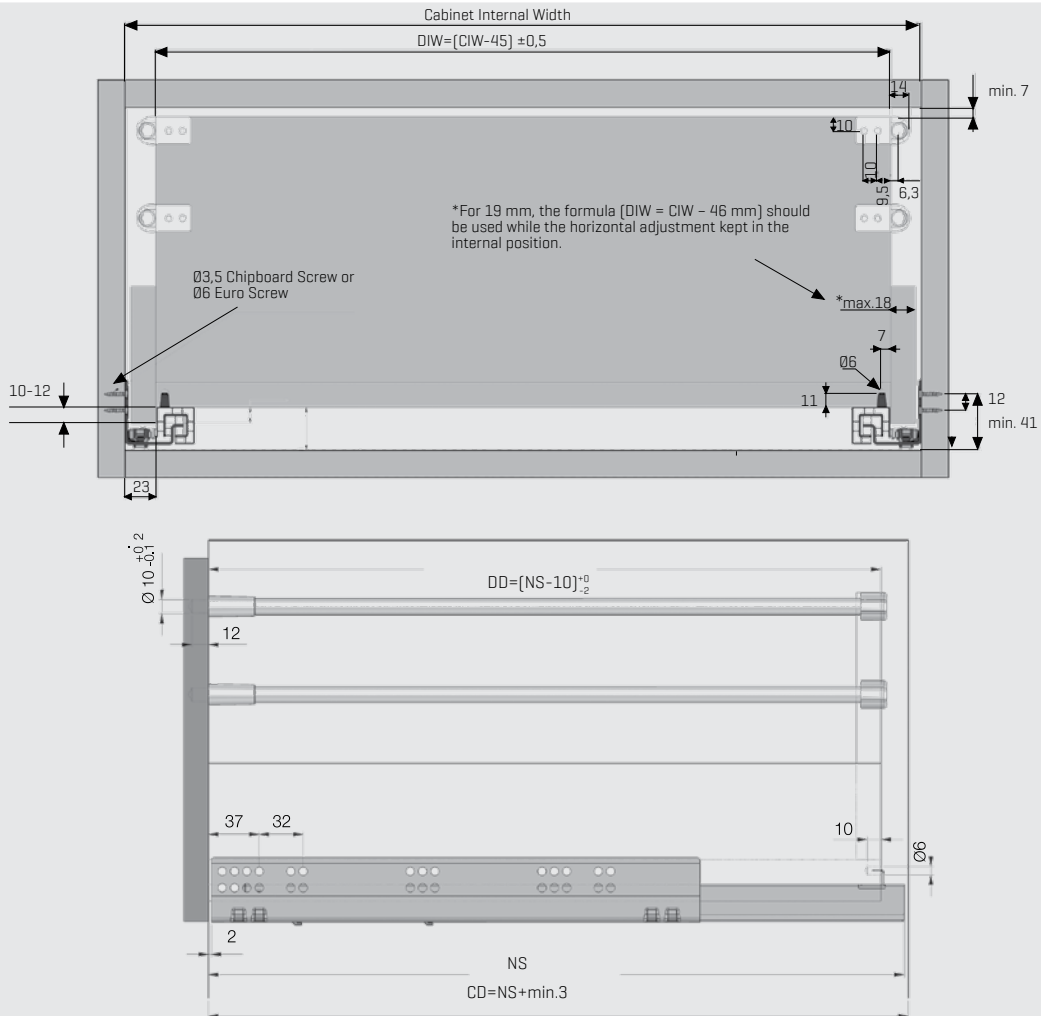
5 Sam Box / Smart Slide Divider Bar [1104 mm]		
COLOR	CODE	PACKING
White	1121981	10 Pcs/Crt.
Metallic Grey	1121983	10 Pcs/Crt.
Black	1121987	10 Pcs/Crt.

6 Sam Box / Smart Slide Single Divider Bar Holder		
COLOR	CODE	PACKING
White	1121991	50 Pcs-Box/ 200 Pcs-Crt.
Grey	1121993	50 Pcs-Box/ 200 Pcs-Crt.
Black	1121997	50 Pcs-Box/ 200 Pcs-Crt.

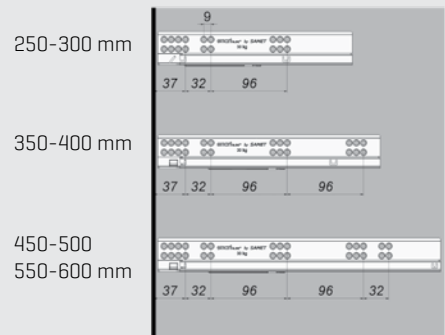
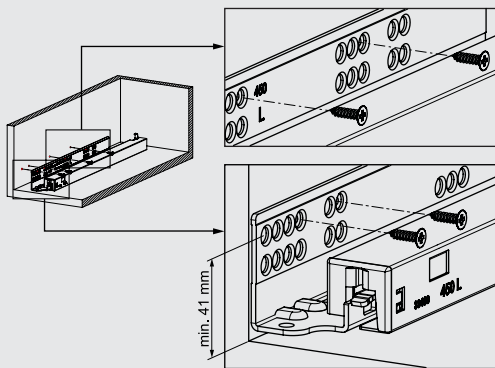
7 Sam Box / Smart Slide Double Divider Bar Holder		
COLOR	CODE	PACKING
White	11219911	50 Pcs-Box/ 200 Pcs-Crt.
Grey	11219931	50 Pcs-Box/ 200 Pcs-Crt.
Black	11219971	50 Pcs-Box/ 200 Pcs-Crt.

Dynamic loading capacity: 40 kg

Drawer and Cabinet Dimensions



Screw Locations for Slides



- CD Cabinet Depth
- CIW Cabinet Internal Width
- NS Nominal Size
- DIW Drawer Internal Width
- DD Drawer Depth

Recommended Screws For Rail Assembly

Ø3,5x16 mm Chipboard Screw



Ø6,1x11,5 mm Euro Screw



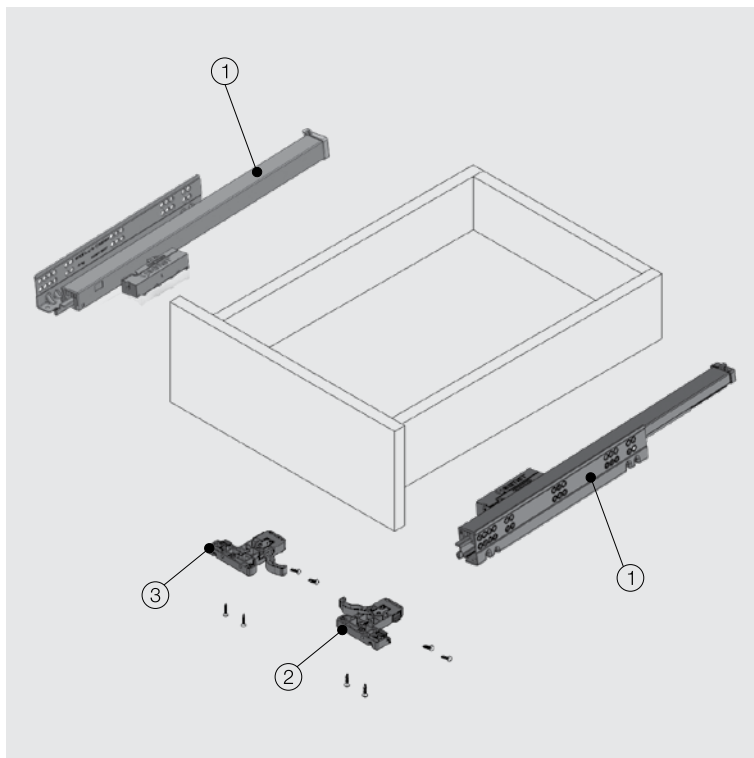
*All dimensions in the graphs above are measured in mm

smart slide full

Push-Open Full Extension Drawer Lock Fix



- Concealed, full extension slides for wooden drawers.
- 3 mm backward and forward adjustment is enabled by screw on Push-Open mechanism.
- Easy removal and mounting permitted by SmartLock®
- The SmartLock® System provides a ±1,5 mm horizontal and +2 mm upwards adjustment opportunity.
- Maximum up to 19 mm wooden side application
- Drawer Length alternatives: 250/300/350/400/450/500/550/600 mm
- The improved stability guarantees a long product durability
- Same cabinet and drawer can be used with both Smart Slide® Full Extension® and Smart Slide Single Extension (without changing the SmartLock® System)

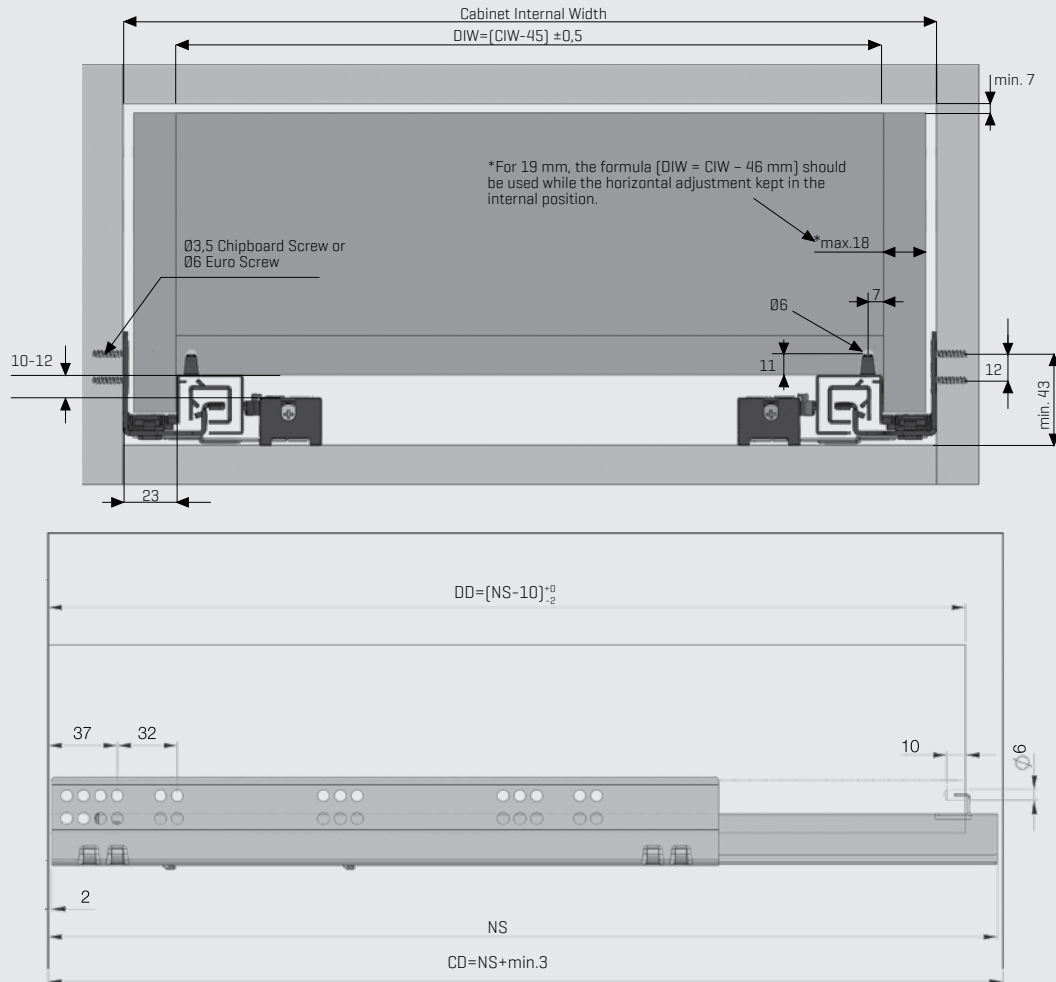


1 Smart Slide Drawer Slide Right-Left		
NOMINAL SIZE	CODE	PACKING
250 mm	127210421	6 Set
300 mm	127210422	6 Set
350 mm	127210423	6 Set
400 mm	127210424	6 Set
450 mm	127210425	6 Set
500 mm	127210426	6 Set
550 mm	127210427	6 Set
600 mm	127210428	6 Set

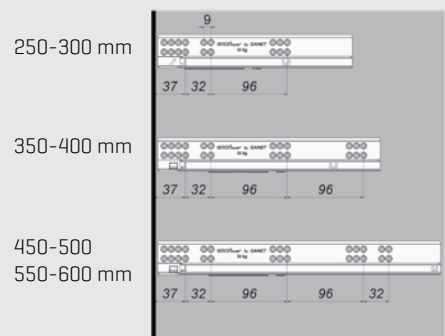
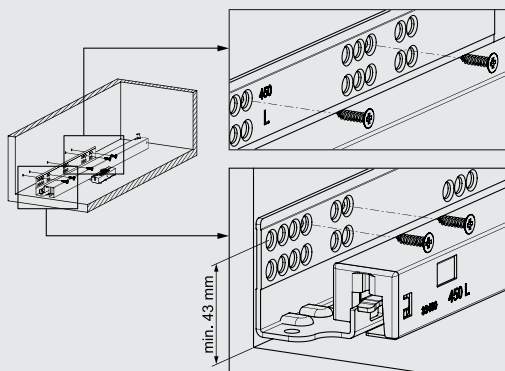
2-3 SmartLock® System Right-Left		
CODE Right	CODE Left	PACKING
12790773	12790774	120 Pcs

Dynamic loading capacity: 40 kg

Drawer and Cabinet Dimensions



Screw Locations for Slides



- CD Cabinet Depth
- CIW Cabinet Internal Width
- NS Nominal Size
- DIW Drawer Internal Width
- DD Drawer Depth

*All dimensions in the graphs above are measured in mm

Recommended Screws For Rail Assembly

03,5x16 mm Chipboard Screw



06,1x11,5 mm Euro Screw

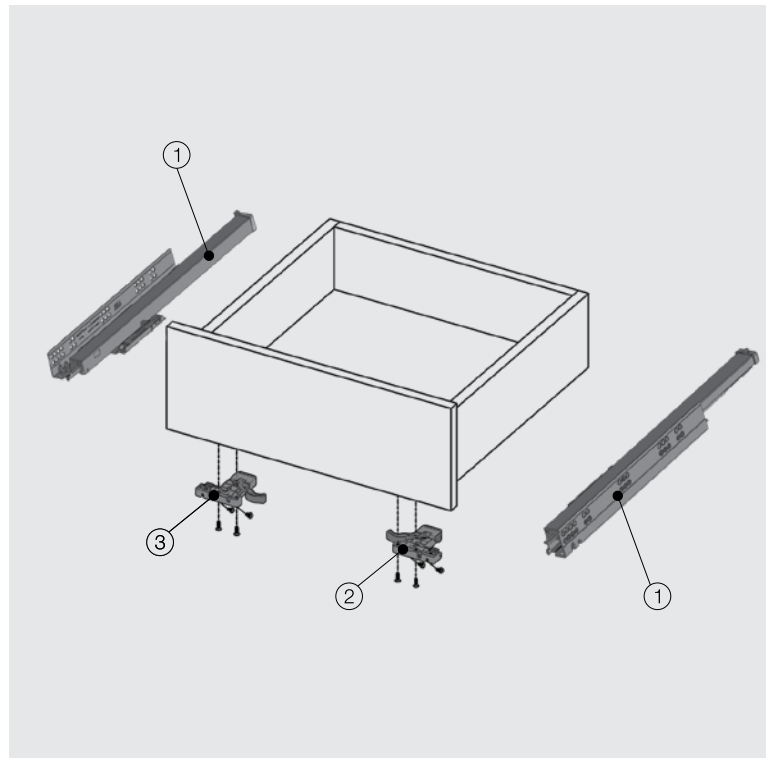


smart slide full

Push-Open Full Extension Soft Close Drawer Lock Fix



- Concealed, full extension slides for wooden drawers.
- Adaptive soft close system guarantees silent and gentle closing.
- Easy removal and mounting permitted by SmartLock®
- The SmartLock® System provides a $\pm 1,5$ mm horizontal and +2 mm upwards adjustment opportunity.
- Maximum up to 19 mm wooden side application
- Drawer Length alternatives: 350/400/450/500/550/600 mm
- The improved stability guarantees a long product durability

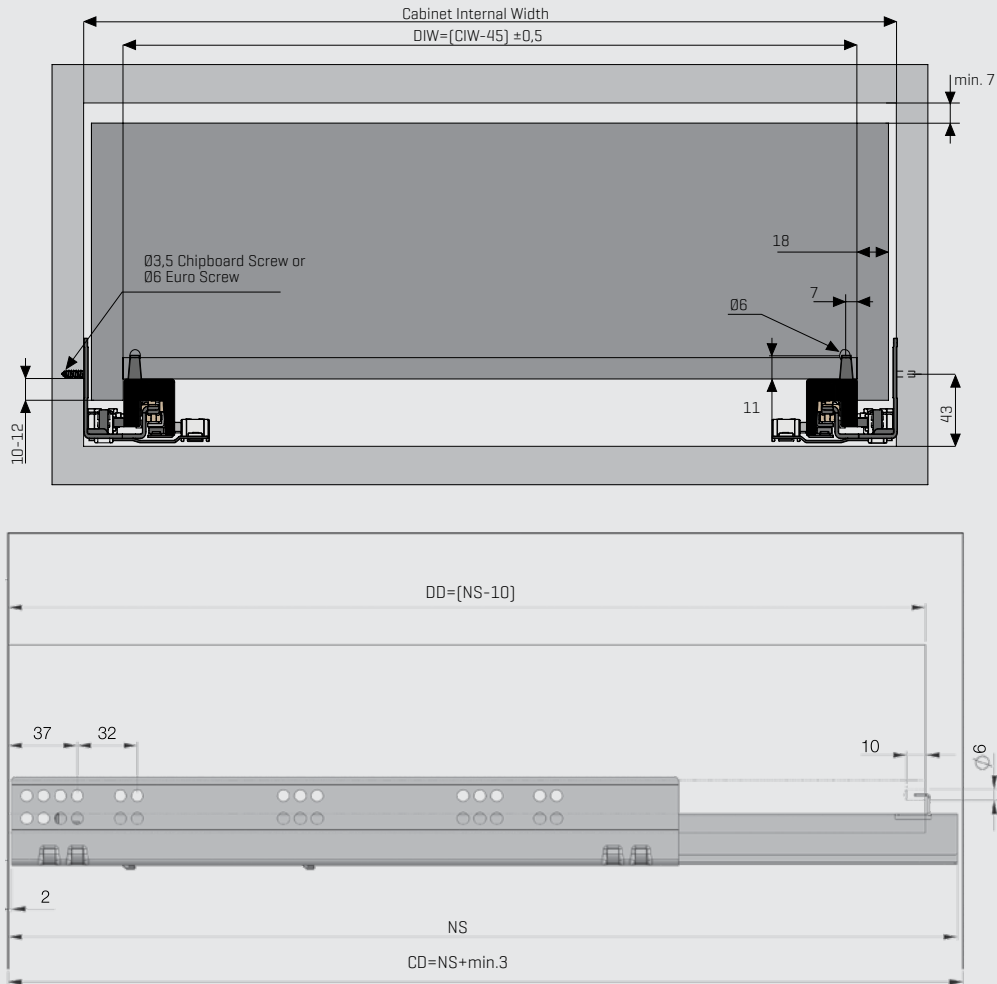


1 Smart Slide Drawer Slide Right-Left		
NOMINAL SIZE	CODE	PACKING
350 mm	127230303	6 Set
400 mm	127230304	6 Set
450 mm	127230305	6 Set
500 mm	127230306	6 Set
550 mm	127230307	6 Set
600 mm	127230308	6 Set

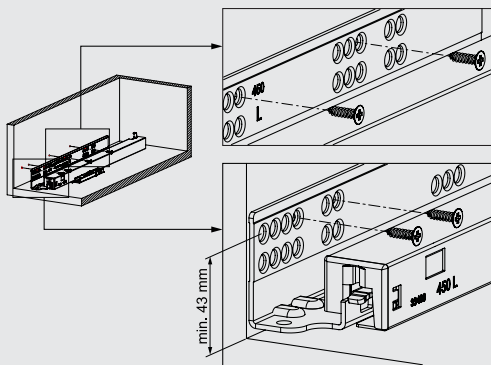
2-3 SmartLock® System Right-Left		
CODE Right	CODE Left	PACKING
12790773	12790774	120 Pcs

Dynamic loading capacity: 40 kg

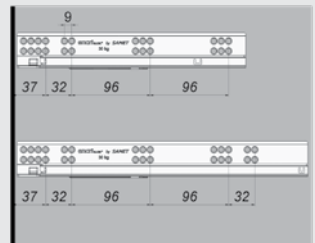
Drawer and Cabinet Dimensions



Screw Locations for Slides



350-400 mm



450-500

550-600 mm

- CD Cabinet Depth
- CIW Cabinet Internal Width
- NS Nominal Size
- DIW Drawer Internal Width
- DD Drawer Depth

Recommended Screws For Rail Assembly

03,5x16 mm Chipboard Screw



06,1x11,5 mm Euro Screw



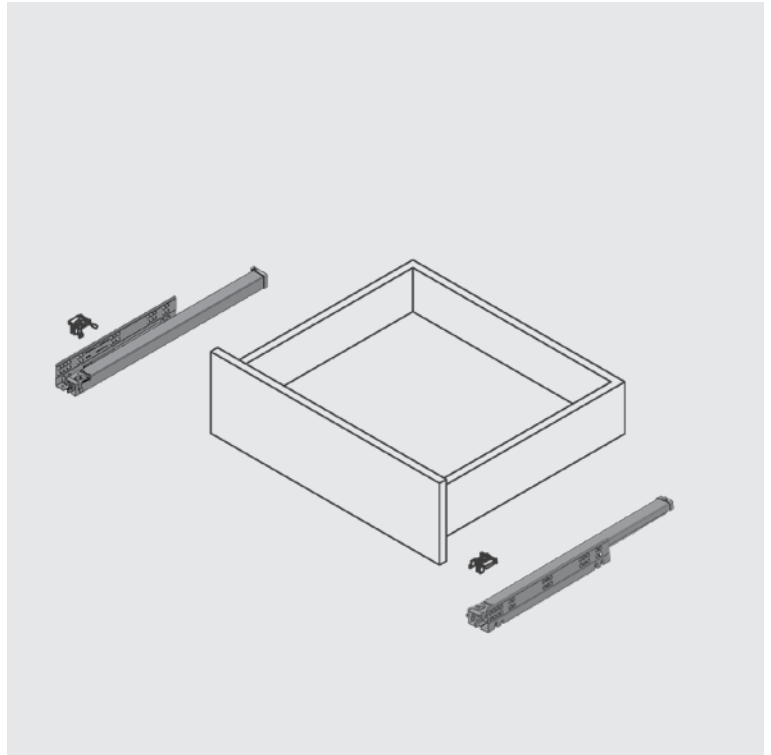
*All dimensions in the graphs above are measured in mm

smart slide full

Full Extension Soft Close Drawer Pin Fix



- Concealed, full extension slides for wooden drawers.
- Adaptive soft close system guarantees silent and gentle closing.
- +2,5 mm upwards adjustment feature
- Maximum up to 19 mm wooden side application
- Drawer Length alternatives: 350/400/450/500/550/600 mm
- The improved stability guarantees a long product durability



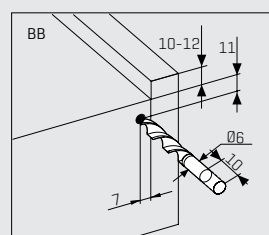
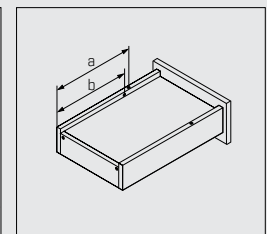
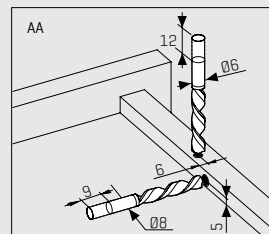
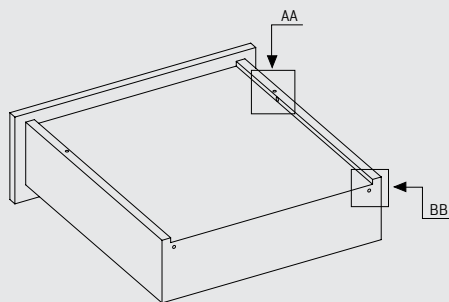
1

Smart Slide Drawer Slide Right-Left

NOMINAL SIZE	CODE With Soft close	PACKING
250 mm	127240241	6 Set
300 mm	127240242	6 Set
350 mm	127240243	6 Set
400 mm	127240244	6 Set
450 mm	127240245	6 Set
500 mm	127240246	6 Set
550 mm	127240247	6 Set
600 mm	127240248	6 Set

Drawer Dimensions

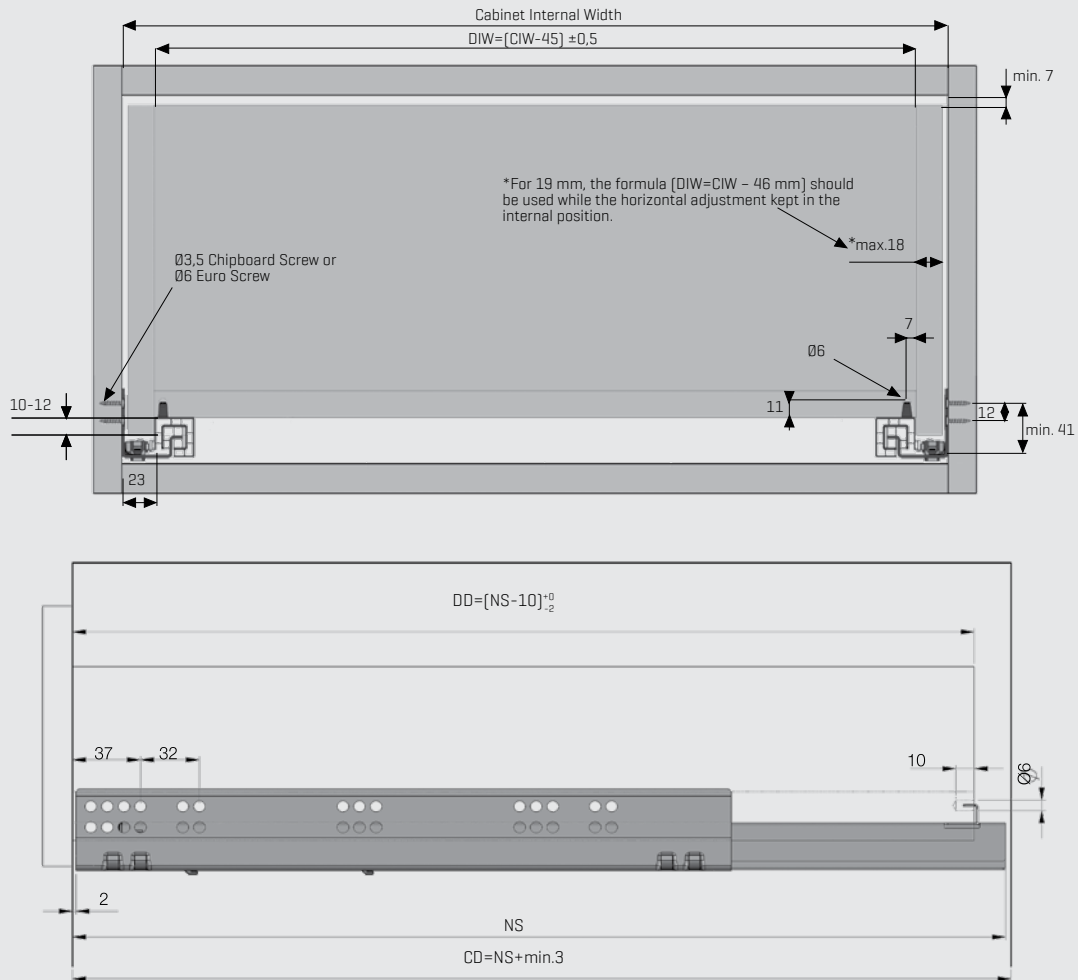
You should drill the holes before drawer's assembly.



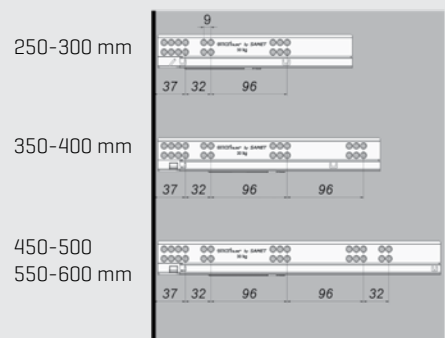
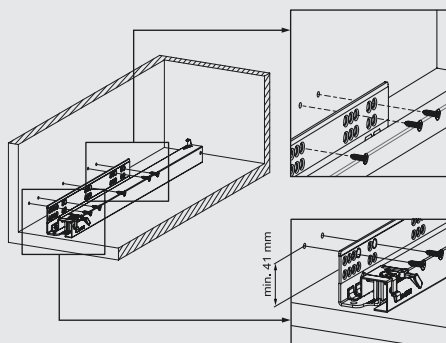
Nominal Size NS (mm)	Fitting Pins a (mm)	Safety Pins b (mm)
250	221	201
300	271	251
350	321	301
400	371	351
450	421	401
500	471	451
550	521	501
600	571	551

Dynamic loading capacity: 40 kg

Drawer and Cabinet Dimensions



Screw Locations for Slides



- CD Cabinet Depth
- CIW Cabinet Internal Width
- NS Nominal Size
- DIW Drawer Internal Width
- DD Drawer Depth

*All dimensions in the graphs above are measured in mm

Recommended Screws For Rail Assembly

Ø3,5x16 mm Chipboard Screw

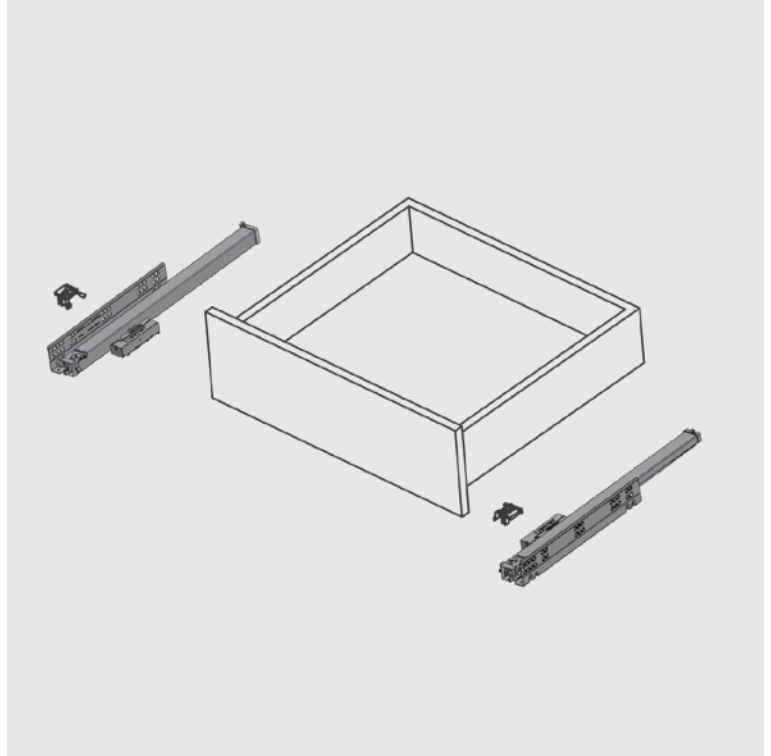


Ø6,1x11,5 mm Euro Screw



smart slide full

Push-Open Full Extension Drawer Pin Fix



- Concealed, single extension slides for wooden drawers.
- 3 mm forward and backward adjustment via Push-Open mechanism
- +2,5 mm upwards adjustment feature
- Maximum up to 19 mm wooden side application
- Drawer Length alternatives: 350/400/450/500/550/600 mm
- The improved stability guarantees a long product durability
- Same cabinet and drawer can be used with both Smart Slide® full extension and smart slide® single extension (without changing the Smartlock® system.)

1		Smart Slide Drawer Slide Right-Left	
NOMINAL SIZE	CODE	PACKING	
250 mm	127210411	6 Set	
300 mm	127210412	6 Set	
350 mm	127210413	6 Set	
400 mm	127210414	6 Set	
450 mm	127210415	6 Set	
500 mm	127210416	6 Set	
550 mm	127210417	6 Set	
600 mm	127210418	6 Set	

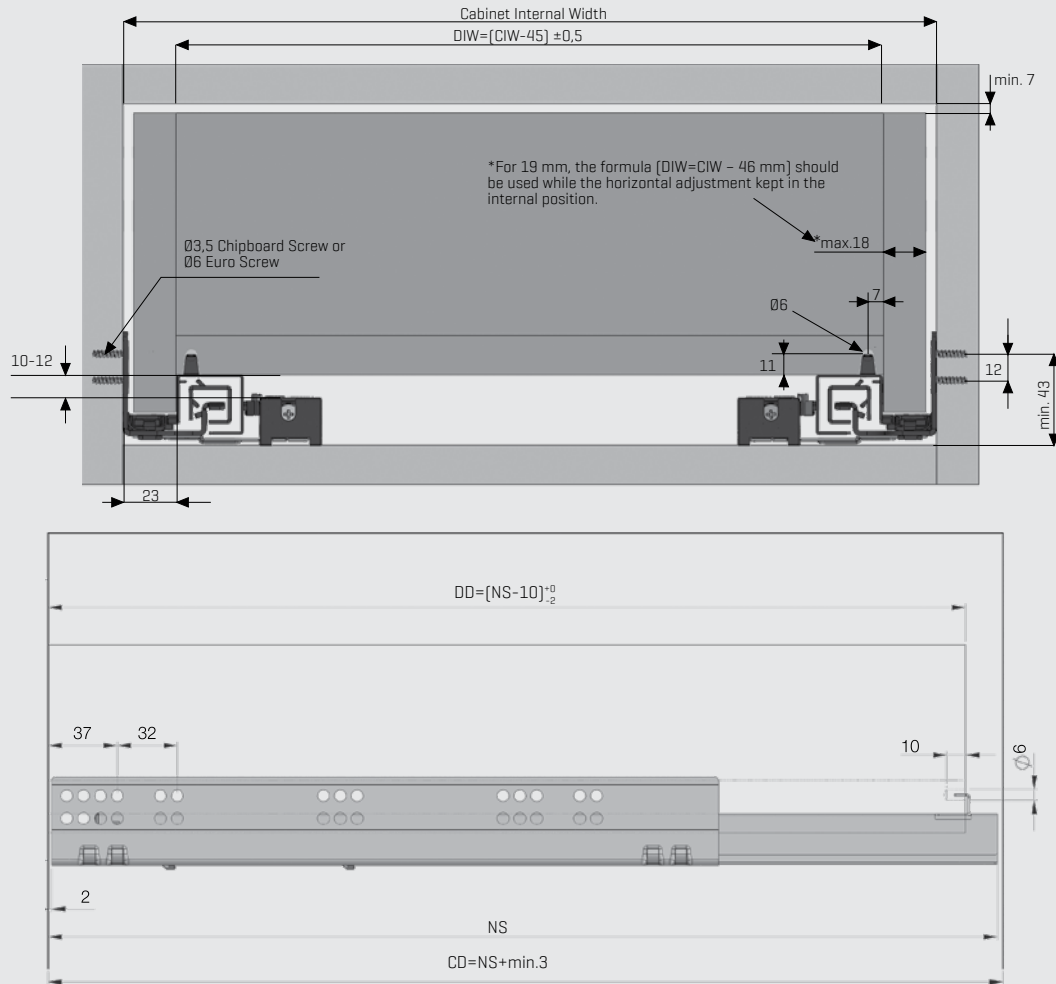
Drawer Dimensions

You should drill the holes before drawer's assembly.

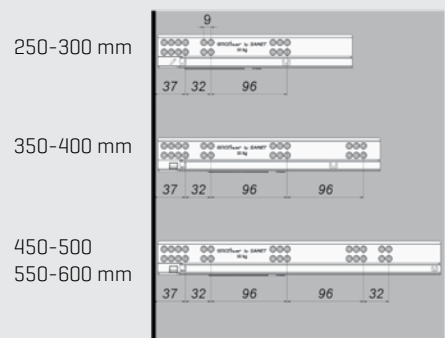
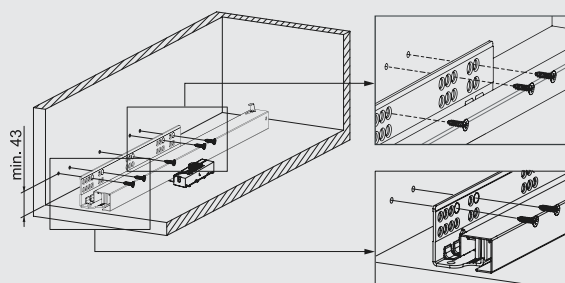
Nominal Size NS (mm)	Fitting Pins a (mm)	Safety Pins b (mm)
250	221	201
300	271	251
350	321	301
400	371	351
450	421	401
500	471	451
550	521	501
600	571	551

Dynamic loading capacity: 40 kg

Drawer and Cabinet Dimensions



Screw Locations for Slides



- CD Cabinet Depth
- CIW Cabinet Internal Width
- NS Nominal Size
- DIW Drawer Internal Width
- DD Drawer Depth

Recommended Screws For Rail Assembly

Ø3,5x16 mm Chipboard Screw



Ø6,1x11,5 mm Euro Screw



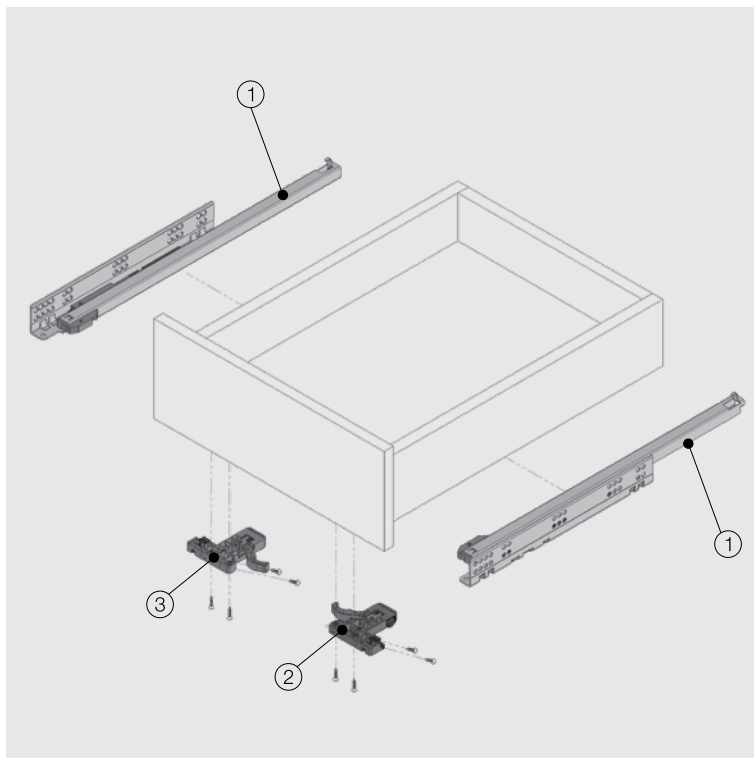
*All dimensions in the graphs above are measured in mm

smart slide single

Single Extension Drawer Lock Fix



- Concealed, single extension slides for wooden drawers.
- Adaptive soft close system guarantees silent and gentle closing
- Easy removal and mounting permitted by SmartLock®
- The SmartLock® System provides a ±1,5 mm horizontal and +2 mm upwards adjustment opportunity.
- Maximum up to 19 mm wooden side application
- Drawer Length alternatives: 250/300/350/400/450/500/550/600 mm
- The improved stability guarantees a long product durability
- Same cabinet and drawer can be used with both Smart Slide® Full Extension® and Smart Slide Single Extension (without changing the SmartLock® System)

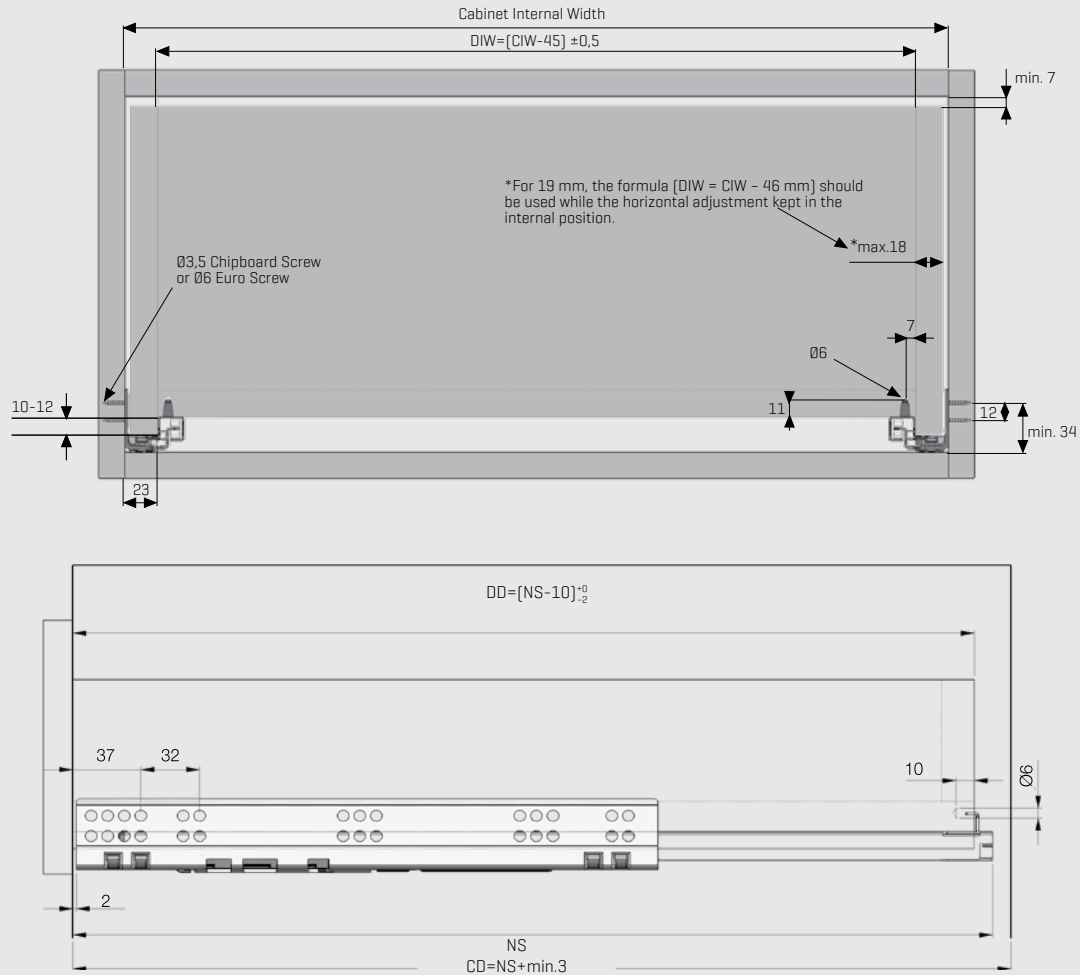


1 Smart Slide Drawer Slide Right-Left			
NOMINAL SIZE	CODE With Soft close	CODE Without Soft close	PACKING
250 mm	127221301	12722111	12 Set
300 mm	127221302	12722112	12 Set
350 mm	127221303	12722113	12 Set
400 mm	127221304	12722114	12 Set
450 mm	127221305	12722115	12 Set
500 mm	127221306	12722116	12 Set
550 mm	127221307	12722117	12 Set
600 mm	127221308	12722118	12 Set

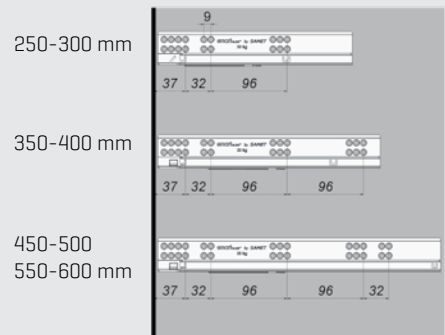
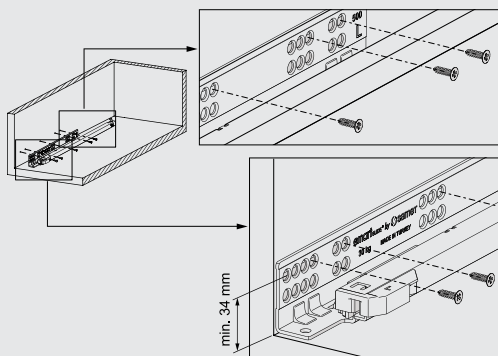
2-3 SmartLock® Right-Left		
CODE Right	CODE Left	PACKING
12790773	12790774	120 Pcs

Dynamic loading capacity: 30 kg

Drawer and Cabinet Dimensions



Screw Locations for Slides



- CD Cabinet Depth
- CIW Cabinet Internal Width
- NS Nominal Size
- DIW Drawer Internal Width
- DD Drawer Depth

Recommended Screws For Rail Assembly

Ø3,5x16 mm Chipboard Screw



Ø6,1x11,5 mm Euro Screw



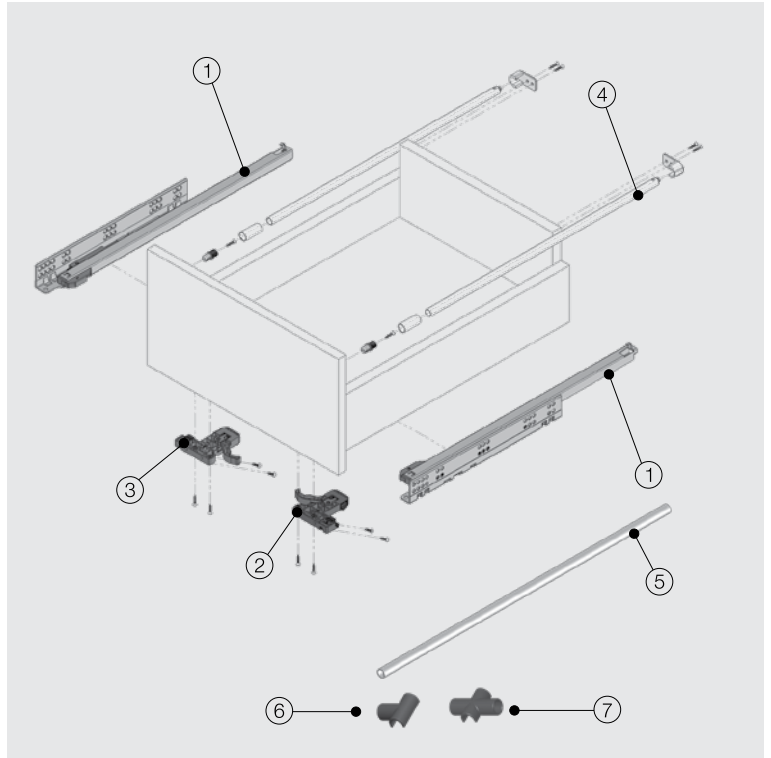
*All dimensions in the graphs above are measured in mm

smart slide single

Single Extension Drawer with Single Gallery Railing Lock Fix



- Concealed, single extension slides for wooden drawers.
- Adaptive soft close system guarantees silent and gentle closing
- Easy removal and mounting permitted by SmartLock®
- The SmartLock® System provides a ±1,5 mm horizontal and +2 mm upwards adjustment opportunity.
- Maximum up to 19 mm wooden side application
- Drawer Length alternatives: 250/300/350/400/450/500/550/600 mm
- The improved stability guarantees a long product durability
- Same cabinet and drawer can be used with both Smart Slide® Full Extension® and Smart Slide Single Extension (without changing the SmartLock® System)



1 Smart Slide Drawer Slide Right-Left			
NOMINAL SIZE	CODE With Soft close	CODE Without Soft close	PACKING
250 mm	127221301	12722111	12 Set
300 mm	127221302	12722112	12 Set
350 mm	127221303	12722113	12 Set
400 mm	127221304	12722114	12 Set
450 mm	127221305	12722115	12 Set
500 mm	127221306	12722116	12 Set
550 mm	127221307	12722117	12 Set
600 mm	127221308	12722118	12 Set

4 Gallery Railings				
CODE White	CODE Beige	CODE Grey	CODE Black	PACKING
127908111	127908112	127908113	127908114	20 Set
127908121	127908122	127908123	127908124	20 Set
127908131	127908132	127908133	127908134	20 Set
127908141	127908142	127908143	127908144	20 Set
127908151	127908152	127908153	127908154	20 Set
127908161	127908162	127908163	127908164	20 Set
127908171	127908172	127908173	127908174	20 Set
127908181	127908182	127908183	127908184	20 Set

2-3 SmartLock® Right-Left		
CODE Right	CODE Left	PACKING
12790773	12790774	120 Pcs

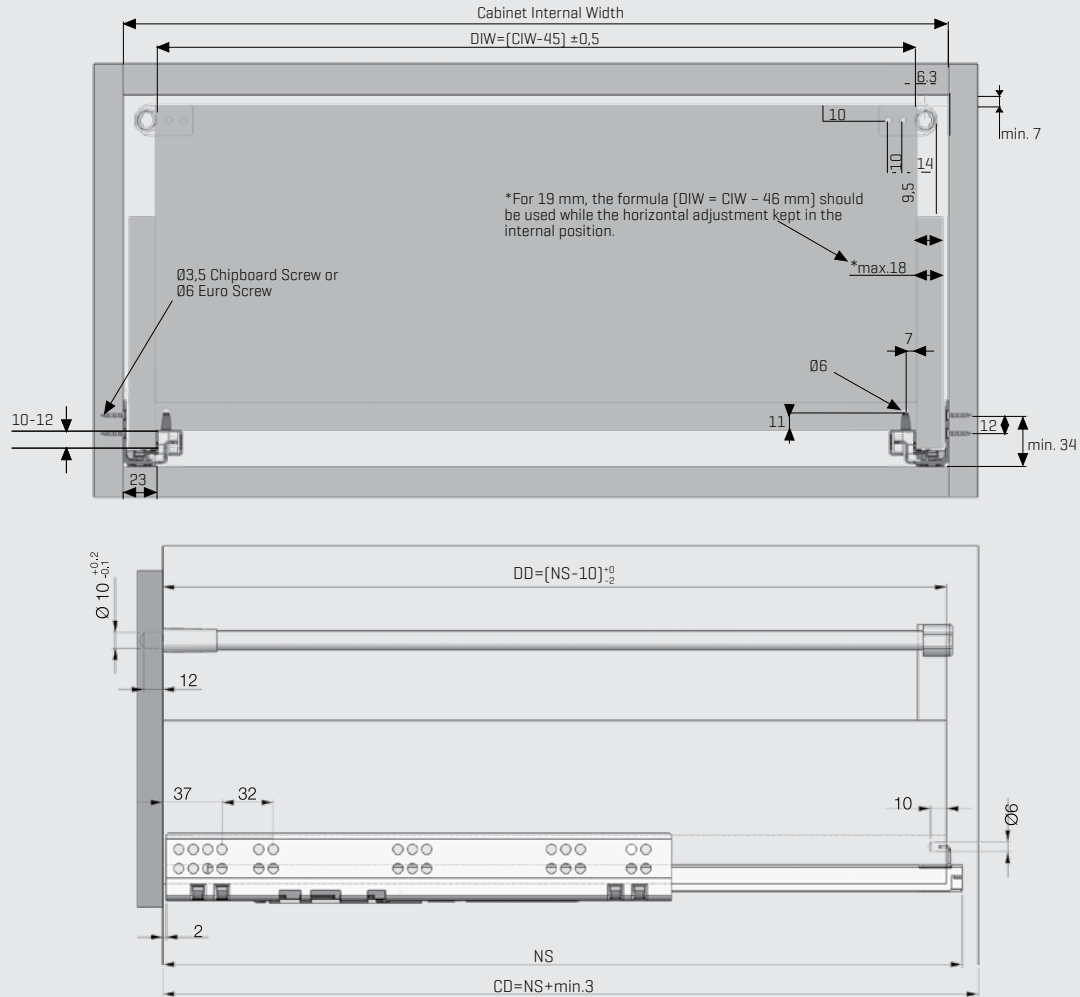
5 Sam Box / Smart Slide Divider Bar (1104 mm)		
COLOR	CODE	PACKING
White	1121981	10 Pcs/Crt.
Metallic Grey	1121983	10 Pcs/Crt.
Black	1121987	10 Pcs/Crt.

6 Sam Box / Smart Slide Single Divider Bar Holder		
COLOR	CODE	PACKING
White	1121991	50 Pcs-Box/ 200 Pcs-Crt.
Grey	1121993	50 Pcs-Box/ 200 Pcs-Crt.
Black	1121997	50 Pcs-Box/ 200 Pcs-Crt.

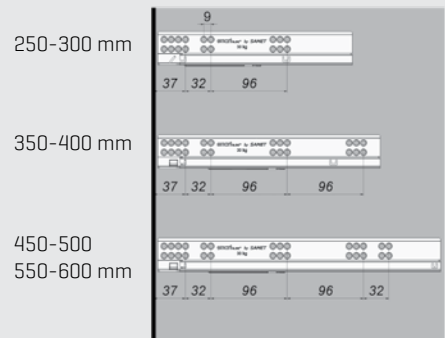
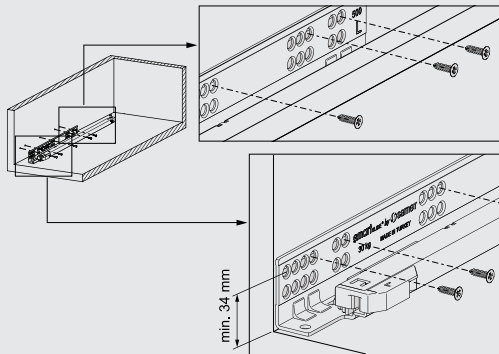
7 Sam Box / Smart Slide Double Divider Bar Holder		
COLOR	CODE	PACKING
White	11219911	50 Pcs-Box/ 200 Pcs-Crt.
Grey	11219931	50 Pcs-Box/ 200 Pcs-Crt.
Black	11219971	50 Pcs-Box/ 200 Pcs-Crt.

Dynamic loading capacity: 30 kg

Drawer and Cabinet Dimensions



Screw Locations for Slides



- CD Cabinet Depth
- CIW Cabinet Internal Width
- NS Nominal Size
- DIW Drawer Internal Width
- DD Drawer Depth

Recommended Screws For Rail Assembly

Ø3,5x16 mm Chipboard Screw



Ø6,1x11,5 mm Euro Screw



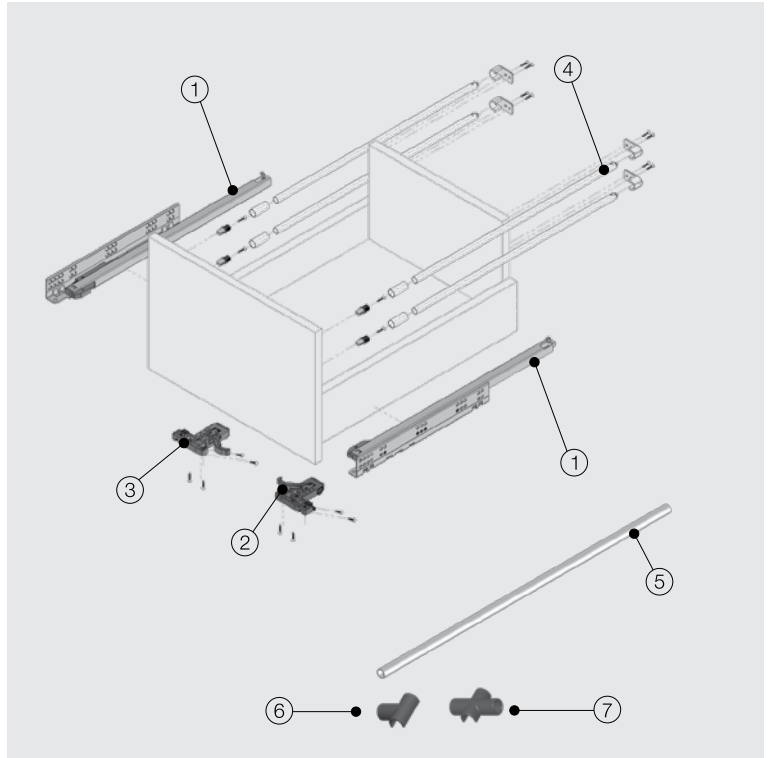
*All dimensions in the graphs above are measured in mm

smart slide single

Single Extension Drawer with Double Gallery Railing Lock Fix



- Concealed, single extension slides for wooden drawers.
- Adaptive soft close system guarantees silent and gentle closing
- Easy removal and mounting permitted by SmartLock®
- The SmartLock® System provides a ±1,5 mm horizontal and +2 mm upwards adjustment opportunity.
- Maximum up to 19 mm wooden side application
- Drawer Length alternatives: 250/300/350/400/450/500/550/600 mm
- The improved stability guarantees a long product durability
- Same cabinet and drawer can be used with both Smart Slide® Full Extension® and Smart Slide Single Extension (without changing the SmartLock® System)



1 Smart Slide Drawer Slide Right-Left			
NOMINAL SIZE	CODE With Soft close	CODE Without Soft close	PACKING
250 mm	127221301	12722111	12 Set
300 mm	127221302	12722112	12 Set
350 mm	127221303	12722113	12 Set
400 mm	127221304	12722114	12 Set
450 mm	127221305	12722115	12 Set
500 mm	127221306	12722116	12 Set
550 mm	127221307	12722117	12 Set
600 mm	127221308	12722118	12 Set

4 Gallery Railings				
CODE White	CODE Beige	CODE Grey	CODE Black	PACKING
127908111	127908112	127908113	127908114	20 Set
127908121	127908122	127908123	127908124	20 Set
127908131	127908132	127908133	127908134	20 Set
127908141	127908142	127908143	127908144	20 Set
127908151	127908152	127908153	127908154	20 Set
127908161	127908162	127908163	127908164	20 Set
127908171	127908172	127908173	127908174	20 Set
127908181	127908182	127908183	127908184	20 Set

2-3 SmartLock® Right-Left		
CODE Right	CODE Left	PACKING
12790773	12790774	120 Pcs

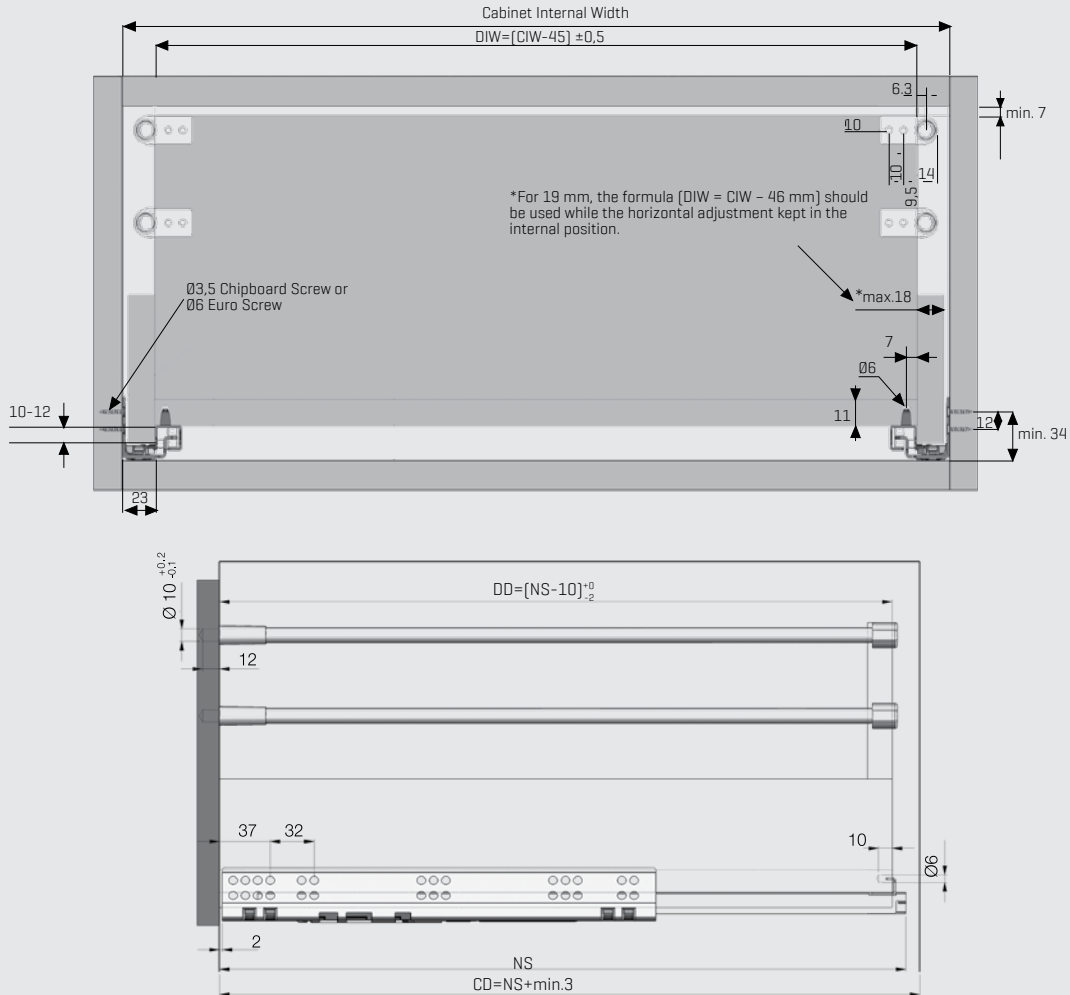
5 Sam Box / Smart Slide Divider Bar [1104 mm]		
COLOR	CODE	PACKING
White	1121981	10 Pcs/Crt.
Metallic Grey	1121983	10 Pcs/Crt.
Black	1121987	10 Pcs/Crt.

6 Sam Box / Smart Slide Single Divider Bar Holder		
COLOR	CODE	PACKING
White	1121991	50 Pcs-Box/ 200 Pcs-Crt.
Grey	1121993	50 Pcs-Box/ 200 Pcs-Crt.
Black	1121997	50 Pcs-Box 200 Pcs-Crt.

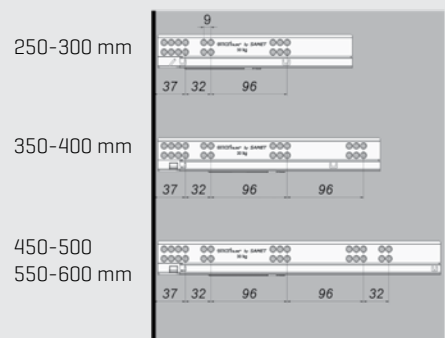
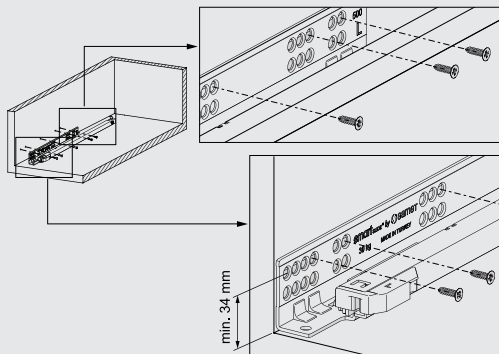
7 Sam Box / Smart Slide Double Divider Bar Holder		
COLOR	CODE	PACKING
White	11219911	50 Pcs-Box/ 200 Pcs-Crt.
Grey	11219931	50 Pcs-Box/ 200 Pcs-Crt.
Black	11219971	50 Pcs-Box/ 200 Pcs-Crt.

Dynamic loading capacity: 30 kg

Drawer and Cabinet Dimensions



Screw Locations for Slides



- CD Cabinet Depth
- CIW Cabinet Internal Width
- NS Nominal Size
- DIW Drawer Internal Width
- DD Drawer Depth

Recommended Screws For Rail Assembly

Ø3,5x16 mm Chipboard Screw



06,1x11,5 mm Euro Screw



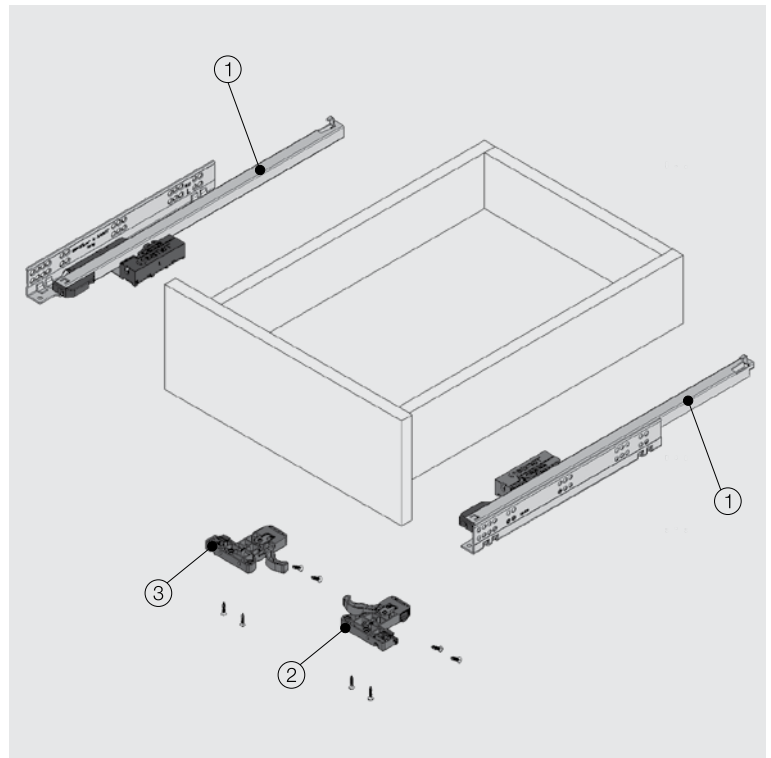
*All dimensions in the graphs above are measured in mm

smart slide single

Push-Open Single Extension Drawer Lock Fix



- Concealed, single extension slides for wooden drawers.
- 3 mm backward and forward adjustment is enabled by screw on Push-Open mechanism.
- Easy removal and mounting permitted by SmartLock®
- The SmartLock® System provides a ±1,5 mm horizontal and +2 mm upwards adjustment opportunity.
- Maximum up to 19 mm wooden side application
- Drawer Length alternatives: 250/300/350/400/450/500/550/600 mm
- The improved stability guarantees a long product durability
- Same cabinet and drawer can be used with both Smart Slide® Full Extension® and Smart Slide Single Extension (without changing the SmartLock® System)

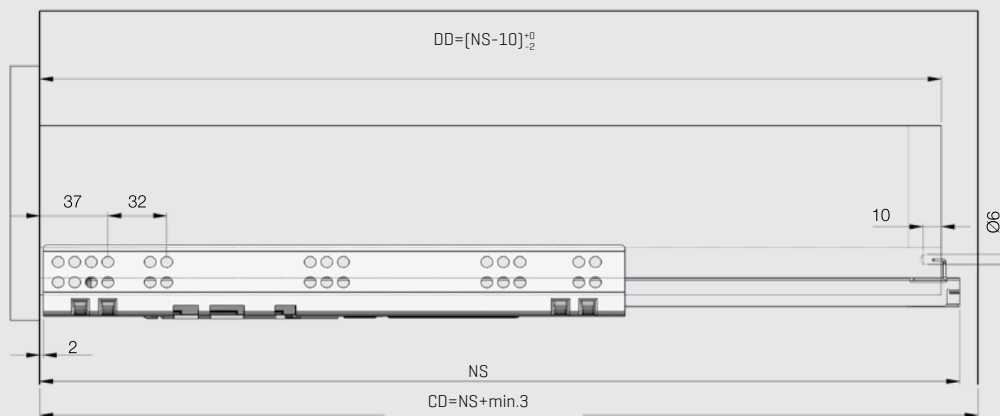
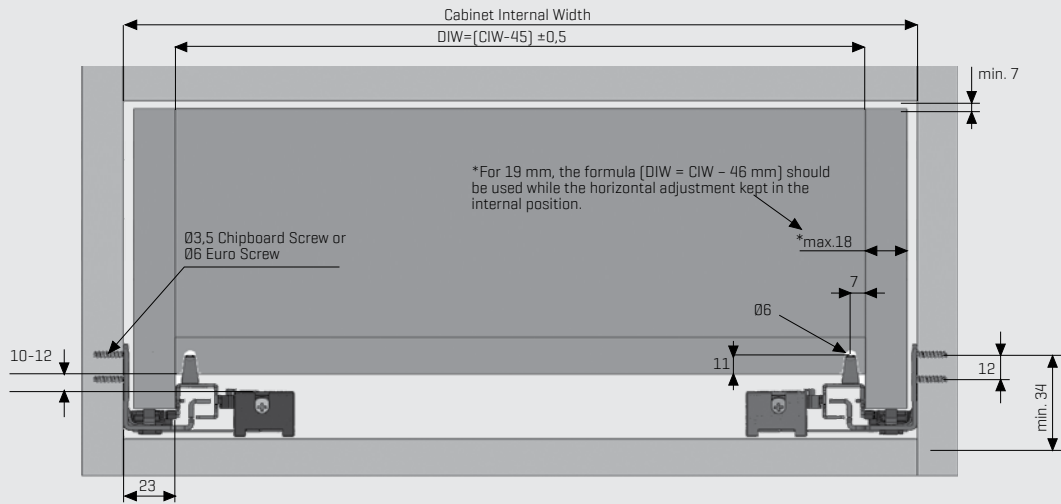


1 Smart Slide Drawer Slide Right-Left		
NOMINAL SIZE	CODE	PACKING
250 mm	12722411	12 Set
300 mm	12722412	12 Set
350 mm	12722413	12 Set
400 mm	12722414	12 Set
450 mm	12722415	12 Set
500 mm	12722416	12 Set
550 mm	12722417	12 Set
600 mm	12722418	12 Set

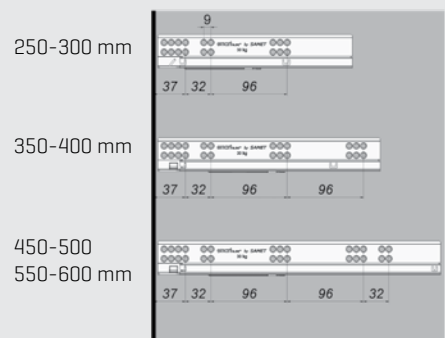
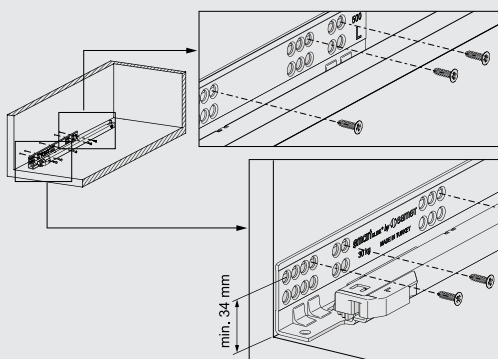
2-3 SmartLock® Right-Left		
CODE Right	CODE Left	PACKING
12790773	12790774	120 Pcs

Dynamic loading capacity: 30 kg

Drawer and Cabinet Dimensions



Screw Locations for Slides



- CD Cabinet Depth
- CIW Cabinet Internal Width
- NS Nominal Size
- DIW Drawer Internal Width
- DD Drawer Depth

Recommended Screws For Rail Assembly

$\varnothing 3,5 \times 16$ mm Chipboard Screw



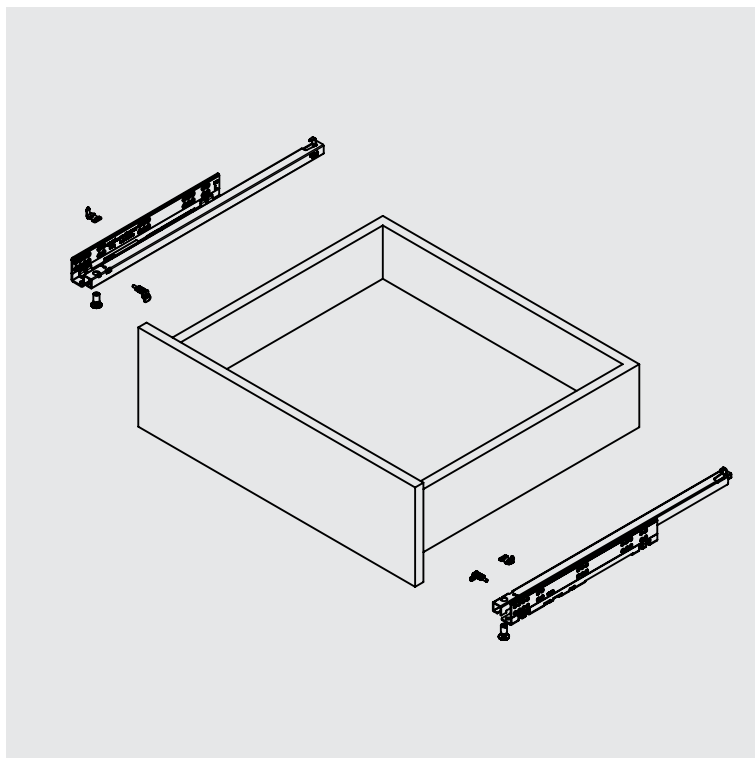
$\varnothing 6,1 \times 11,5$ mm Euro Screw



*All dimensions in the graphs above are measured in mm

smart slide single

Single Extension Drawer Pin Fix

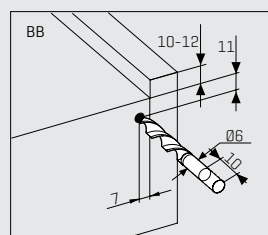
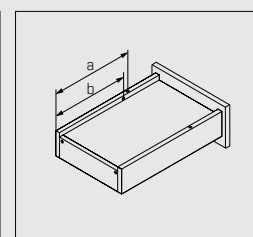
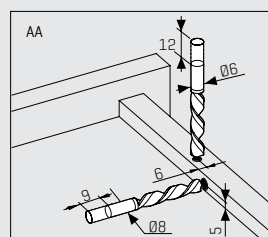
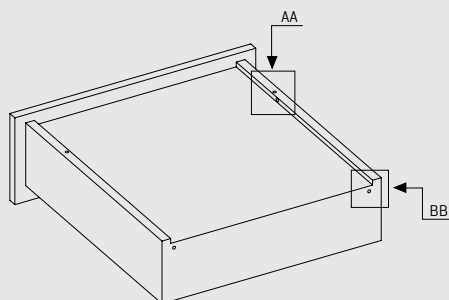


- Concealed, single extension slides for wooden drawers.
- Adaptive soft close system guarantees silent and gentle closing.
- +2,5 mm upwards adjustment feature
- Maximum up to 19 mm wooden side application
- Drawer Length alternatives: 350/400/450/500/550/600 mm
- The improved stability guarantees a long product durability
- Same cabinet and drawer can be used with both Smart Slide® full extension and smart slide® single extension (without changing the Smartlock® system.)

1		Smart Slide Drawer Slide Right-Left	
NOMINAL SIZE	CODE With Soft close	PACKING	
250 mm	127221401	12 Set	
300 mm	127221402	12 Set	
350 mm	127221403	12 Set	
400 mm	127221404	12 Set	
450 mm	127221405	12 Set	
500 mm	127221406	12 Set	
550 mm	127221407	12 Set	
600 mm	127221408	12 Set	

Drawer Dimensions

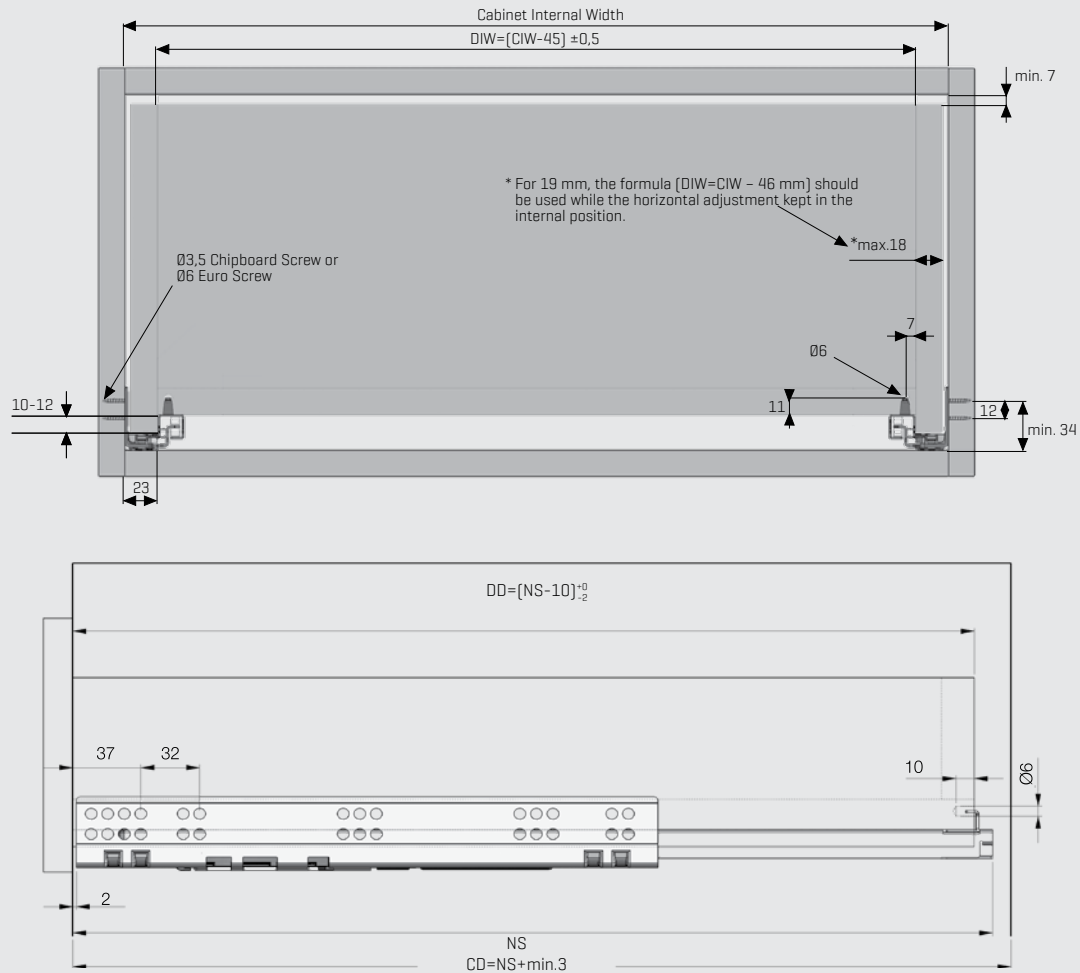
You should drill the holes before drawer's assembly.



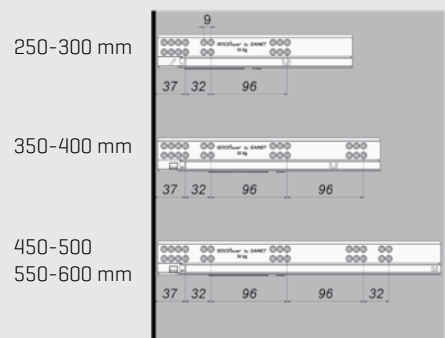
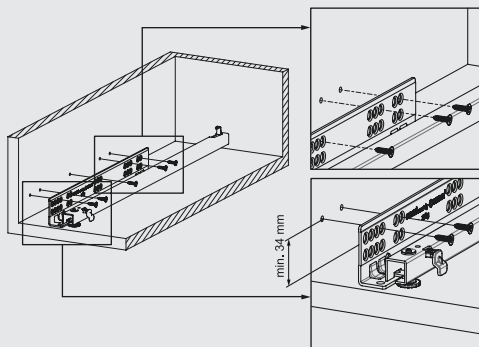
Nominal Size NS (mm)	Fitting Pins a (mm)	Safety Pins b (mm)
250	221	201
300	271	251
350	321	301
400	371	351
450	421	401
500	471	451
550	521	501
600	571	551

Dynamic loading capacity: 30 kg

Drawer and Cabinet Dimensions



Screw Locations for Slides



- CD Cabinet Depth
- CIW Cabinet Internal Width
- NS Nominal Size
- DIW Drawer Internal Width
- DD Drawer Depth

*All dimensions in the graphs above are measured in mm

Recommended Screws For Rail Assembly

Ø3,5x16 mm Chipboard Screw



Ø6,1x11,5 mm Euro Screw

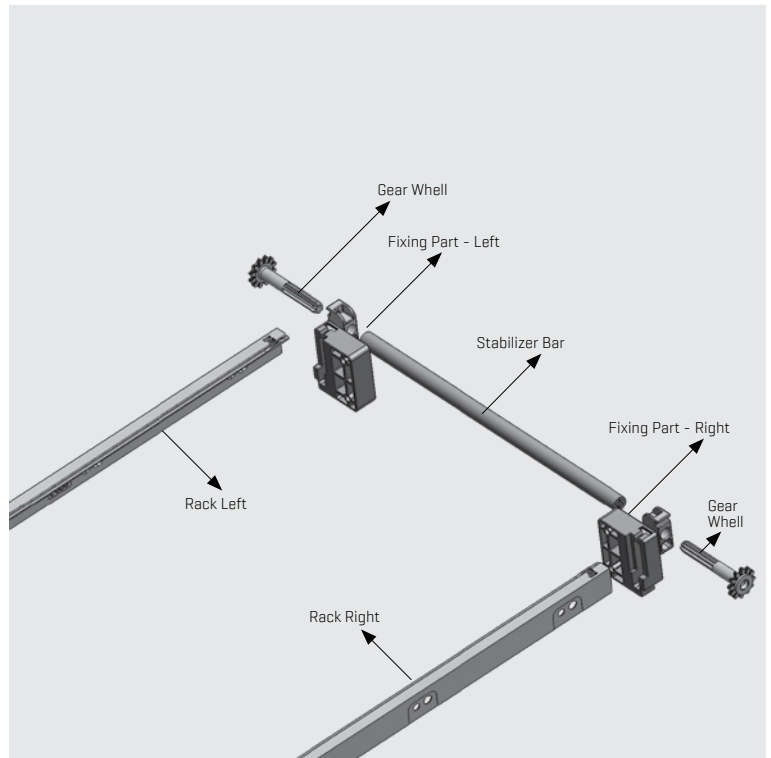


smart slide

Drawer Stabilizer



· For drawers with 900 - 1.200 mm dimensions additional stabilizers are recommended.



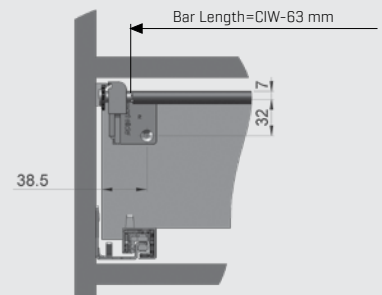
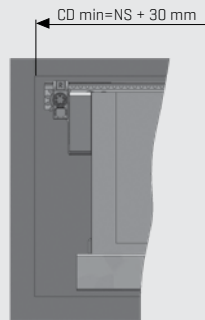
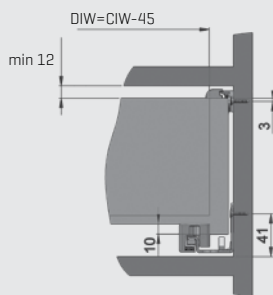
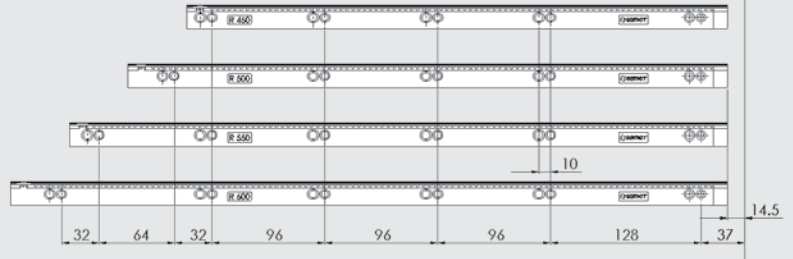
Drawer Stabilizer

NOMINAL SIZE	COLOR	CODE	PACKING
350 mm	Grey	127901319	20 Set
400 mm	Grey	127901320	20 Set
450 mm	Grey	127901321	20 Set
500 mm	Grey	127901322	20 Set
550 mm	Grey	127901323	20 Set
600 mm	Grey	127901324	20 Set

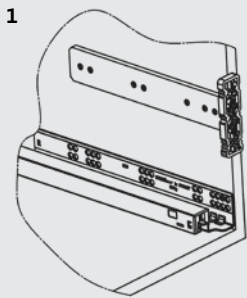
* Bar length for 1200 mm, drawer is 1101 mm Please give special order for the bar lengths above 1200 mm

Rack Mounting Dimensions

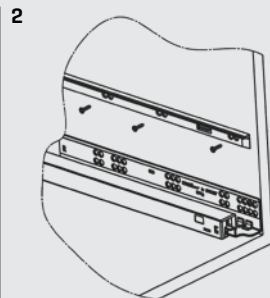
NS	CD min.
450	480
500	530
550	580
600	630



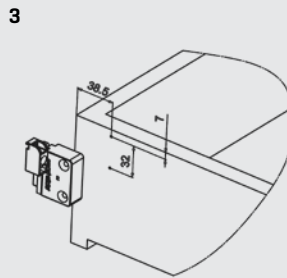
Assembling



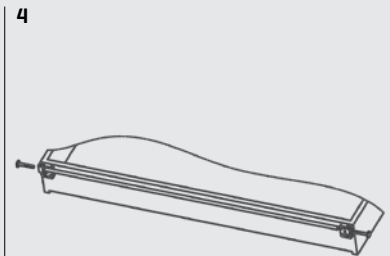
1
* According to the height of the drawer, Rack Mounting Connection holes (using the above-mentioned dimensions), have to be drilled on the right and left side of the cabinet. For this procedure the hand tamplet should be used.



2
* Racks are screwed to right and left sides of the cabinet



3
* The fixing body should be mounted based on the dimensions shown above by using a chip board screw (Ø3.5X25)

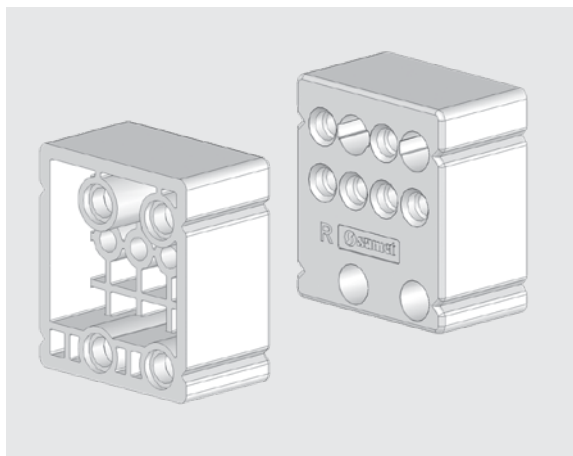


4
* Mount the gear wheel to the bar and place the drawer into the cabinet.

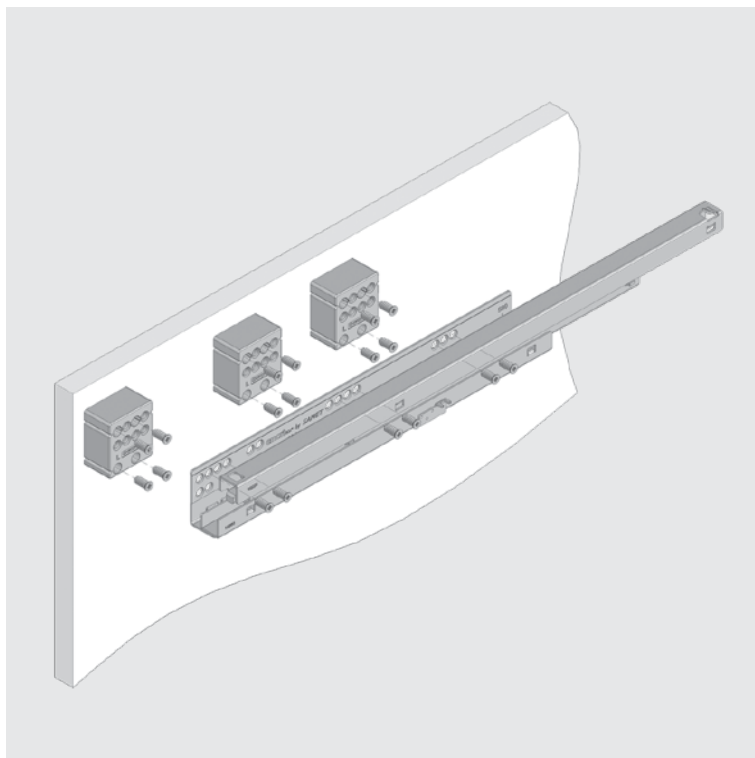
CD Cabinet Depth
CIW Cabinet Internal Width
NS Nominal Size
DIW Drawer Internal Width
DD Drawer Depth

smart slide

Smart Distance Bracket

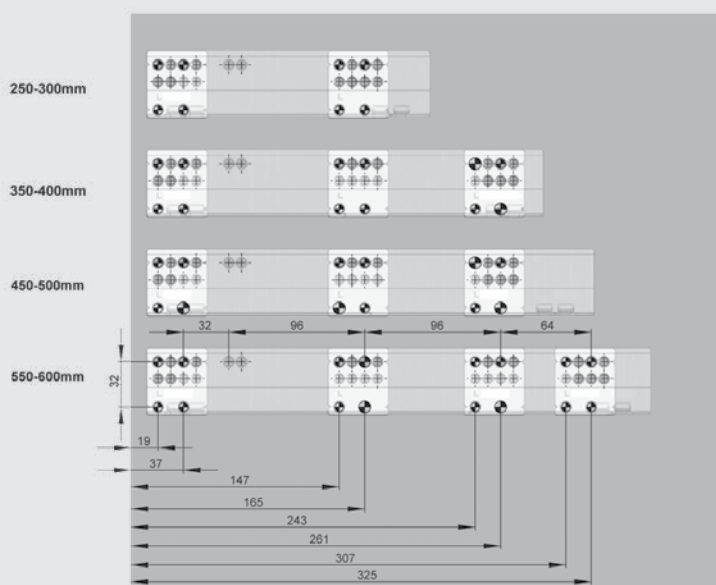


- Smart distance bracket is used for In-Box applications of Smart drawer slides.
- As fixing screw, use Ø6 mm Euro Screw
- When calculating the drawer dimensions a distance bracket thickness of S = 25 mm should be taken into account

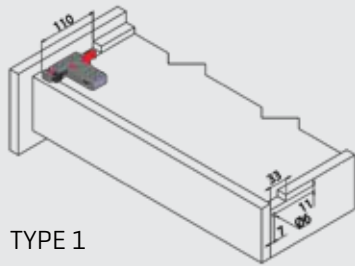


Smart Distance Bracket			
	COLOR	CODE	PACKING
Right	Grey	12790761	50 Pcs
Left	Grey	12790762	50 Pcs

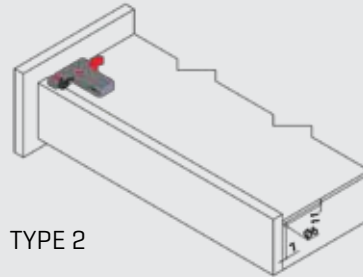
Slide Screw Location



Preparing a Drawer

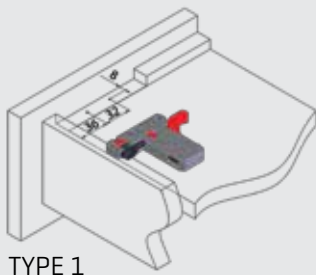


TYPE 1

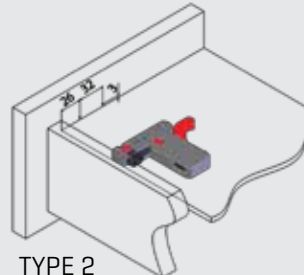


TYPE 2

Hole Axis



TYPE 1



TYPE 2

SmartLock® [smart slide]



Simply pull the latches and remove the drawer. The Smart Lock® System permits easy horizontal and vertical adjustment of the Smart Slide® drawers.

smart slide

Smart Drilling Jig



- Mark the slide's axis for screw positioning on the cabinet [see figure 1].
- Align the Smart Drill Jig according to the marked axis [see figure 2].
- The drilling jig has to be placed into the leading edge on the cabinet's inside wall. Then screwing holes with $\varnothing 2$ mm should be drilled. Euro screws require a $\varnothing 5$ mm diameter drill [see figure 3].
- Use the screw holes to mount the slide [see figure 4].



Smart Drilling Jig

	CODE	PACKING
Code No	12799902	1 Pcs
Code No (Euro Screw)	12799904	1 Pcs

Figure 1

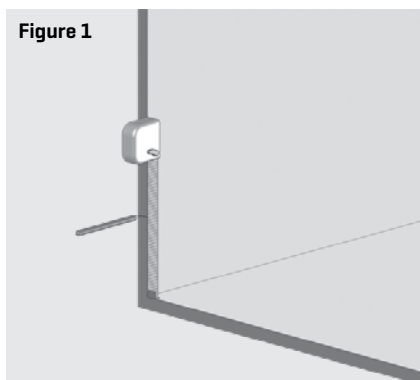


Figure 2

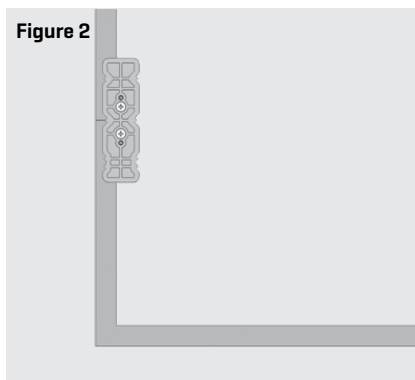


Figure 3

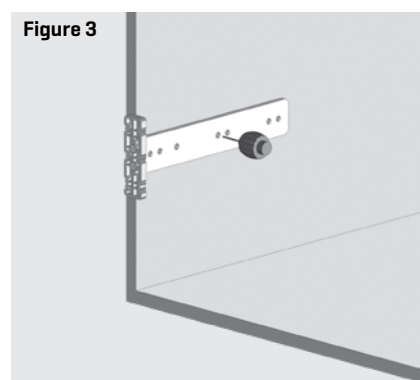
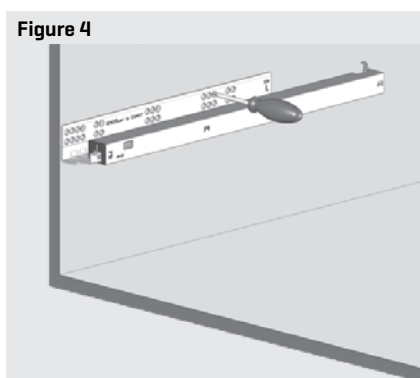
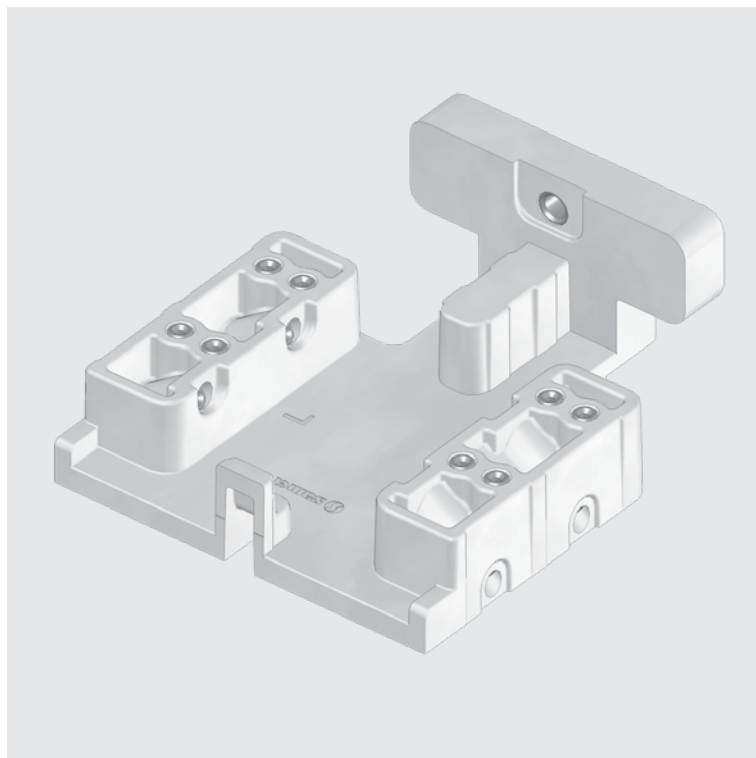
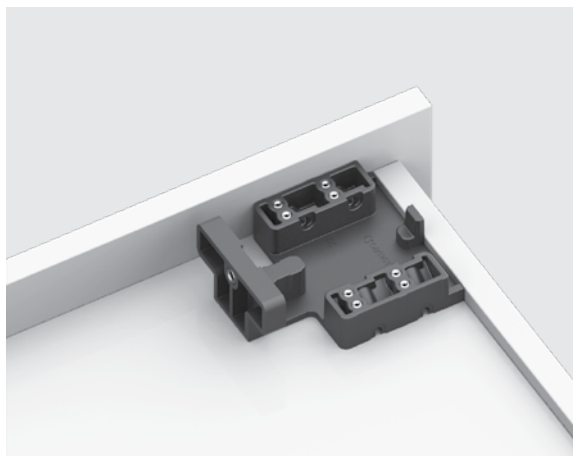


Figure 4





- To mount the Smart Slide lock (locking and adjustment mechanism) Ø2 mm diameter assembly holes are required [see figure 1 and figure 2].
- To fix the runner to the drawer (back panel) clamp holes with a drill of Ø6 mm are required [see figure 3].
- Attention: While drilling, place the assembly template on the drawer's relevant surface [see figure 1 and figure 3].

Smart Lock® Template		
	CODE	PACKING
Code No	12799903	1 Pcs-Box 10 Pcs-Crt

Figure 2

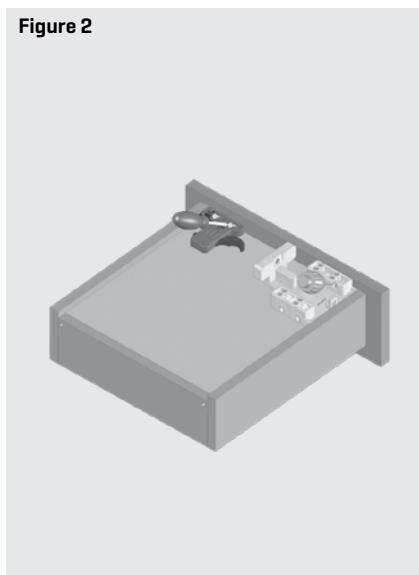


Figure 1

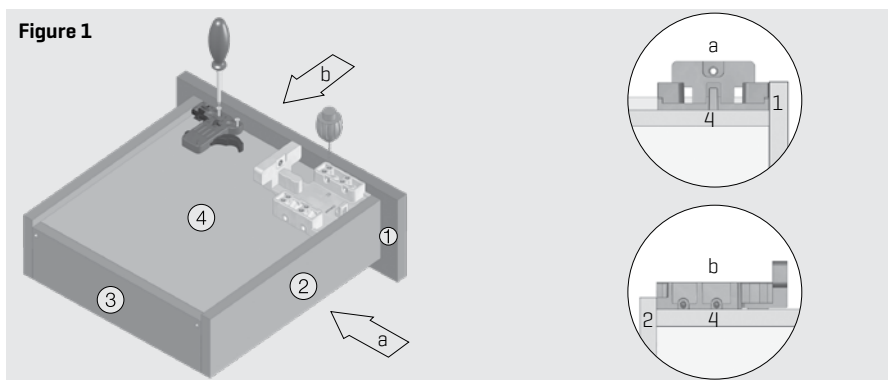
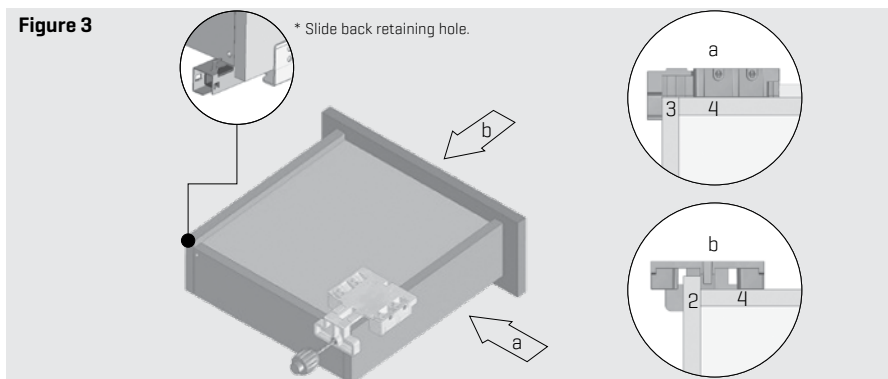


Figure 3



smart slide

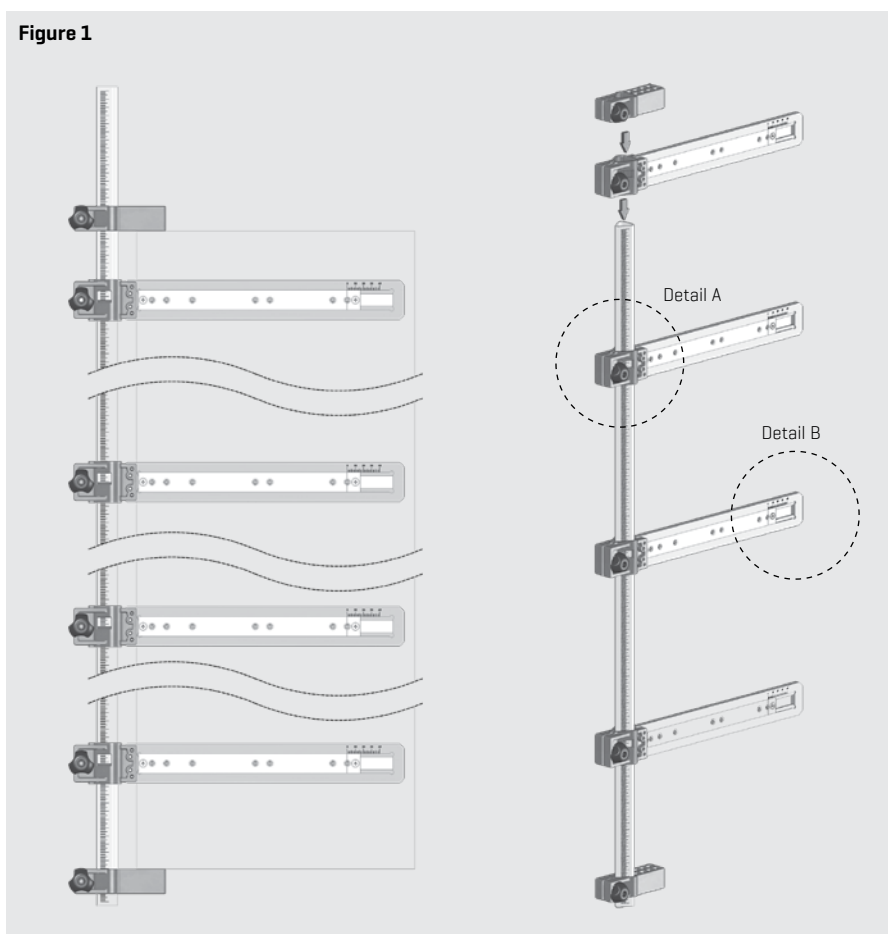
Smart Drilling Jig with Ruler

- The ruler allows to easily drill screw holes in both assembled and disassembled cabinets
[See figure 1, 2 and 3].
- When drilling slide connection holes to assembled cabinets both inside and outside surface of the cabinet bottom can be used as the reference plane
[See figure 2 and 3].
- The locking device allows the fixing of the drilling jig to the cabinet
[see Detail C].
- By moving the template, the assembling of both the normal and inside drawers can be done.
Moreover, an adjustability of up to 40 mm is provided for inside Drawers
[see Detail B]
- Assembling holes require a Ø2 mm diameter drill.

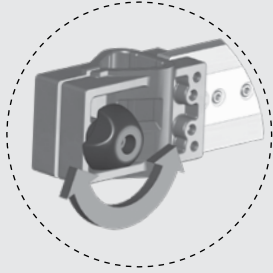


Smart Drilling Jig		
	CODE	PACKING
Code No	12799901	1 Set
Code No (Euro Screw)	12799905	1 Set

Figure 1

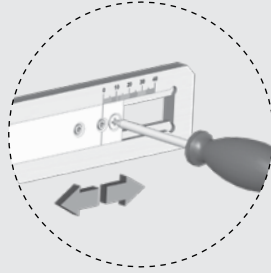


Detail A



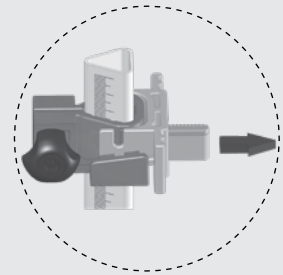
* After adjusting the desired measures on the ruler, the position is fixed by screwing the hut [see figure 1]

Detail B



* The adjustable template allows the assembling of both normal and inside Drawers.
* Scale needs to be on "0" position for normal drawers [see figure 1]

Detail C



* The drilling jig is fixed by using the locking device as indicated by the arrows [see figure 2]

Figure 2

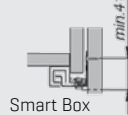
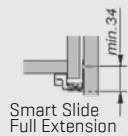
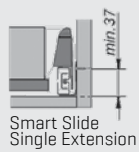
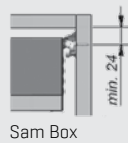
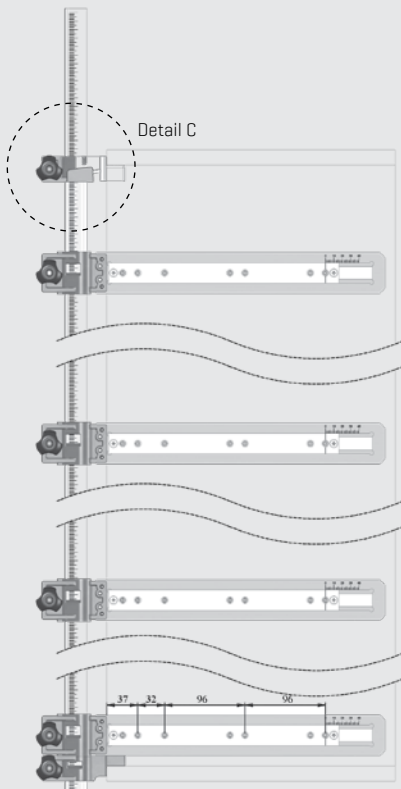
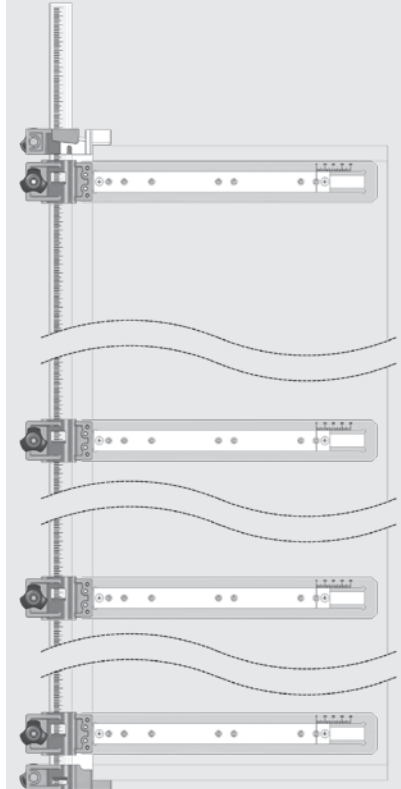


Figure 3

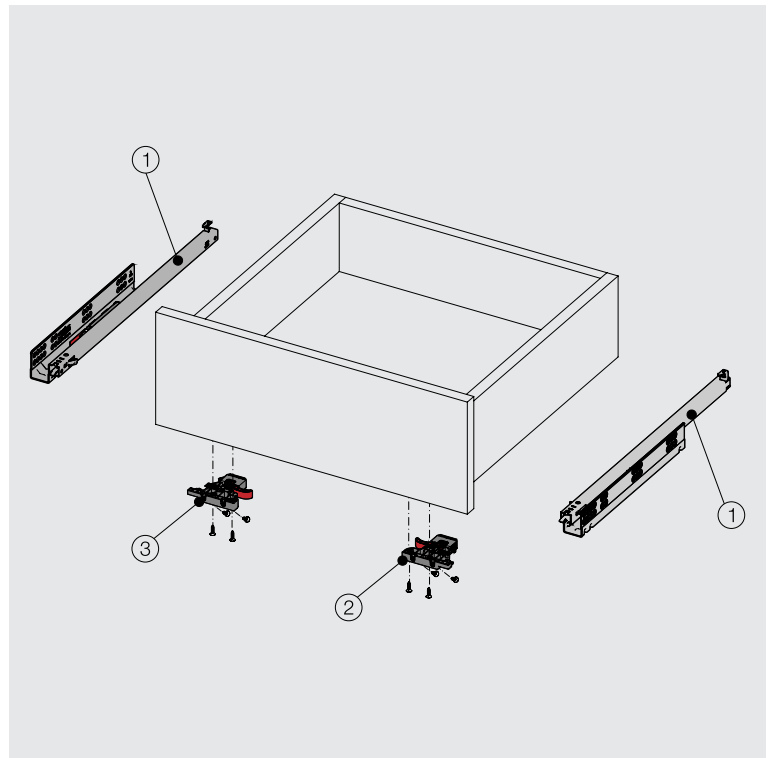


slidea

Single Extension Drawer Lock Fix [18 mm]



- Concealed, single extension slides for wooden drawers.
- Silent and gentle closing with adaptive soft close system
- Easy removal/fitting with clip system +2,5 mm up adjustment option
- Max 19 mm wooden side application
- 250/300/350/400/450/500/550/600 mm drawer length
- Long service life



1 Slidea Drawer Slide Right/Left

NOMINAL SIZE	CODE With Brake	CODE Without Brake	PACKING
250 mm	12722321	12722311	12 Set
300 mm	12722322	12722312	12 Set
350 mm	12722323	12722313	12 Set
400 mm	12722324	12722314	12 Set
450 mm	12722325	12722315	12 Set
500 mm	12722326	12722316	12 Set
550 mm	12722327	12722317	12 Set
600 mm	12722328	12722318	12 Set

2-3 Lock System Right/Left

CODE Right	CODE Left	PACKING
12790791	12790792	100 Pcs

Industrial Package With Brake

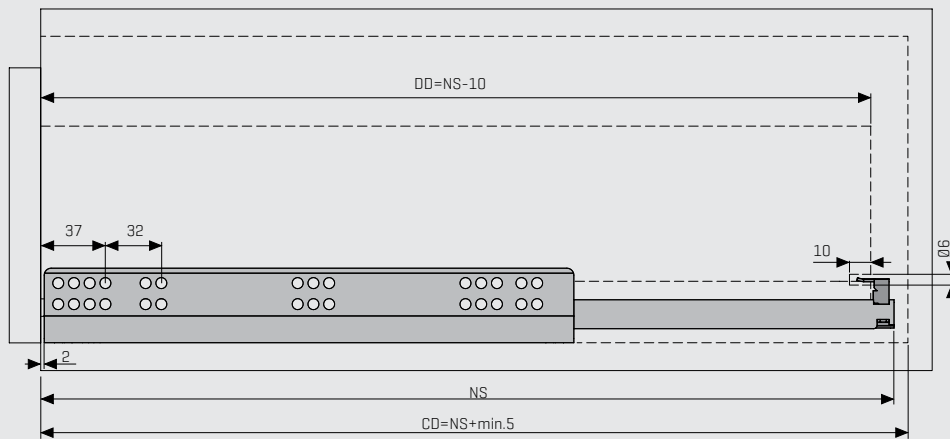
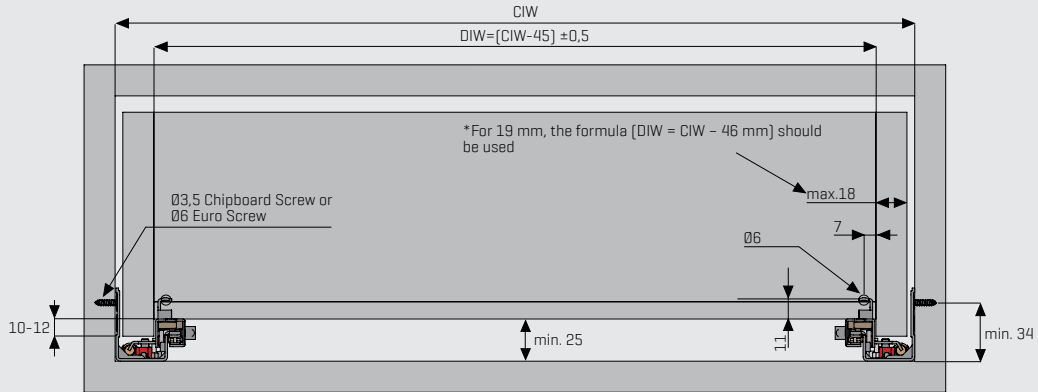
NOMINAL SIZE	CODE Right	CODE Left	PACKING
250 mm	12722351	12722361	24 Pcs
300 mm	12722352	12722362	24 Pcs
350 mm	12722353	12722363	24 Pcs
400 mm	12722354	12722364	24 Pcs
450 mm	12722355	12722365	24 Pcs
500 mm	12722356	12722366	24 Pcs
550 mm	12722357	12722367	24 Pcs
600 mm	12722358	12722368	24 Pcs

Industrial Package Without Brake

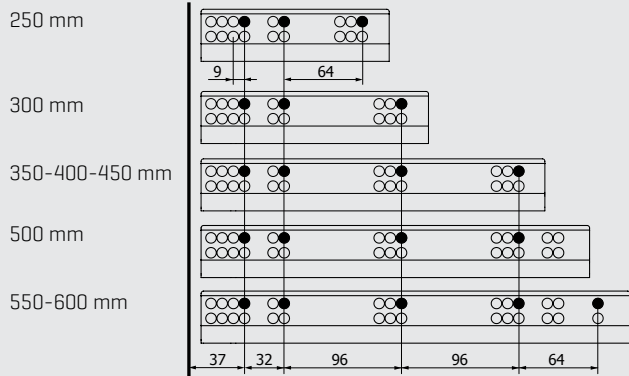
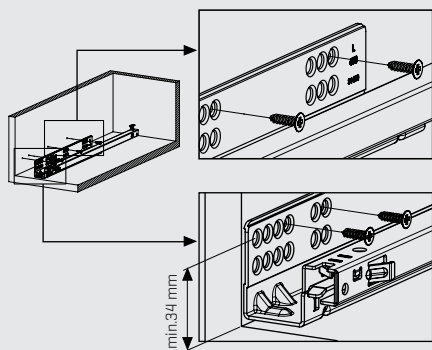
NOMINAL SIZE	CODE Right	CODE Left	PACKING
250 mm	12722331	12722341	24 Pcs
300 mm	12722332	12722342	24 Pcs
350 mm	12722333	12722343	24 Pcs
400 mm	12722334	12722344	24 Pcs
450 mm	12722335	12722345	24 Pcs
500 mm	12722336	12722346	24 Pcs
550 mm	12722337	12722347	24 Pcs
600 mm	12722338	12722348	24 Pcs

Dynamic loading capacity: 25 kg

Drawer and Cabinet Dimensions



Screw Locations for Slides



- CD Cabinet Depth
- CIW Cabinet Internal Width
- NS Nominal Size
- DIW Drawer Internal Width
- DD Drawer Depth

Recommended Screws For Rail Assembly for Assembly

Ø3,5x16 mm Chipboard Screw



Ø6,1x11,5 mm Euro Screw



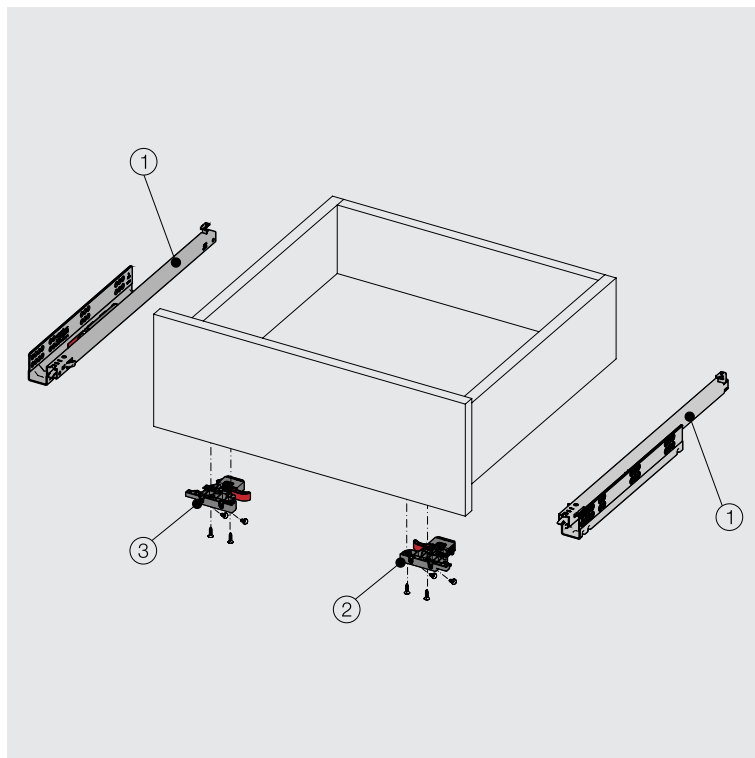
* All dimensions in the diagram are in mm

slidea

Single Extension Drawer Lock Fix [16 mm]



- Concealed, single extension slides for wooden drawers.
- Silent and gentle closing with adaptive soft close system
- Easy removal/fitting with clip system +2,5 mm up adjustment option
- Max 16 mm wooden side application
- 250/300/350/400/450/500/550/600 mm drawer length
- Long service life



1 Slide Drawer Slide Right/Left			
NOMINAL SIZE	CODE With Brake	CODE Without Brake	PACKING
250 mm	12722821	12722811	12 Set
300 mm	12722822	12722812	12 Set
350 mm	12722823	12722813	12 Set
400 mm	12722824	12722814	12 Set
450 mm	12722825	12722815	12 Set
500 mm	12722826	12722816	12 Set
550 mm	12722827	12722817	12 Set
600 mm	12722828	12722818	12 Set

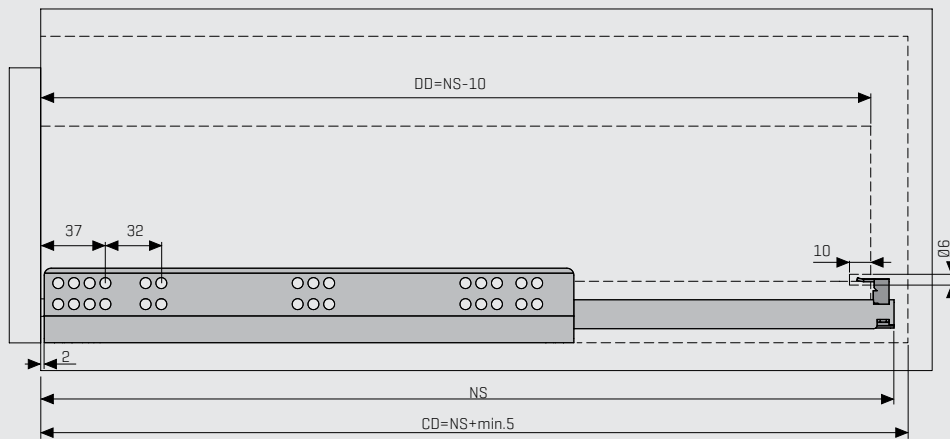
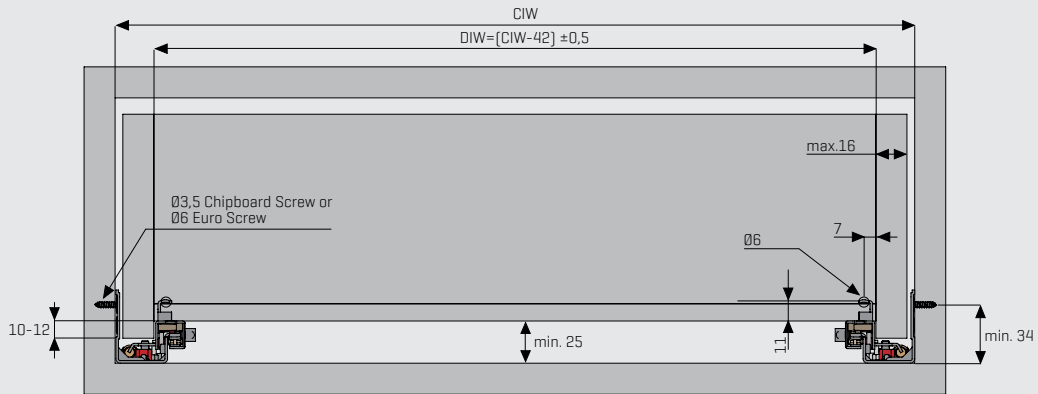
2-3 Lock System Right/Left		
CODE Right	CODE Left	PACKING
12790791	12790792	100 Pcs

Industrial Package With Brake			
NOMINAL SIZE	CODE Right	CODE Left	PACKING
250 mm	12722851	12722861	24 Pcs
300 mm	12722852	12722862	24 Pcs
350 mm	12722853	12722863	24 Pcs
400 mm	12722854	12722864	24 Pcs
450 mm	12722855	12722865	24 Pcs
500 mm	12722856	12722866	24 Pcs
550 mm	12722857	12722867	24 Pcs
600 mm	12722858	12722868	24 Pcs

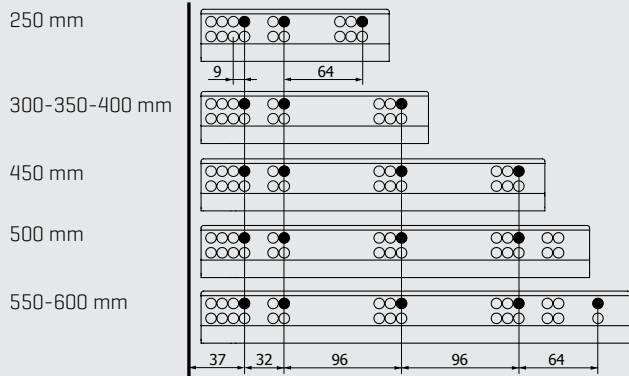
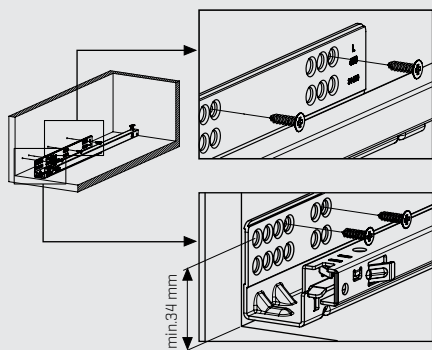
Industrial Package Without Brake			
NOMINAL SIZE	CODE Right	CODE Left	PACKING
250 mm	12722831	12722841	24 Pcs
300 mm	12722832	12722842	24 Pcs
350 mm	12722833	12722843	24 Pcs
400 mm	12722834	12722844	24 Pcs
450 mm	12722835	12722845	24 Pcs
500 mm	12722836	12722846	24 Pcs
550 mm	12722837	12722847	24 Pcs
600 mm	12722838	12722848	24 Pcs

Dynamic loading capacity: 25 kg

Drawer and Cabinet Dimensions



Screw Locations for Slides



- CD Cabinet Depth
- CIW Cabinet Internal Width
- NS Nominal Size
- DIW Drawer Internal Width
- DD Drawer Depth

Recommended Screws For Rail Assembly for Assembly

$\emptyset 3,5 \times 16$ mm Chipboard Screw



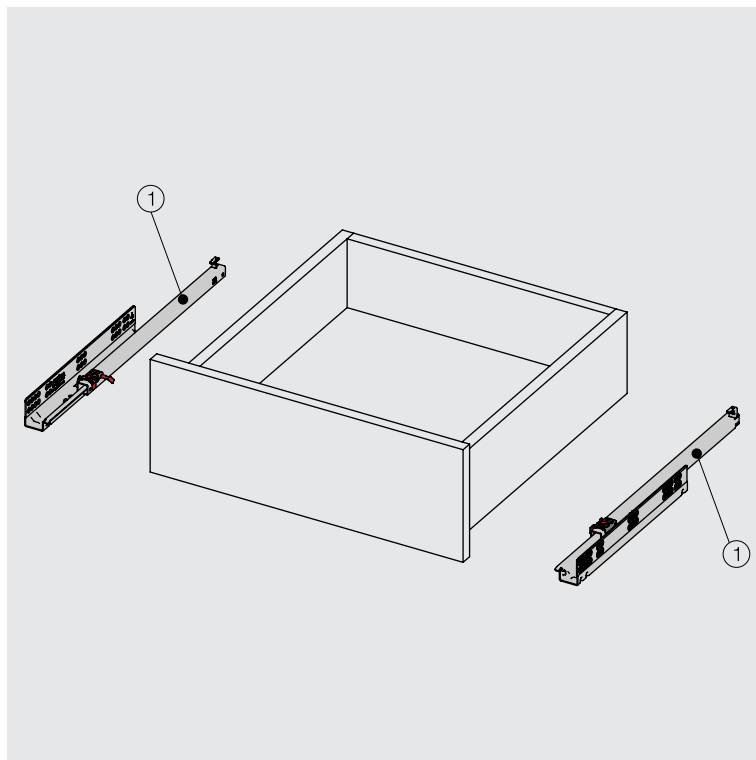
$\emptyset 6,1 \times 11,5$ mm Euro Screw



* All dimensions in the diagram are in mm

slidea

Single Extension Drawer Pin Fix [18 mm]

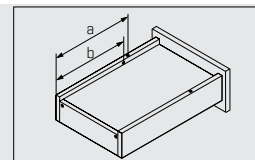
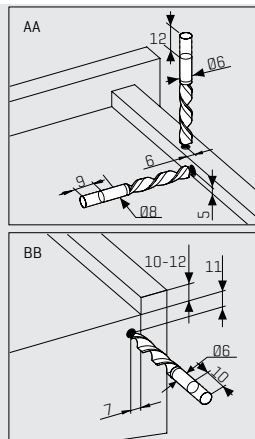
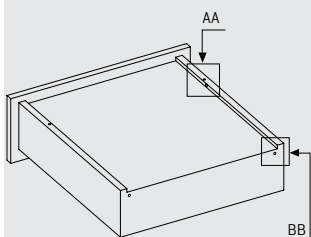


- Concealed, single extension slides for wooden drawers.
- Silent and gentle closing with adaptive soft close system +2,5 mm up adjustment option.
- Max 19 mm wooden side application.
- 260/285/310/335/360/385/410/435/460/485/510/535/560 mm drawer length.
- Long service life.

1 Slidea Drawer Slide Right/Left			
NOMINAL SIZE	CODE With Brake	CODE Without Brake	PACKING
260 mm	1272272260	1272271260	12 Set
285 mm	1272272285	1272271285	12 Set
310 mm	1272272310	1272271310	12 Set
335 mm	1272272335	1272271335	12 Set
360 mm	1272272360	1272271360	12 Set
385 mm	1272272385	1272271385	12 Set
410 mm	1272272410	1272271410	12 Set
435 mm	1272272435	1272271435	12 Set
460 mm	1272272460	1272271460	12 Set
485 mm	1272272485	1272271485	12 Set
510 mm	1272272510	1272271510	12 Set
535 mm	1272272535	1272271535	12 Set
560 mm	1272272560	1272271560	12 Set

Drawer Dimensions

You should drill the holes before drawer's assembly.



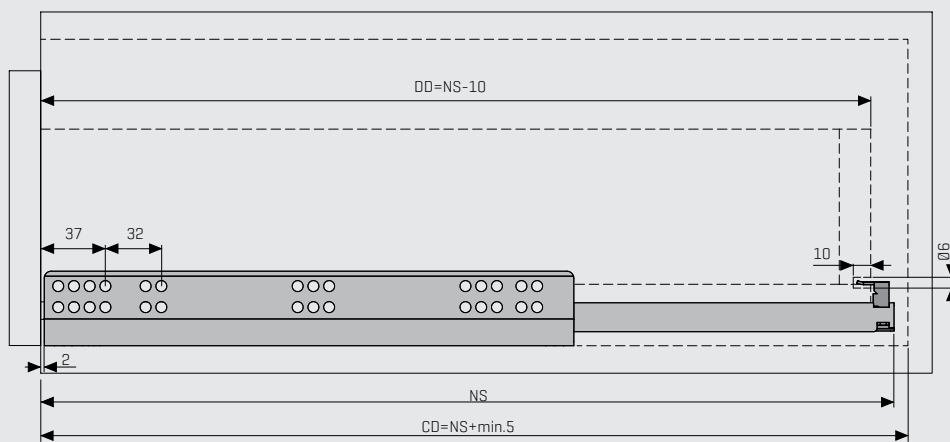
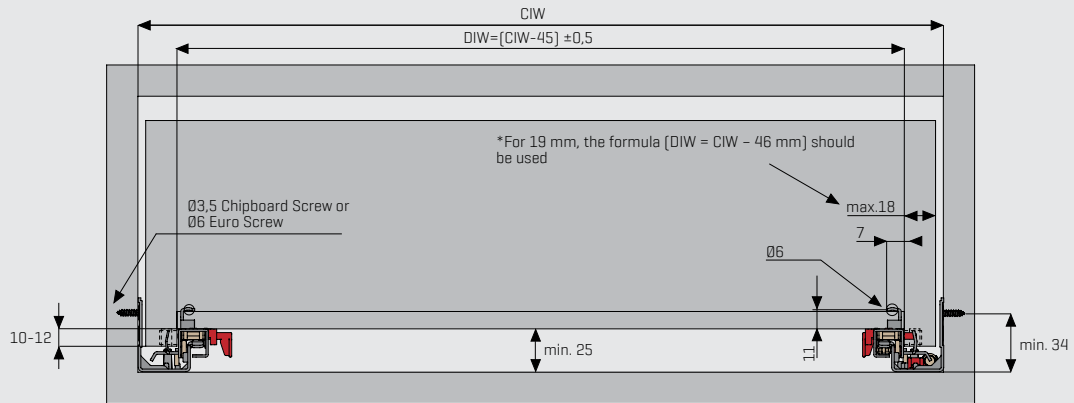
Nominal Size NS (mm)	Fitting Pins a (mm)	Exit Safety b (mm)
260	205	185
285	220	200
310	230	210
335	245	225
360	275	255
385	285	265
410	300	280
435	310	290
460	335	315
485	350	330
510	360	340
535	375	355
560	405	385

Industrial Package With Brake				
NOMINAL SIZE	CODE Right	CODE Left	PACKING	
260 mm	1272275260	1272276260	24 Pcs	
285 mm	1272275285	1272276285	24 Pcs	
310 mm	1272275310	1272276310	24 Pcs	
335 mm	1272275335	1272276335	24 Pcs	
360 mm	1272275360	1272276360	24 Pcs	
385 mm	1272275385	1272276385	24 Pcs	
410 mm	1272275410	1272276410	24 Pcs	
435 mm	1272275435	1272276435	24 Pcs	
460 mm	1272275460	1272276460	24 Pcs	
485 mm	1272275485	1272276485	24 Pcs	
510 mm	1272275510	1272276510	24 Pcs	
535 mm	1272275535	1272276535	24 Pcs	
560 mm	1272275560	1272276560	24 Pcs	

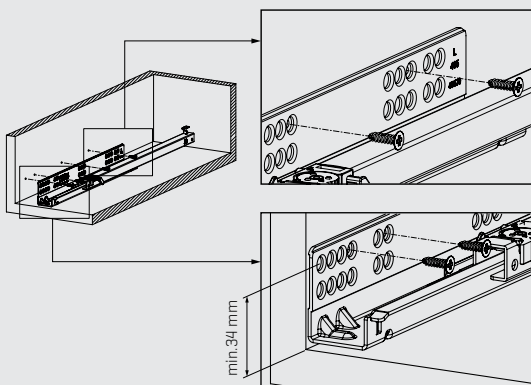
Industrial Package Without Brake				
NOMINAL SIZE	CODE Right	CODE Left	PACKING	
260 mm	1272273260	1272274260	24 Pcs	
285 mm	1272273285	1272274285	24 Pcs	
310 mm	1272273310	1272274310	24 Pcs	
335 mm	1272273335	1272274335	24 Pcs	
360 mm	1272273360	1272274360	24 Pcs	
385 mm	1272273385	1272274385	24 Pcs	
410 mm	1272273410	1272274410	24 Pcs	
435 mm	1272273435	1272274435	24 Pcs	
460 mm	1272273460	1272274460	24 Pcs	
485 mm	1272273485	1272274485	24 Pcs	
510 mm	1272273510	1272274510	24 Pcs	
535 mm	1272273535	1272274535	24 Pcs	
560 mm	1272273560	1272274560	24 Pcs	

Dynamic loading capacity: 25 kg

Drawer and Cabinet Dimensions



Screw Locations for Slides



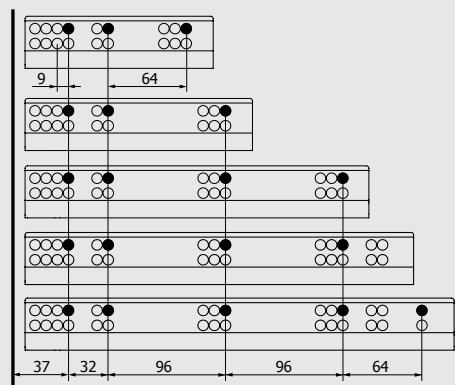
260 mm

285-310-335
360-385-410 mm

435-460 mm

485-510 mm

535-560 mm



- CD Cabinet Depth
- CIW Cabinet Internal Width
- NS Nominal Size
- DIW Drawer Internal Width
- DD Drawer Depth

Recommended Screws For Rail Assembly for Assembly

Ø3,5x16 mm Chipboard Screw



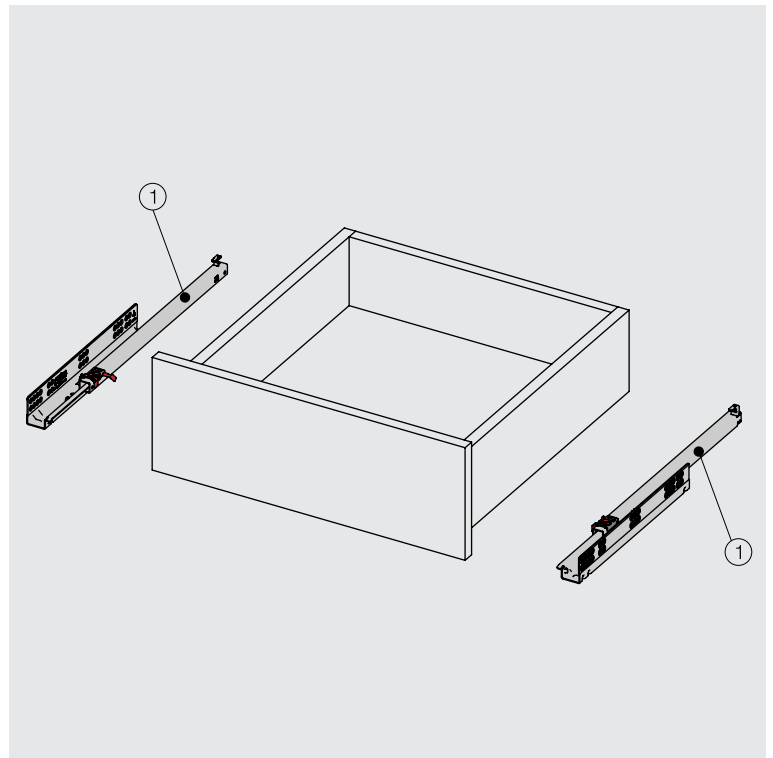
Ø6,1x11,5 mm Euro Screw



* All dimensions in the diagram are in mm

slidea

Single Extension Drawer Pin Fix [16 mm]



- Concealed, single extension slides for wooden drawers.
- Silent and gentle closing with adaptive soft close system +2,5 mm up adjustment option.
- Max 16 mm wooden side application.
- 260/285/310/335/360/385/410/435/460/485/510/535/560 mm drawer length.
- Long service life.

1 Slidea Drawer Slide Right/Left			
NOMINAL SIZE	CODE With Brake	CODE Without Brake	PACKING
260 mm	1272292260	1272291260	12 Set
285 mm	1272292285	1272291285	12 Set
310 mm	1272292310	1272291310	12 Set
335 mm	1272292335	1272291335	12 Set
360 mm	1272292360	1272291360	12 Set
385 mm	1272292385	1272291385	12 Set
410 mm	1272292410	1272291410	12 Set
435 mm	1272292435	1272291435	12 Set
460 mm	1272292460	1272291460	12 Set
485 mm	1272292485	1272291485	12 Set
510 mm	1272292510	1272291510	12 Set
535 mm	1272292535	1272291535	12 Set
560 mm	1272292560	1272291560	12 Set

Drawer Dimensions

You should drill the holes before drawer's assembly.

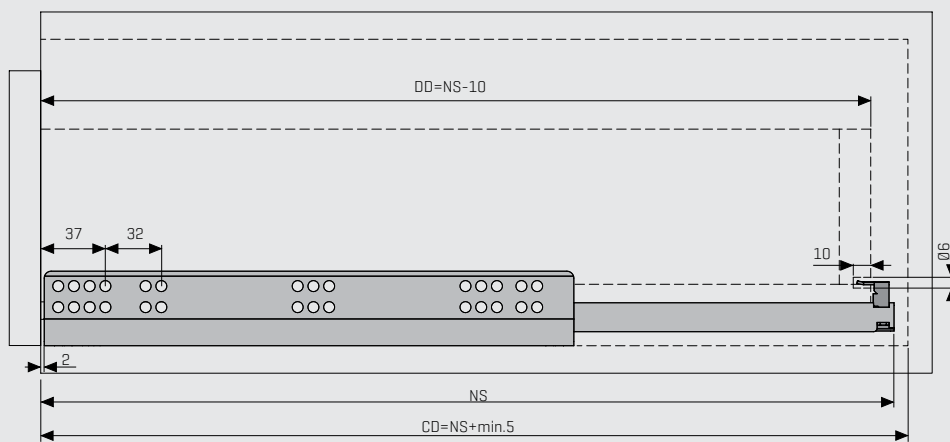
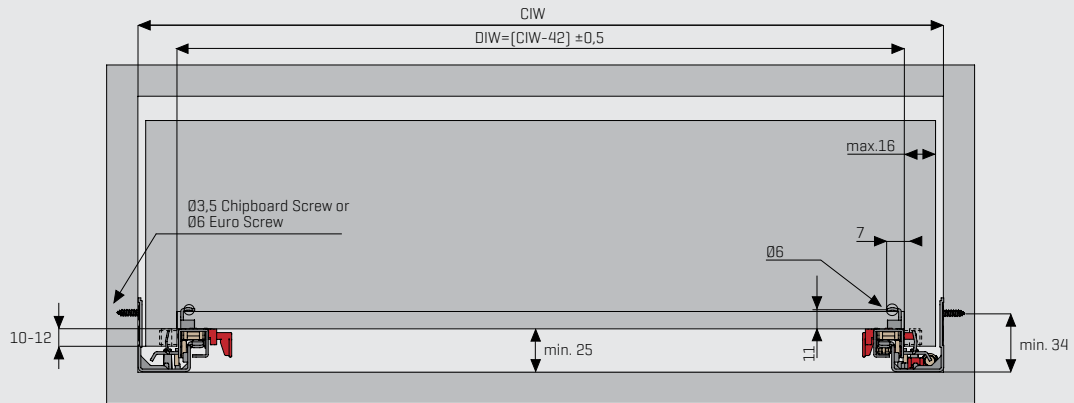
Nominal Size NS (mm)	Fitting Pins a (mm)	Safety Pins b (mm)
260	205	185
285	220	200
310	230	210
335	245	225
360	275	255
385	285	265
410	300	280
435	310	290
460	335	315
485	350	330
510	360	340
535	375	355
560	405	

Industrial Package With Brake			
NOMINAL SIZE	CODE Right	CODE Left	PACKING
260 mm	1272295260	1272296260	24 Pcs
285 mm	1272295285	1272296285	24 Pcs
310 mm	1272295310	1272296310	24 Pcs
335 mm	1272295335	1272296335	24 Pcs
360 mm	1272295360	1272296360	24 Pcs
385 mm	1272295385	1272296385	24 Pcs
410 mm	1272295410	1272296410	24 Pcs
435 mm	1272295435	1272296435	24 Pcs
460 mm	1272295460	1272296460	24 Pcs
485 mm	1272295485	1272296485	24 Pcs
510 mm	1272295510	1272296510	24 Pcs
535 mm	1272295535	1272296535	24 Pcs
560 mm	1272295560	1272296560	24 Pcs

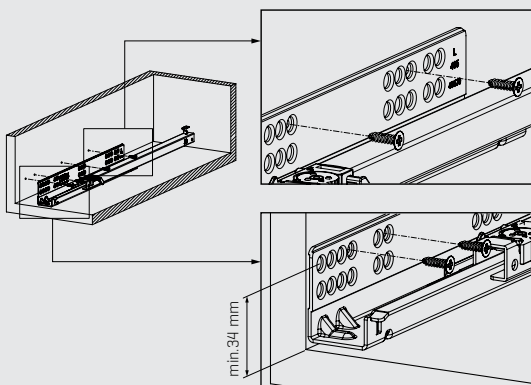
Industrial Package Without Brake			
NOMINAL SIZE	CODE Right	CODE Left	PACKING
260 mm	1272293260	1272294260	24 Pcs
285 mm	1272293285	1272294285	24 Pcs
310 mm	1272293310	1272294310	24 Pcs
335 mm	1272293335	1272294335	24 Pcs
360 mm	1272293360	1272294360	24 Pcs
385 mm	1272293385	1272294385	24 Pcs
410 mm	1272293410	1272294410	24 Pcs
435 mm	1272293435	1272294435	24 Pcs
460 mm	1272293460	1272294460	24 Pcs
485 mm	1272293485	1272294485	24 Pcs
510 mm	1272293510	1272294510	24 Pcs
535 mm	1272293535	1272294535	24 Pcs
560 mm	1272293560	1272294560	24 Pcs

Dynamic loading capacity: 25 kg

Drawer and Cabinet Dimensions



Screw Locations for Slides



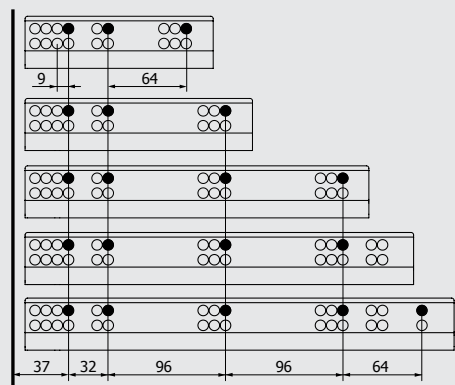
260 mm

285-310-335
 360-385-410 mm

435-460 mm

485-510 mm

535-560 mm



CD Cabinet Depth
 CIW Cabinet Internal Width
 NS Nominal Size
 DIW Drawer Internal Width
 DD Drawer Depth

Recommended Screws For Rail Assembly for Assembly

Ø3,5x16 mm Chipboard Screw



Ø6,1x11,5 mm Euro Screw



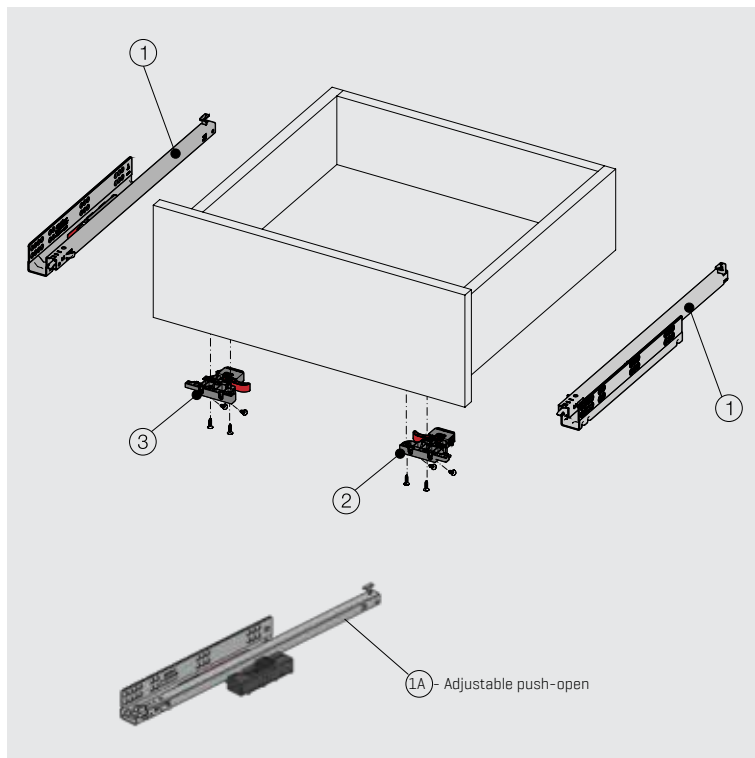
* All dimensions in the diagram are in mm

slidea

Push-Open Single Extension Drawer Lock Fix [18 mm]



- Concealed, single extension slides for wooden drawers.
- Easy removal/fitting with clip system
- +2,5mm up adjustment option with clip system.
- Adjustable version [1A]; 3 mm backward and forward adjustment is enabled by screw on Push-Open mechanism.
- Max 19 mm wooden side application.
- 250/300/350/400/450/500/550/600 mm drawer length.
- Long service life.



1, 1A		Slidea Drawer Slide Right/Left	
NOMINAL SIZE	CODE	CODE ADJUSTABLE	PACKING
250 mm	12723411	12723611	12 Set
300 mm	12723412	12723612	12 Set
350 mm	12723413	12723613	12 Set
400 mm	12723414	12723614	12 Set
450 mm	12723415	12723615	12 Set
500 mm	12723416	12723616	12 Set
550 mm	12723417	12723617	12 Set
600 mm	12723418	12723618	12 Set

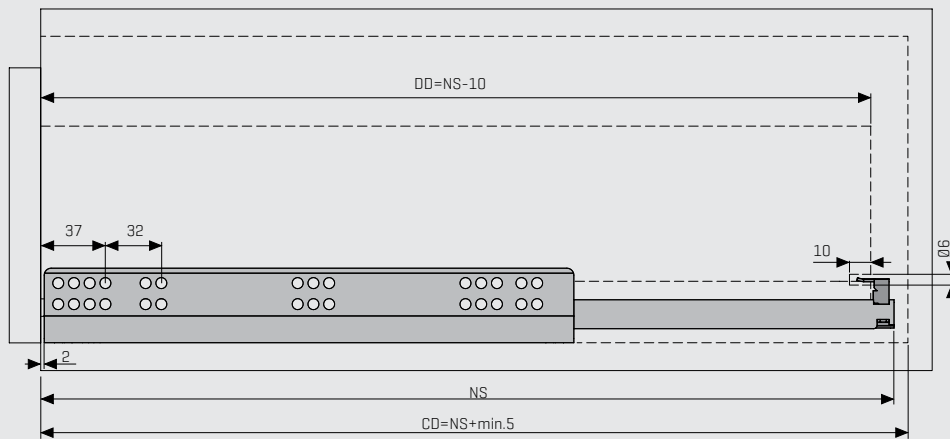
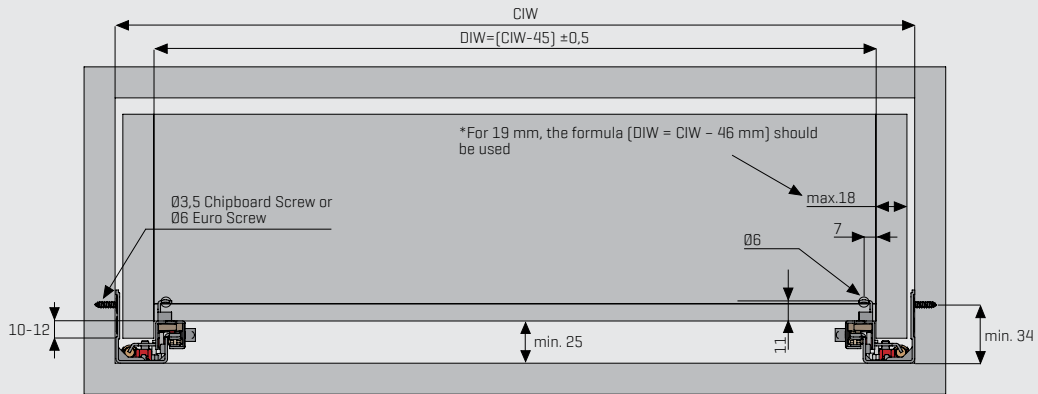
2-3		Lock System Right/Left	
	CODE Right	CODE Left	PACKING
	12790791	12790792	100 Pcs

Industrial Package			
NOMINAL SIZE	CODE Right	CODE Left	PACKING
250 mm	12723421	12723431	24 Pcs
300 mm	12723422	12723432	24 Pcs
350 mm	12723423	12723433	24 Pcs
400 mm	12723424	12723434	24 Pcs
450 mm	12723425	12723435	24 Pcs
500 mm	12723426	12723436	24 Pcs
550 mm	12723427	12723437	24 Pcs
600 mm	12723428	12723438	24 Pcs

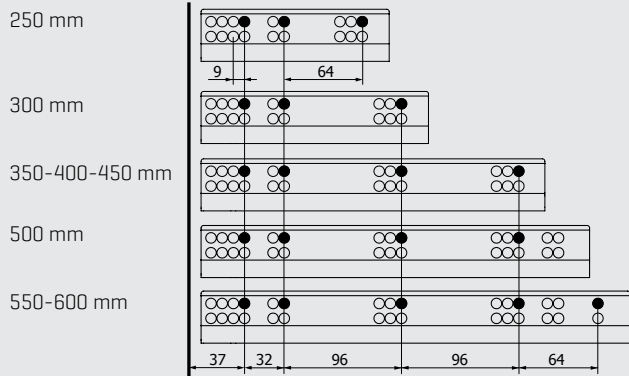
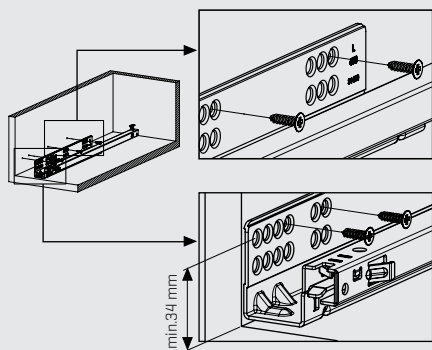
1A Industrial Package			
NOMINAL SIZE	CODE Adjustable right	CODE Adjustable left	PACKING
250 mm	12723621	12723631	24 Pcs
300 mm	12723622	12723632	24 Pcs
350 mm	12723623	12723633	24 Pcs
400 mm	12723624	12723634	24 Pcs
450 mm	12723625	12723635	24 Pcs
500 mm	12723626	12723636	24 Pcs
550 mm	12723627	12723637	24 Pcs
600 mm	12723628	12723638	24 Pcs

Dynamic loading capacity: 25 kg

Drawer and Cabinet Dimensions



Screw Locations for Slides



- CD Cabinet Depth
- CIW Cabinet Internal Width
- NS Nominal Size
- DIW Drawer Internal Width
- DD Drawer Depth

Recommended Screws For Rail Assembly for Assembly

$\varnothing 3,5 \times 16$ mm Chipboard Screw



$\varnothing 6,1 \times 11,5$ mm Euro Screw



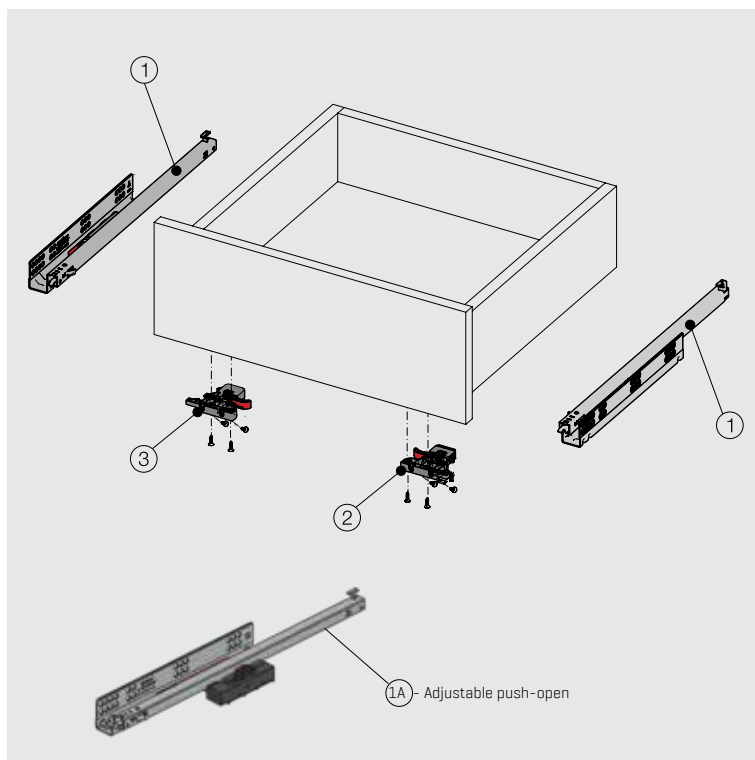
* All dimensions in the diagram are in mm

slidea

Push-Open Single Extension Drawer Lock Fix (16 mm)



- Concealed, single extension slides for wooden drawers.
- Easy removal/fitting with clip system
- +2,5mm up adjustment option with clip system.
- Adjustable version [1A]; 3 mm backward and forward adjustment is enabled by screw on Push-Open mechanism.
- Max 16 mm wooden side application.
- 250/300/350/400/450/500/550/600 mm drawer length.
- Long service life.



1, 1A		Slidea Drawer Slide Right/Left	
NOMINAL SIZE	CODE	CODE ADJUSTABLE	PACKING
250 mm	12723511	12723711	12 Set
300 mm	12723512	12723712	12 Set
350 mm	12723513	12723713	12 Set
400 mm	12723514	12723714	12 Set
450 mm	12723515	12723715	12 Set
500 mm	12723516	12723716	12 Set
550 mm	12723517	12723717	12 Set
600 mm	12723518	12723718	12 Set

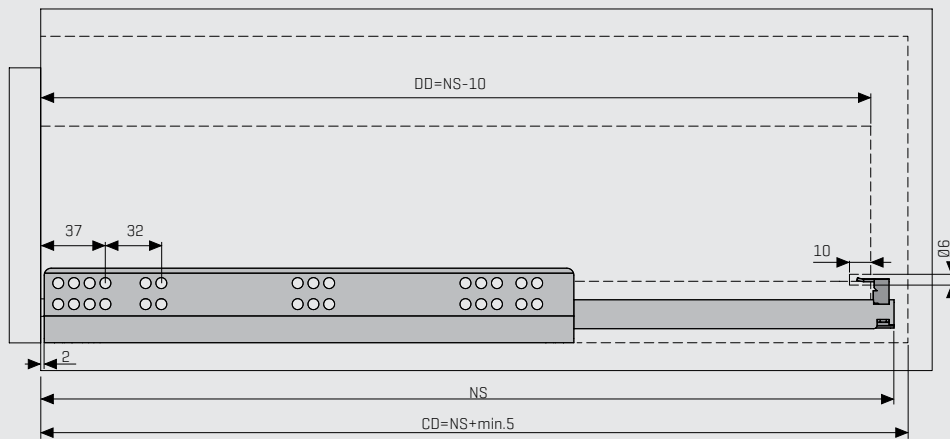
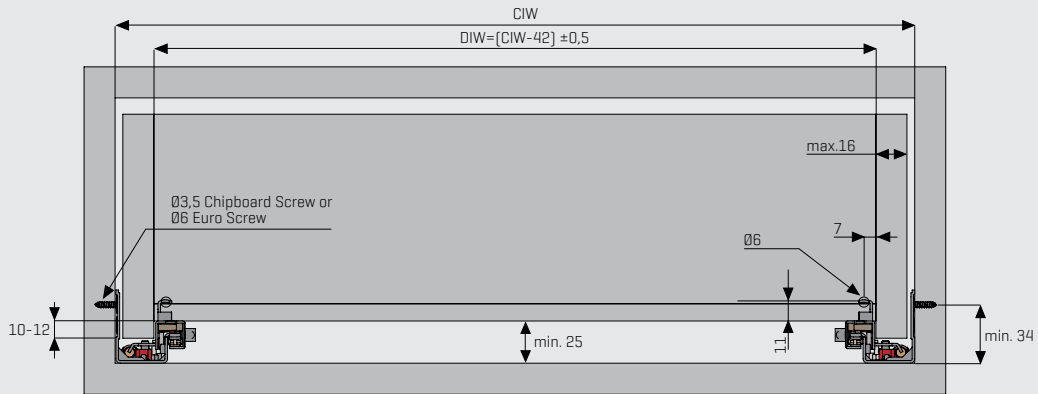
2-3		Lock System Right/Left	
CODE Right	CODE Left	PACKING	
12790791	12790792	100 Pcs	

Industrial Package			
NOMINAL SIZE	CODE Right	CODE Left	PACKING
250 mm	12723521	12723531	24 Pcs
300 mm	12723522	12723532	24 Pcs
350 mm	12723523	12723533	24 Pcs
400 mm	12723524	12723534	24 Pcs
450 mm	12723525	12723535	24 Pcs
500 mm	12723526	12723536	24 Pcs
550 mm	12723527	12723537	24 Pcs
600 mm	12723528	12723538	24 Pcs

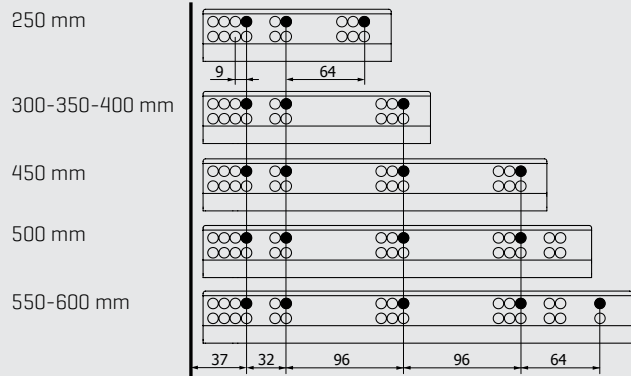
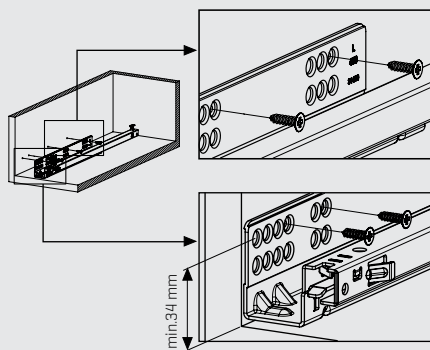
1A Industrial Package			
NOMINAL SIZE	CODE Adjustable right	CODE Adjustable left	PACKING
250 mm	12723721	12723731	24 Pcs
300 mm	12723722	12723732	24 Pcs
350 mm	12723723	12723733	24 Pcs
400 mm	12723724	12723734	24 Pcs
450 mm	12723725	12723735	24 Pcs
500 mm	12723726	12723736	24 Pcs
550 mm	12723727	12723737	24 Pcs
600 mm	12723728	12723738	24 Pcs

Dynamic loading capacity: 25 kg

Drawer and Cabinet Dimensions



Screw Locations for Slides



CD Cabinet Depth
 CIW Cabinet Internal Width
 NS Nominal Size
 DIW Drawer Internal Width
 DD Drawer Depth

Recommended Screws For Rail Assembly for Assembly

Ø3,5x16 mm Chipboard Screw



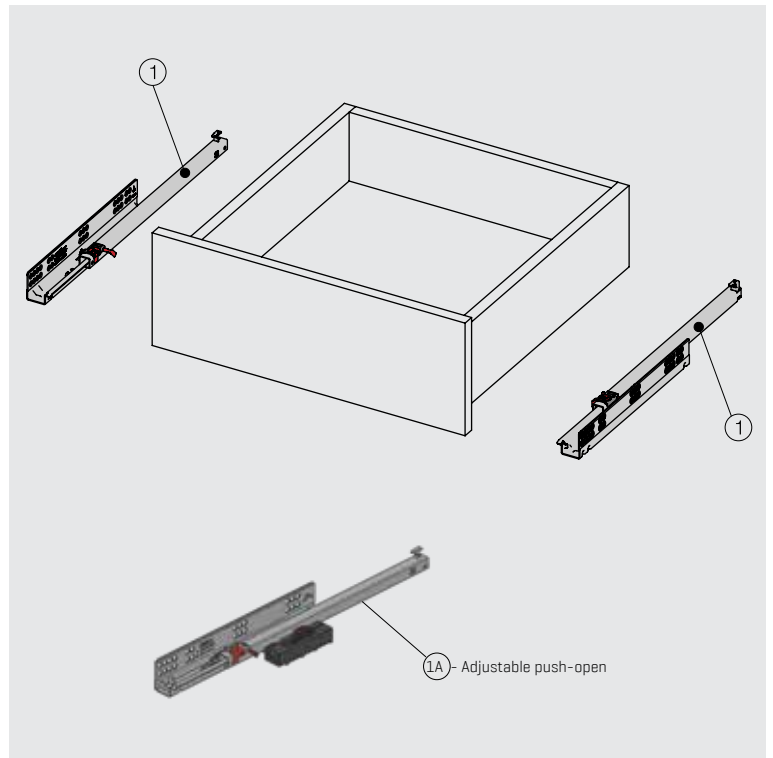
Ø6,1x11,5 mm Euro Screw



* All dimensions in the diagram are in mm

slidea

Push-Open Single Extension Drawer Pin Fix [18 mm]



- Concealed, single extension slides for wooden drawers.
- +2,5 mm up adjustment option.
- Adjustable version [1A]; 3 mm backward and forward adjustment is enabled by screw on Push-Open mechanism.
- Max 19 mm wooden side application.
- 260/285/310/335/360/385/410/435/460/485/510/535/560 mm drawer length.
- Long service life.

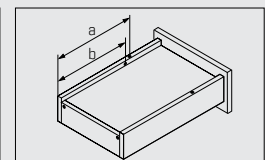
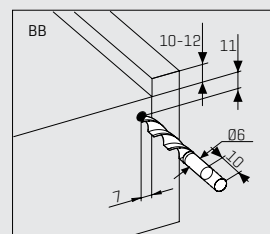
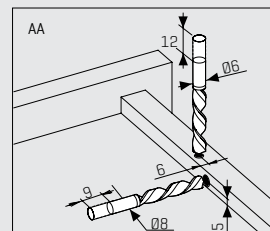
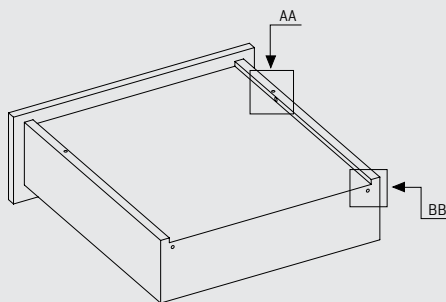
1, 1A		Slidea Drawer Slide	
		Right/Left	
NOMINAL SIZE	CODE	CODE ADJUSTABLE	PACKING
260 mm	1272344260	1272364260	12 Set
285 mm	1272344285	1272364285	12 Set
310 mm	1272344310	1272364310	12 Set
335 mm	1272344335	1272364335	12 Set
360 mm	1272344360	1272364360	12 Set
385 mm	1272344385	1272364385	12 Set
410 mm	1272344410	1272364410	12 Set
435 mm	1272344435	1272364435	12 Set
460 mm	1272344460	1272364460	12 Set
485 mm	1272344485	1272364485	12 Set
510 mm	1272344510	1272364510	12 Set
535 mm	1272344535	1272364535	12 Set
560 mm	1272344560	1272364560	12 Set

1		Industrial Package	
		Right	Left
NOMINAL SIZE	CODE	CODE	PACKING
260 mm	1272345260	1272346260	24 Pcs
285 mm	1272345285	1272346285	24 Pcs
310 mm	1272345310	1272346310	24 Pcs
335 mm	1272345335	1272346335	24 Pcs
360 mm	1272345360	1272346360	24 Pcs
385 mm	1272345385	1272346385	24 Pcs
410 mm	1272345410	1272346410	24 Pcs
435 mm	1272345435	1272346435	24 Pcs
460 mm	1272345460	1272346460	24 Pcs
485 mm	1272345485	1272346485	24 Pcs
510 mm	1272345510	1272346510	24 Pcs
535 mm	1272345535	1272346535	24 Pcs
560 mm	1272345560	1272346560	24 Pcs

1A		Industrial Package	
		Right	Left
NOMINAL SIZE	CODE	CODE	PACKING
260 mm	1272365260	1272366260	24 Pcs
285 mm	1272365285	1272366285	24 Pcs
310 mm	1272365310	1272366310	24 Pcs
335 mm	1272365335	1272366335	24 Pcs
360 mm	1272365360	1272366360	24 Pcs
385 mm	1272365385	1272366385	24 Pcs
410 mm	1272365410	1272366410	24 Pcs
435 mm	1272365435	1272366435	24 Pcs
460 mm	1272365460	1272366460	24 Pcs
485 mm	1272365485	1272366485	24 Pcs
510 mm	1272365510	1272366510	24 Pcs
535 mm	1272365535	1272366535	24 Pcs
560 mm	1272365560	1272366560	24 Pcs

Drawer Dimensions

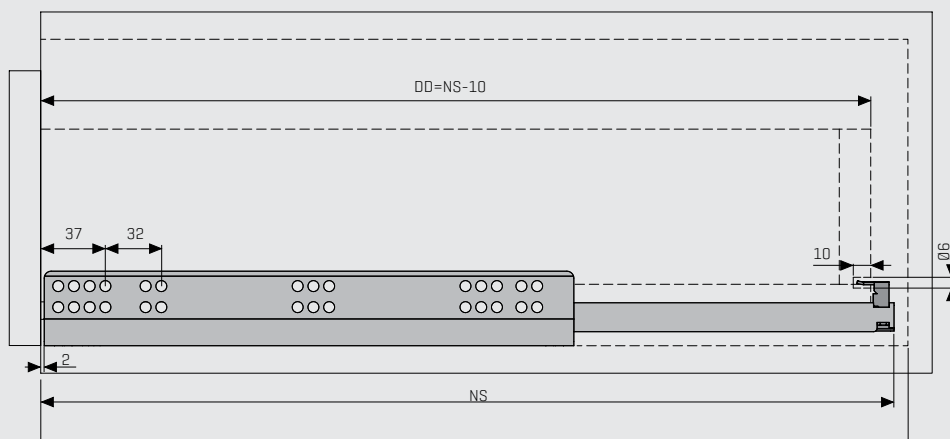
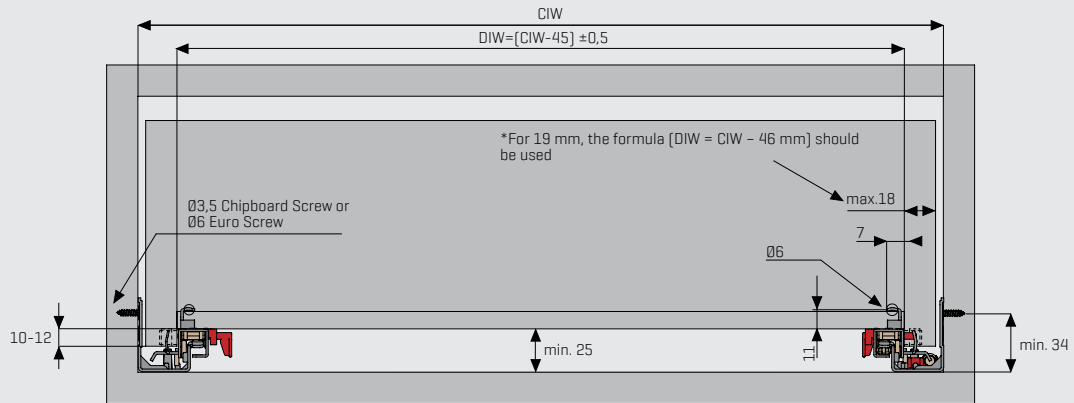
You should drill the holes before drawer's assembly.



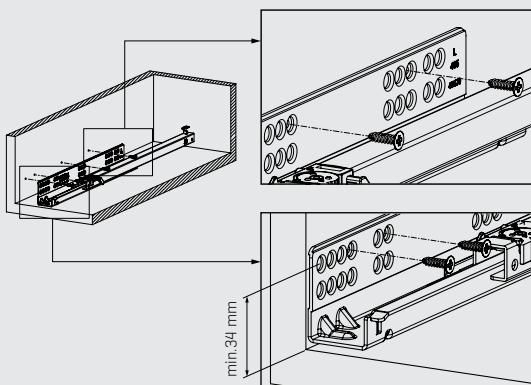
Nominal Size NS (mm)	Fitting Pins a (mm)	Safety Pins b (mm)
260	205	185
285	220	200
310	230	210
335	245	225
360	275	255
385	285	265
410	300	280
435	310	290
460	335	315
485	350	330
510	360	340
535	375	355
560	405	385

Dynamic loading capacity: 25 kg

Drawer and Cabinet Dimensions



Screw Locations for Slides



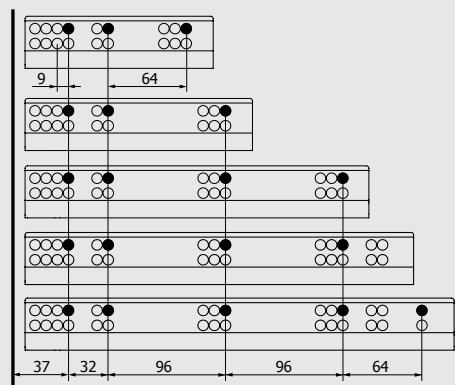
260 mm

285-310-335
360-385-410 mm

435-460 mm

485-510 mm

535-560 mm



- CD Cabinet Depth
- CIW Cabinet Internal Width
- NS Nominal Size
- DIW Drawer Internal Width
- DD Drawer Depth

Recommended Screws For Rail Assembly for Assembly

$\varnothing 3,5 \times 16$ mm Chipboard Screw



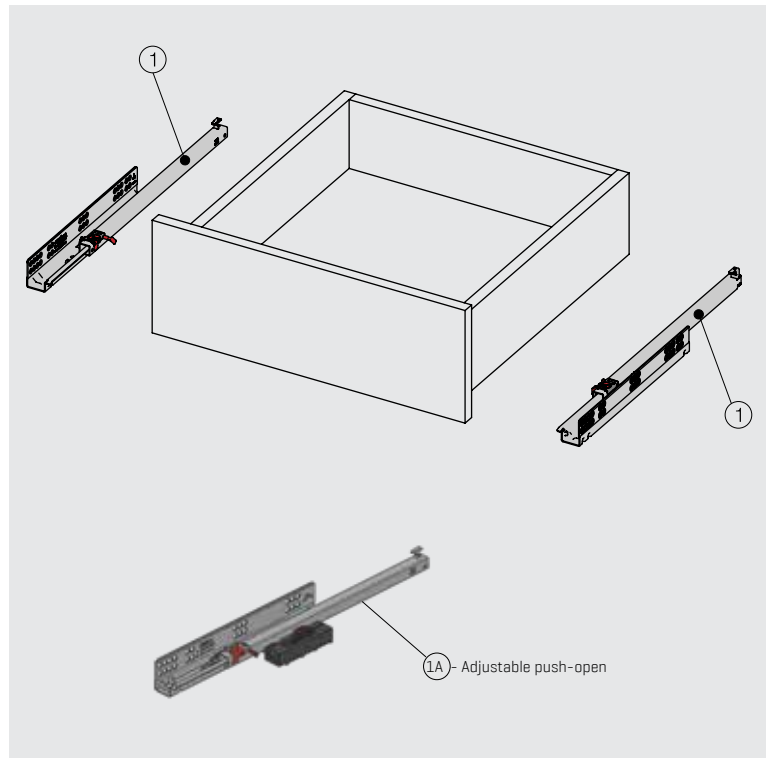
$\varnothing 6,1 \times 11,5$ mm Euro Screw



* All dimensions in the diagram are in mm

slidea

Push-Open Single Extension Drawer Pin Fix [16 mm]



- Concealed, single extension slides for wooden drawers.
- +2,5 mm up adjustment option.
- Adjustable version [1A]; 3 mm backward and forward adjustment is enabled by screw on Push-Open mechanism.
- Max 16 mm wooden side application.
- 260/285/310/335/360/385/410/435/460/485/510/535/560 mm drawer length.
- Long service life.

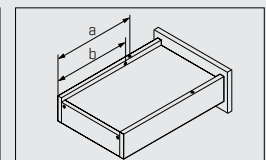
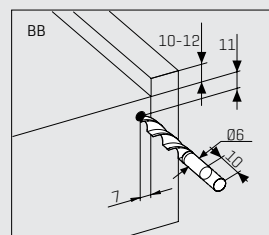
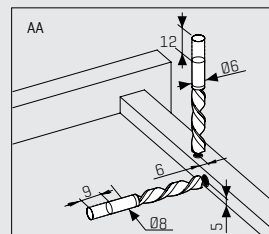
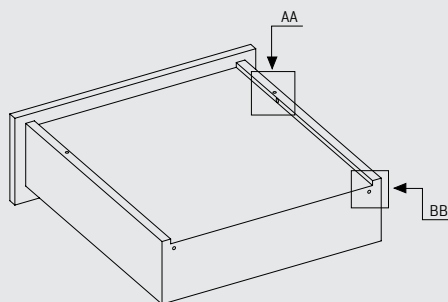
1 Slidea Drawer Slide Right/Left			
NOMINAL SIZE	CODE	CODE ADJUSTABLE	PACKING
260 mm	1272354260	1272374260	12 Set
285 mm	1272354285	1272374285	12 Set
310 mm	1272354310	1272374310	12 Set
335 mm	1272354335	1272374335	12 Set
360 mm	1272354360	1272374360	12 Set
385 mm	1272354385	1272374385	12 Set
410 mm	1272354410	1272374410	12 Set
435 mm	1272354435	1272374435	12 Set
460 mm	1272354460	1272374460	12 Set
485 mm	1272354485	1272374485	12 Set
510 mm	1272354510	1272374510	12 Set
535 mm	1272354535	1272374535	12 Set
560 mm	1272354560	1272374560	12 Set

1 Industrial Package			
NOMINAL SIZE	CODE Right	CODE Left	PACKING
260 mm	1272355260	1272356260	24 Pcs
285 mm	1272355285	1272356285	24 Pcs
310 mm	1272355310	1272356310	24 Pcs
335 mm	1272355335	1272356335	24 Pcs
360 mm	1272355360	1272356360	24 Pcs
385 mm	1272355385	1272356385	24 Pcs
410 mm	1272355410	1272356410	24 Pcs
435 mm	1272355435	1272356435	24 Pcs
460 mm	1272355460	1272356460	24 Pcs
485 mm	1272355485	1272356485	24 Pcs
510 mm	1272355510	1272356510	24 Pcs
535 mm	1272355535	1272356535	24 Pcs
560 mm	1272355560	1272356560	24 Pcs

1A Industrial Package			
NOMINAL SIZE	CODE Right	CODE Left	PACKING
260 mm	1272375260	1272376260	24 Pcs
285 mm	1272375285	1272376285	24 Pcs
310 mm	1272375310	1272376310	24 Pcs
335 mm	1272375335	1272376335	24 Pcs
360 mm	1272375360	1272376360	24 Pcs
385 mm	1272375385	1272376385	24 Pcs
410 mm	1272375410	1272376410	24 Pcs
435 mm	1272375435	1272376435	24 Pcs
460 mm	1272375460	1272376460	24 Pcs
485 mm	1272375485	1272376485	24 Pcs
510 mm	1272375510	1272376510	24 Pcs
535 mm	1272375535	1272376535	24 Pcs
560 mm	1272375560	1272376560	24 Pcs

Drawer Dimensions

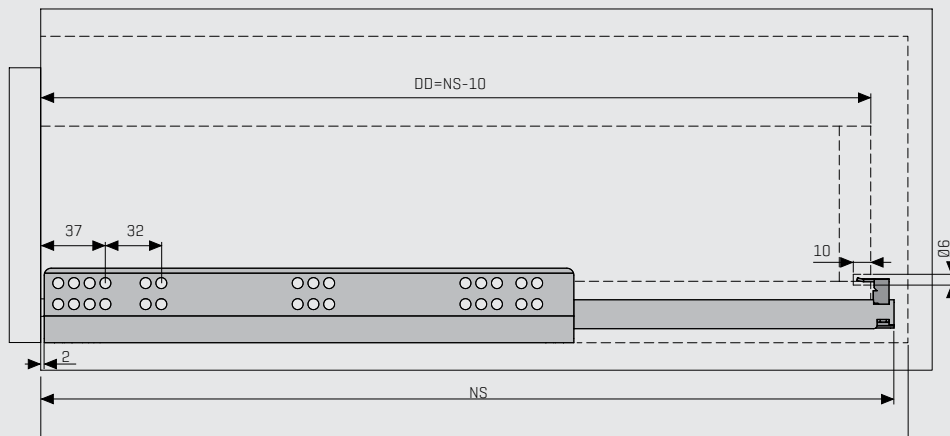
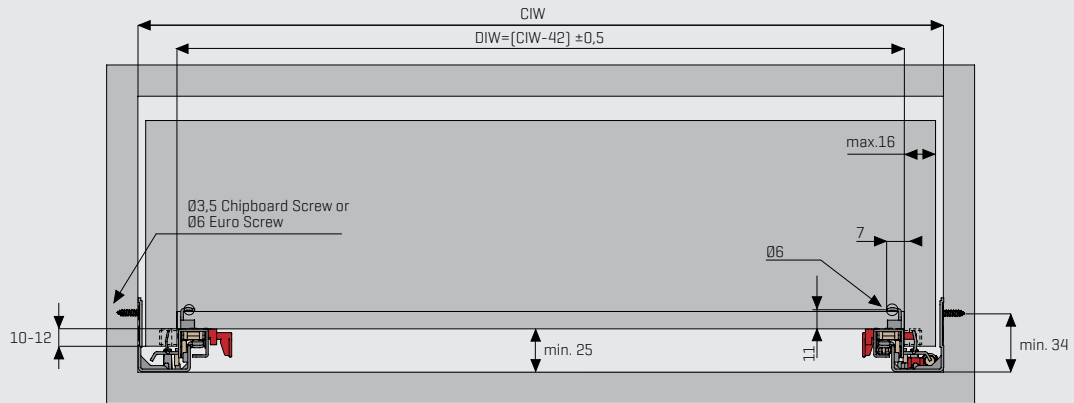
You should drill the holes before drawer's assembly.



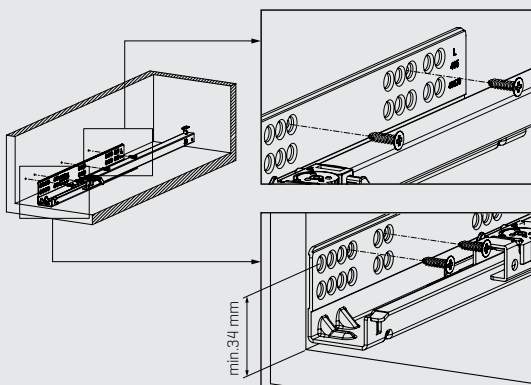
Nominal Size NS (mm)	Fitting Pins a (mm)	Safety Pins b (mm)
260	205	185
285	220	200
310	230	210
335	245	225
360	275	255
385	285	265
410	300	280
435	310	290
460	335	315
485	350	330
510	360	340
535	375	355
560	405	385

Dynamic loading capacity: 25 kg

Drawer and Cabinet Dimensions



Screw Locations for Slides



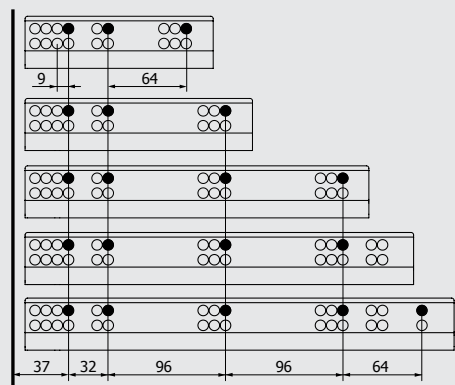
260 mm

285-310-335
 360-385-410 mm

435-460 mm

485-510 mm

535-560 mm



- CD Cabinet Depth
- CIW Cabinet Internal Width
- NS Nominal Size
- DIW Drawer Internal Width
- DD Drawer Depth

Recommended Screws For Rail Assembly for Assembly

Ø3,5x16 mm Chipboard Screw



Ø6,1x11,5 mm Euro Screw



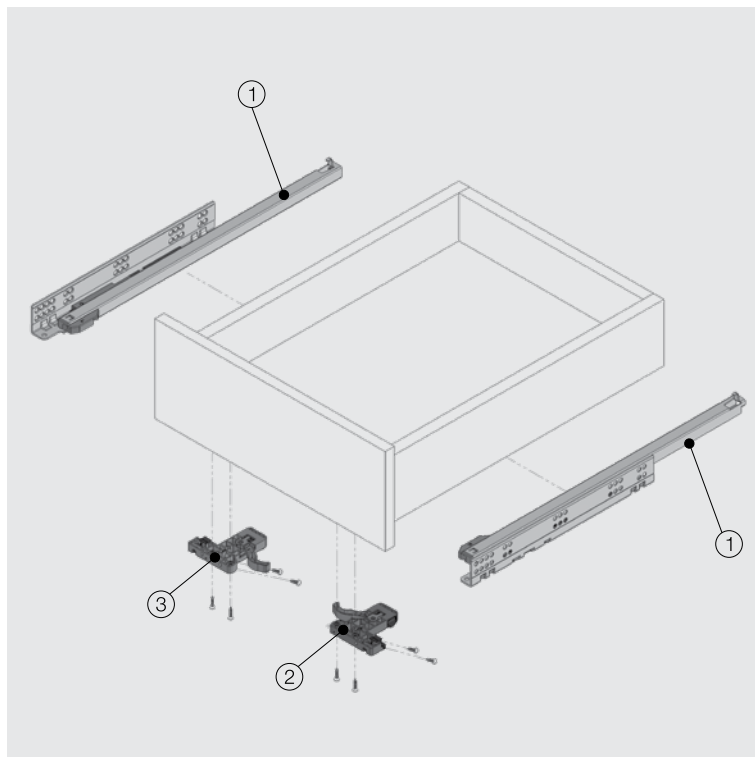
* All dimensions in the diagram are in mm

ULTIMADE SLIDE

Single Extension Drawer Lock Fix



- Concealed, single extension slides for wooden drawers.
- Adaptive soft close system guarantees silent and gentle closing
- Easy removal and mounting permitted by SmartLock®
- The SmartLock® System provides a ±1,5 mm horizontal and +2 mm upwards adjustment opportunity.
- Maximum up to 19 mm wooden side application
- Drawer Length alternatives: 350/400/450/500
- The improved stability guarantees a long product durability
- Same cabinet and drawer can be used with both Smart Slide® Full Extension® and Smart Slide Single Extension (without changing the SmartLock® System)

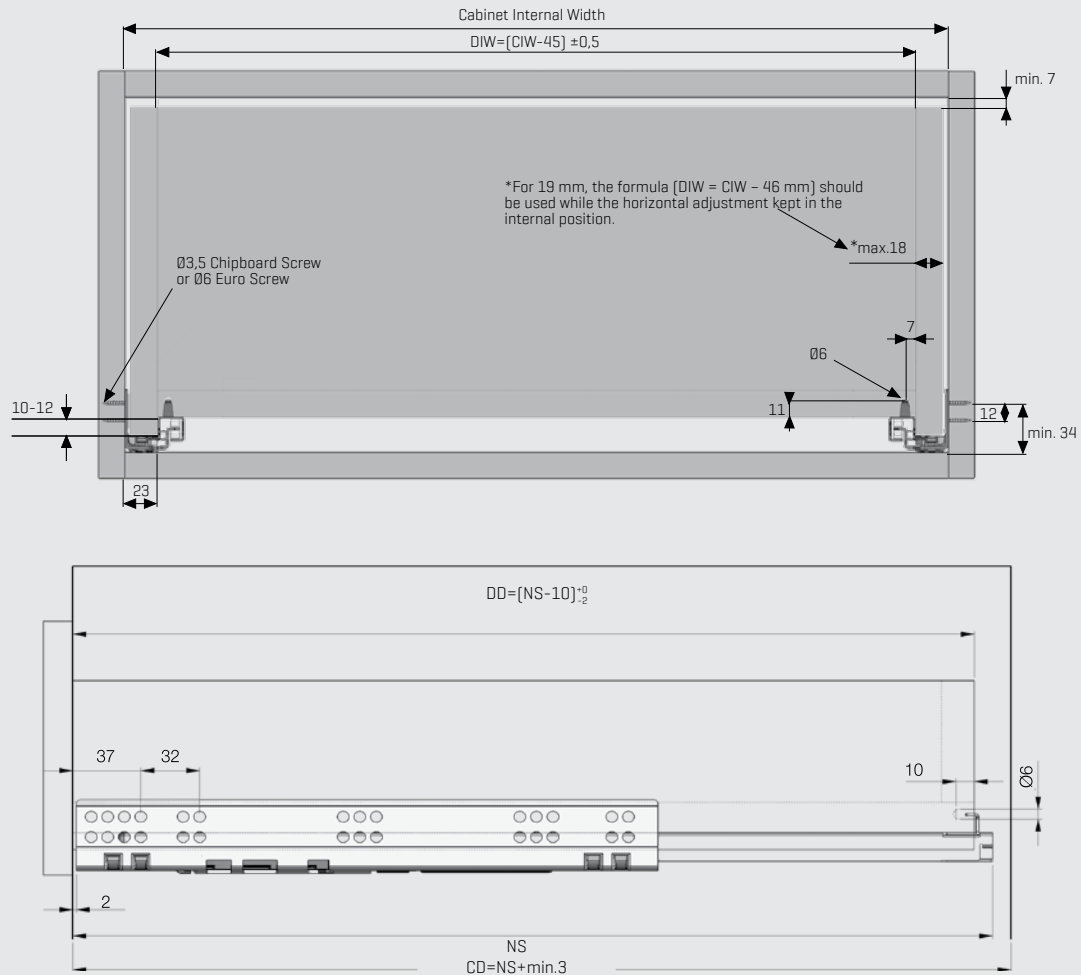


1 Ultimade Slide Right-Left		
NOMINAL SIZE	CODE With Soft close	PACKING
350 mm	127222303	12 Set
400 mm	127222304	12 Set
450 mm	127222305	12 Set
500 mm	127222306	12 Set

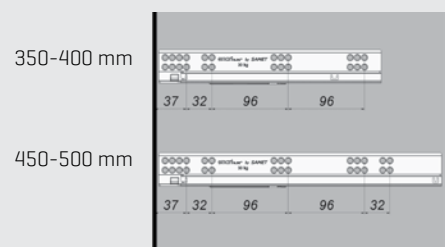
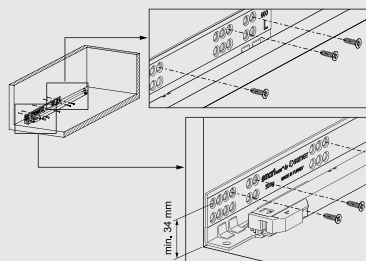
2-3 SmartLock® Right-Left			
CODE Right		CODE Left	
		PACKING	
12790773		12790774	
		120 Pcs	

Dynamic loading capacity: 20 kg

Drawer and Cabinet Dimensions



Screw Locations for Slides



- CD Cabinet Depth
- CIW Cabinet Internal Width
- NS Nominal Size
- DIW Drawer Internal Width
- DD Drawer Depth

Recommended Screws For Rail Assembly

Ø3,5x16 mm Chipboard Screw



Ø6,1x11,5 mm Euro Screw



*All dimensions in the graphs above are measured in mm

Elegant Design and Perfect Function...

SAMET Drawer Box Systems bring an urban and premium experience with modern design and perfect function.

Metallic side panels and exclusive color options of drawer box systems create a perfect harmony with furniture especially in kitchens and bathrooms.



Read the QR code to learn more about drawer systems.



Install a QR code reader for your operating system. Then start the QR code reader and keep your smartphone or tablet approximately 20 cm above the QR code.

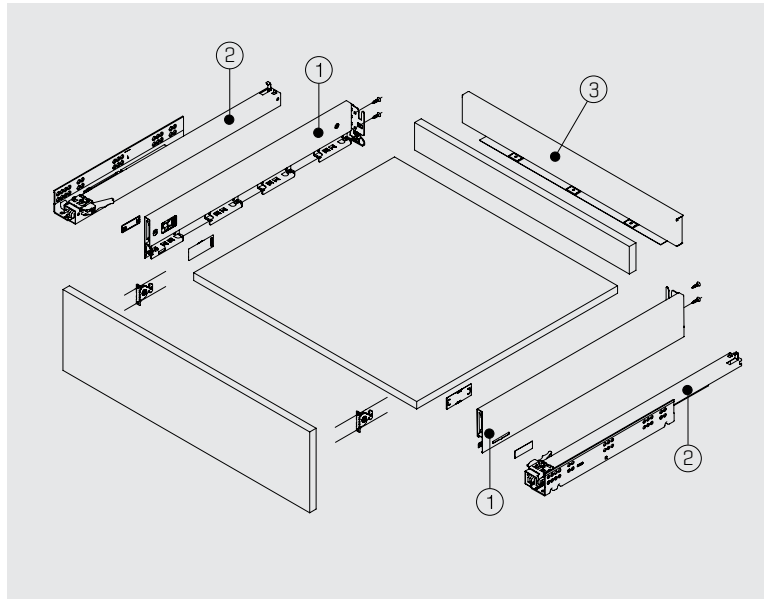


FLOWBOX

H 106 Drawer



- 12,8 mm ultra thin and elegant side design
- 5 different colours
- 4 different side heights with gallery railing usage
- Smooth and silent movement technology with improved synchronisation
- 270/ 300/ 350/ 400/ 450/ 500/ 550/ 600 mm drawer lengths
- 3D adjustment opportunity (right-left, up-down and tilt)
- Tool-less front panel assembly
- No cutting process for the base panel



NOMINAL SIZE	1-2	58 mm	PACKING
270 mm	127167●3○1**45		6 Set/ Box
300 mm	127167●3○2**45		6 Set/ Box
350 mm	127167●3○3**45		6 Set/ Box
400 mm	127167●3○4**45		6 Set/ Box
450 mm	127167●3○5**45		6 Set/ Box
500 mm	127167●3○6**45		6 Set/ Box
550 mm	127167●3○7**45		6 Set/ Box
600 mm	127167●3○8**45		6 Set/ Box

BOTTOM PANEL [●]	
16 mm	1
18 mm	2

Enter the number of your preferred bottom panel thickness to the [●] marked area.

SLIDE [○]	
Soft Close	8
Push Open	7
Push Open Soft Close	6

Enter the number of your preferred slide to the [○] marked area.

COLOR [**]	
White	01
Inox	04
Black	05
Mocha	06
Anthracite	07

Enter the number of your preferred color to the [**] marked area.

METAL BACKPANEL

NOMINAL SIZE	3	H 58	PACKING
450 mm	127962■01**		12 Pcs
600 mm	127962■02**		12 Pcs
900 mm	127962■03**		12 Pcs
1200 mm	127962■04**		12 Pcs

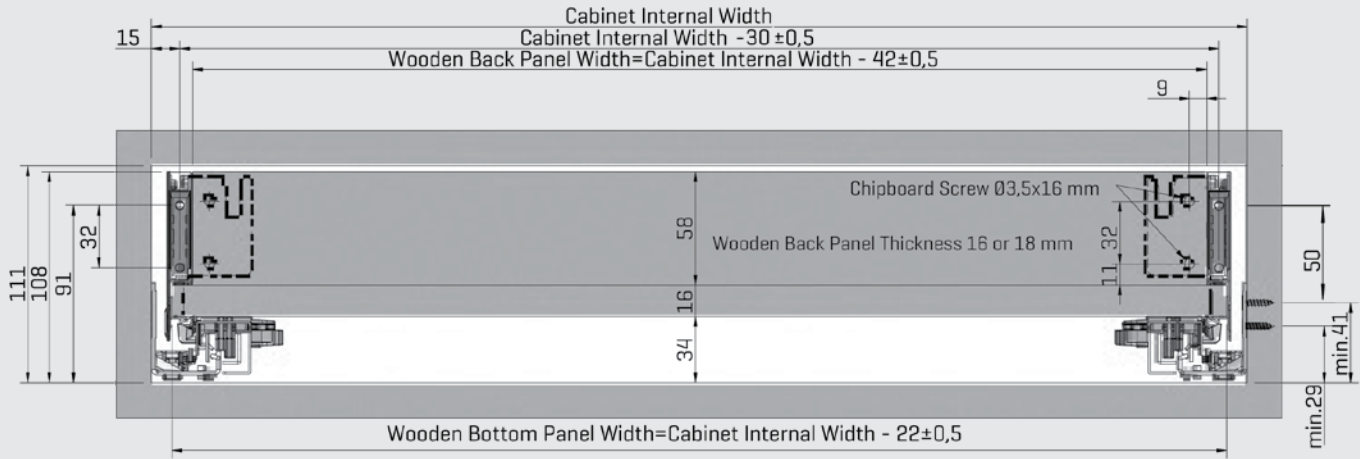
BOTTOM PANEL THICKNESS - CABIN SIDE [■]	
16 mm - 16 mm	6
18 mm - 16 mm	7
16 mm - 18 mm	8
18 mm - 18 mm	9

Enter the number of your preferred bottom panel / cabin side panel thickness to the [■] marked area.

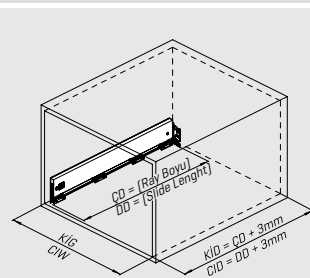
COLOR [**]	
White	01
Black	05
Mocha	06
Anthracite	07

Enter the number of your preferred color to the [**] marked area.

Slide Mounting Dimensions

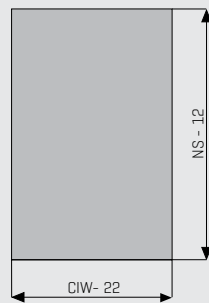


Wooden Back Panel Application

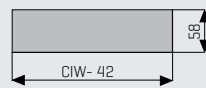


CD Cabinet Depth
CIW Cabinet Internal Width
NS Nominal Size

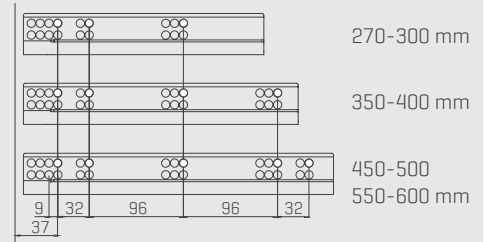
1. Wooden Drawer Bottom



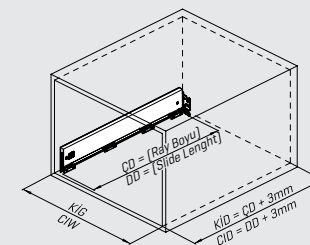
2. Wooden Back Panel



Slide Screw Location

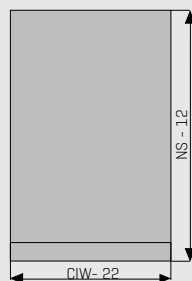


Metal Back Panel Application



CD Cabinet Depth
CIW Cabinet Internal Width
NS Nominal Size
MBW Metal Back Panel Width

3. Wooden Drawer Bottom



Recommended Screws For Rail Assembly

$\varnothing 3,5 \times 16$ mm Chipboard Screw



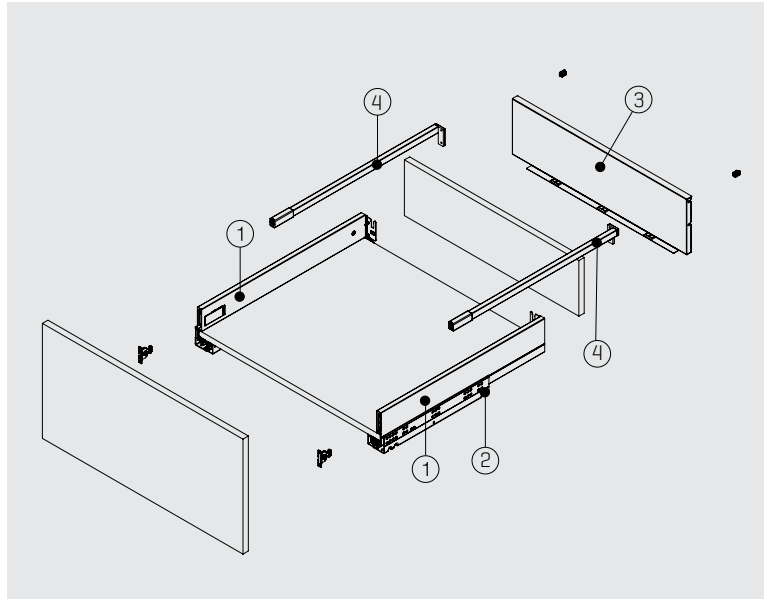
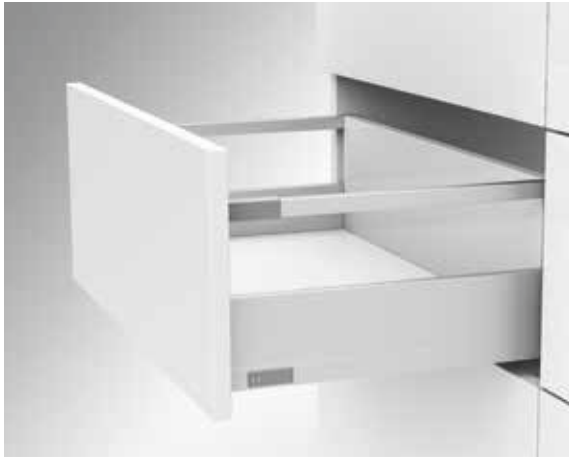
$\varnothing 6,1 \times 11,5$ mm Euro Screw



*All dimensions in the graphs above are measured in mm

FLOWBOX

H 106 Drawer with Gallery Railing



- 12,8 mm ultra thin and elegant side design
- 5 different colours
- 4 different side heights with gallery railing usage
- Smooth and silent movement technology with improved synchronisation
- 270/ 300/ 350/ 400/ 450/ 500/ 550/ 600 mm drawer lengths
- 3D adjustment opportunity (right-left, up-down and tilt)
- Tool-less front panel assembly
- No cutting process for the base panel

NOMINAL SIZE	1-2	58 mm	PACKING
270 mm	127167●3⊙1**45		6 Set/ Box
300 mm	127167●3⊙2**45		6 Set/ Box
350 mm	127167●3⊙3**45		6 Set/ Box
400 mm	127167●3⊙4**45		6 Set/ Box
450 mm	127167●3⊙5**45		6 Set/ Box
500 mm	127167●3⊙6**45		6 Set/ Box
550 mm	127167●3⊙7**45		6 Set/ Box
600 mm	127167●3⊙8**45		6 Set/ Box

BOTTOM PANEL [●]	
16 mm	1
18 mm	2

Enter the number of your preferred bottom panel thickness to the [●] marked area.

SLIDE [⊙]	
Soft Close	8
Push Open	7
Push Open Soft Close	6

Enter the number of your preferred slide to the [⊙] marked area.

COLOR [**]	
White	01
Inox	04
Black	05
Mocha	06
Anthracite	07

Enter the number of your preferred color to the [**] marked area.

METAL BACKPANEL

NOMINAL SIZE	3	H 144	PACKING
450 mm	127962■11**		12 Pcs
600 mm	127962■12**		12 Pcs
900 mm	127962■13**		12 Pcs
1200 mm	127962■14**		12 Pcs

BOTTOM PANEL THICKNESS - CABIN SIDE PANEL THICKNESS [■]	
16 mm - 16 mm	6
18 mm - 16 mm	7
16 mm - 18 mm	8
18 mm - 18 mm	9

Enter the number of your preferred bottom panel / cabin side panel thickness to the [■] marked area.

COLOR [**]	
White	01
Black	05
Mocha	06
Anthracite	07

Enter the number of your preferred color to the [**] marked area.

FLOWBOX GALLERY RAILING

NOMINAL SIZE 7	WOODEN BACKPANEL	METAL BACKPANEL	PACKING
270 mm	1279614●1**	1279615●1**	12 Set
300 mm	1279614●2**	1279615●2**	12 Set
350 mm	1279614●3**	1279615●3**	12 Set
400 mm	1279614●4**	1279615●4**	12 Set
450 mm	1279614●5**	1279615●5**	12 Set
500 mm	1279614●6**	1279615●6**	12 Set
550 mm	1279614●7**	1279615●7**	12 Set
600 mm	1279614●8**	1279615●8**	12 Set

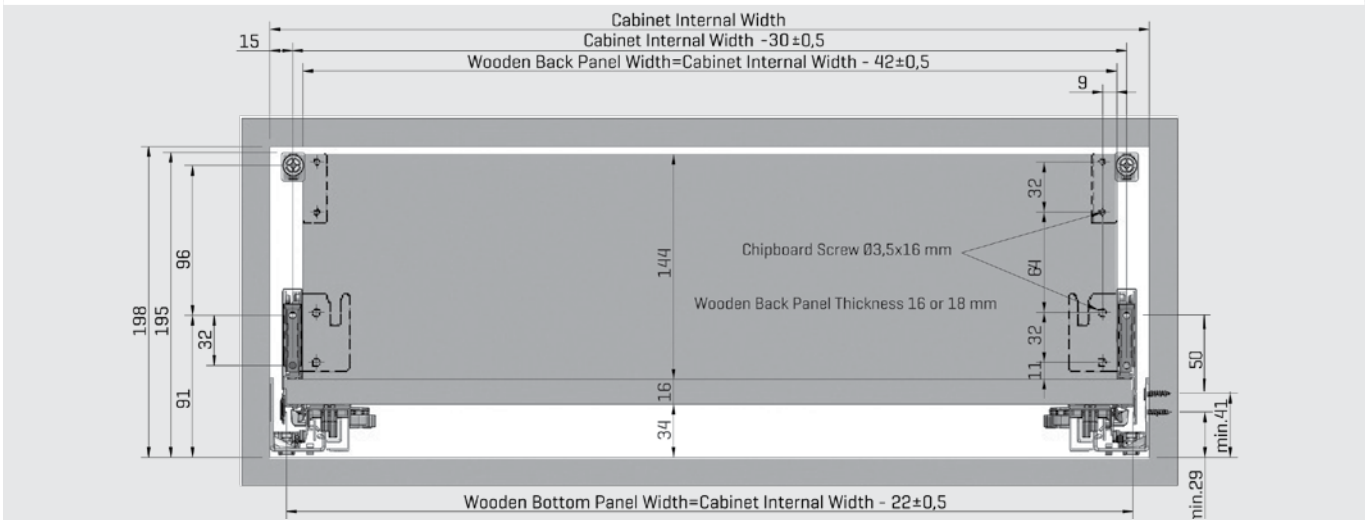
COLOR [**]	
White	01
Black	05
Mocha	06
Anthracite	07

Enter the number of your preferred color to the [**] marked area.

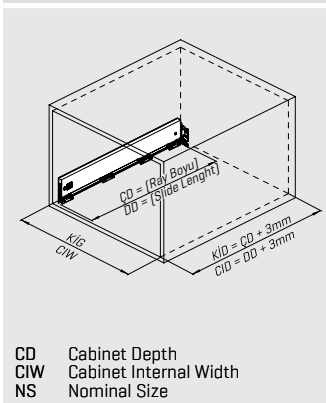
CONNECTOR [●]	
Screw	1
Dowel	2

Enter the number of your preferred connector to the [●] marked area.

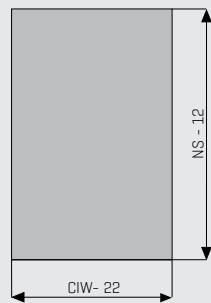
Slide Mounting Dimensions



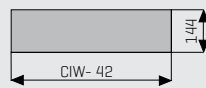
Wooden Back Panel Application



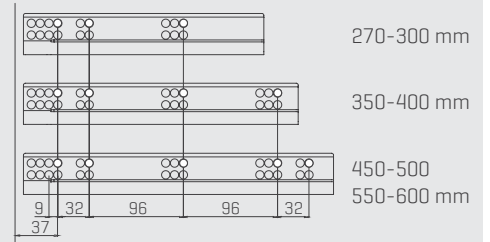
1. Wooden Drawer Bottom



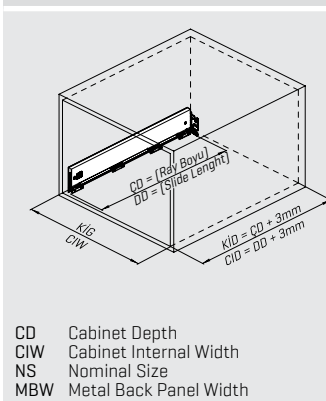
2. Wooden Back Panel



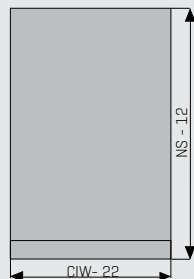
Slide Screw Location



Metal Back Panel Application



3. Wooden Drawer Bottom



Recommended Screws For Rail Assembly

Ø3,5x16 mm Chipboard Screw



Ø6,1x11,5 mm Euro Screw



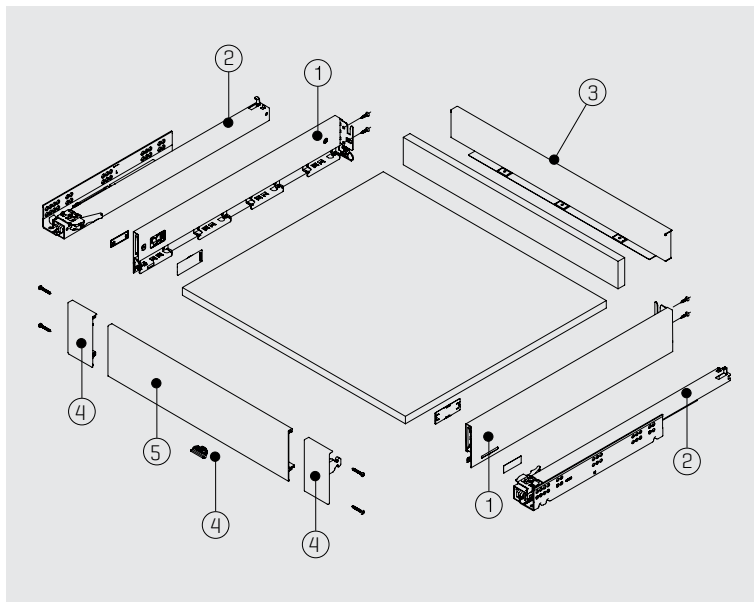
*All dimensions in the graphs above are measured in mm

FLOWBOX

H 106 In-Box



- 12,8 mm ultra thin and elegant side design
- 5 different colours
- 4 different side heights with gallery railing usage
- Smooth and silent movement technology with improved synchronisation
- 270/ 300/ 350/ 400/ 450/ 500/ 550/ 600 mm drawer lengths
- 3D adjustment opportunity (right-left, up-down and tilt)
- Tool-less front panel assembly
- No cutting process for the base panel



NOMINAL SIZE	1-2	58 mm	PACKING
270 mm	127167●3⊙1**45		6 Set/ Box
300 mm	127167●3⊙2**45		6 Set/ Box
350 mm	127167●3⊙3**45		6 Set/ Box
400 mm	127167●3⊙4**45		6 Set/ Box
450 mm	127167●3⊙5**45		6 Set/ Box
500 mm	127167●3⊙6**45		6 Set/ Box
550 mm	127167●3⊙7**45		6 Set/ Box
600 mm	127167●3⊙8**45		6 Set/ Box

BOTTOM PANEL [●]	
16 mm	1
18 mm	2

Enter the number of your preferred bottom panel thickness to the [●] marked area.

SLIDE [⊙]	
Soft Close	8
Push Open	7
Push Open Soft Close	6

Enter the number of your preferred slide to the [⊙] marked area.

COLOR [**]	
White	01
Inox	04
Black	05
Mocha	06
Anthracite	07

Enter the number of your preferred color to the [**] marked area.

METAL BACKPANEL

NOMINAL SIZE	3	H 58	PACKING
450 mm	127962■01**		12 Pcs
600 mm	127962■02**		12 Pcs
900 mm	127962■03**		10 Pcs
1200 mm	127962■04**		12 Pcs

BOTTOM PANEL THICKNESS - CABIN SIDE PANEL THICKNESS [■]	
16 mm - 16 mm	6
18 mm - 16 mm	7
16 mm - 18 mm	8
18 mm - 18 mm	9

Enter the number of your preferred bottom panel / cabin side panel thickness to the [■] marked area.

COLOR [**]	
White	01
Black	05
Mocha	06
Anthracite	07

Enter the number of your preferred color to the [**] marked area.

FLOWBOX FRONT PANEL HOLDER

CODE	DEFINITION	4	PACKING
12796470**	Flowbox Front Panel Holder for H58		12 Set

[-] Panel bottom holder for 18 and 16 mm bottom panels are included in package.

FLOWBOX FRONT PANEL

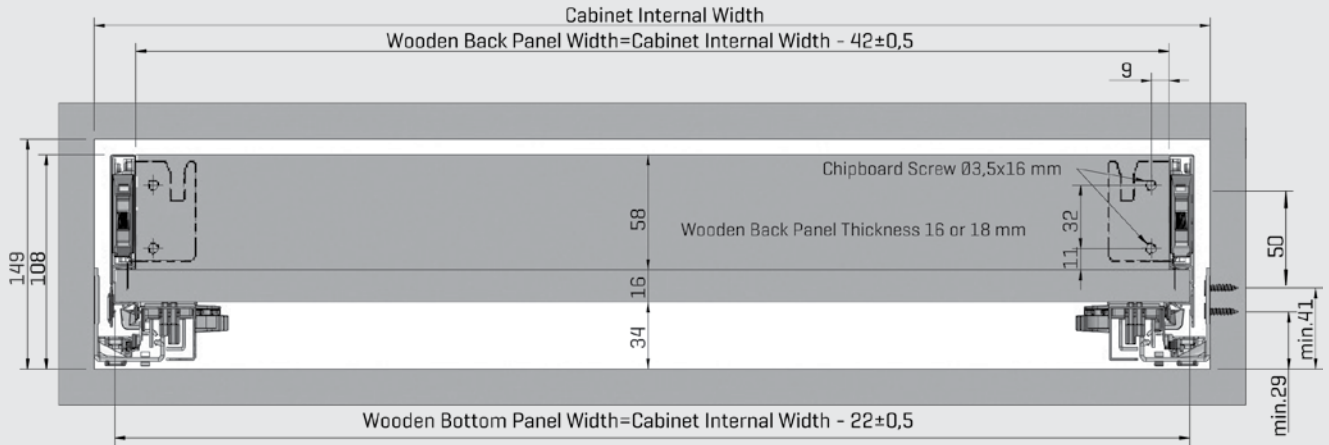
CODE	WIDTH	CABINET	5	PACKING
1279646**0290	450 mm	18 mm		12 Pcs
1279646**0440	600 mm	18 mm		12 Pcs
1279646**0740	900 mm	18 mm		12 Pcs
1279646**1040	1200 mm	18 mm		12 Pcs
1279646**1044	1200 mm	16 mm		12 Pcs

Enter the number of your preferred color to the [**] marked area.

COLOR [**]	
White	01
Black	05
Mocha	06
Anthracite	07

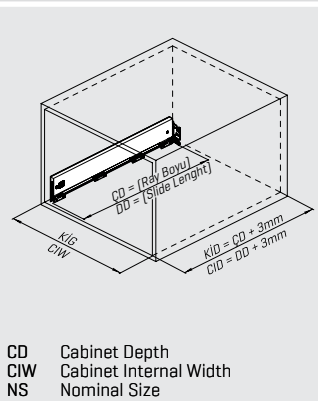
Enter the number of your preferred color to the [**] marked area.

Slide Mounting Dimensions

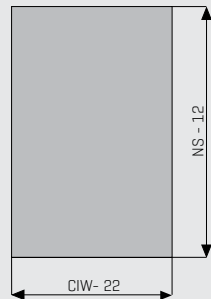


Calculation Method for Front Panel Dimensions: Cut Measurement = Cabinet Internal Width - 124

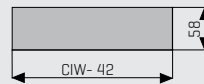
Wooden Back Panel Application



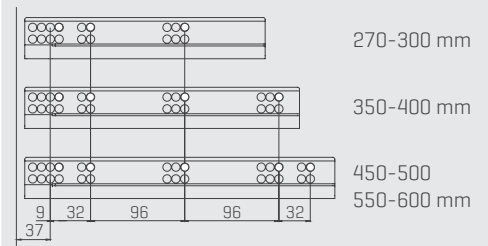
1. Wooden Drawer Bottom



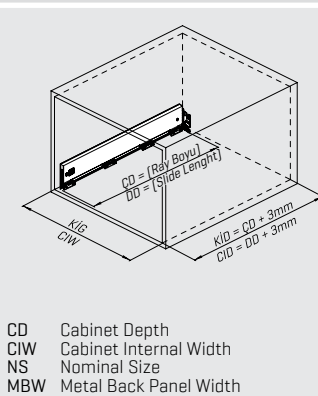
2. Wooden Back Panel



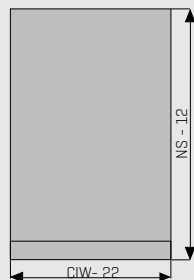
Slide Screw Location [In-Box]



Metal Back Panel Application



3. Wooden Drawer Bottom



Recommended Screws For Rail Assembly

Ø3,5x16 mm Chipboard Screw



Ø6,1x11,5 mm Euro Screw



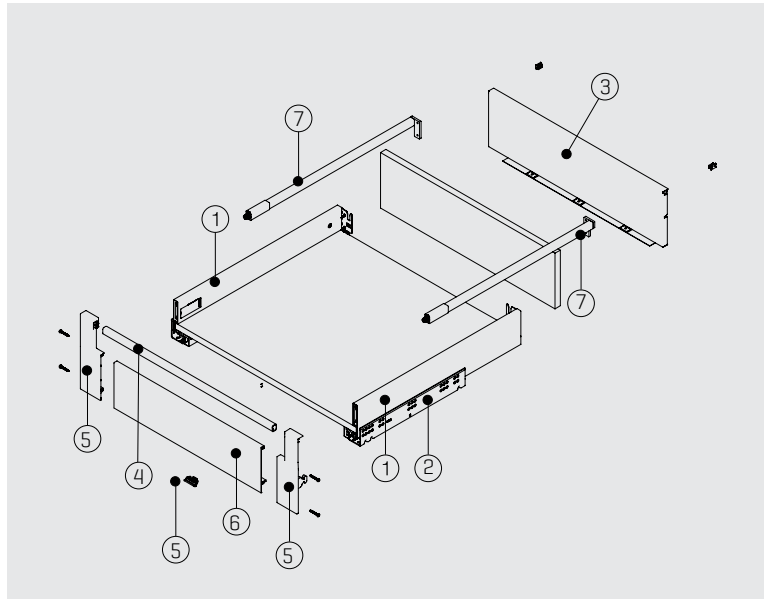
*All dimensions in the graphs above are measured in mm

FLOWBOX

H 106 In-Box with Gallery Railing



- 12,8 mm ultra thin and elegant side design
- 5 different colours
- 4 different side heights with gallery railing usage
- Smooth and silent movement technology with improved synchronisation
- 270/ 300/ 350/ 400/ 450/ 500/ 550/ 600 mm drawer lengths
- 3D adjustment opportunity (right-left, up-down and tilt)
- Tool-less front panel assembly
- No cutting process for the base panel



NOMINAL SIZE	1-2	58 mm	PACKING
270 mm	127167●3⊙1**45		6 Set/ Box
300 mm	127167●3⊙2**45		6 Set/ Box
350 mm	127167●3⊙3**45		6 Set/ Box
400 mm	127167●3⊙4**45		6 Set/ Box
450 mm	127167●3⊙5**45		6 Set/ Box
500 mm	127167●3⊙6**45		6 Set/ Box
550 mm	127167●3⊙7**45		6 Set/ Box
600 mm	127167●3⊙8**45		6 Set/ Box

BOTTOM PANEL [●]	
16 mm	1
18 mm	2

Enter the number of your preferred bottom panel thickness to the [●] marked area.

SLIDE [⊙]	
Soft Close	8
Push Open	7
Push Open Soft Close	6

Enter the number of your preferred slide to the [⊙] marked area.

COLOR [**]	
White	01
Inox	04
Black	05
Mocha	06
Anthracite	07

Enter the number of your preferred color to the [**] marked area.

METAL BACKPANEL

NOMINAL SIZE	3	H 144	PACKING
450 mm	127962■11**		12 Pcs
600 mm	127962■12**		12 Pcs
900 mm	127962■13**		12 Pcs
1200 mm	127962■14**		12 Pcs

BOTTOM PANEL THICKNESS - CABIN SIDE [■]	
16 mm - 16 mm	6
18 mm - 16 mm	7
16 mm - 18 mm	8
18 mm - 18 mm	9

Enter the number of your preferred bottom panel / cabin side panel thickness to the [■] marked area.

COLOR [**]	
White	01
Black	05
Mocha	06
Anthracite	07

Enter the number of your preferred color to the [**] marked area.

FRONT GALLERY RAILING

CODE	WIDTH	CABINET 4	PACKING
1279616**0357	450 mm	18 mm	12 Pcs
1279616**0507	600 mm	18 mm	12 Pcs
1279616**0807	900 mm	18 mm	12 Pcs
1279616**1107	1200 mm	18 mm	12 Pcs
1279616**1111	1200 mm	16 mm	12 Pcs

Enter the number of your preferred color to the [**] marked area.

FRONT PANEL HOLDER

CODE	5	DEFINITION	PACKING
12796471**		Flowbox Front Panel Holder For H58 with Gallery Railing	12 Set

[=] Panel bottom holder for 18 and 16 mm bottom panels are included in package.

FRONT PANEL

CODE	6	WIDTH	CABINET	PACKING
12796469**0290		450 mm	18 mm	12 Pcs
12796469**0440		600 mm	18 mm	12 Pcs
12796469**0740		900 mm	18 mm	12 Pcs
12796469**1040		1200 mm	18 mm	12 Pcs
12796469**1044		1200 mm	16 mm	12 Pcs

Enter the number of your preferred color to the [**] marked area.

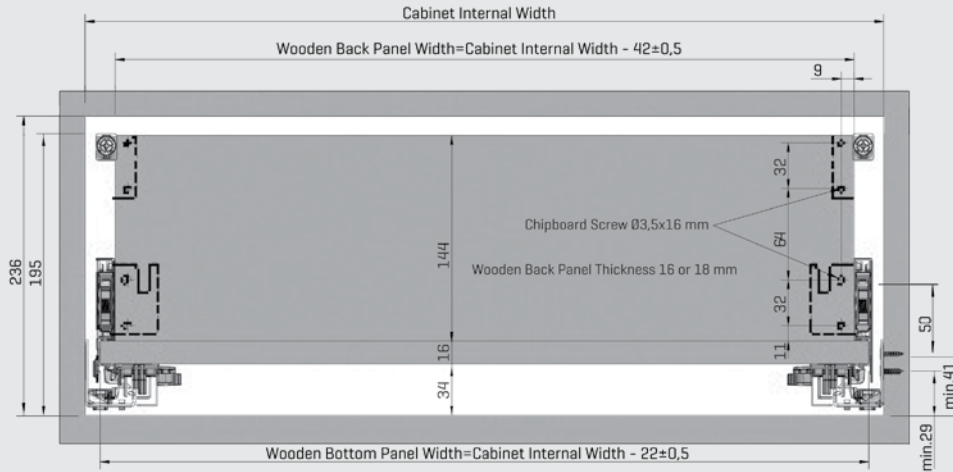
FLOWBOX GALLERY RAILING

NOMINAL SIZE	7	WOODEN BACKPANEL	METAL BACKPANEL	PACKING	COLOR [**]	CONNECTOR	[●]	
270 mm		1279614●1**	1279615●1**	12 Set	White	01	Screw	1
300 mm		1279614●2**	1279615●2**	12 Set	Black	05	Dowel	2
350 mm		1279614●3**	1279615●3**	12 Set	Mocha	06		
400 mm		1279614●4**	1279615●4**	12 Set	Anthracite	07		
450 mm		1279614●5**	1279615●5**	12 Set				
500 mm		1279614●6**	1279615●6**	12 Set				
550 mm		1279614●7**	1279615●7**	12 Set				
600 mm		1279614●8**	1279615●8**	12 Set				

Enter the number of your preferred color to the [**] marked area.

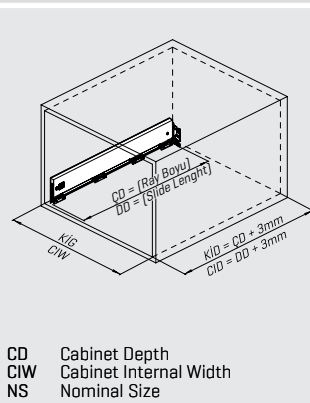
Enter the number of your preferred connector to the [●] marked area.

Slide Mounting Dimensions

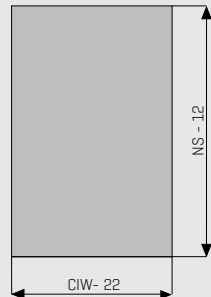


Calculation Method for Front Panel Dimensions: Cut Measurement = Cabinet Internal Width - 124
 Calculation Method for Front Gallery Railing Dimensions: Cut Measurement = Cabinet Internal Width - 57

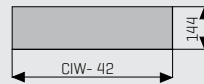
Wooden Back Panel Application



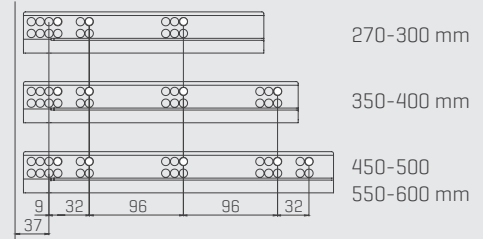
1. Wooden Drawer Bottom



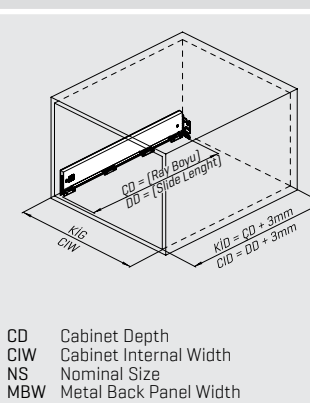
2. Wooden Back Panel



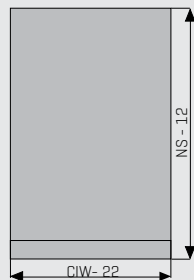
Slide Screw Location (In-Box)



Metal Back Panel Application



3. Wooden Drawer Bottom



Recommended Screws For Rail Assembly

Ø3,5x16 mm Chipboard Screw



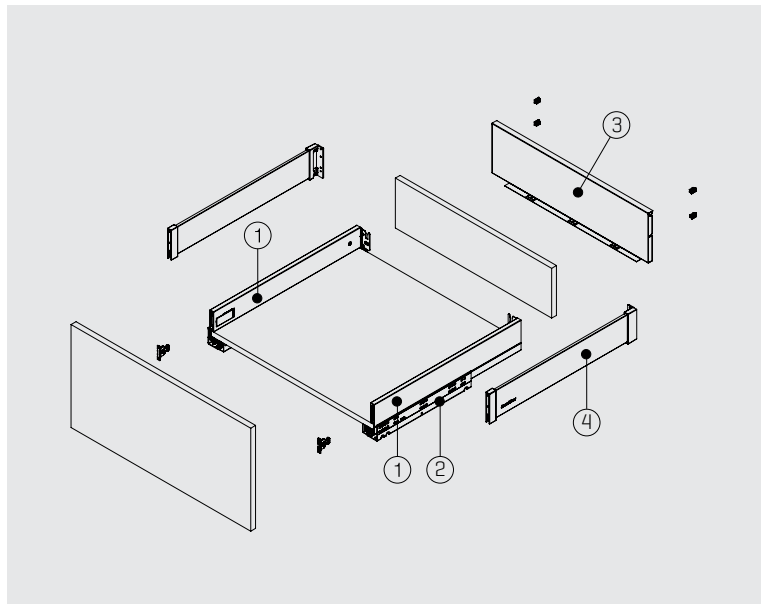
Ø6,1x11,5 mm Euro Screw



*All dimensions in the graphs above are measured in mm

FLOWBOX

H 106 Glass Side Panel



- 12,8 mm ultra thin and elegant side design
- 5 different colours
- 4 different side heights with gallery railing usage
- Smooth and silent movement technology with improved synchronisation
- 270/ 300/ 350/ 400/ 450/ 500/ 550/ 600 mm drawer lengths
- 3D adjustment opportunity (right-left, up-down and tilt)
- Tool-less front panel assembly
- No cutting process for the base panel

NOMINAL SIZE	1-2	58 mm	PACKING
270 mm	127167●3⊙1**45		6 Set/ Box
300 mm	127167●3⊙2**45		6 Set/ Box
350 mm	127167●3⊙3**45		6 Set/ Box
400 mm	127167●3⊙4**45		6 Set/ Box
450 mm	127167●3⊙5**45		6 Set/ Box
500 mm	127167●3⊙6**45		6 Set/ Box
550 mm	127167●3⊙7**45		6 Set/ Box
600 mm	127167●3⊙8**45		6 Set/ Box

BOTTOM PANEL [●]	
16 mm	1
18 mm	2

Enter the number of your preferred bottom panel thickness to the [●] marked area.

SLIDE [⊙]	
Soft Close	8
Push Open	7
Push Open Soft Close	6

Enter the number of your preferred slide to the [⊙] marked area.

COLOR [**]	
White	01
Inox	04
Black	05
Mocha	06
Anthracite	07

Enter the number of your preferred color to the [**] marked area.

METAL BACKPANEL

NOMINAL SIZE	3	H 144	PACKING
450 mm	127962■11**		12 Pcs
600 mm	127962■12**		12 Pcs
900 mm	127962■13**		12 Pcs
1200 mm	127962■14**		12 Pcs

BOTTOM PANEL THICKNESS - CABIN SIDE PANEL THICKNESS [■]	
16 mm - 16 mm	6
18 mm - 16 mm	7
16 mm - 18 mm	8
18 mm - 18 mm	9

Enter the number of your preferred bottom panel / cabin side panel thickness to the [■] marked area.

COLOR [**]	
White	01
Black	05
Mocha	06
Anthracite	07

Enter the number of your preferred color to the [**] marked area.

GLASS SIDE PANEL

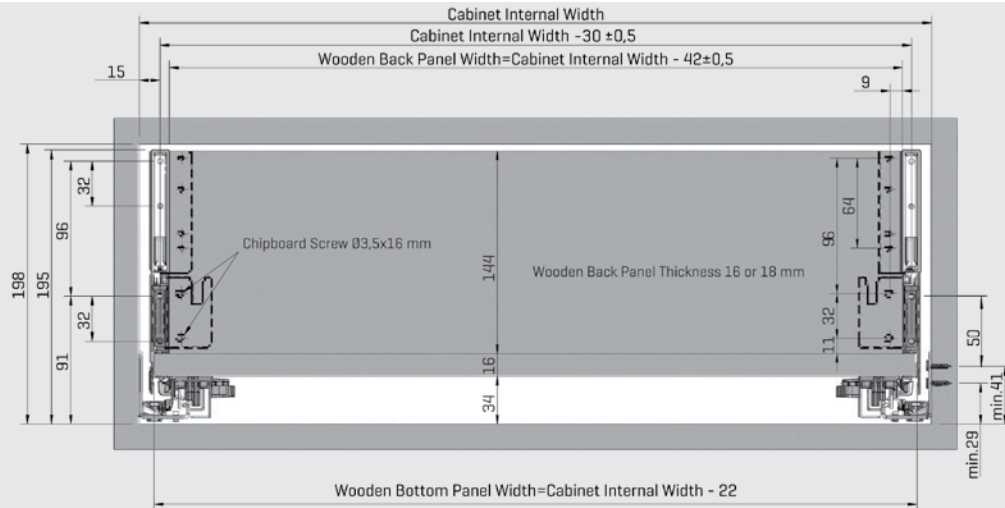
NOMINAL SIZE	4	CODE	PACKING
270 mm		12796491100**	1 Set
300 mm		12796491200**	1 Set
350 mm		12796491300**	1 Set
400 mm		12796491400**	1 Set
450 mm		12796491500**	1 Set
500 mm		12796491600**	1 Set
550 mm		12796491700**	1 Set
600 mm		12796491800**	1 Set

Enter the number of your preferred color to the [**] marked area.

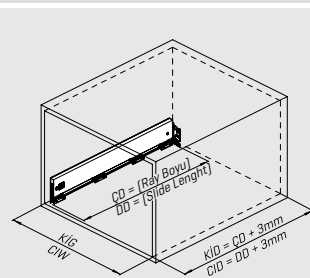
COLOR [**]	
White	01
Black	05
Mocha	06
Anthracite	07

Enter the number of your preferred color to the [**] marked area.

Slide Mounting Dimensions

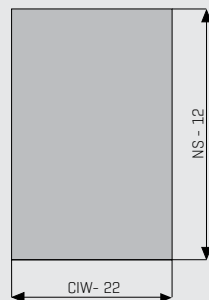


Wooden Back Panel Application

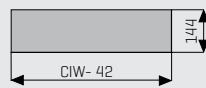


CD Cabinet Depth
CIW Cabinet Internal Width
NS Nominal Size

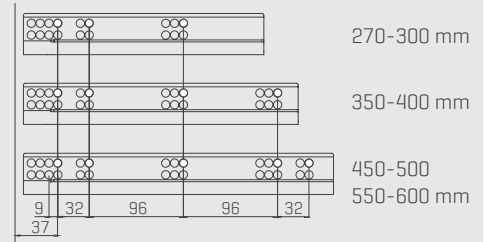
1. Wooden Drawer Bottom



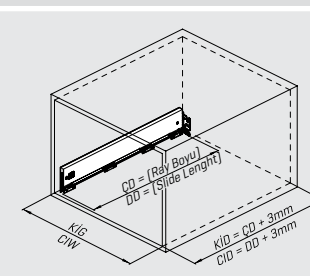
2. Wooden Back Panel



Slide Screw Location

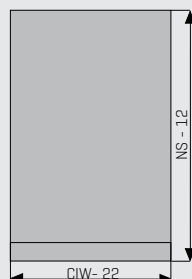


Metal Back Panel Application



CD Cabinet Depth
CIW Cabinet Internal Width
NS Nominal Size
MBW Metal Back Panel Width

3. Wooden Drawer Bottom



Recommended Screws For Rail Assembly

Ø3,5x16 mm Chipboard Screw



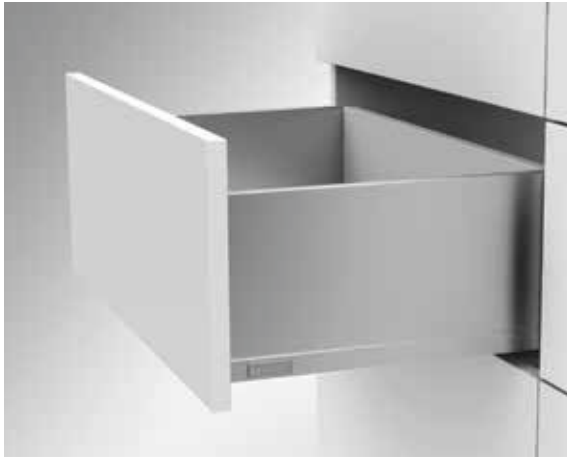
Ø6,1x11,5 mm Euro Screw



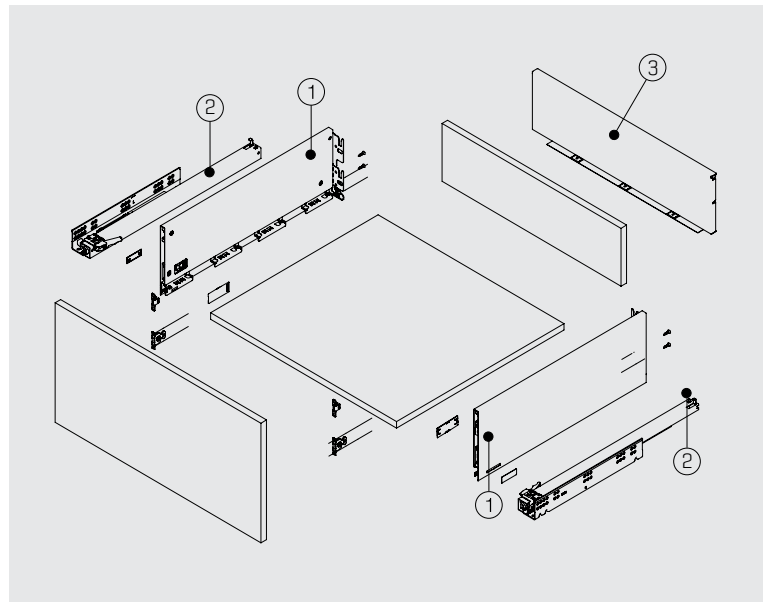
*All dimensions in the graphs above are measured in mm

FLOWBOX

H 192 Drawer



- 12,8 mm ultra thin and elegant side design
- 5 different colours
- 4 different side heights with gallery railing usage
- Smooth and silent movement technology with improved synchronisation
- 270/ 300/ 350/ 400/ 450/ 500/ 550/ 600 mm drawer lengths
- 3D adjustment opportunity (right-left, up-down and tilt)
- Tool-less front panel assembly
- No cutting process for the base panel



NOMINAL SIZE	1-2	144 mm	PACKING
270 mm	127168●3⊙1**45		6 Set/ Box
300 mm	127168●3⊙2**45		6 Set/ Box
350 mm	127168●3⊙3**45		6 Set/ Box
400 mm	127168●3⊙4**45		6 Set/ Box
450 mm	127168●3⊙5**45		6 Set/ Box
500 mm	127168●3⊙6**45		6 Set/ Box
550 mm	127168●3⊙7**45		6 Set/ Box
600 mm	127168●3⊙8**45		6 Set/ Box

BOTTOM PANEL [●]	
16 mm	1
18 mm	2

Enter the number of your preferred bottom panel thickness to the [●] marked area.

SLIDE [⊙]	
Soft Close	8
Push Open	7
Push Open Soft Close	6

Enter the number of your preferred slide to the [⊙] marked area.

COLOR [**]	
White	01
Inox	04
Black	05
Mocha	06
Anthracite	07

Enter the number of your preferred color to the [**] marked area.

METAL BACKPANEL

NOMINAL SIZE	3	H 144	PACKING
450 mm	127962■11**		12 Pcs
600 mm	127962■12**		12 Pcs
900 mm	127962■13**		12 Pcs
1200 mm	127962■14**		12 Pcs

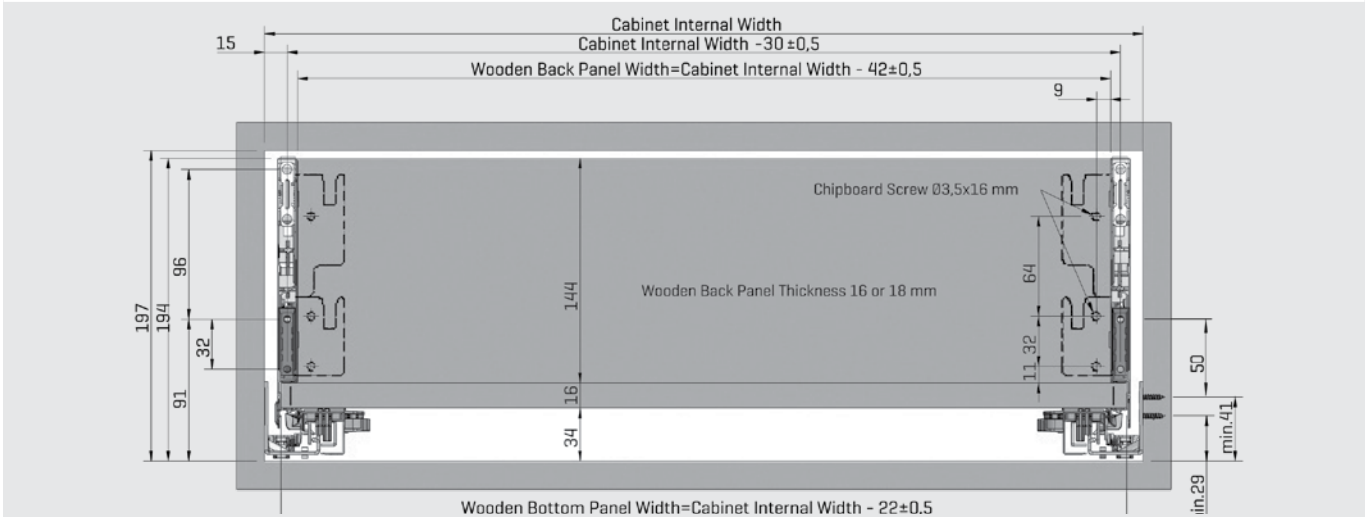
BOTTOM PANEL THICKNESS - CABIN SIDE PANEL THICKNESS [■]	
16 mm - 16 mm	6
18 mm - 16 mm	7
16 mm - 18 mm	8
18 mm - 18 mm	9

Enter the number of your preferred bottom panel / cabin side panel thickness to the [■] marked area.

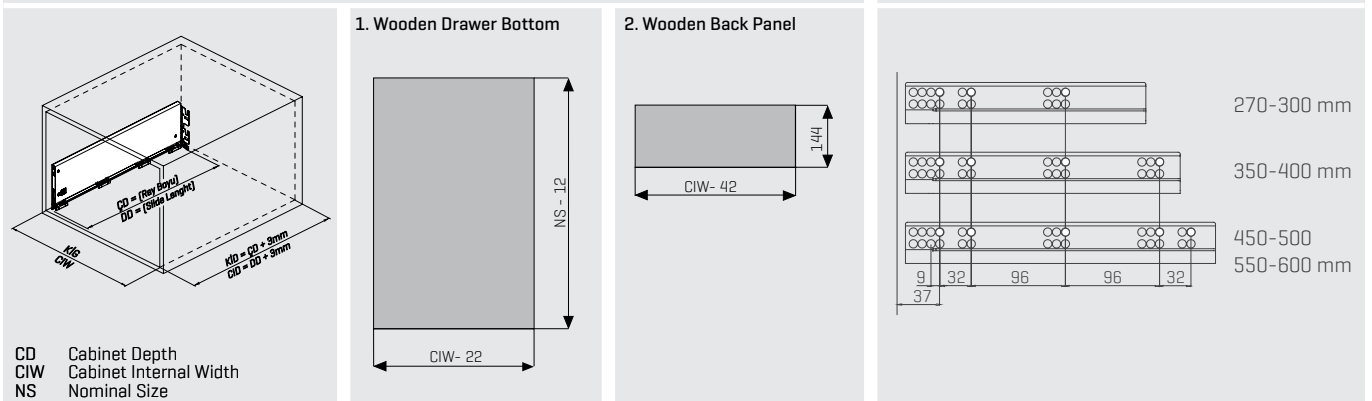
COLOR [**]	
White	01
Black	05
Mocha	06
Anthracite	07

Enter the number of your preferred color to the [**] marked area.

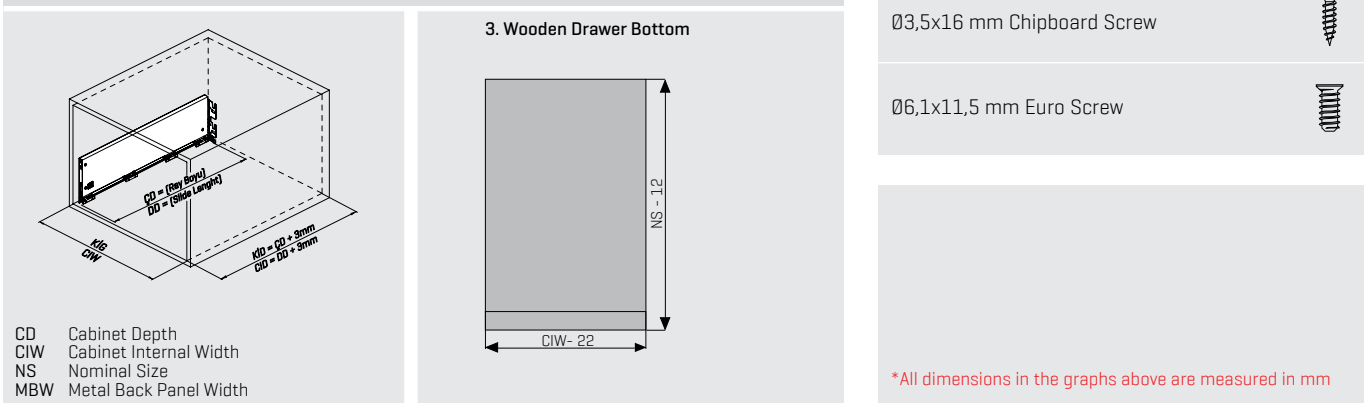
Slide Mounting Dimensions



Wooden Back Panel Application



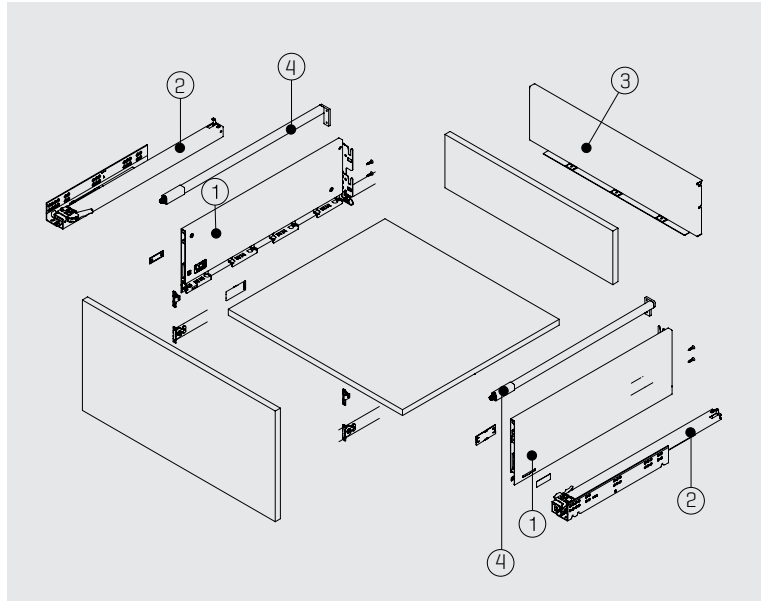
Metal Back Panel Application



*All dimensions in the graphs above are measured in mm

FLOWBOX

H 192 Drawer With Gallery Railing



- 12,8 mm ultra thin and elegant side design
- 5 different colours
- 4 different side heights with gallery railing usage
- Smooth and silent movement technology with improved synchronisation
- 270/ 300/ 350/ 400/ 450/ 500/ 550/ 600 mm drawer lengths
- 3D adjustment opportunity (right-left, up-down and tilt)
- Tool-less front panel assembly
- No cutting process for the base panel

NOMINAL SIZE	1-2	144 mm	PACKING
270 mm	127168●3○1**45		6 Set/ Box
300 mm	127168●3○2**45		6 Set/ Box
350 mm	127168●3○3**45		6 Set/ Box
400 mm	127168●3○4**45		6 Set/ Box
450 mm	127168●3○5**45		6 Set/ Box
500 mm	127168●3○6**45		6 Set/ Box
550 mm	127168●3○7**45		6 Set/ Box
600 mm	127168●3○8**45		6 Set/ Box

BOTTOM PANEL [●]	
16 mm	1
18 mm	2

Enter the number of your preferred bottom panel thickness to the [●] marked area.

SLIDE [○]	
Soft Close	8
Push Open	7
Push Open Soft Close	6

Enter the number of your preferred slide to the [○] marked area.

COLOR [**]	
White	01
Inox	04
Black	05
Mocha	06
Anthracite	07

Enter the number of your preferred color to the [**] marked area.

METAL BACKPANEL

NOMINAL SIZE	3	H 240	PACKING
450 mm	127962■31**		12 Pcs
600 mm	127962■32**		12 Pcs
900 mm	127962■33**		12 Pcs
1200 mm	127962■34**		12 Pcs

BOTTOM PANEL THICKNESS - CABIN SIDE PANEL THICKNESS [■]	
16 mm - 16 mm	6
18 mm - 16 mm	7
16 mm - 18 mm	8
18 mm - 18 mm	9

Enter the number of your preferred bottom panel / cabin side panel thickness to the [■] marked area.

COLOR [**]	
White	01
Black	05
Mocha	06
Anthracite	07

Enter the number of your preferred color to the [**] marked area.

FLOWBOX GALLERY RAILING

NOMINAL SIZE	4	WOODEN BACK PANEL	METAL BACKPANEL	PACKING
270 mm		1279614●1**	1279615●1**	12 Set
300 mm		1279614●2**	1279615●2**	12 Set
350 mm		1279614●3**	1279615●3**	12 Set
400 mm		1279614●4**	1279615●4**	12 Set
450 mm		1279614●5**	1279615●5**	12 Set
500 mm		1279614●6**	1279615●6**	12 Set
550 mm		1279614●7**	1279615●7**	12 Set
600 mm		1279614●8**	1279615●8**	12 Set

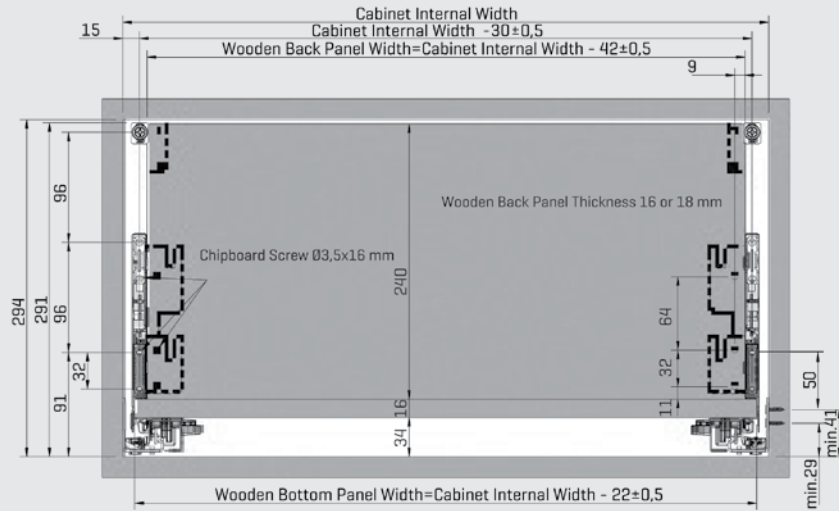
COLOR [**]	
White	01
Black	05
Mocha	06
Anthracite	07

Enter the number of your preferred color to the [**] marked area.

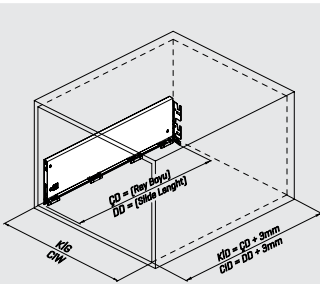
CONNECTOR [●]	
Screw	1
Dowel	2

Enter the number of your preferred connector to the [●] marked area.

Slide Mounting Dimensions

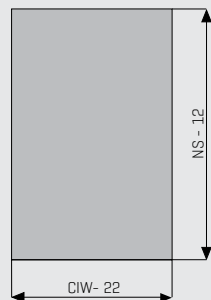


Wooden Back Panel Application

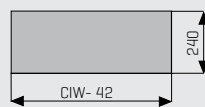


CD Cabinet Depth
CIW Cabinet Internal Width
NS Nominal Size

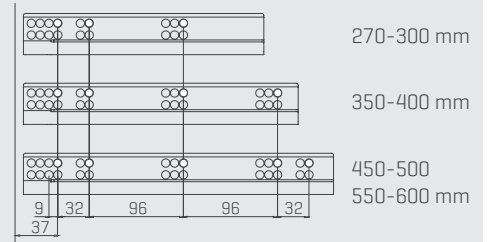
1. Wooden Drawer Bottom



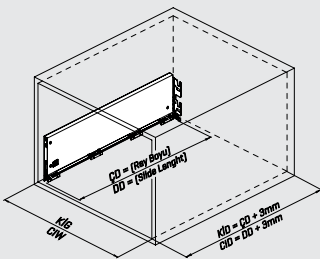
2. Wooden Back Panel



Slide Screw Location

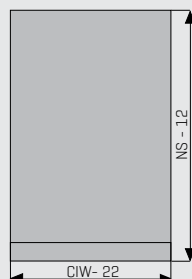


Metal Back Panel Application



CD Cabinet Depth
CIW Cabinet Internal Width
NS Nominal Size
MBW Metal Back Panel Width

3. Wooden Drawer Bottom



Recommended Screws For Rail Assembly

Ø3,5x16 mm Chipboard Screw



Ø6,1x11,5 mm Euro Screw



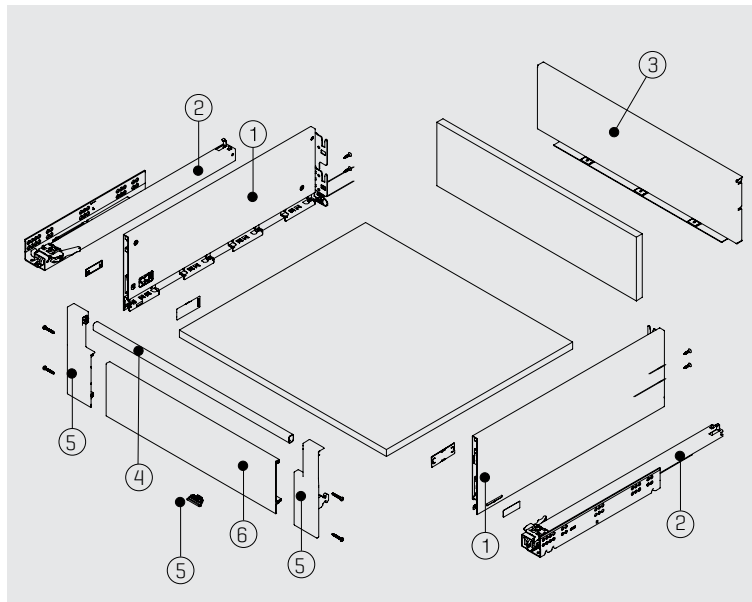
*All dimensions in the graphs above are measured in mm

FLOWBOX

H 192 In-Box



- 12,8 mm ultra thin and elegant side design
- 5 different colours
- 4 different side heights with gallery railing usage
- Smooth and silent movement technology with improved synchronisation
- 270/ 300/ 350/ 400/ 450/ 500/ 550/ 600 mm drawer lengths
- 3D adjustment opportunity (right-left, up-down and tilt)
- Tool-less front panel assembly
- No cutting process for the base panel



NOMINAL SIZE	1-2	144 mm	PACKING
270 mm	127168●3○1**45		6 Set/ Box
300 mm	127168●3○2**45		6 Set/ Box
350 mm	127168●3○3**45		6 Set/ Box
400 mm	127168●3○4**45		6 Set/ Box
450 mm	127168●3○5**45		6 Set/ Box
500 mm	127168●3○6**45		6 Set/ Box
550 mm	127168●3○7**45		6 Set/ Box
600 mm	127168●3○8**45		6 Set/ Box

BOTTOM PANEL [●]	
16 mm	1
18 mm	2

Enter the number of your preferred bottom panel thickness to the [●] marked area.

SLIDE [○]	
Soft Close	8
Push Open	7
Push Open Soft Close	6

Enter the number of your preferred slide to the [○] marked area.

COLOR [**]	
White	01
Inox	04
Black	05
Mocha	06
Anthracite	07

Enter the number of your preferred color to the [**] marked area.

METAL BACKPANEL

NOMINAL SIZE	3	H 144	PACKING
450 mm	127962■11**		12 Pcs
600 mm	127962■12**		12 Pcs
900 mm	127962■13**		12 Pcs
1200 mm	127962■14**		12 Pcs

BOTTOM PANEL THICKNESS - CABIN SIDE PANEL THICKNESS	
16 mm - 16 mm	6
18 mm - 16 mm	7
16 mm - 18 mm	8
18 mm - 18 mm	9

Enter the number of your preferred bottom panel / cabin side panel thickness to the [■] marked area.

FRONT GALLERY RAILING

CODE	WIDTH	CABINET 4	PACKING
1279616**0357	450 mm	18 mm	12 Pcs
1279616**0507	600 mm	18 mm	12 Pcs
1279616**0807	900 mm	18 mm	12 Pcs
1279616**1107	1200 mm	18 mm	12 Pcs
1279616**1111	1200 mm	16 mm	12 Pcs

Enter the number of your preferred color to the [**] marked area.

FRONT PANEL HOLDER

CODE	5	DEFINITION	PACKING
12796472**		Flowbox Front Panel Holder for H144	12 Set

[○] Panel bottom holder for 18 and 16 mm bottom panels are included in package.

COLOR [**]	
White	01
Black	05
Mocha	06
Anthracite	07

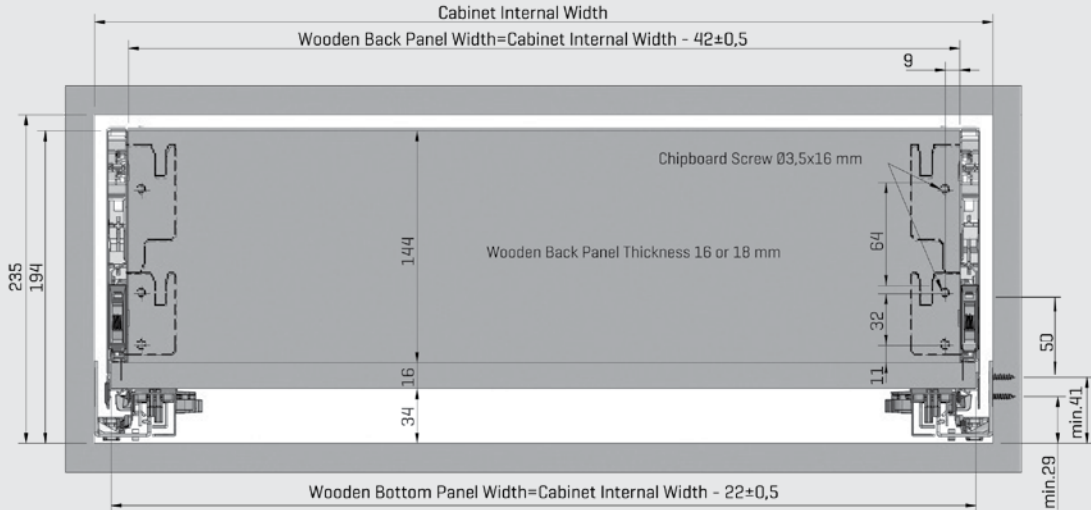
Enter the number of your preferred color to the [**] marked area.

FRONT PANEL

CODE	6	WIDTH	CABINET	PACKING
12796469**0290		450 mm	18 mm	12 Pcs
12796469**0440		600 mm	18 mm	12 Pcs
12796469**0740		900 mm	18 mm	12 Pcs
12796469**1040		1200 mm	18 mm	12 Pcs
12796469**1044		1200 mm	16 mm	12 Pcs

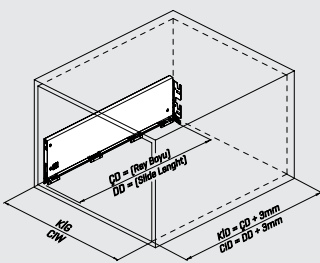
Enter the number of your preferred color to the [**] marked area.

Slide Mounting Dimensions



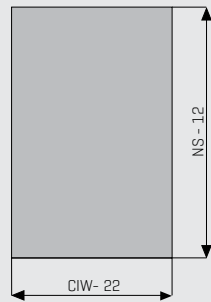
Calculation Method of Front Gallery Railing: Cut Measurement=Cabinet Internal Width - 124
 Calculation Method for Front Panel Dimensions:Cut Measurement=Cabinet Internal Width - 57

Wooden Back Panel Application

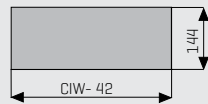


CD Cabinet Depth
 CIW Cabinet Internal Width
 NS Nominal Size

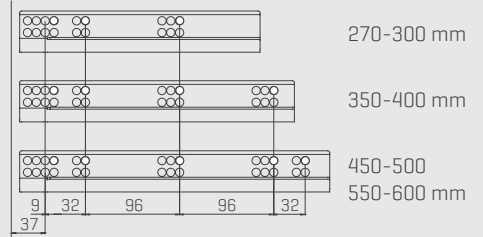
1. Wooden Drawer Bottom



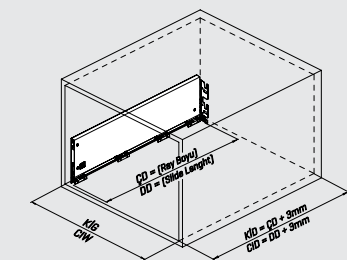
2. Wooden Back Panel



Slide Screw Location (In-Box)

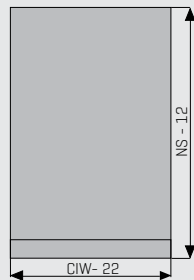


Metal Back Panel Application



CD Cabinet Depth
 CIW Cabinet Internal Width
 NS Nominal Size
 MBW Metal Back Panel Width

3. Wooden Drawer Bottom



Recommended Screws For Rail Assembly

Ø3,5x16 mm Chipboard Screw



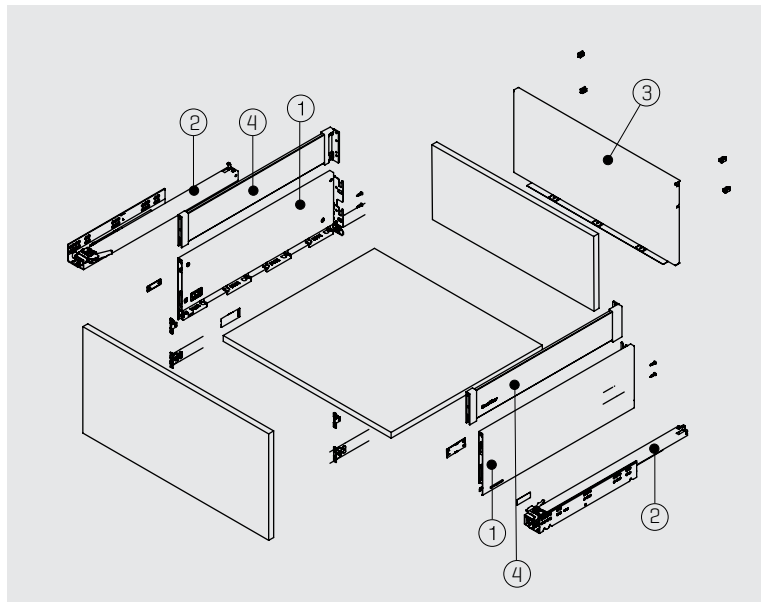
Ø6,1x11,5 mm Euro Screw



*All dimensions in the graphs above are measured in mm

FLOWBOX

H 192 Glass Side Panel



- 12,8 mm ultra thin and elegant side design
- 5 different colours
- 4 different side heights with gallery railing usage
- Smooth and silent movement technology with improved synchronisation
- 270/ 300/ 350/ 400/ 450/ 500/ 550/ 600 mm drawer lengths
- 3D adjustment opportunity (right-left, up-down and tilt)
- Tool-less front panel assembly
- No cutting process for the base panel

NOMINAL SIZE	1-2	144 mm	PACKING
270 mm	127168●3○1**45		6 Set/ Box
300 mm	127168●3○2**45		6 Set/ Box
350 mm	127168●3○3**45		6 Set/ Box
400 mm	127168●3○4**45		6 Set/ Box
450 mm	127168●3○5**45		6 Set/ Box
500 mm	127168●3○6**45		6 Set/ Box
550 mm	127168●3○7**45		6 Set/ Box
600 mm	127168●3○8**45		6 Set/ Box

BOTTOM PANEL [●]	
16 mm	1
18 mm	2

Enter the number of your preferred bottom panel thickness to the [●] marked area.

SLIDE [○]	
Soft Close	8
Push Open	7
Push Open Soft Close	6

Enter the number of your preferred slide to the [○] marked area.

COLOR [**]	
White	01
Inox	04
Black	05
Mocha	06
Anthracite	07

Enter the number of your preferred color to the [**] marked area.

METAL BACKPANEL

NOMINAL SIZE	3	H 230	PACKING
450 mm	127962■21**		12 Pcs
600 mm	127962■22**		12 Pcs
900 mm	127962■23**		12 Pcs
1200 mm	127962■24**		12 Pcs

BOTTOM PANEL THICKNESS - CABIN SIDE [■]	
16 mm - 16 mm	6
18 mm - 16 mm	7
16 mm - 18 mm	8
18 mm - 18 mm	9

Enter the number of your preferred bottom panel / cabin side panel thickness to the [■] marked area.

COLOR [**]	
White	01
Black	05
Mocha	06
Anthracite	07

Enter the number of your preferred color to the [**] marked area.

GLASS SIDE PANEL

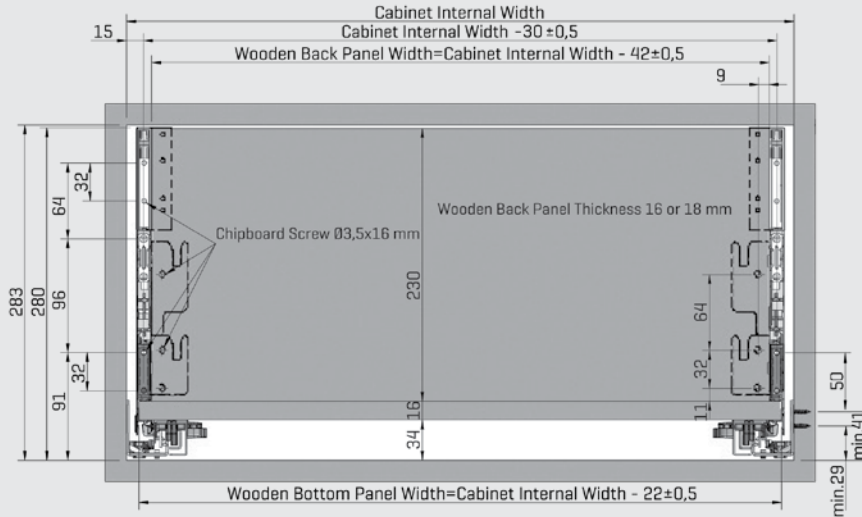
NOMINAL SIZE	4	CODE	PACKING
270 mm		12796491100**	1 Set
300 mm		12796491200**	1 Set
350 mm		12796491300**	1 Set
400 mm		12796491400**	1 Set
450 mm		12796491500**	1 Set
500 mm		12796491600**	1 Set
550 mm		12796491700**	1 Set
600 mm		12796491800**	1 Set

COLOR [**]	
White	01
Black	05
Mocha	06
Anthracite	07

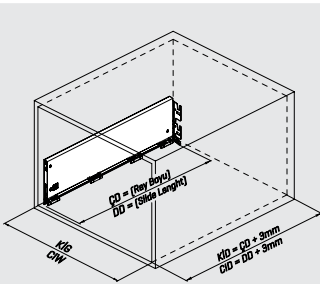
Enter the number of your preferred color to the [**] marked area.

Enter the number of your preferred color to the [**] marked area.

Slide Mounting Dimensions

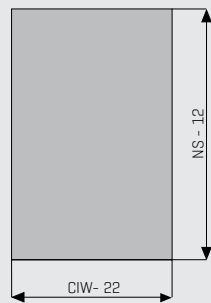


Wooden Back Panel Application

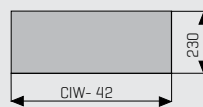


CD Cabinet Depth
CIW Cabinet Internal Width
NS Nominal Size

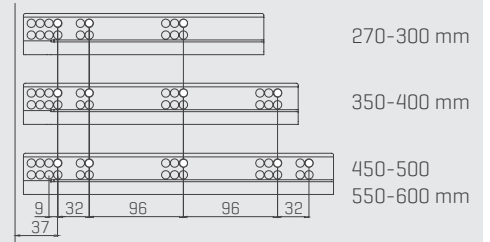
1. Wooden Drawer Bottom



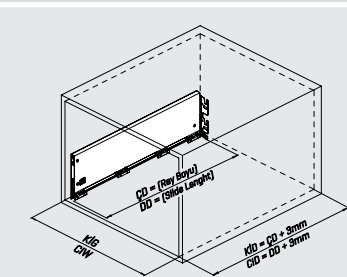
2. Wooden Back Panel



Slide Screw Location

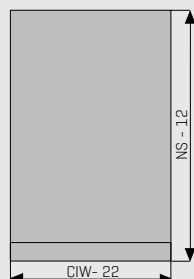


Metal Back Panel Application



CD Cabinet Depth
CIW Cabinet Internal Width
NS Nominal Size
MBW Metal Back Panel Width

3. Wooden Drawer Bottom



Recommended Screws For Rail Assembly

$\emptyset 3,5 \times 16$ mm Chipboard Screw



$\emptyset 6,1 \times 11,5$ mm Euro Screw



*All dimensions in the graphs above are measured in mm

FLOWBOX

Industrial Codes for Drawer Box Systems



H 106 Drawers

- 1-2 Flowbox Side 106 mm Right_Left
- 5-6 Flowbox Slide Right_Left
- 7 Metal Backpanel H 58
- 9 Flowbox Front Connector
- 14 Flowbox Decorative Covers



H 106 Drawers With Gallery Railing

- 1-2 Flowbox Side 106 mm Right_Left
- 5-6 Flowbox Slide Right_Left
- 7 Metal Backpanel H 144
- 8 Flowbox Gallery Railing
- 9 Flowbox Front Connector
- 14 Flowbox Decorative Covers



H 106 In-Box Drawers

- 1-2 Flowbox Side 106 mm Right_Left
- 5-6 Flowbox Slide Right_Left
- 7 Metal Backpanel H 58
- 9 Flowbox Front Connector
- 10 Flowbox Front Panel
- 12 Flowbox Front Panel Holder
- 14 Flowbox Decorative Covers



H 106 In-Box Drawers with Gallery Railing

- 1-2 Flowbox Side 106 mm Right_Left
- 5-6 Flowbox Slide Right_Left
- 7 Metal Backpanel H 144
- 8 Flowbox Gallery Railing
- 11 Front Gallery Railing
- 9 Flowbox Front Connector
- 10 Flowbox Front Panel
- 12 Flowbox Front Panel Holder
- 14 Flowbox Decorative Covers



H 106 Glass Side Panel

- 1-2 Flowbox Side 106 mm Right_Left
- 5-6 Flowbox Slide Right_Left
- 7 Metal Backpanel H 144
- 9 Flowbox Front Connector
- 14 Flowbox Decorative Covers
Glass Side Panel (see pg.236)



Sink Cabinet Drawer Solution For Flowbox H106

- 1 - 2 Flowbox Side 106 mm Right_Left
- 5 - 6 Flowbox Slide Right_Left
- Sink Cabinet Solution (See page 252 and 253)
- 9 Flowbox Front Connector
- 14 Flowbox Decorative Covers



Sink Cabinet Drawer Solution For Flowbox H106 with Gallery Railing

- 1 - 2 Flowbox Side 106 mm Right_Left
- 5 - 6 Flowbox Slide Right_Left
- 8 Gallery Railing
- Sink Cabinet Solution (See page 254 and 255)
- 9 Flowbox Front Connector
- 14 Flowbox Decorative Covers



H 192 Drawers

- 3-4 Flowbox Side 192 mm Right_Left
- 5-6 Flowbox Slide Right_Left
- 7 Metal Backpanel H 240
- 9 Flowbox Front Connector
- 14 Flowbox Decorative Covers



H 192 Drawers With Gallery Railing

- 3-4 Flowbox Side 192 mm Right_Left
- 5-6 Flowbox Slide Right_Left
- 7 Metal Backpanel H 240
- 8 Flowbox Gallery Railing
- 9 Flowbox Front Connector
- 14 Flowbox Decorative Covers



H 192 In-Box Drawers

- 3-4 Flowbox Side 192 mm Right_Left
- 5-6 Flowbox Slide Right_Left
- 7 Metal Backpanel H 144
- 11 Front Gallery Railing
- 9 Flowbox Front Connector
- 10 Flowbox Front Panel
- 12 Flowbox Front Panel Holder
- 14 Flowbox Decorative Covers



H 192 Glass Side Panel

- 3-4 Flowbox Side 192 mm Right_Left
- 5-6 Flowbox Slide Right_Left
- 7 Metal Backpanel H 230
- 9 Flowbox Front Connector
- 14 Flowbox Decorative Covers
Glass Side Panel [see pg.244]



Sink Cabinet Drawer Solution For Flowbox H192

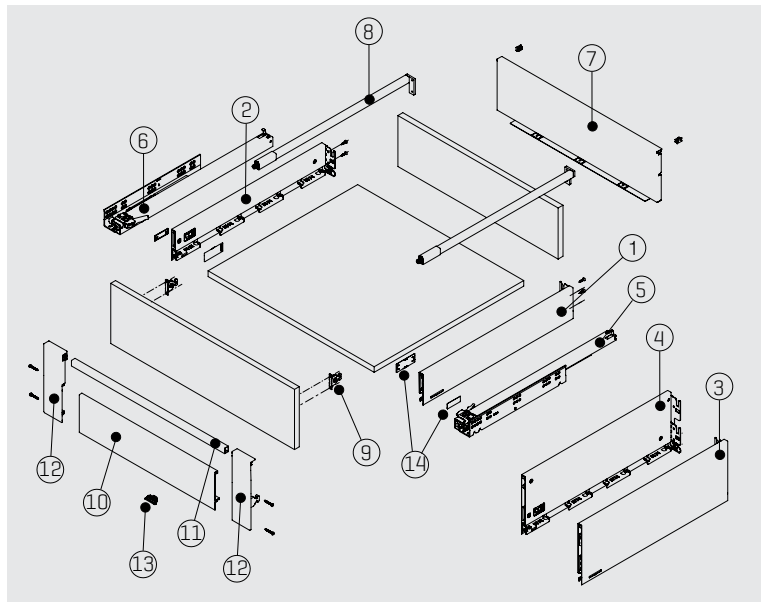
- 3 - 4 Flowbox Side 192 mm Right_Left
- 5 - 6 Flowbox Slide Right_Left
Sink Cabinet Solution (See page 254 and 255)
- 9 Flowbox Front Connector
- 14 Flowbox Decorative Covers

FLOWBOX

Industrial Codes for Drawer Box Systems



- 12,8 mm ultra thin and elegant side design
- 4 standard, 2 special colour options
- 4 different side heights with gallery railing usage
- Smooth and silent movement technology with improved synchronisation
- 270/ 300/ 350/ 400/ 450/ 500/ 550/ 600 mm drawer lengths
- 3D adjustment opportunity (right-left, up-down and tilt)
- Tool-less front panel assembly
- No cutting process for the base panel



FLOWBOX SIDE

1-2

NOMINAL SIZE	106 mm _RIGHT	106 mm _LEFT	PACKING
270 mm	127161●1**01	127161●1**02	24 Pcs
300 mm	127161●2**01	127161●2**02	24 Pcs
350 mm	127161●3**01	127161●3**02	24 Pcs
400 mm	127161●4**01	127161●4**02	24 Pcs
450 mm	127161●5**01	127161●5**02	24 Pcs
500 mm	127161●6**01	127161●6**02	24 Pcs
550 mm	127161●7**01	127161●7**02	24 Pcs
600 mm	127161●8**01	127161●8**02	24 Pcs

3-4

NOMINAL SIZE	192 mm _RIGHT	192 mm _LEFT	PACKING
270 mm	127162●1**01	127162●1**02	12 Pcs
300 mm	127162●2**01	127162●2**02	12 Pcs
350 mm	127162●3**01	127162●3**02	12 Pcs
400 mm	127162●4**01	127162●4**02	12 Pcs
450 mm	127162●5**01	127162●5**02	12 Pcs
500 mm	127162●6**01	127162●6**02	12 Pcs
550 mm	127162●7**01	127162●7**02	12 Pcs
600 mm	127162●8**01	127162●8**02	12 Pcs

BOTTOM PANEL [●]

16 mm	1
18 mm	2

Enter the number of your preferred bottom panel thickness to the [●] marked area.

COLOR [**]

White	01
Inox	04
Black	05
Mocha	06
Anthracite	07

Enter the number of your preferred color to the [**] marked area.

FLOWBOX SLIDE

5-6

NOMINAL SIZE	SOFT CLOSE		PUSH OPEN		SOFT CLOSE & PUSH OPEN		PACKING
	RIGHT	LEFT	RIGHT	LEFT	RIGHT	LEFT	
270 mm	127168310001	127168310002	127167310001	127167310002	127166310001	127166310001	12 Pcs
300 mm	127168320001	127168320002	127167320001	127167320002	127166320001	127166320001	12 Pcs
350 mm	127168330001	127168330002	127167330001	127167330002	127166330001	127166330001	12 Pcs
400 mm	127168340001	127168340002	127167340001	127167340002	127166340001	127166340001	12 Pcs
450 mm	127168350001	127168350002	127167350001	127167350002	127166350001	127166350001	12 Pcs
500 mm	127168360001	127168360002	127167360001	127167360002	127166360001	127166360001	12 Pcs
550 mm	127168370001	127168370002	127167370001	127167370002	127166370001	127166370001	12 Pcs
600 mm	127168380001	127168380002	127167380001	127167380002	127166380001	127166380001	12 Pcs

METAL BACKPANEL

7

	H 58	H 144	H 230	H 240	PACKING	BOTTOM PANEL THICKNESS - CABIN SIDE [■] PANEL THICKNESS	
450 mm	127962■01**	127962■11**	127962■21**	127962■31**	12 Pcs	16 mm - 16 mm	6
600 mm	127962■02**	127962■12**	127962■22**	127962■32**	12 Pcs	18 mm - 16 mm	7
900 mm	127962■03**	127962■13**	127962■23**	127962■33**	12 Pcs	16 mm - 18 mm	8
1200 mm	127962■04**	127962■14**	127962■24**	127962■34**	12 Pcs	18 mm - 18 mm	9

Enter the number of your preferred bottom panel / cabin side panel thickness to the [■] marked area.

FLOWBOX GALLERY RAILING

8

NOMINAL SIZE	WOODEN BACK PANEL	METAL BACKPANEL	PACKING	COLOR [**]		CONNECTOR [●]	
270 mm	1279614●1**	1279615●1**	12 Set	White	01	Screw	1
300 mm	1279614●2**	1279615●2**	12 Set	Black	05	Dowel	2
350 mm	1279614●3**	1279615●3**	12 Set	Mocha	06	Enter the number of your preferred connector to the [●] marked area.	
400 mm	1279614●4**	1279615●4**	12 Set	Anthracite	07	Enter the number of your preferred color to the [**] marked area.	
450 mm	1279614●5**	1279615●5**	12 Set				
500 mm	1279614●6**	1279615●6**	12 Set				
550 mm	1279614●7**	1279615●7**	12 Set				
600 mm	1279614●8**	1279615●8**	12 Set				

FLOWBOX FRONT CONNECTOR

9

CONNECTOR	CODE	DEFINITION	PACKING
Screw	127974121	Flowbox Front Connector	500 Pcs
	127964122	Flowbox H 192 Side Upper Front Connector (Only Needed for H 192 Side)	500 Pcs
Dowel	127974125	Flowbox Front Connector	500 Pcs
	127964129	Flowbox H 192 Side Upper Front Connector (Only Needed for H 192 Side)	500 Pcs

FRONT PANEL

10

With Gallery Railing	Without Gallery Railing	WIDTH	CABINET	PACKING
12796469**0290	1279646**0290	450 mm	18 mm	12 Pcs
12796469**0440	1279646**0440	600 mm	18 mm	12 Pcs
12796469**0740	1279646**0740	900 mm	18 mm	12 Pcs
12796469**1040	1279646**1040	1200 mm	18 mm	12 Pcs
12796469**1044	1279646**1044	1200 mm	16 mm	12 Pcs

Enter the number of your preferred color to the [**] marked area.

FRONT GALLERY RAILING

11

CODE	WIDTH	CABINET 4	PACKING
1279616**0357	450 mm	18 mm	12 Pcs
1279616**0507	600 mm	18 mm	12 Pcs
1279616**0807	900 mm	18 mm	12 Pcs
1279616**1107	1200 mm	18 mm	12 Pcs
1279616**1111	1200 mm	16 mm	12 Pcs

Enter the number of your preferred color to the [**] marked area.

FLOWBOX FRONT PANEL HOLDER

12

CODE	DEFINITION	PACKING
1279647 □ **	Flowbox FRONT PANEL HOLDER	12 Set

□ Panel bottom holder for 18 and 16 mm bottom panels are included in package.

FRONT PANEL HOLDER [□]	
H 106 Side Without Gallery Railing	0
H 106 Side With Gallery Railing	1
H 192 Side	2

FLOWBOX FRONT PANEL BOTTOM HOLDER

13

BOTTOM PANEL	CODE	COLOR	PACKING
16 mm	12790482	Grey	500 Pcs
18 mm	12790481	Grey	500 Pcs

COLOR [**]	
White	01
Black	05
Mocha	06
Anthracite	07

Enter the number of your preferred color to the [**] marked area.

FLOWBOX DECORATIVE COVERS

14

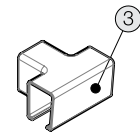
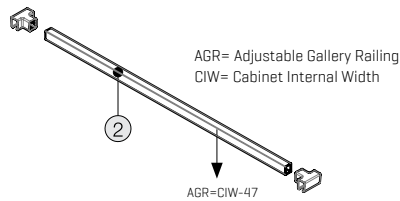
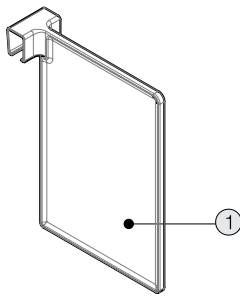
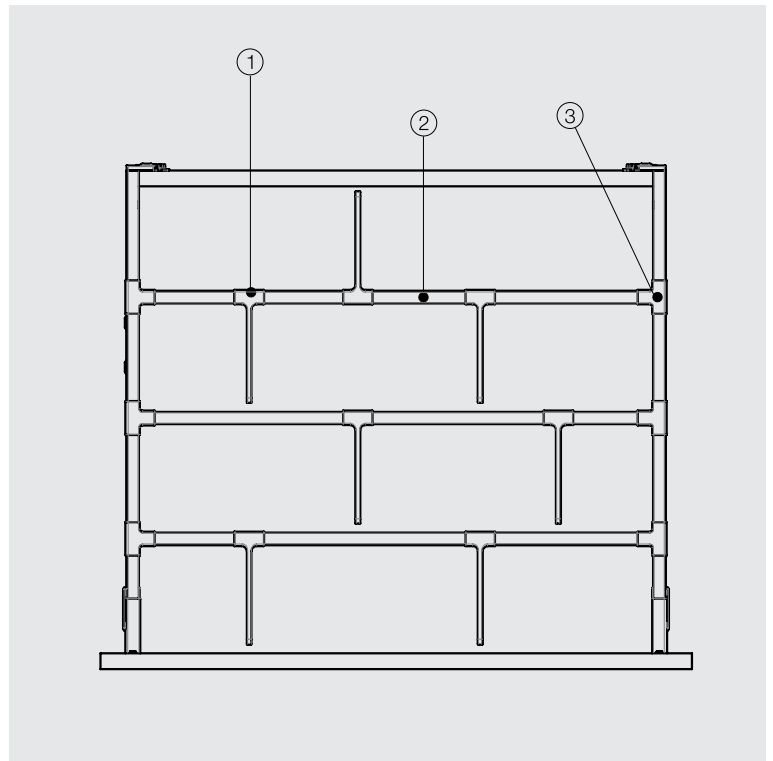
COLOUR	INNER	OUTER	PACKING	LOGO [⊙⊙⊙]	
Anthracite	127975107001	127975207⊙⊙⊙	1000 Pcs (Right-Left)	Samet	001
Mocha	127965106001	127965206⊙⊙⊙	1000 Pcs (Right-Left)	No Logo	999
Black	127965105001	127965205⊙⊙⊙	1000 Pcs (Right-Left)	Enter the number of your preferred logo number to the [⊙⊙⊙] marked area.	
White	127975101001	127965201⊙⊙⊙	1000 Pcs (Right-Left)		
Grey For Inox Side Panel	127975103001	127965203⊙⊙⊙	1000 Pcs (Right-Left)		

FLOWBOX

Inside Drawer Dividing Systems



- Adjustable cross dividing and lateral dividers.
- Various color options.
- Easy to remove and position.



Drawer Inside Dividing Systems

CODE	1	PACKING
12796450**		20 Pcs/ Crt.

COLOR [**]	
White	01
Black	05
Mocha	06
Anthracite	07

Adjustable Gallery Railing

CODE	2	LENGTH	PACKING
1279617**1121		1121 mm	10 Pcs/ Crt.

Enter the number of your preferred color to the [**] marked area.

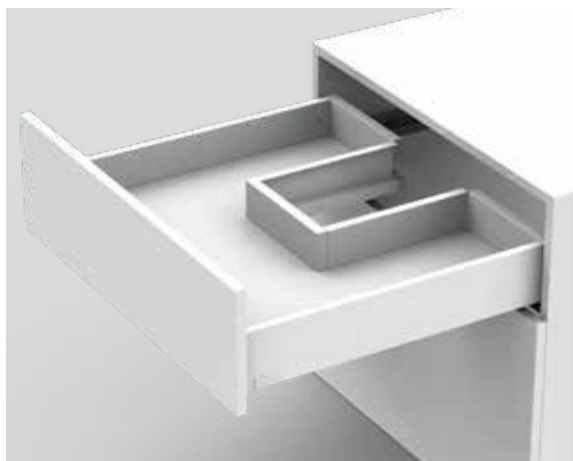
Calculation Method of Front Gallery Railing: Cut Measurement=Cabinet Internal Width - 47

Adapter for Gallery Railing

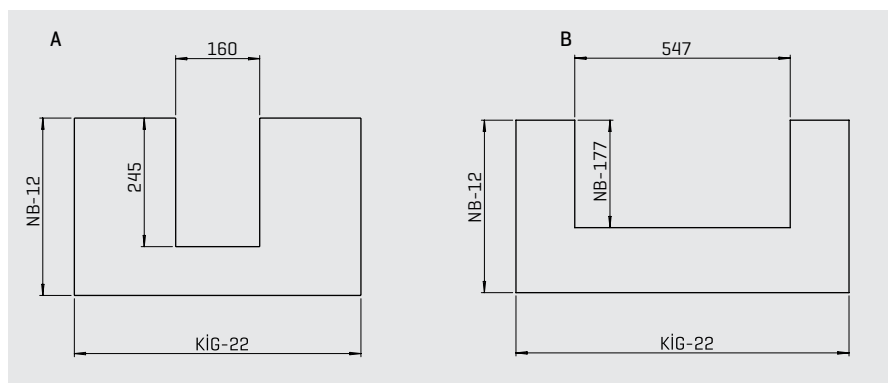
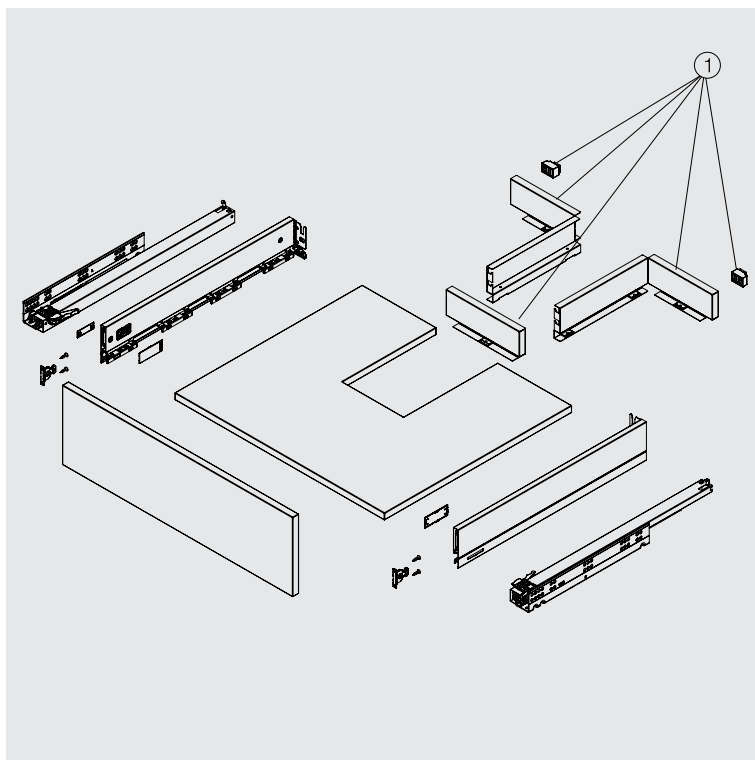
CODE	3	PACKING
12796489**		200 Pcs/ Crt.



Sink Cabinet Solution for Flowbox H106



- Great harmony with ultra-thin sides of Flowbox
- Easy assembly
- 4 different color options
- Suitable for 350/450/500 drawer sizes
- Flowbox drawer is not included, it has to be ordered separately

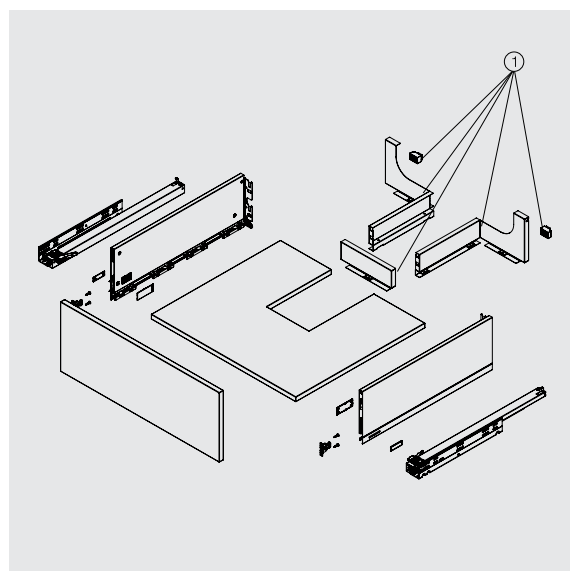
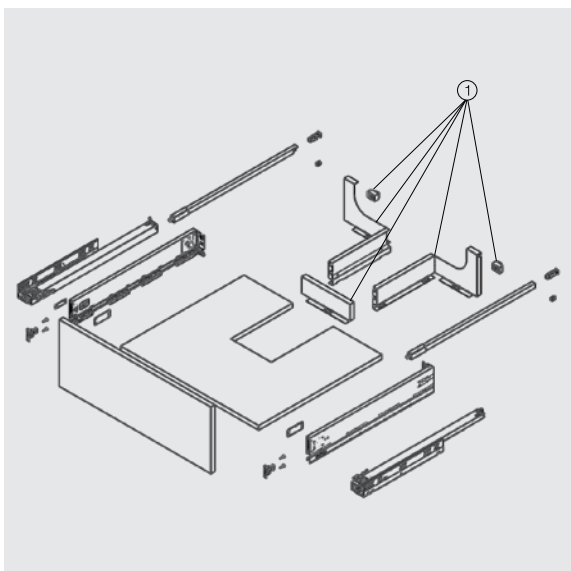


	Cabinet Width		
NOMINAL SIZE	450	600	900
350	A	A	A
450	A	A	B
500	A	A	B

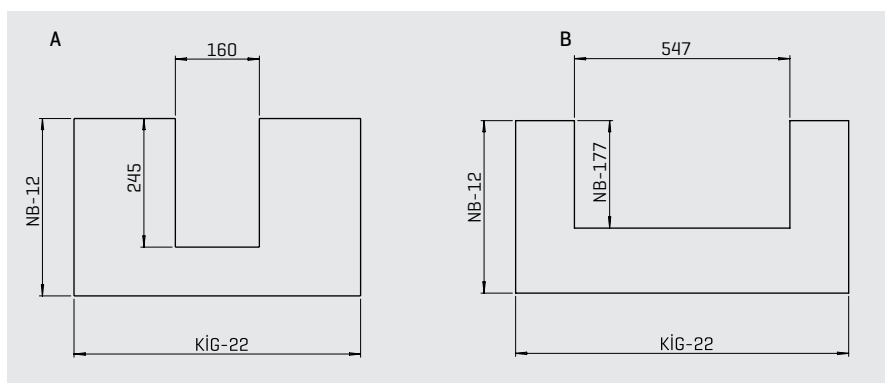
1

CODE	SINK PANEL HEIGHT	BOX SYSTEM SIDE HEIGHT	BOTTOM PANEL THICKNESS MM	WIDTH MM	LENGTH MM	COLOR
12716469510430100	H58	H106	16	450	350/450/500	White
12716469510430500	H58	H106	16	450	350/450/500	Black
12716469510430600	H58	H106	16	450	350/450/500	Mocha
12716469510430700	H58	H106	16	450	350/450/500	Anthracite
12716469510730100	H58	H106	16	600	350/450/500	White
12716469510730500	H58	H106	16	600	350/450/500	Black
12716469510730600	H58	H106	16	600	350/450/500	Mocha
12716469510730700	H58	H106	16	600	350/450/500	Anthracite
12716469511330100	H58	H106	16	900	350	White
12716469511330500	H58	H106	16	900	350	Black
12716469511330600	H58	H106	16	900	350	Mocha
12716469511330700	H58	H106	16	900	350	Anthracite
12716469511350100	H58	H106	16	900	450	White
12716469511350500	H58	H106	16	900	450	Black
12716469511350600	H58	H106	16	900	450	Mocha
12716469511350700	H58	H106	16	900	450	Anthracite
12716469511360100	H58	H106	16	900	500	White
12716469511360500	H58	H106	16	900	500	Black
12716469511360600	H58	H106	16	900	500	Mocha
12716469511360700	H58	H106	16	900	500	Anthracite
12716469511660100	H58	H106	16	1200	500	White
12716469511660500	H58	H106	16	1200	500	Black
12716469511660600	H58	H106	16	1200	500	Mocha
12716469511660700	H58	H106	16	1200	500	Anthracite
12716469540430100	H58	H106	18	450	350/450/500	White
12716469540430500	H58	H106	18	450	350/450/500	Black
12716469540430600	H58	H106	18	450	350/450/500	Mocha
12716469540430700	H58	H106	18	450	350/450/500	Anthracite
12716469540730100	H58	H106	18	600	350/450/500	White
12716469540730500	H58	H106	18	600	350/450/500	Black
12716469540730600	H58	H106	18	600	350/450/500	Mocha
12716469540730700	H58	H106	18	600	350/450/500	Anthracite
12716469541330100	H58	H106	18	900	350	White
12716469541330500	H58	H106	18	900	350	Black
12716469541330600	H58	H106	18	900	350	Mocha
12716469541330700	H58	H106	18	900	350	Anthracite
12716469541350100	H58	H106	18	900	450	White
12716469541350500	H58	H106	18	900	450	Black
12716469541350600	H58	H106	18	900	450	Mocha
12716469541350700	H58	H106	18	900	450	Anthracite
12716469541360100	H58	H106	18	900	500	White
12716469541360500	H58	H106	18	900	500	Black
12716469541360600	H58	H106	18	900	500	Mocha
12716469541360700	H58	H106	18	900	500	Anthracite
12716469541660100	H58	H106	18	1200	500	White
12716469541660500	H58	H106	18	1200	500	Black
12716469541660600	H58	H106	18	1200	500	Mocha

Sink Cabinet Drawer Solution for Flowbox H106 with Gallery Railing and Flowbox H192



- Great harmony with ultra-thin sides of Flowbox
- Easy assembly
- 4 different color options
- Suitable for 350/450/500 drawer sizes
- Flowbox drawer is not included, it has to be ordered separately
- Gallery railing for metal backpanel must be used.



Cabinet Width			
NOMINAL SIZE	450	600	900
350	A	A	A
450	A	A	B
500	A	A	B

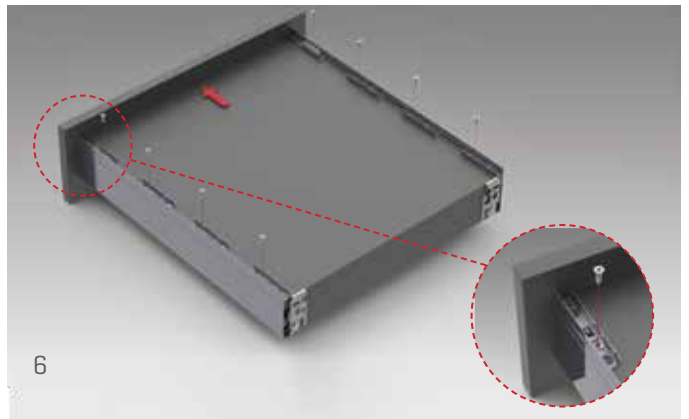
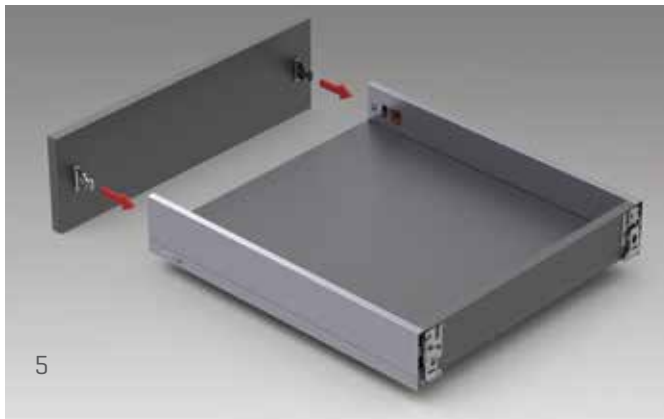
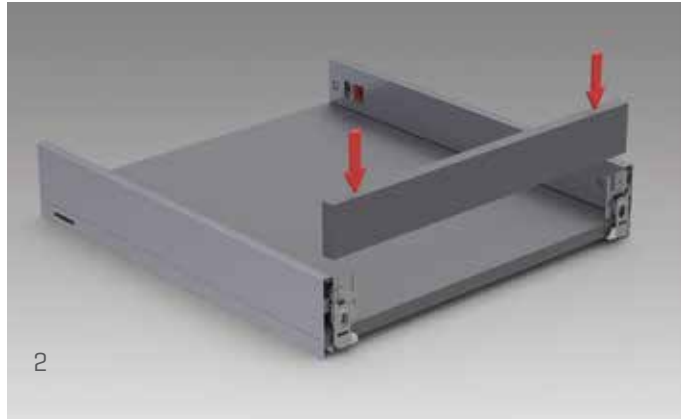
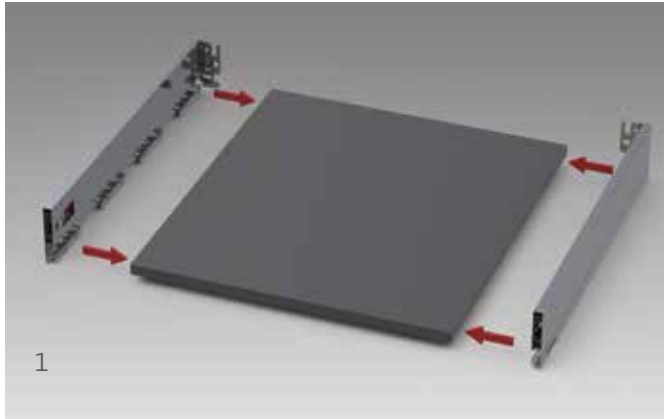
Sink Cabinet Drawer Solution for Flowbox H106 with Gallery Railing and Flowbox H192 Code List



1						
CODE	SINK PANEL HEIGHT	BOX SYSTEM SIDE HEIGHT	BOTTOM PANEL THICKNESS MM	WIDTH MM	LENGTH MM	COLOR
12716469610430100	H144	H106 with Gallery Railing / H192	16	450	350/450/500	White
12716469610430500	H144	H106 with Gallery Railing / H192	16	450	350/450/500	Black
12716469610430600	H144	H106 with Gallery Railing / H192	16	450	350/450/500	Mocha
12716469610430700	H144	H106 with Gallery Railing / H192	16	450	350/450/500	Anthracite
12716469610730100	H144	H106 with Gallery Railing / H192	16	600	350/450/500	White
12716469610730500	H144	H106 with Gallery Railing / H192	16	600	350/450/500	Black
12716469610730600	H144	H106 with Gallery Railing / H192	16	600	350/450/500	Mocha
12716469610730700	H144	H106 with Gallery Railing / H192	16	600	350/450/500	Anthracite
12716469611330100	H144	H106 with Gallery Railing / H192	16	900	350	White
12716469611330500	H144	H106 with Gallery Railing / H192	16	900	350	Black
12716469611330600	H144	H106 with Gallery Railing / H192	16	900	350	Mocha
12716469611330700	H144	H106 with Gallery Railing / H192	16	900	350	Anthracite
12716469611350100	H144	H106 with Gallery Railing / H192	16	900	450	White
12716469611350500	H144	H106 with Gallery Railing / H192	16	900	450	Black
12716469611350600	H144	H106 with Gallery Railing / H192	16	900	450	Mocha
12716469611350700	H144	H106 with Gallery Railing / H192	16	900	450	Anthracite
12716469611360100	H144	H106 with Gallery Railing / H192	16	900	500	White
12716469611360500	H144	H106 with Gallery Railing / H192	16	900	500	Black
12716469611360600	H144	H106 with Gallery Railing / H192	16	900	500	Mocha
12716469611360700	H144	H106 with Gallery Railing / H192	16	900	500	Anthracite
12716469611660100	H144	H106 with Gallery Railing / H192	16	1200	500	White
12716469611660500	H144	H106 with Gallery Railing / H192	16	1200	500	Black
12716469611660600	H144	H106 with Gallery Railing / H192	16	1200	500	Mocha
12716469611660700	H144	H106 with Gallery Railing / H192	16	1200	500	Anthracite
12716469640430100	H144	H106 with Gallery Railing / H192	18	450	350/450/500	White
12716469640430500	H144	H106 with Gallery Railing / H192	18	450	350/450/500	Black
12716469640430600	H144	H106 with Gallery Railing / H192	18	450	350/450/500	Mocha
12716469640430700	H144	H106 with Gallery Railing / H192	18	450	350/450/500	Anthracite
12716469640730100	H144	H106 with Gallery Railing / H192	18	600	350/450/500	White
12716469640730500	H144	H106 with Gallery Railing / H192	18	600	350/450/500	Black
12716469640730600	H144	H106 with Gallery Railing / H192	18	600	350/450/500	Mocha
12716469640730700	H144	H106 with Gallery Railing / H192	18	600	350/450/500	Anthracite
12716469641330100	H144	H106 with Gallery Railing / H192	18	900	350	White
12716469641330500	H144	H106 with Gallery Railing / H192	18	900	350	Black
12716469641330600	H144	H106 with Gallery Railing / H192	18	900	350	Mocha
12716469641330700	H144	H106 with Gallery Railing / H192	18	900	350	Anthracite
12716469641350100	H144	H106 with Gallery Railing / H192	18	900	450	White
12716469641350500	H144	H106 with Gallery Railing / H192	18	900	450	Black
12716469641350600	H144	H106 with Gallery Railing / H192	18	900	450	Mocha
12716469641350700	H144	H106 with Gallery Railing / H192	18	900	450	Anthracite
12716469641360100	H144	H106 with Gallery Railing / H192	18	900	500	White
12716469641360500	H144	H106 with Gallery Railing / H192	18	900	500	Black
12716469641360600	H144	H106 with Gallery Railing / H192	18	900	500	Mocha
12716469641360700	H144	H106 with Gallery Railing / H192	18	900	500	Anthracite
12716469641660100	H144	H106 with Gallery Railing / H192	18	1200	500	White
12716469641660500	H144	H106 with Gallery Railing / H192	18	1200	500	Black
12716469641660600	H144	H106 with Gallery Railing / H192	18	1200	500	Mocha

FLOWBOX

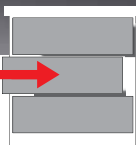
Assembly Instructions



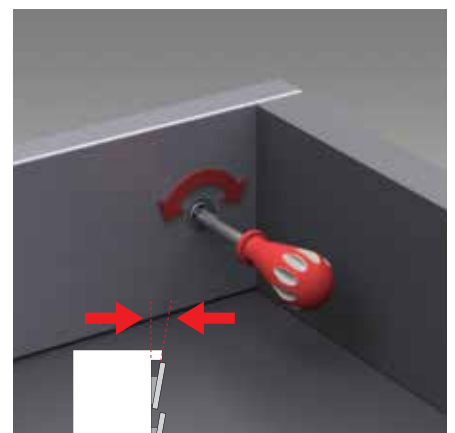
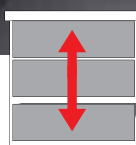
ADJUSTMENTS

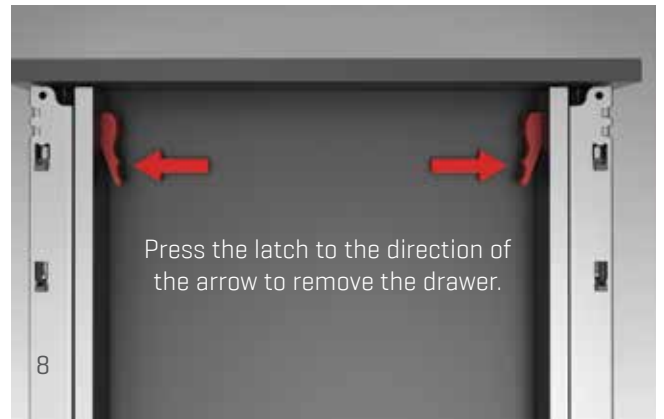
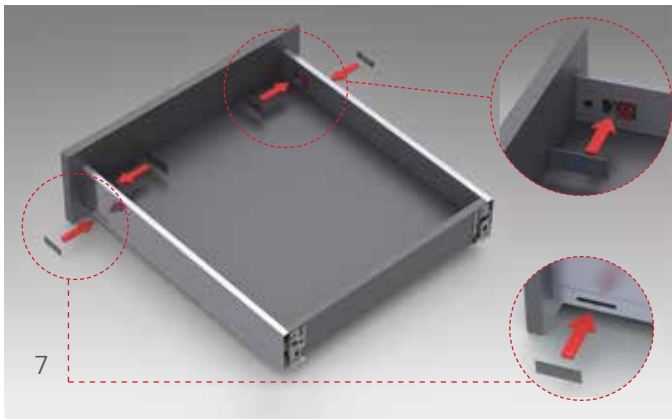
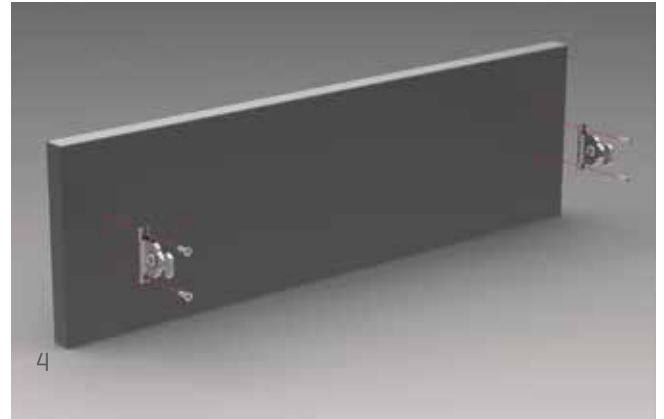
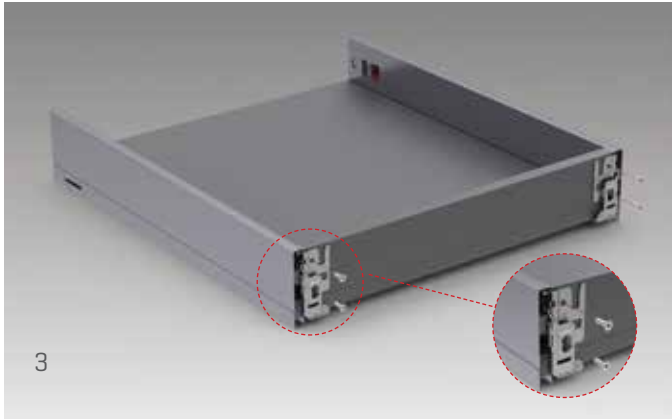


$\pm 1,5 \text{ mm}$

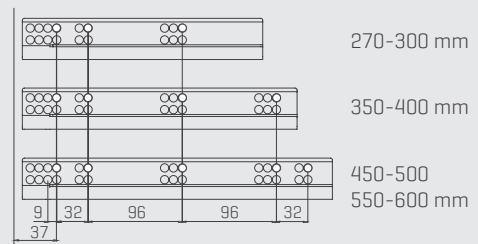


$\pm 2 \text{ mm}$



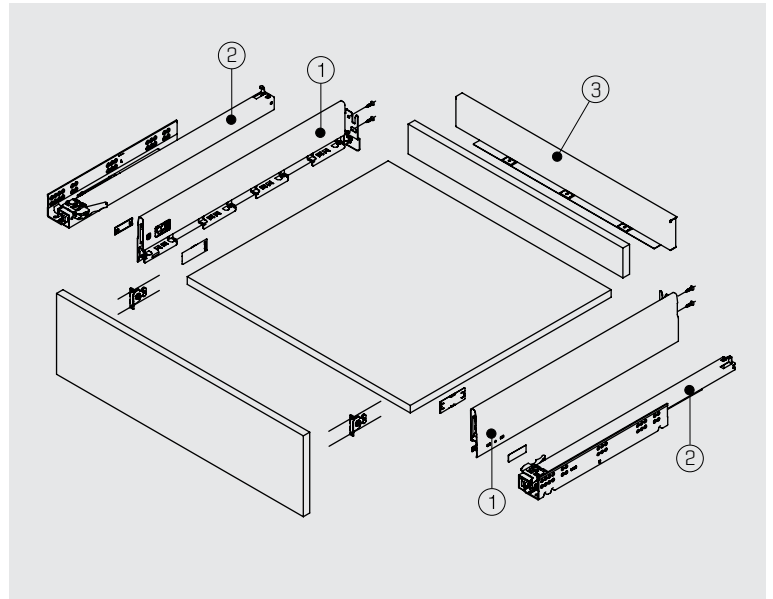


Slide Screw Location



ALPHABOX

H116 Drawer



- Maximum user comfort inside drawer with thin sided esthetic design
- White, grey and anthracite colour options
- Customizable and unlimited gallery railing option
- Excellent function with improved synchronisation
- 270/ 300/ 350/ 400/ 450/ 500/ 550/ 600 mm drawer lengths
- Easy mounting and ergonomic adjustment opportunity
- Tool-less front panel assembly
- No cutting process for the base panel

NOMINAL SIZE	1-2	PACKING
270 mm	127177●3○1**45	6 Set/ Box
300 mm	127177●3○2**45	6 Set/ Box
350 mm	127177●3○3**45	6 Set/ Box
400 mm	127177●3○4**45	6 Set/ Box
450 mm	127177●3○5**45	6 Set/ Box
500 mm	127177●3○6**45	6 Set/ Box
550 mm	127177●3○7**45	6 Set/ Box
600 mm	127177●3○8**45	6 Set/ Box

BOTTOM PANEL [●]	
16 mm	3
18 mm	4

Enter the number of your preferred bottom panel thickness to the [●] marked area.

SLIDE [○]	
Soft Close	8
Push Open	7
Push Open Soft Close	6

Enter the number of your preferred slide to the [○] marked area.

COLOR [**]	
White	01
Grey	03
Anthracite	07

Enter the number of your preferred color to the [**] marked area.

METAL BACKPANEL

NOMINAL SIZE	3	H 63	PACKING
450 mm	127972■01**		12 Pcs
600 mm	127972■02**		12 Pcs
900 mm	127972■03**		12 Pcs
1200 mm	127972■04**		12 Pcs

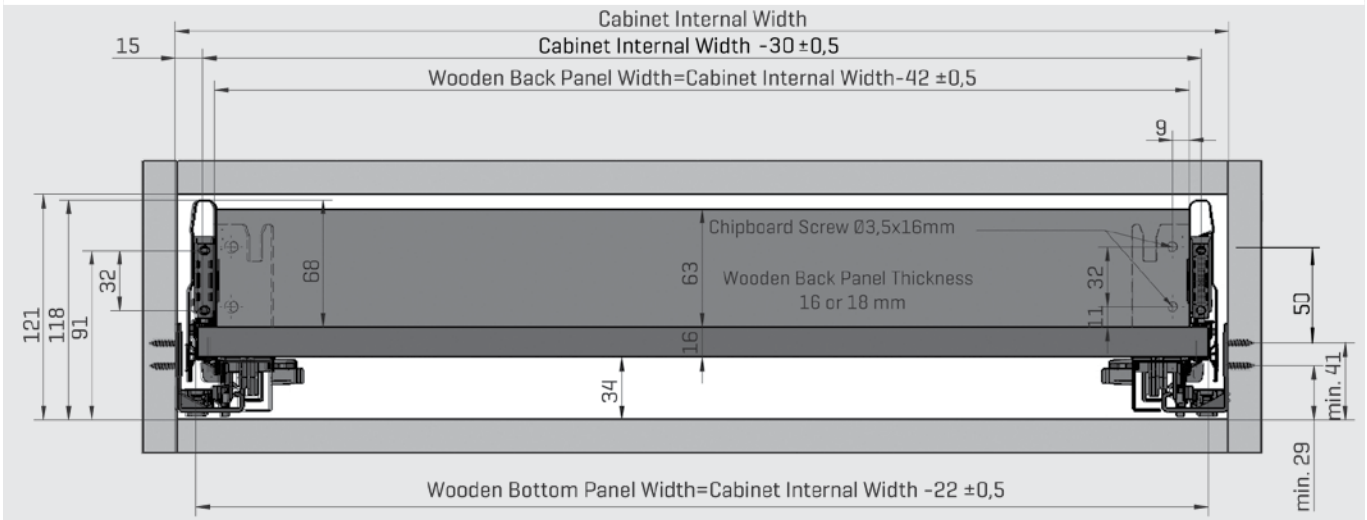
BOTTOM PANEL THICKNESS - CABIN SIDE [■]	
16 mm - 16 mm	6
18 mm - 16 mm	7
16 mm - 18 mm	8
18 mm - 18 mm	9

Enter the number of your preferred bottom panel / cabin side panel thickness to the [■] marked area.

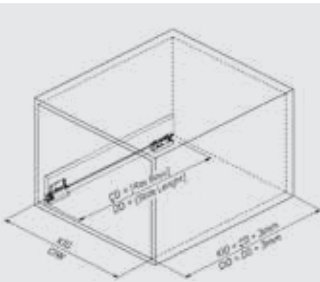
COLOR [**]	
White	01
Grey	03
Anthracite	07

Enter the number of your preferred color to the [**] marked area.

Slide Mounting Dimensions

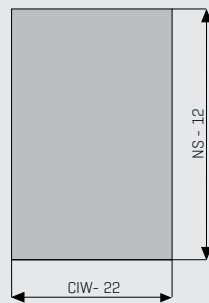


Wooden Back Panel Application

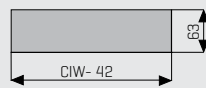


CD Cabinet Depth
CIW Cabinet Internal Width
NS Nominal Size

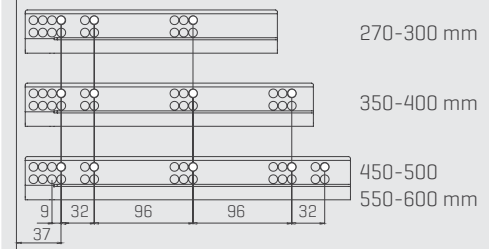
1. Wooden Drawer Bottom



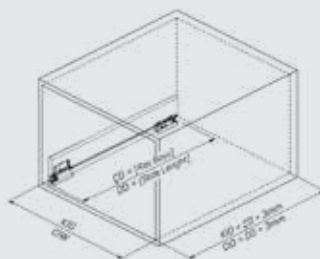
2. Wooden Back Panel



Slide Screw Location

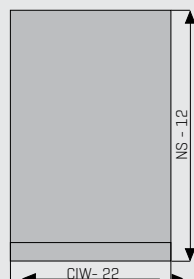


Metal Back Panel Application



CD Cabinet Depth
CIW Cabinet Internal Width
NS Nominal Size
MBW Metal Back Panel Width

3. Wooden Drawer Bottom



Recommended Screws For Rail Assembly

Ø3,5x16 mm Chipboard Screw



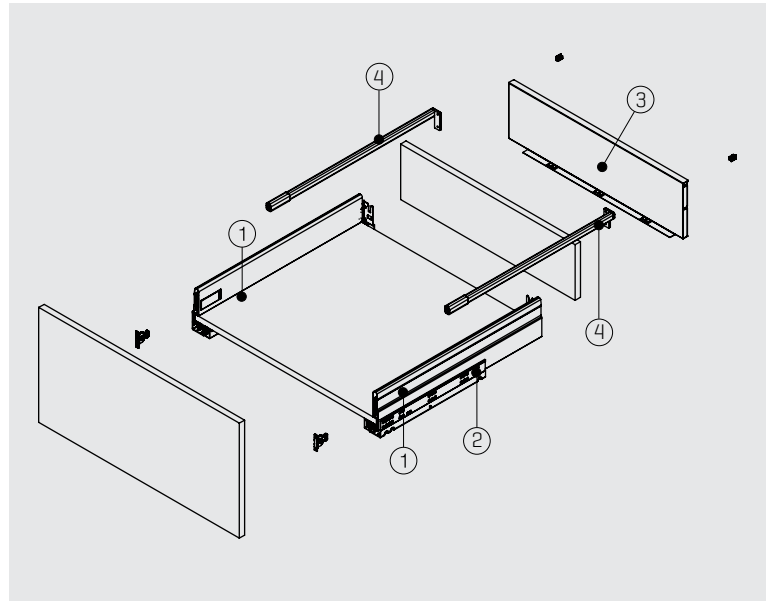
Ø6,1x11,5 mm Euro Screw



*All dimensions in the graphs above are measured in mm

ALPHABOX

H116 Drawer with Gallery Railing



- Maximum user comfort inside drawer with thin sided esthetic design
- White, grey and anthracite colour options
- Customizable and unlimited gallery railing option
- Excellent function with improved synchronisation
- 270/ 300/ 350/ 400/ 450/ 500/ 550/ 600 mm drawer lengths
- Easy mounting and ergonomic adjustment opportunity
- Tool-less front panel assembly
- No cutting process for the base panel

NOMINAL SIZE	1-2	PACKING
270 mm	127177●3○1**45	6 Set/ Box
300 mm	127177●3○2**45	6 Set/ Box
350 mm	127177●3○3**45	6 Set/ Box
400 mm	127177●3○4**45	6 Set/ Box
450 mm	127177●3○5**45	6 Set/ Box
500 mm	127177●3○6**45	6 Set/ Box
550 mm	127177●3○7**45	6 Set/ Box
600 mm	127177●3○8**45	6 Set/ Box

BOTTOM PANEL [●]	
16 mm	3
18 mm	4

Enter the number of your preferred bottom panel thickness to the [●] marked area.

SLIDE [○]	
Soft Close	8
Push Open	7
Push Open Soft Close	6

Enter the number of your preferred slide to the [○] marked area.

COLOR [**]	
White	01
Grey	03
Anthracite	07

Enter the number of your preferred color to the [**] marked area.

METAL BACKPANEL

NOMINAL SIZE	3	H 144	PACKING
450 mm	127972■11**		12 Pcs
600 mm	127972■12**		12 Pcs
900 mm	127972■13**		12 Pcs
1200 mm	127972■14**		12 Pcs

BOTTOM PANEL THICKNESS - CABIN SIDE [■]	
16 mm - 16 mm	6
18 mm - 16 mm	7
16 mm - 18 mm	8
18 mm - 18 mm	9

Enter the number of your preferred bottom panel / cabin side panel thickness to the [■] marked area.

COLOR [**]	
White	01
Grey	03
Anthracite	07

Enter the number of your preferred color to the [**] marked area.

ALPHABOX GALLERY RAILING

NOMINAL SIZE	4	WOODEN BACK PANEL	METAL BACKPANEL	PACKING
270 mm		1279714●1**	1279715●1**	12 Set
300 mm		1279714●2**	1279715●2**	12 Set
350 mm		1279714●3**	1279715●3**	12 Set
400 mm		1279714●4**	1279715●4**	12 Set
450 mm		1279714●5**	1279715●5**	12 Set
500 mm		1279714●6**	1279715●6**	12 Set
550 mm		1279714●7**	1279715●7**	12 Set
600 mm		1279714●8**	1279715●8**	12 Set

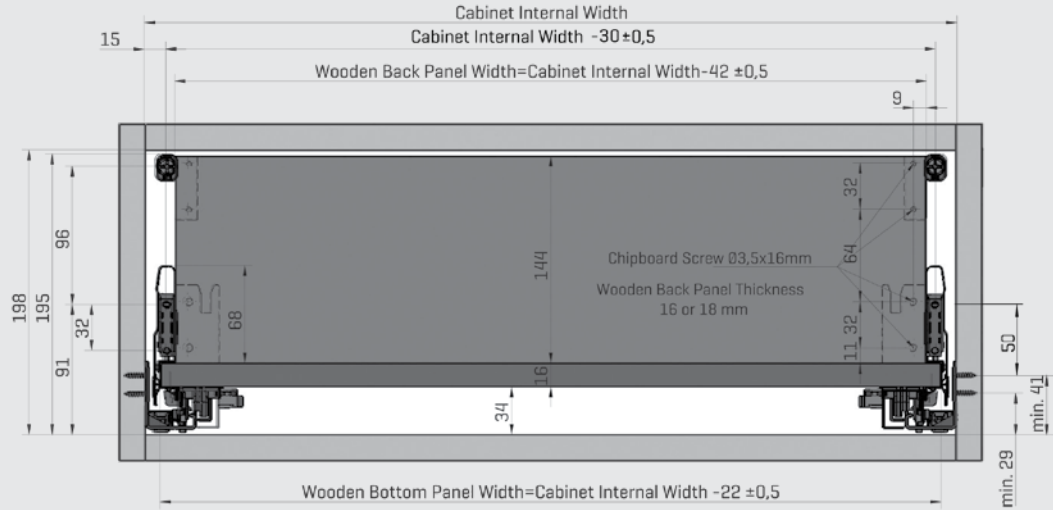
COLOR [**]	
White	01
Grey	03
Anthracite	07

Enter the number of your preferred color to the [**] marked area.

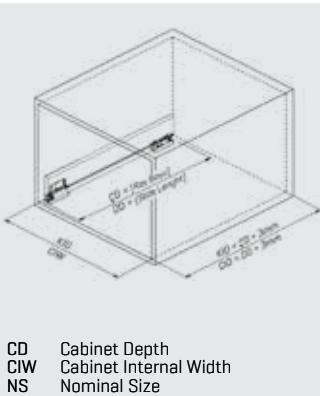
CONNECTOR [●]	
Screw	1
Dowel	2

Enter the number of your preferred connector to the [●] marked area.

Slide Mounting Dimensions

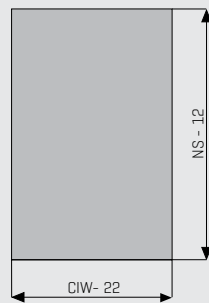


Wooden Back Panel Application

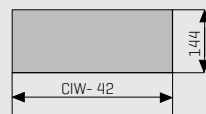


CD Cabinet Depth
CIW Cabinet Internal Width
NS Nominal Size

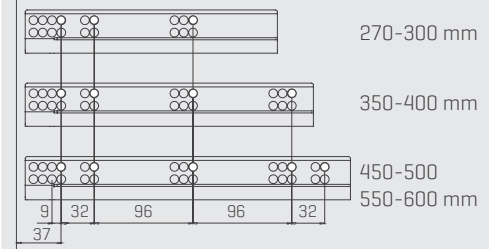
1. Wooden Drawer Bottom



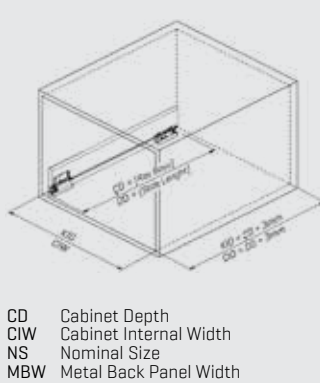
2. Wooden Back Panel



Slide Screw Location

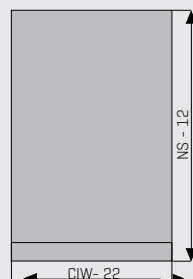


Metal Back Panel Application



CD Cabinet Depth
CIW Cabinet Internal Width
NS Nominal Size
MBW Metal Back Panel Width

3. Wooden Drawer Bottom



Recommended Screws For Rail Assembly

$\varnothing 3,5 \times 16 \text{ mm}$ Chipboard Screw



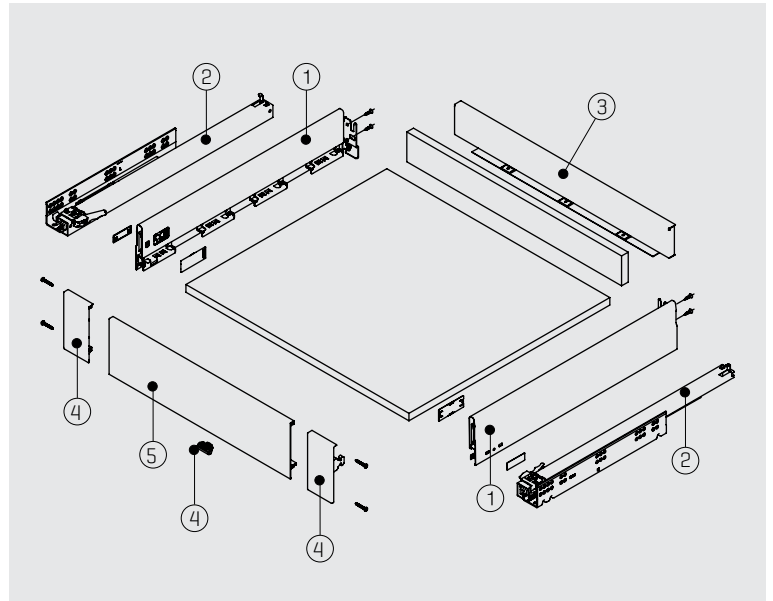
$\varnothing 6,1 \times 11,5 \text{ mm}$ Euro Screw



*All dimensions in the graphs above are measured in mm

ALPHABOX

H116 In-Box Drawer



- Maximum user comfort inside drawer with thin sided esthetic design
- White, grey and anthracite colour options
- Customizable and unlimited gallery railing option
- Excellent function with improved synchronisation
- 270/ 300/ 350/ 400/ 450/ 500/ 550/ 600 mm drawer lengths
- Easy mounting and ergonomic adjustment opportunity
- Tool-less front panel assembly
- No cutting process for the base panel

NOMINAL SIZE	1-2	PACKING
270 mm	127177●3⊙1**45	6 Set/ Box
300 mm	127177●3⊙2**45	6 Set/ Box
350 mm	127177●3⊙3**45	6 Set/ Box
400 mm	127177●3⊙4**45	6 Set/ Box
450 mm	127177●3⊙5**45	6 Set/ Box
500 mm	127177●3⊙6**45	6 Set/ Box
550 mm	127177●3⊙7**45	6 Set/ Box
600 mm	127177●3⊙8**45	6 Set/ Box

BOTTOM PANEL [●]	
16 mm	3
18 mm	4

Enter the number of your preferred bottom panel thickness to the [●] marked area.

SLIDE [⊙]	
Soft Close	8
Push Open	7
Push Open Soft Close	6

Enter the number of your preferred slide to the [⊙] marked area.

COLOR [**]	
White	01
Grey	03
Anthracite	07

Enter the number of your preferred color to the [**] marked area.

METAL BACKPANEL

NOMINAL SIZE	3	H 63	PACKING
450 mm	127972■01**		12 Pcs
600 mm	127972■02**		12 Pcs
900 mm	127972■03**		12 Pcs
1200 mm	127972■04**		12 Pcs

BOTTOM PANEL THICKNESS - CABIN SIDE [■]	
16 mm - 16 mm	6
18 mm - 16 mm	7
16 mm - 18 mm	8
18 mm - 18 mm	9

Enter the number of your preferred bottom panel / cabin side panel thickness to the [■] marked area.

COLOR [**]	
White	01
Grey	03
Anthracite	07

Enter the number of your preferred color to the [**] marked area.

FRONT PANEL HOLDER

CODE	4	DEFINITION	PACKING
12797470**		Alphabox Front Panel Holder	12 Set

[⊔] Panel bottom holder for 18 and 16 mm bottom panels are included in package.

FRONT PANEL

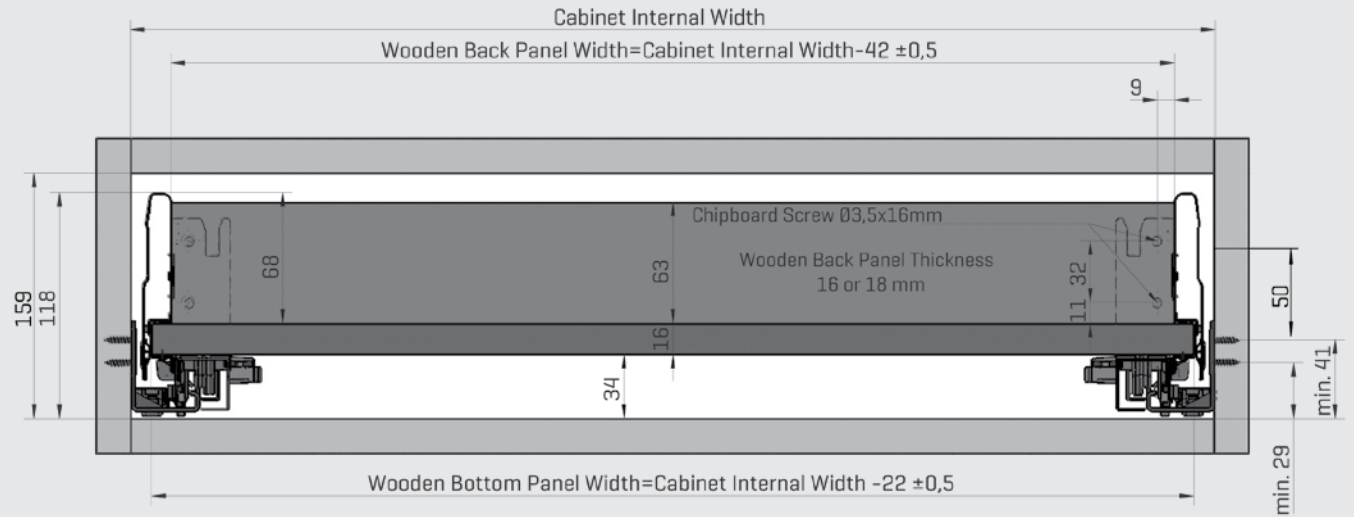
CODE	WIDTH	CABINET 5	PACKING
1279746**0290	450 mm	18 mm	12 Pcs
1279746**0440	600 mm	18 mm	12 Pcs
1279746**0740	900 mm	18 mm	12 Pcs
1279746**1040	1200 mm	18 mm	12 Pcs
1279746**1044	1200 mm	16 mm	12 Pcs

Enter the number of your preferred color to the [**] marked area.

COLOR [**]	
White	01
Grey	03
Anthracite	07

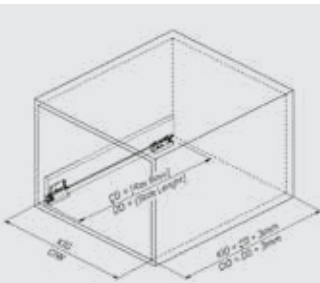
Enter the number of your preferred color to the [**] marked area.

Slide Mounting Dimensions



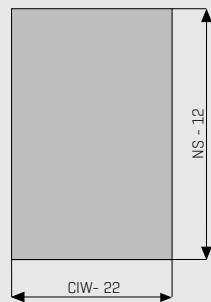
Calculation Method for Front Panel Dimensions: Cut Measurement=Cabinet Internal Width - 124

Wooden Back Panel Application

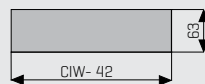


CD Cabinet Depth
 CIW Cabinet Internal Width
 NS Nominal Size

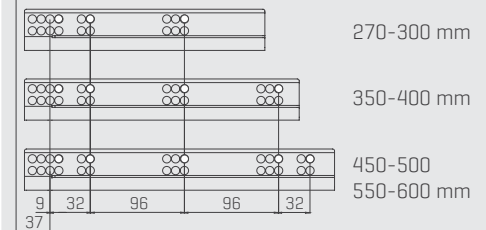
1. Wooden Drawer Bottom



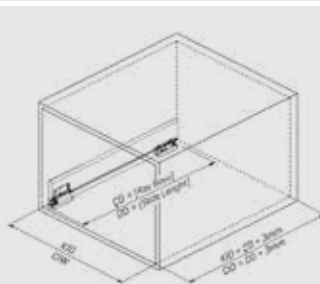
2. Wooden Back Panel



Slide Screw Location [In-Box]

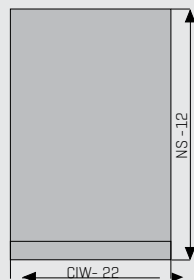


Metal Back Panel Application



CD Cabinet Depth
 CIW Cabinet Internal Width
 NS Nominal Size
 MBW Metal Back Panel Width

3. Wooden Drawer Bottom



Recommended Screws For Rail Assembly

Ø3,5x16 mm Chipboard Screw



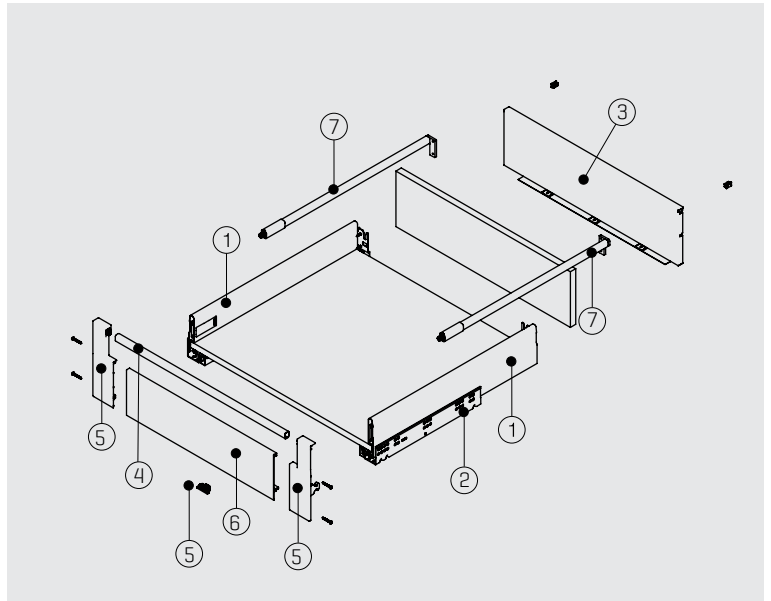
Ø6,1x11,5 mm Euro Screw



*All dimensions in the graphs above are measured in mm

ALPHABOX

H116 In-Box with Gallery Railing



- Maximum user comfort inside drawer with thin sided esthetic design
- White, grey and anthracite colour options
- Customizable and unlimited gallery railing option
- Excellent function with improved synchronisation
- 270/ 300/ 350/ 400/ 450/ 500/ 550/ 600 mm drawer lengths
- Easy mounting and ergonomic adjustment opportunity
- Tool-less front panel assembly
- No cutting process for the base panel

NOMINAL SIZE	1-2	PACKING
270 mm	127177●3⊙1**45	6 Set/ Box
300 mm	127177●3⊙2**45	6 Set/ Box
350 mm	127177●3⊙3**45	6 Set/ Box
400 mm	127177●3⊙4**45	6 Set/ Box
450 mm	127177●3⊙5**45	6 Set/ Box
500 mm	127177●3⊙6**45	6 Set/ Box
550 mm	127177●3⊙7**45	6 Set/ Box
600 mm	127177●3⊙8**45	6 Set/ Box

BOTTOM PANEL [●]	
16 mm	3
18 mm	4

Enter the number of your preferred bottom panel thickness to the [●] marked area.

SLIDE [⊙]	
Soft Close	8
Push Open	7
Push Open Soft Close	6

Enter the number of your preferred slide to the [⊙] marked area.

COLOR [**]	
White	01
Grey	03
Anthracite	07

Enter the number of your preferred color to the [**] marked area.

CONNECTOR [●]	
Screw	1
Dowel	2

Enter the number of your preferred connector to the [●] marked area.

GALLERY RAILING

NOMINAL SIZE	7	WOODEN BACK PANEL	METAL BACKPANEL	PACKING
270 mm		1279714 ● 1**	1279715 ● 1**	12 Set
300 mm		1279714 ● 2**	1279715 ● 2**	12 Set
350 mm		1279714 ● 3**	1279715 ● 3**	12 Set
400 mm		1279714 ● 4**	1279715 ● 4**	12 Set
450 mm		1279714 ● 5**	1279715 ● 5**	12 Set
500 mm		1279714 ● 6**	1279715 ● 6**	12 Set
550 mm		1279714 ● 7**	1279715 ● 7**	12 Set
600 mm		1279714 ● 8**	1279715 ● 8**	12 Set

METAL BACKPANEL

NOMINAL SIZE	3	H 144	PACKING
450 mm		127972■11**	12 Pcs
600 mm		127972■12**	12 Pcs
900 mm		127972■13**	12 Pcs
1200 mm		127972■14**	12 Pcs

BOTTOM PANEL THICKNESS - CABIN SIDE PANEL THICKNESS [■]	
16 mm - 16 mm	6
18 mm - 16 mm	7
16 mm - 18 mm	8
18 mm - 18 mm	9

Enter the number of your preferred bottom panel / cabin side panel thickness to the [■] marked area.

FRONT PANEL HOLDER

CODE	5	DEFINITION	PACKING
12797471**		Alphabox Front Panel Holder with Gallery Railing	12 Set

[⊖] Panel bottom holder for 18 and 16 mm bottom panels are included in package.

FRONT PANEL

CODE	WIDTH	CABINET 6	PACKING
1279746**0290	450mm	18mm	12Pcs
1279746**0440	600mm	18mm	12Pcs
1279746**0740	900mm	18mm	12Pcs
1279746**1040	1200mm	18mm	12Pcs
1279746**1044	1200mm	16mm	12Pcs

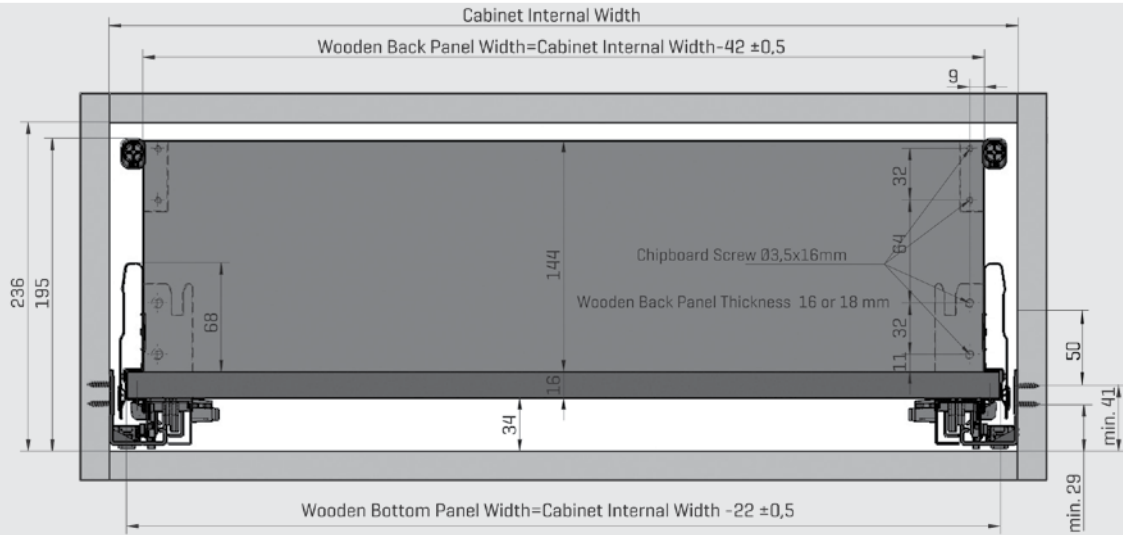
Enter the number of your preferred color to the [**] marked area.

FRONT GALLERY RAILING

CODE	WIDTH	CABINET 4	PACKING
1279716**0357	450mm	18mm	12 Pcs
1279716**0507	600mm	18mm	12 Pcs
1279716**0807	900mm	18mm	12 Pcs
1279716**1107	1200mm	18mm	12 Pcs
1279616**1111	1200mm	16mm	12 Pcs

Enter the number of your preferred color to the [**] marked area.

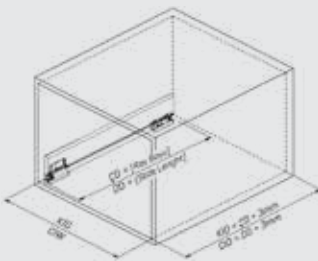
Slide Mounting Dimensions



Calculation Method for Front Panel Dimensions: Cut Measurement = Cabinet Internal Width - 124

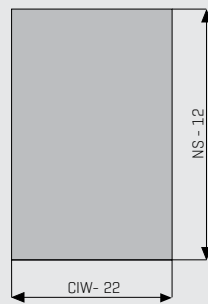
Calculation Method for Horizontal Gallery Railing Dimensions: Cut Measurement = Cabinet Internal Width - 57

Wooden Back Panel Application

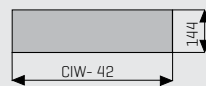


CD Cabinet Depth
CIW Cabinet Internal Width
NS Nominal Size

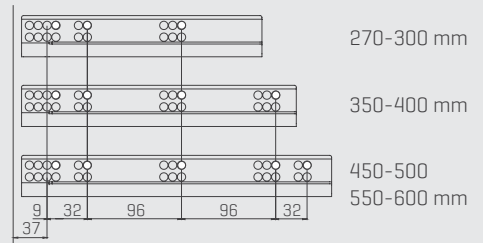
1. Wooden Drawer Bottom



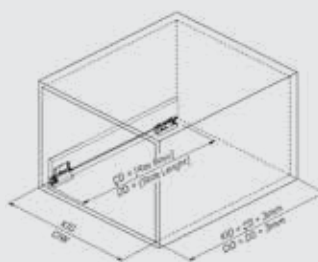
2. Wooden Back Panel



Slide Screw Location (In-Box)

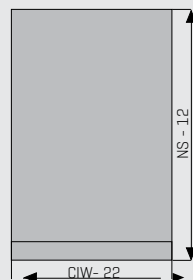


Metal Back Panel Application



CD Cabinet Depth
CIW Cabinet Internal Width
NS Nominal Size
MBW Metal Back Panel Width

3. Wooden Drawer Bottom



Recommended Screws For Rail Assembly

Ø3,5x16 mm Chipboard Screw



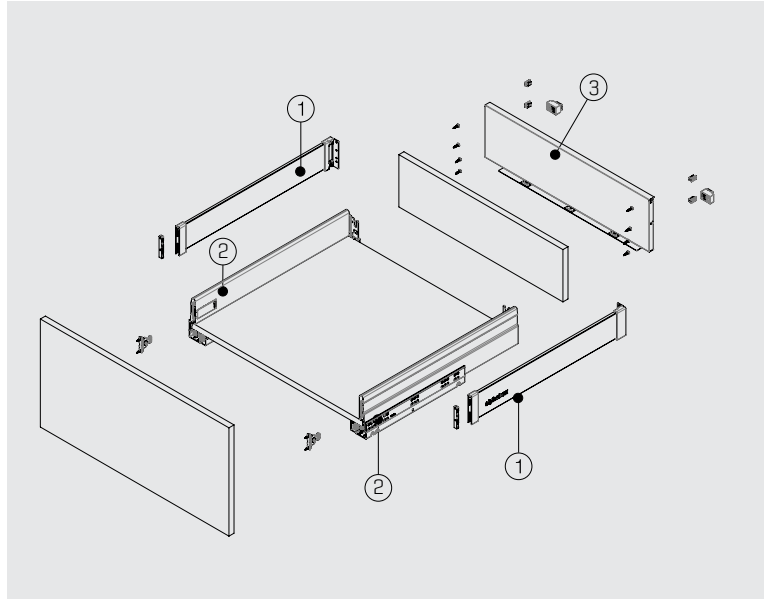
Ø6,1x11,5 mm Euro Screw



*All dimensions in the graphs above are measured in mm

ALPHABOX

H116 Glass Side Panel



- Maximum user comfort inside drawer with thin sided esthetic design
- White, grey and anthracite colour options
- Customizable and unlimited gallery railing option
- Excellent function with improved synchronisation
- 270/ 300/ 350/ 400/ 450/ 500/ 550/ 600 mm drawer lengths
- Easy mounting and ergonomic adjustment opportunity
- Tool-less front panel assembly
- No cutting process for the base panel

NOMINAL SIZE	1-2	PACKING
270 mm	127177●3○1**45	6 Set/ Box
300 mm	127177●3○2**45	6 Set/ Box
350 mm	127177●3○3**45	6 Set/ Box
400 mm	127177●3○4**45	6 Set/ Box
450 mm	127177●3○5**45	6 Set/ Box
500 mm	127177●3○6**45	6 Set/ Box
550 mm	127177●3○7**45	6 Set/ Box
600 mm	127177●3○8**45	6 Set/ Box

BOTTOM PANEL [●]	
16 mm	3
18 mm	4

Enter the number of your preferred bottom panel thickness to the [●] marked area.

SLIDE [○]	
Soft Close	8
Push Open	7
Push Open Soft Close	6

Enter the number of your preferred slide to the [○] marked area.

COLOR [**]	
White	01
Grey	03
Anthracite	07

Enter the number of your preferred color to the [**] marked area.

METAL BACKPANEL

NOMINAL SIZE	3	H 63	PACKING
450 mm	127972■01**		12 Pcs
600 mm	127972■02**		12 Pcs
900 mm	127972■03**		12 Pcs
1200 mm	127972■04**		12 Pcs

BOTTOM PANEL THICKNESS - CABIN SIDE PANEL THICKNESS [■]	
16 mm - 16 mm	6
18 mm - 16 mm	7
16 mm - 18 mm	8
18 mm - 18 mm	9

Enter the number of your preferred bottom panel / cabin side panel thickness to the [■] marked area.

COLOR [**]	
White	01
Grey	03
Anthracite	07

Enter the number of your preferred color to the [**] marked area.

GLASS SIDE PANEL

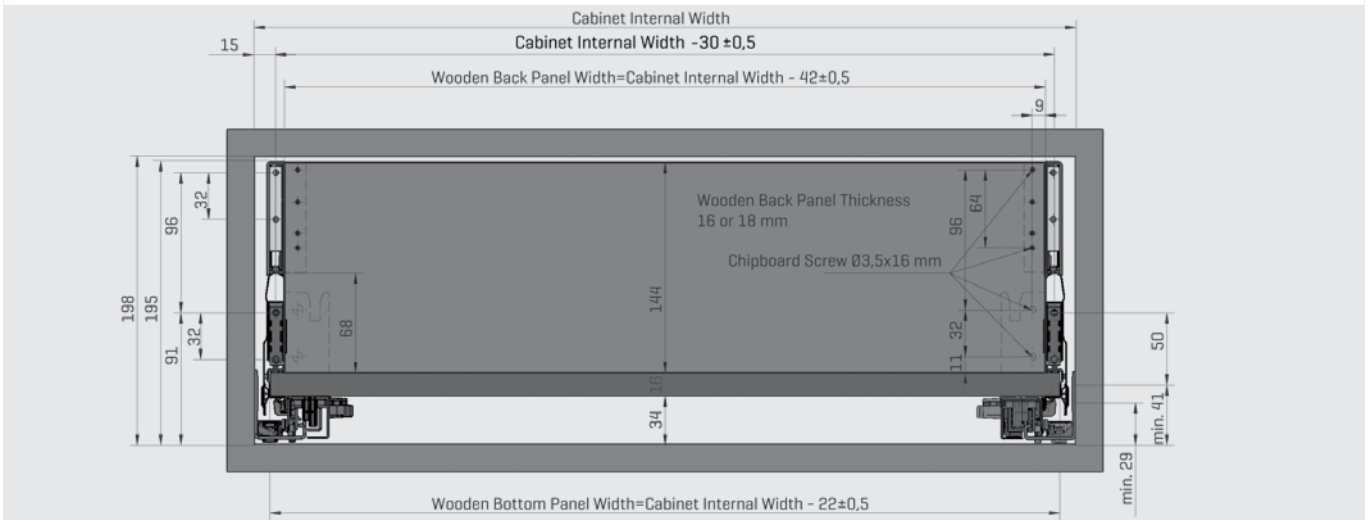
NOMINAL SIZE	4	CODE	PACKING
270 mm		12797491100**	1 Set
300 mm		12797491200**	1 Set
350 mm		12797491300**	1 Set
400 mm		12797491400**	1 Set
450 mm		12797491500**	1 Set
500 mm		12797491600**	1 Set
550 mm		12797491700**	1 Set
600 mm		12797491800**	1 Set

Enter the number of your preferred color to the [**] marked area.

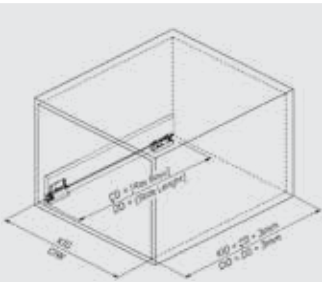
COLOR [**]	
White	01
Grey	03
Anthracite	07

Enter the number of your preferred color to the [**] marked area.

Slide Mounting Dimensions

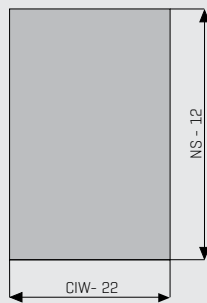


Wooden Back Panel Application

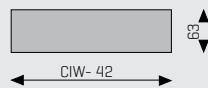


CD Cabinet Depth
 CIW Cabinet Internal Width
 NS Nominal Size

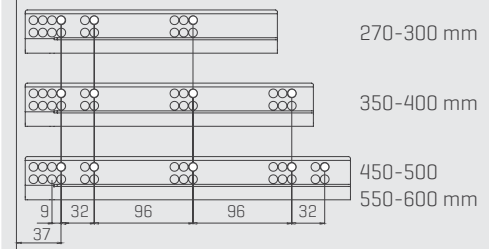
1. Wooden Drawer Bottom



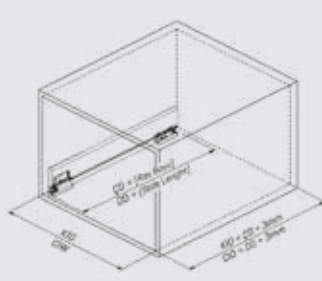
2. Wooden Back Panel



Slide Screw Location

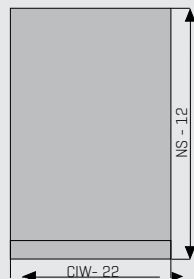


Metal Back Panel Application



CD Cabinet Depth
 CIW Cabinet Internal Width
 NS Nominal Size
 MBW Metal Back Panel Width

3. Wooden Drawer Bottom



Recommended Screws For Rail Assembly

Ø3,5x16 mm Chipboard Screw



Ø6,1x11,5 mm Euro Screw



*All dimensions in the graphs above are measured in mm





Drawer Without Gallery Railing

- 1-2 Alphabox Side Right_Left
- 3 Alphabox Slide
- 4 Metal Backpanel H 63
- 7 Alphabox Front Connector
- 11 Alphabox Decorative Covers



Drawer With Gallery Railing

- 1-2 Alphabox Side Right_Left
- 3 Alphabox Slide
- 4 Metal Backpanel H 144
- 5 Alphabox Gallery Railing
- 7 Alphabox Front Connector
- 11 Alphabox Decorative Covers



In-Box without Gallery Railing

- 1-2 Alphabox Side Right_Left
- 3 Alphabox Slide
- 4 Metal Backpanel H 63
- 7 Alphabox Front Connector
- 8 Alphabox Front Panel
- 9 Alphabox Front Panel Holder
- 11 Alphabox Decorative Covers



In-Box with Gallery Railing

- 1-2 Alphabox Side Right_Left
- 3 Alphabox Slide
- 4 Metal Backpanel H 144
- 5 Alphabox Gallery Railing
- 6 Alphabox Front Gallery Railing
- 7 Alphabox Front Connector
- 8 Alphabox Front Panel
- 9 Alphabox Front Panel Holder
- 11 Alphabox Decorative Covers



Glass Side Panel

- 1 - 2 Alphabox Side Right_Left
- 3 Alphabox Slide Right_Left
- 4 Metal Back Panel H144
- Glass Side Panel (See page 266)
- 7 Alphabox Front Connector
- 11 Alphabox Decorative Covers



Sink Cabinet Drawer Solution For Alphabox H116

- 1 - 2 Alphabox Side Right_Left
- 3 Alphabox Slide Right_Left
- Sink Cabinet Solution (See page 276 and 277)
- 7 Alphabox Front Connector
- 11 Alphabox Decorative Covers



Sink Cabinet Drawer Solution For Alphabox H116 with Gallery Railing

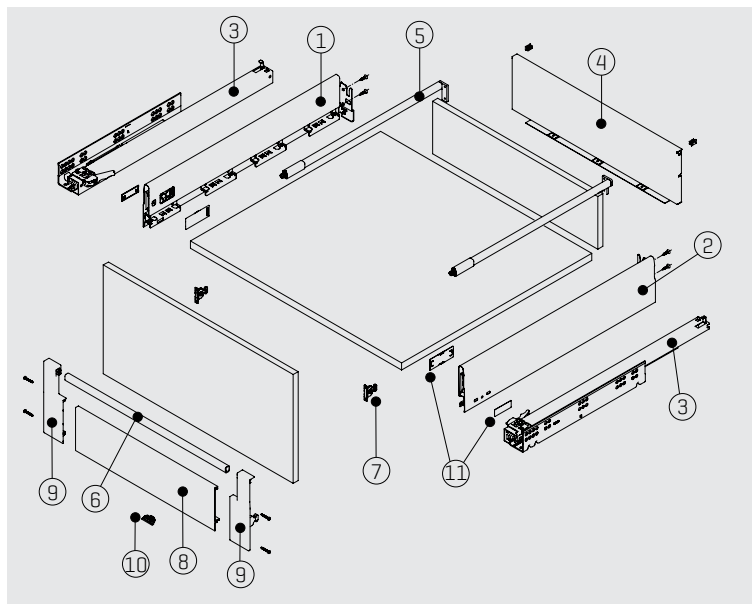
- 1 - 2 Alphabox Side Right_Left
- 3 Alphabox Slide Right_Left
- 5 Alphabox Gallery Railing
- Sink Cabinet Solution (See page 278 and 279)
- 7 Alphabox Front Connector
- 11 Alphabox Decorative Covers

ALPHABOX

Industrial Codes for Drawer Systems



- Maximum user comfort inside drawer with thin sided esthetic design
- White, grey and anthracite colour options
- Customizable and unlimited gallery railing option
- Excellent function with improved synchronisation
- 270/ 300/ 350/ 400/ 450/ 500/ 550/ 600 mm drawer lengths
- Easy mounting and ergonomic adjustment opportunity
- Tool-less front panel assembly
- No cutting process for the base panel



ALPHABOX SIDE

1-2

NOMINAL SIZE	RIGHT	LEFT	PACKING
270 mm	127171•1**01	127171•1**02	24 Pcs
300 mm	127171•2**01	127171•2**02	24 Pcs
350 mm	127171•3**01	127171•3**02	24 Pcs
400 mm	127171•4**01	127171•4**02	24 Pcs
450 mm	127171•5**01	127171•5**02	24 Pcs
500 mm	127171•6**01	127171•6**02	24 Pcs
550 mm	127171•7**01	127171•7**02	24 Pcs
600 mm	127171•8**01	127171•8**02	24 Pcs

BOTTOM PANEL [•]	
16 mm	7
18 mm	8

Enter the number of your preferred bottom panel thickness to the [•] marked area.

COLOR [**]	
White	01
Grey	03
Anthracite	07

Enter the number of your preferred color to the [**] marked area.

ALPHABOX SLIDE

3

NOMINAL SIZE	SOFT CLOSE		PUSH OPEN		SOFT CLOSE & PUSH OPEN		PACKING
	RIGHT	LEFT	RIGHT	LEFT	RIGHT	LEFT	
270 mm	127168310001	127168310002	127167310001	127167310002	127166310001	127166310001	12 Pcs
300 mm	127168320001	127168320002	127167320001	127167320002	127166320001	127166320001	12 Pcs
350 mm	127168330001	127168330002	127167330001	127167330002	127166330001	127166330001	12 Pcs
400 mm	127168340001	127168340002	127167340001	127167340002	127166340001	127166340001	12 Pcs
450 mm	127168350001	127168350002	127167350001	127167350002	127166350001	127166350001	12 Pcs
500 mm	127168360001	127168360002	127167360001	127167360002	127166360001	127166360001	12 Pcs
550 mm	127168370001	127168370002	127167370001	127167370002	127166370001	127166370001	12 Pcs
600 mm	127168380001	127168380002	127167380001	127167380002	127166380001	127166380001	12 Pcs

METAL BACKPANEL

4

NOMINAL SIZE	H 63	H 144	PACKING
450 mm	127972■01**	127972■11**	12 Pcs
600 mm	127972■02**	127972■12**	12 Pcs
900 mm	127972■03**	127972■13**	12 Pcs
1200 mm	127972■04**	127972■14**	12 Pcs

BOTTOM PANEL THICKNESS - CABIN SIDE [■]	
16 mm - 16 mm	6
18 mm - 16 mm	7
16 mm - 18 mm	8
18 mm - 18 mm	9

Enter the number of your preferred bottom panel / cabin side panel thickness to the [■] marked area.

GALLERY RAILING

5

NOMINAL SIZE	WOODEN BACK PANEL	METAL BACKPANEL	PACKING
270 mm	1279714●1**	1279715●1**	12 Set
300 mm	1279714●2**	1279715●2**	12 Set
350 mm	1279714●3**	1279715●3**	12 Set
400 mm	1279714●4**	1279715●4**	12 Set
450 mm	1279714●5**	1279715●5**	12 Set
500 mm	1279714●6**	1279715●6**	12 Set
550 mm	1279714●7**	1279715●7**	12 Set
600 mm	1279714●8**	1279715●8**	12 Set

CONNECTOR [●]	
Screw	1
Dowel	2

Enter the number of your preferred connector to the [●] marked area.

ALPHABOX FRONT CONNECTOR

7

CONNECTOR	CODE	DEFINITION	PACKING
Screw	127974121	Alphabox Front Connector	500 Pcs
Dowel	127974125	Alphabox Front Connector Ø10 Dowel	500 Pcs

FRONT GALLERY RAILING

CODE	WIDTH	CABINET 6	PACKING
1279716**0357	450 mm	18 mm	12 Pcs
1279716**0507	600 mm	18 mm	12 Pcs
1279716**0807	900 mm	18 mm	12 Pcs
1279716**1107	1200 mm	18 mm	12 Pcs
1279616**1111	1200 mm	16 mm	12 Pcs

Enter the number of your preferred color to the [**] marked area.

FRONT PANEL

CODE	WIDTH	CABINET 8	PACKING
1279746**0290	450 mm	18 mm	12 Pcs
1279746**0440	600 mm	18 mm	12 Pcs
1279746**0740	900 mm	18 mm	12 Pcs
1279746**1040	1200 mm	18 mm	12 Pcs
1279746**1044	1200 mm	16 mm	12 Pcs

Enter the number of your preferred color to the [**] marked area.

ALPHABOX FRONT PANEL HOLDER

9

CODE	DEFINITION	PACKING
1279747□**	Alphabox FRONT PANEL HOLDER	12 Set

□ Panel bottom holder for 18 and 16 mm bottom panels are included in package.

FRONT PANEL HOLDER [□]	
H 68 Side Without Gallery Railing	0
H 68 Side With Gallery Railing	1

ALPHABOX FRONT PANEL BOTTOM HOLDER

10

BOTTOM PANEL	CODE	COLOR	PACKING
16 mm	12790482	Grey	500 Pcs
18 mm	12790481	Grey	500 Pcs

COLOR [**]	
White	01
Grey	03
Anthracite	07

Enter the number of your preferred color to the [**] marked area.

ALPHABOX DECORATIVE COVERS

11

INNER	OUTER	PACKING
1279751**001	1279752**○○○	1000 Pcs (Right-Left)

LOGO [○○○]	
Samet	001
No Logo	999

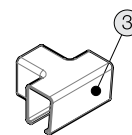
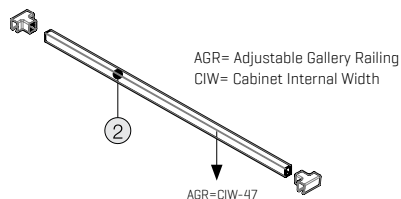
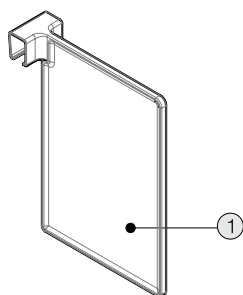
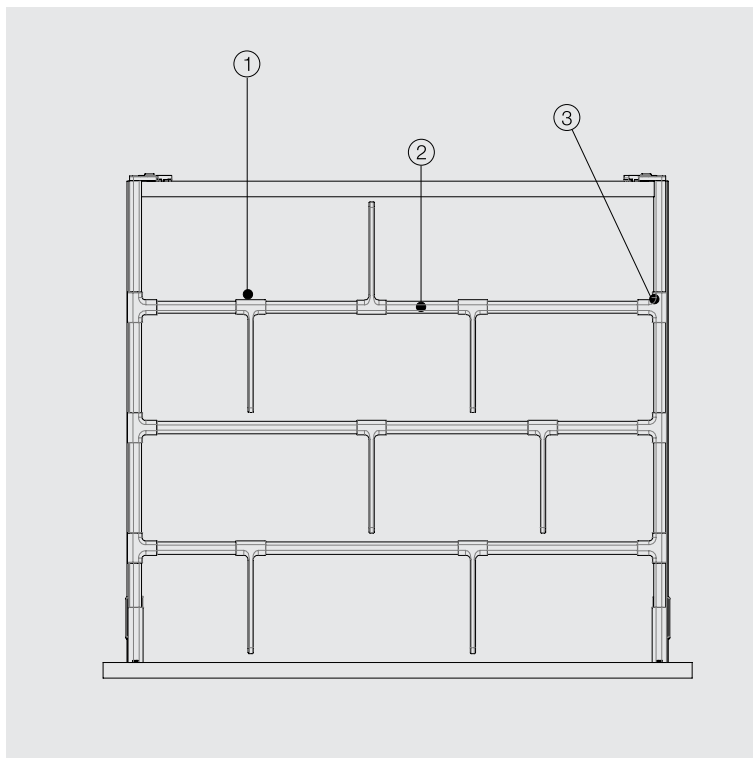
Enter the number of your preferred logo number to the [○○○] marked area.

ALPHABOX

Inside Drawer Dividing Systems



- Adjustable cross dividing and lateral dividers.
- Various color options.
- Easy to remove and position.



Drawer Inside Dividing Systems

CODE	1	PACKING
12797450**		20 Pcs/ Crt.

COLOR (**)	
White	01
Grey	03
Anthracite	07

Adjustable Gallery Railing

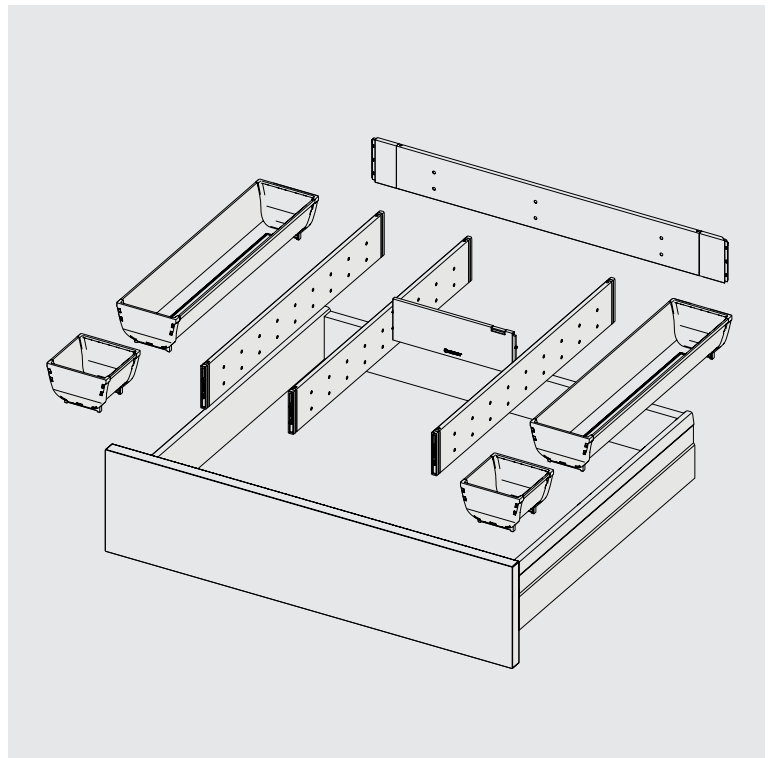
CODE	2	LENGTH	PACKING
1279717**1121		1121 mm	10 Pcs/ Crt.

Enter the number of your preferred color to the [**] marked area.

Calculation Method of Front Gallery Railing: Cut Measurement=Cabinet Internal Width - 47

Adapter for Gallery Railing

CODE	3	PACKING
12797489**		200 Pcs/ Crt.



invaria:

- Various dimension alternatives.
- Optimal usage of the available space.
- Stainless Steel.
- Adjustable divider.
- Stored items can be easily accessed.

Cabinet Width- 600 mm



DEPTH	CODE	PACKING	COLOR
450	1273735070600	1 Set	Anthracite
500	1273736070600	1 Set	Anthracite
600**	1273738070600	1 Set	Anthracite

Cabinet Width- 900 mm



DEPTH	CODE	PACKING	COLOR
450	1273735070900	1 Set	Anthracite
500	1273736070900	1 Set	Anthracite
600**	1273738070900	1 Set	Anthracite

Cabinet Width- 1200 mm



DEPTH	CODE	PACKING	COLOR
450	1273735071200	1 Set	Anthracite
500	1273736071200	1 Set	Anthracite
600**	1273738071200	1 Set	Anthracite

**To order the set with 600 mm depth, please use the codes for both 500 mm and 600 mm

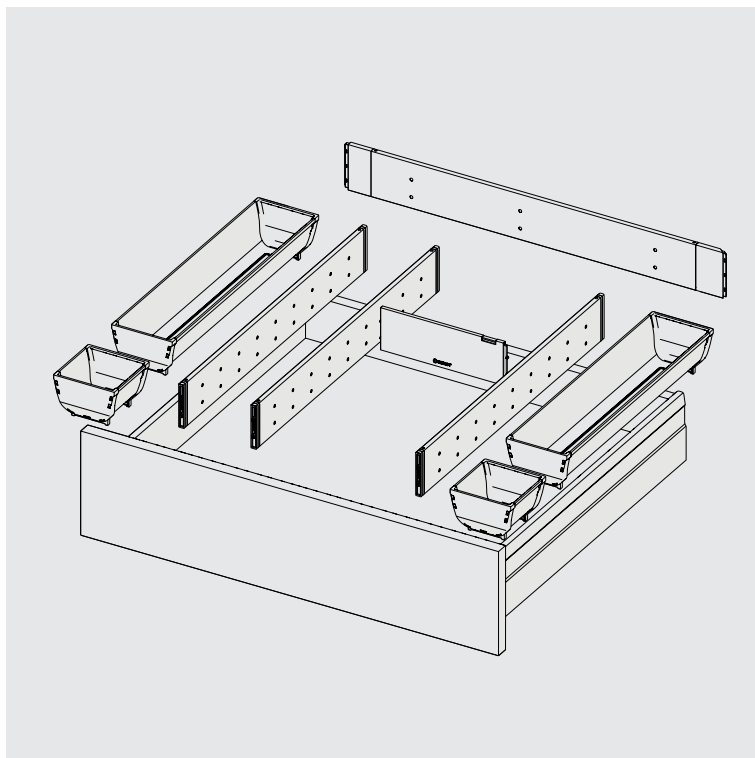
ALPHABOX

Invaria Cutlery - SC



invaria:

- Various dimension alternatives.
- Optimal usage of the available space.
- Stainless Steel.
- Adjustable divider.
- Stored items can be easily accessed.



Cabinet Width- 450 mm



DEPTH	CODE	PACKING	COLOR
450	1273725070450	1 Set	Anthracite
500	1273726070450	1 Set	Anthracite
600**	1273728070450	1 Set	Anthracite

**To order the set with 600 mm depth, please use the codes for both 500 mm and 600 mm



Cabinet Width- 600 mm



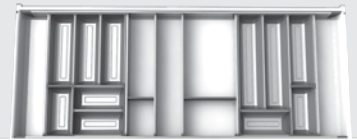
DEPTH	CODE	PACKING	COLOR
450	1273725070600	1 Set	Anthracite
500	1273726070600	1 Set	Anthracite
600**	1273728070600	1 Set	Anthracite

Cabinet Width- 900 mm



DEPTH	CODE	PACKING	COLOR
450	1273725070900	1 Set	Anthracite
500	1273726070900	1 Set	Anthracite
600**	1273728070900	1 Set	Anthracite

Cabinet Width- 1200 mm

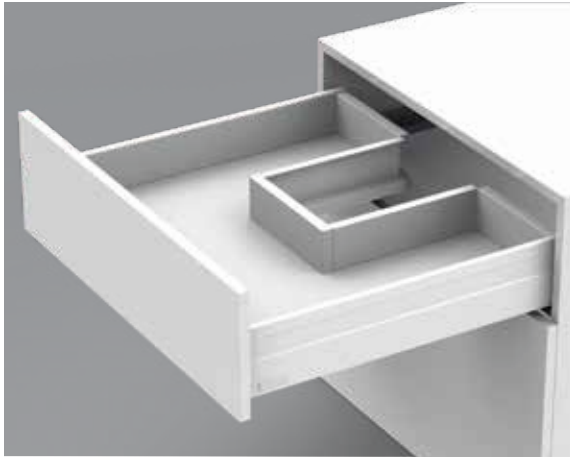


DEPTH	CODE	PACKING	COLOR
450	1273725071200	1 Set	Anthracite
500	1273726071200	1 Set	Anthracite
600**	1273728071200	1 Set	Anthracite

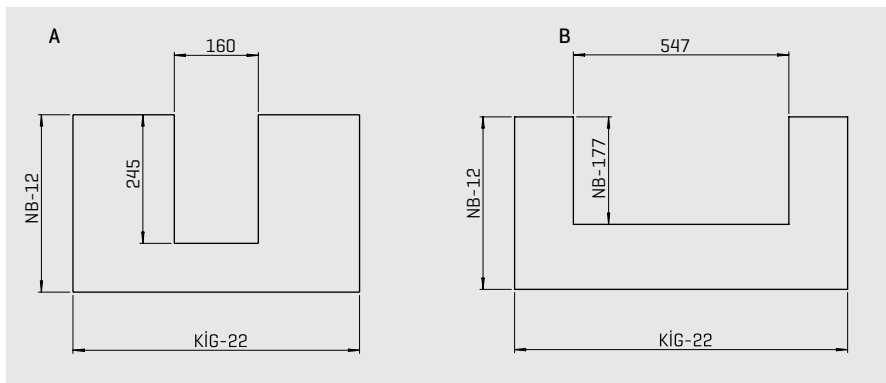
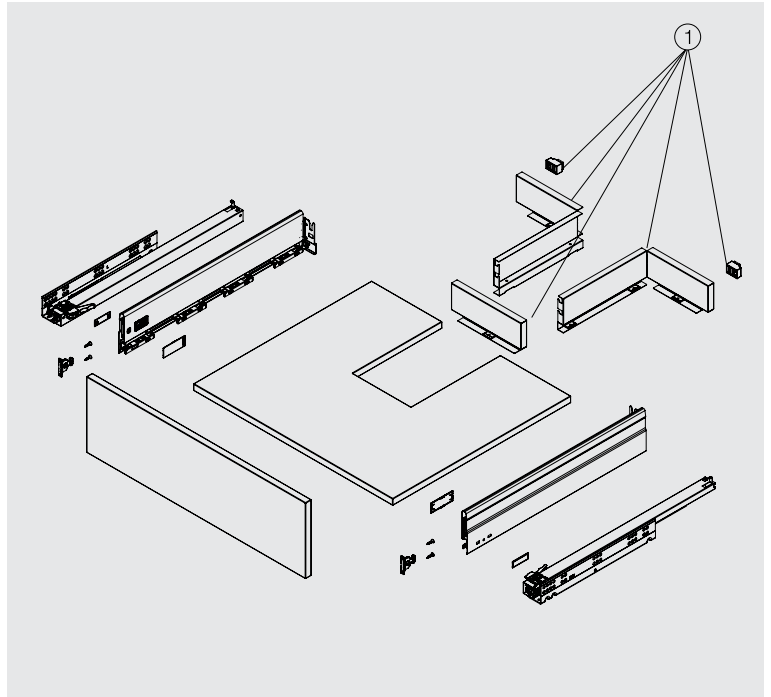
****To order the set with 600 mm depth, please use the codes for both 500 mm and 600 mm**

ALPHABOX

Sink Cabinet Solution for Alphabox H116



- Easy assembly
- White, grey and anthracite color options
- Suitable for 350/450/500 drawer sizes
- Alphabox drawer is not included, it has to be ordered separately



Cabinet Width			
NOMINAL SIZE	450	600	900
350	A	A	A
450	A	A	B
500	A	A	B

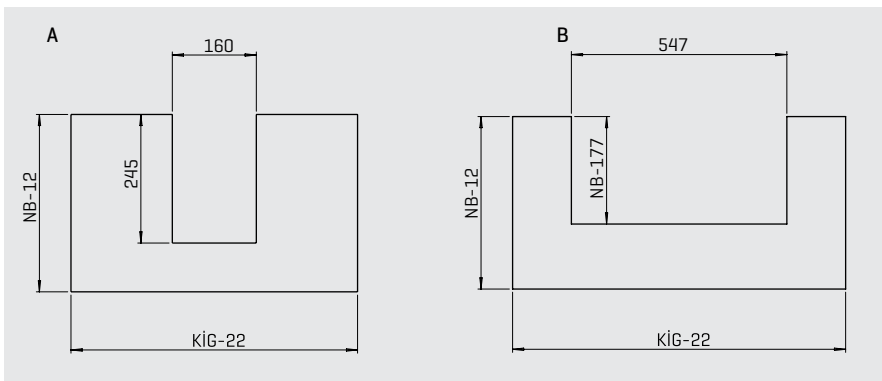
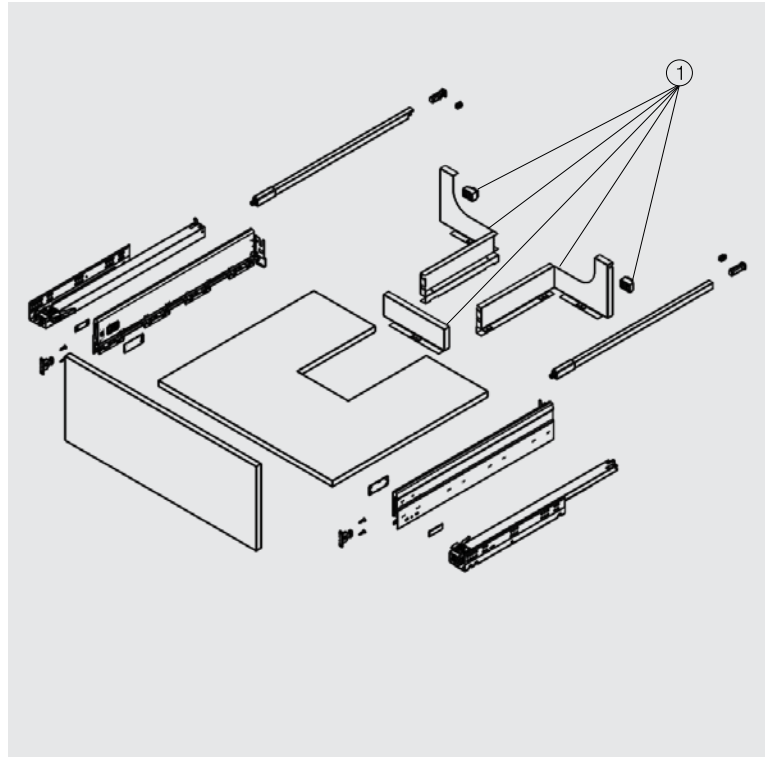
1

CODE	SINK PANEL HEIGHT	BOX SYSTEM SIDE HEIGHT	BOTTOM PANEL THICKNESS MM	WIDTH MM	LENGTH MM	COLOR
12717469510430100	H63	H116	16	450	350/450/500	White
12717469510430300	H63	H116	16	450	350/450/500	Grey
12717469510430700	H63	H116	16	450	350/450/500	Anthracite
12717469510730100	H63	H116	16	600	350/450/500	White
12717469510730300	H63	H116	16	600	350/450/500	Grey
12717469510730700	H63	H116	16	600	350/450/500	Anthracite
12717469511330100	H63	H116	16	900	350	White
12717469511330300	H63	H116	16	900	350	Grey
12717469511330700	H63	H116	16	900	350	Anthracite
12717469511350100	H63	H116	16	900	450	White
12717469511350300	H63	H116	16	900	450	Grey
12717469511350700	H63	H116	16	900	450	Anthracite
12717469511360100	H63	H116	16	900	500	White
12717469511360300	H63	H116	16	900	500	Grey
12717469511360700	H63	H116	16	900	500	Anthracite
12717469511660100	H63	H116	16	1200	500	White
12717469511660300	H63	H116	16	1200	500	Grey
12717469511660700	H63	H116	16	1200	500	Anthracite
12717469540430100	H63	H116	18	450	350/450/500	White
12717469540430300	H63	H116	18	450	350/450/500	Grey
12717469540430700	H63	H116	18	450	350/450/500	Anthracite
12717469540730100	H63	H116	18	600	350/450/500	White
12717469540730300	H63	H116	18	600	350/450/500	Grey
12717469540730700	H63	H116	18	600	350/450/500	Anthracite
12717469541330100	H63	H116	18	900	350	White
12717469541330300	H63	H116	18	900	350	Grey
12717469541330700	H63	H116	18	900	350	Anthracite
12717469541350100	H63	H116	18	900	450	White
12717469541350300	H63	H116	18	900	450	Grey
12717469541350700	H63	H116	18	900	450	Anthracite
12717469541360100	H63	H116	18	900	500	White
12717469541360300	H63	H116	18	900	500	Grey
12717469541360700	H63	H116	18	900	500	Anthracite
12717469541660100	H63	H116	18	1200	500	White
12717469541660300	H63	H116	18	1200	500	Grey
12717469541660700	H63	H116	18	1200	500	Anthracite

Sink Cabinet Solution for Alphabox H116 with Gallery Railing



- Easy assembly
- White, grey and anthracite color options
- Suitable for 350/450/500 drawer sizes
- Alphabox drawer is not included, it has to be ordered separately
- Gallery railing for metal backpanel must be used.



Cabinet Width			
NOMINAL SIZE	450	600	900
350	A	A	A
450	A	A	B
500	A	A	B

Sink Cabinet Solution for Alphabox H116 with Gallery Railing

Code List

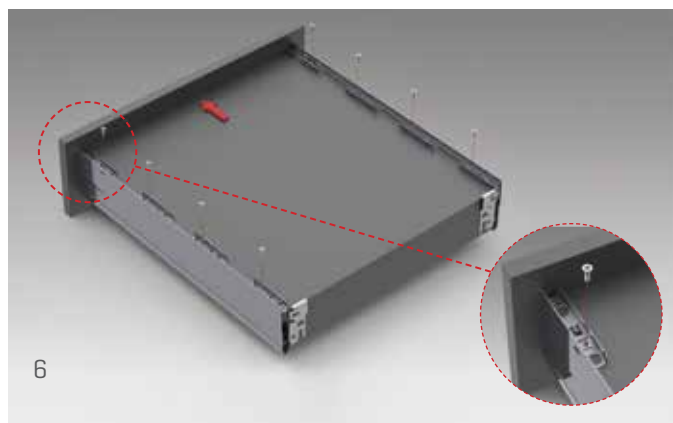
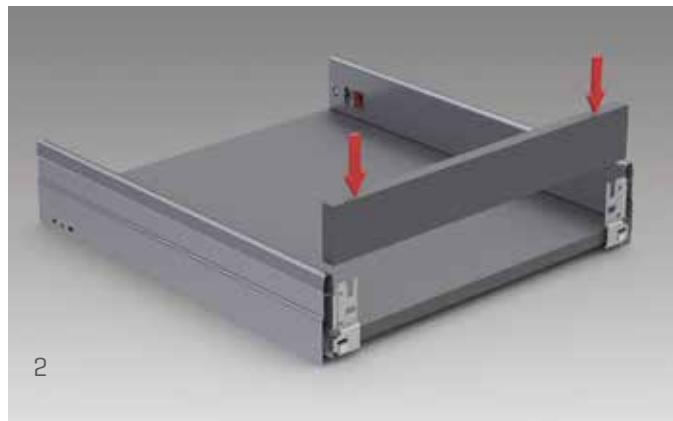
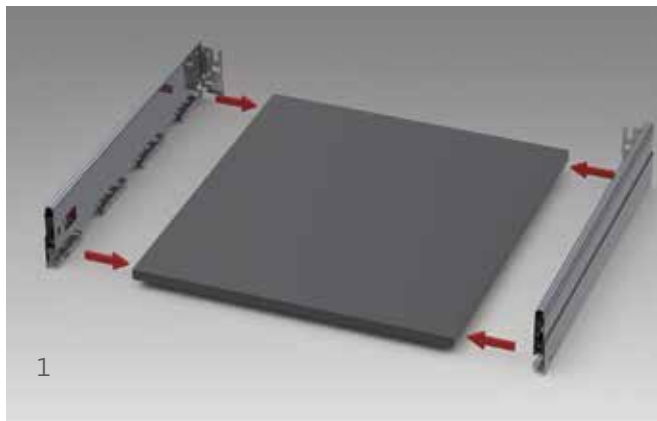


1

CODE	SINK PANEL HEIGHT	BOX SYSTEM SIDE HEIGHT	BOTTOM PANEL THICKNESS MM	WIDTH MM	LENGTH MM	COLOR
12716469610430100	H144	H116 with Gallery Railing	16	450	350/450/500	White
12716469610430700	H144	H116 with Gallery Railing	16	450	350/450/500	Anthracite
12717469710430300	H144	H116 with Gallery Railing	16	450	350/450/500	Grey
12716469610730100	H144	H116 with Gallery Railing	16	600	350/450/500	White
12716469610730700	H144	H116 with Gallery Railing	16	600	350/450/500	Anthracite
12717469710730300	H144	H116 with Gallery Railing	16	600	350/450/500	Grey
12716469611330100	H144	H116 with Gallery Railing	16	900	350	White
12716469611330700	H144	H116 with Gallery Railing	16	900	350	Anthracite
12717469711330300	H144	H116 with Gallery Railing	16	900	350	Grey
12716469611350100	H144	H116 with Gallery Railing	16	900	450	White
12716469611350700	H144	H116 with Gallery Railing	16	900	450	Anthracite
12717469711350300	H144	H116 with Gallery Railing	16	900	450	Grey
12716469611360100	H144	H116 with Gallery Railing	16	900	500	White
12716469611360700	H144	H116 with Gallery Railing	16	900	500	Anthracite
12717469711360300	H144	H116 with Gallery Railing	16	900	500	Grey
12716469611660100	H144	H116 with Gallery Railing	16	1200	500	White
12716469611660700	H144	H116 with Gallery Railing	16	1200	500	Anthracite
12717469711660300	H144	H116 with Gallery Railing	16	1200	500	Grey
12716469640430100	H144	H116 with Gallery Railing	18	450	350/450/500	White
12716469640430700	H144	H116 with Gallery Railing	18	450	350/450/500	Anthracite
12717469740430300	H144	H116 with Gallery Railing	18	450	350/450/500	Grey
12716469640730100	H144	H116 with Gallery Railing	18	600	350/450/500	White
12716469640730700	H144	H116 with Gallery Railing	18	600	350/450/500	Anthracite
12717469740730300	H144	H116 with Gallery Railing	18	600	350/450/500	Grey
12716469641330100	H144	H116 with Gallery Railing	18	900	350	White
12716469641330700	H144	H116 with Gallery Railing	18	900	350	Anthracite
12717469741330300	H144	H116 with Gallery Railing	18	900	350	Grey
12716469641350100	H144	H116 with Gallery Railing	18	900	450	White
12716469641350700	H144	H116 with Gallery Railing	18	900	450	Anthracite
12717469741350300	H144	H116 with Gallery Railing	18	900	450	Grey
12716469641360100	H144	H116 with Gallery Railing	18	900	500	White
12716469641360700	H144	H116 with Gallery Railing	18	900	500	Anthracite
12717469741360300	H144	H116 with Gallery Railing	18	900	500	Grey
12716469641660100	H144	H116 with Gallery Railing	18	1200	500	White
12716469641660700	H144	H116 with Gallery Railing	18	1200	500	Anthracite
12717469741660300	H144	H116 with Gallery Railing	18	1200	500	Grey

ALPHABOX

Assembly Instructions



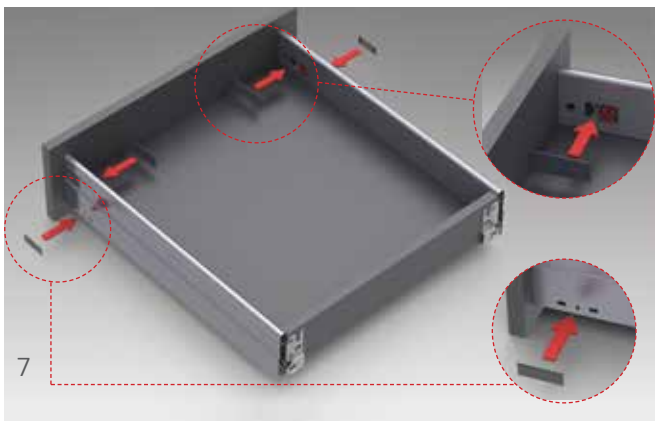
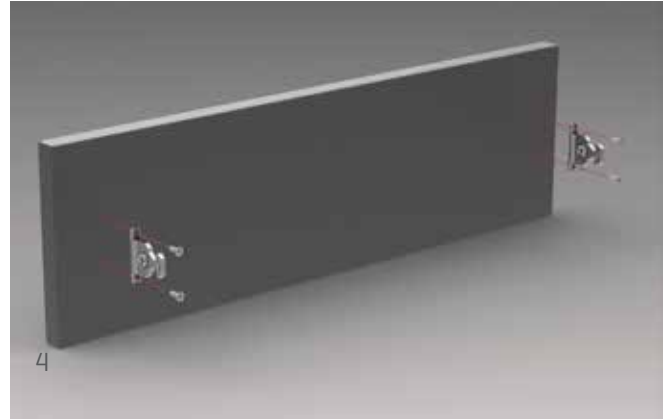
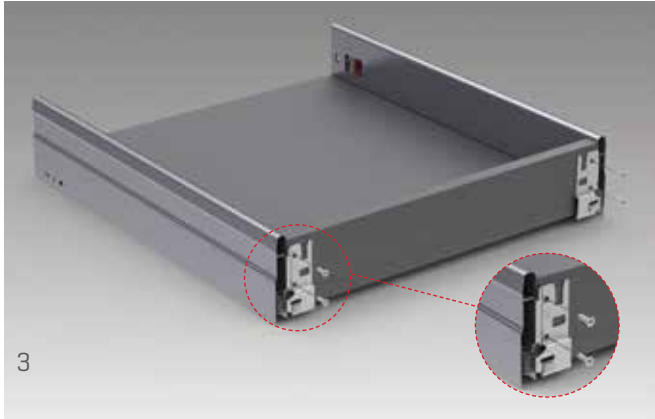
ADJUSTMENTS



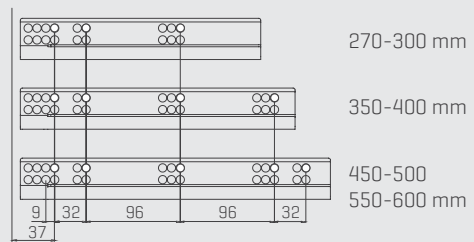
$\pm 1,5 \text{ mm}$



$\pm 2 \text{ mm}$



Slide Screw Location

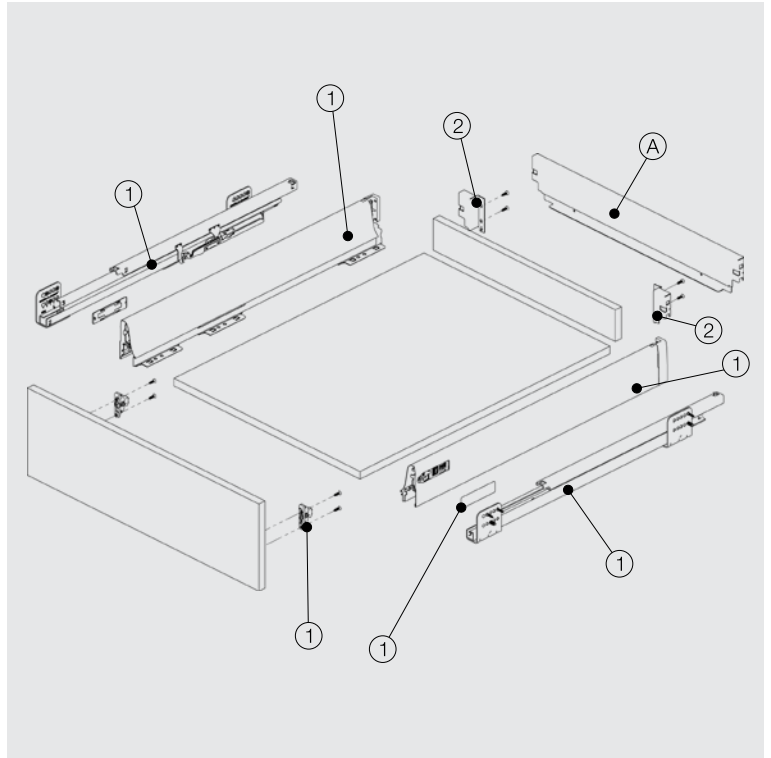


SMARTBOX

H 100 Drawer



- Improved soft closing system guarantees smooth running
- Dynamic load capacity: 40 and 65 kg
- ± 2 mm vertical and ± 1,5 mm horizontal adjustment
- Finish: White and Grey
- 100 mm casing height
- Wooden backboard thickness options: 16 mm and 18 mm
- Drawer Length for 40 kg: 270/300/350/400/450/500/550/600/650 mm
- Drawer Length for 65 kg: 450/500/550/600/650 mm
- Smart-Click: Tool free assembly and removal of front panel
- Smart-Fit: Simple and tool free assembly, as well as removal of drawer
- The improved stability guarantees a long product durability



Load Capacity 40 kg	1 SMARTBOX Basic package		
	NOMINAL SIZE	CODE	PACKING
	270 mm	127140●1*	4 Set/Box
	300 mm	127140●2*	4 Set/Box
	350 mm	127140●3*	4 Set/Box
	400 mm	127140●4*	4 Set/Box
	450 mm	127140●5*	4 Set/Box
	500 mm	127140●6*	4 Set/Box
	550 mm	127140●7*	4 Set/Box
	600 mm	127140●8*	4 Set/Box
	650 mm	127140●9*	4 Set/Box

A	Metal Back Panel
For order requirements and color options please refer to the "Metal Back Panel Application" section on [Page 283]	

2 Backboard Holder Without Gallery Railings		
CODE 16 mm	CODE 18 mm	PACKING
1279181*	1279185*	4 Set/Box

Basic package
 -SMARTBOX Slide Right-Left
 -SMARTBOX Side Right-Left
 -Front Connection Panel 2 Pieces
 -3,5x18 mm chipboard screw 4 pieces
 -Decorative Covers 2 Pieces

Backpanel holders are not included in basic package. Please order backpanel holders [2] seperately.

Load Capacity 65 kg	1 Basic package		
	NOMINAL SIZE	CODE	PACKING
	450 mm	127142●5*	4 Set/Box
	500 mm	127142●6*	4 Set/Box
	550 mm	127142●7*	4 Set/Box
	600 mm	127142●8*	4 Set/Box
	650 mm	127142●9*	4 Set/Box

BOTTOM PANEL [●]	
16 mm	2
18 mm	5

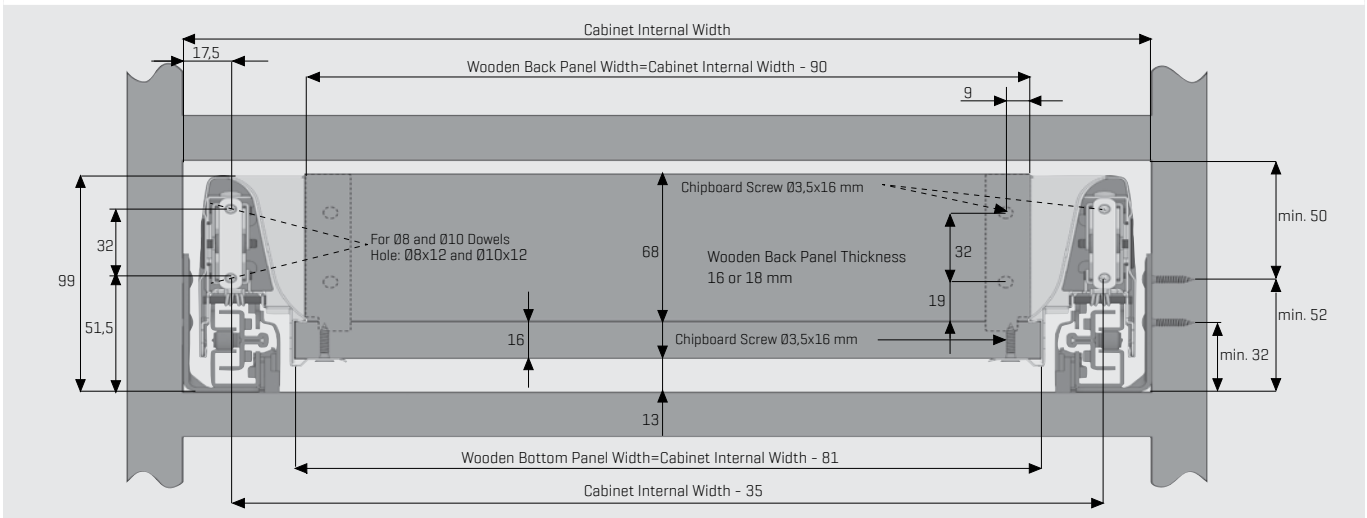
Enter the number of your preferred bottom panel thickness to the [●] marked area.

1= White

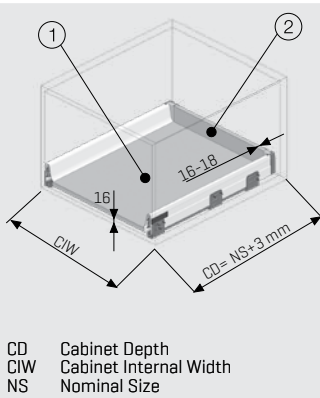
3= Grey

Colors can be chosen by adding the number of the color you desire instead of the [*] sign. Example: For 40 kg, 500 mm White Drawer [16 mm] = 127140261+ 12791811

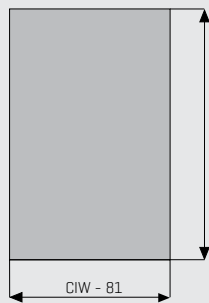
Slide Mounting Dimensions



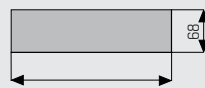
Wooden Back Panel Application



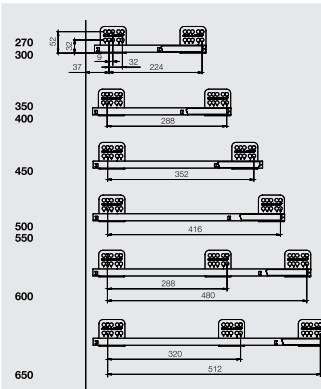
1. Wooden Drawer Bottom



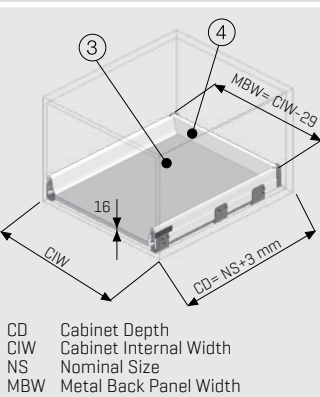
2. Wooden Back Panel



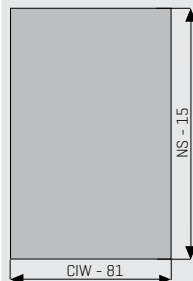
Slide Screw Location



Metal Back Panel Application



3. Wooden Drawer Bottom



4. Metal Back Panel without Gallery Railing

Order Requirements: 1279031*MBW
 To obtain your desired color please add one of the below-mentioned figures to the end of the seven-digit code.
 1= White 3= Grey
 Calculation for 18 mm thick side panels
 Example for cabinet width of 600 mm
 Cabinet Internal Width= 564 mm
 MBW= 564 mm - 29 mm= 535 mm
 Order: 12790311535

Color | MBW

*Special order of metal back panels can be made for drawers with wooden side panel thickness other than 18 mm

NOMINAL SIZE	White	Grey	PACKING
300mm	12790311235	12790313235	25 Pcs
450mm	12790311385	12790313385	25 Pcs
500mm	12790311435	12790313435	25 Pcs
600mm	12790311535	12790313535	10 Pcs
800mm	12790311735	12790313735	10 Pcs
900mm	12790311835	12790313835	10 Pcs
1200mm	127903111135	127903131135	10 Pcs

*All dimensions in the graphs above are measured in mm

Recommended Screws For Rail Assembly

Ø3,5x16 mm Chipboard Screw

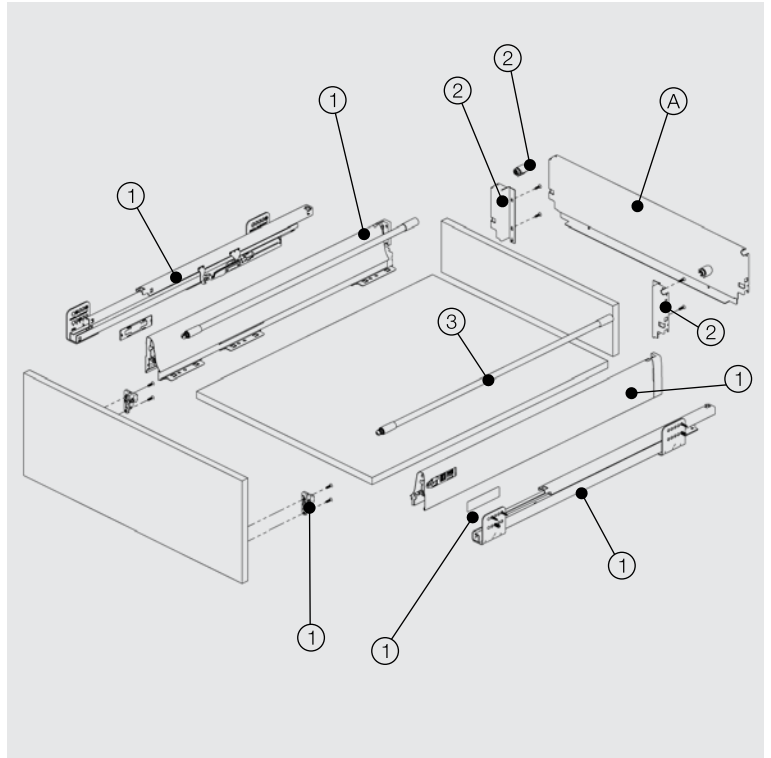


Ø6,1x11,5 mm Euro Screw



SMARTBOX

H 100 Drawer with Single Gallery Railing



- Improved soft closing system guarantees smooth running
- Dynamic load capacity: 40 and 65 kg
- ± 2 mm vertical and ± 1,5 mm horizontal adjustment
- Finish: White and Grey
- 116 mm casing height
- Wooden backboard thickness options: 16 mm and 18 mm
- Drawer Length for 40 kg: 270/300/350/400/450/500/550/600/650 mm
- Drawer Length for 65 kg: 450/500/550/600/650 mm
- Smart-Click: Tool free assembly and removal of front panel
- Smart-Fit: Simple and tool free assembly, as well as removal of drawer
- The improved stability guarantees a long product durability

Load Capacity 40 kg	1 SMARTBOX Basic package		
	NOMINAL SIZE	CODE	PACKING
	270 mm	127140●1*	4 Set/Box
	300 mm	127140●2*	4 Set/Box
	350 mm	127140●3*	4 Set/Box
	400 mm	127140●4*	4 Set/Box
	450 mm	127140●5*	4 Set/Box
	500 mm	127140●6*	4 Set/Box
	550 mm	127140●7*	4 Set/Box
	600 mm	127140●8*	4 Set/Box
	650 mm	127140●9*	4 Set/Box

Load Capacity 65 kg	1 SMARTBOX Basic package		
	NOMINAL SIZE	CODE	PACKING
	450 mm	127142●5*	4 Set/Box
	500 mm	127142●6*	4 Set/Box
	550 mm	127142●7*	4 Set/Box
	600 mm	127142●8*	4 Set/Box
	650 mm	127142●9*	4 Set/Box

2 Backboard Holder Single Gallery Railing		
KOD 16 mm	KOD 18 mm	PACKING
1279182*	1279186*	4 Set/Box

A Metal Back Panel

For order requirements and color options please refer to the "Metal Back Panel Application" section on [\(Page 285\)](#)

BOTTOM PANEL [●]	
16 mm	2
18 mm	5

Enter the number of your preferred bottom panel thickness to the [●] marked area.

		3 Gallery Railing Bar		
		Standard	* Optional (Easy Mounting Gallery Railings)	
NOMINAL SIZE	PACKING	CODE	* CODE Screw	* CODE Dowel
270 mm	20 Set	12790141*	127901851*	127901861*
300 mm	20 Set	12790142*	127901852*	127901862*
350 mm	20 Set	12790143*	127901853*	127901863*
400 mm	20 Set	12790144*	127901854*	127901864*
450 mm	20 Set	12790145*	127901855*	127901865*
500 mm	20 Set	12790146*	127901856*	127901866*
550 mm	20 Set	12790147*	127901857*	127901867*
600 mm	20 Set	12790148*	127901858*	127901868*
650 mm	20 Set	12790149*	127901859*	127901869*

* Easy mounting gallery railings; They can not be used at In-Box drawer applications.

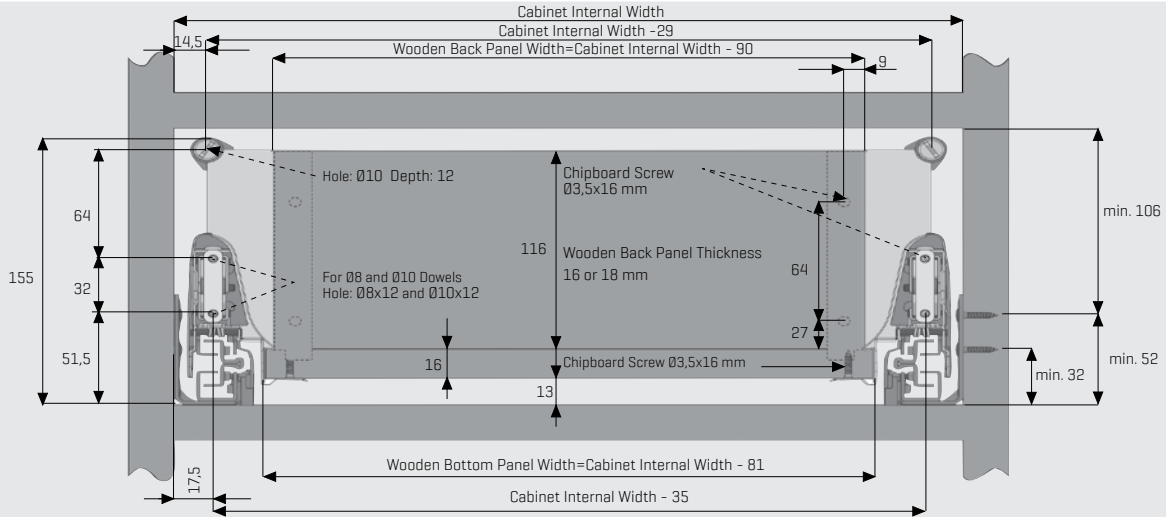
Basic package
 - SMARTBOX Slide Right-Left
 - SMARTBOX Side Right-Left
 - Front Connection Panel 2 Pieces
 - 3,5x18 mm chipboard screw 4 pieces
 - Decorative Covers 2 Pieces
Backpanel holders are not included in basic package. Please order backpanel holders [2] separately.

1= White

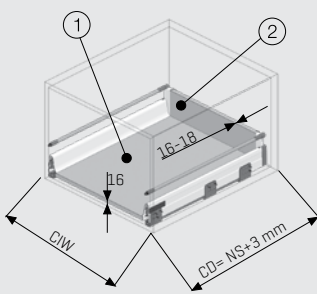
3= Grey

Colors can be chosen by adding the number of the color you desire instead of the [*] sign. Example: For 40 kg, 500 mm White Drawer [16 mm] = 127140261+ 12791811

Slide Mounting Dimensions

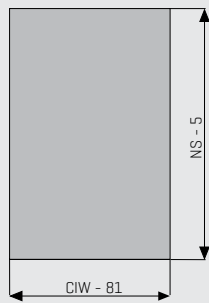


Wooden Back Panel Application

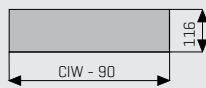


CD Cabinet Depth
 CIW Cabinet Internal Width
 NS Nominal Size

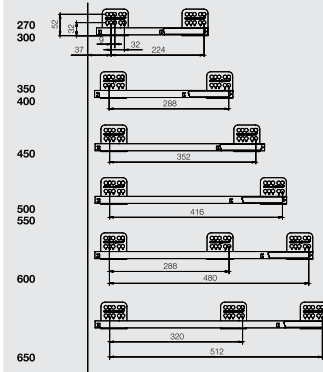
1. Wooden Drawer Bottom



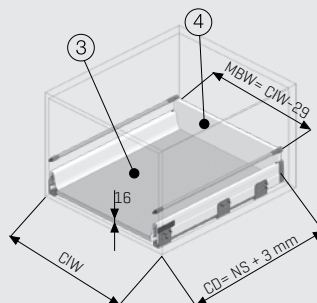
2. Wooden Back Panel



Slide Screw Location

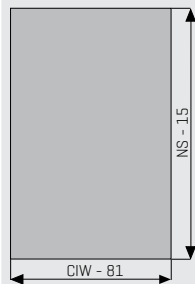


Metal Back Panel Application



CD Cabinet Depth
 CIW Cabinet Internal Width
 NS Nominal Size
 MBW Metal Back Panel Width

3. Wooden Drawer Bottom



4. Metal Back Panel Single Gallery Railing

Order Requirements: 1279032*MBW
 To obtain your desired color please add one of the below-mentioned figures to the end of the seven-digit code.
 1= White 3= Grey
 Calculation for 18 mm thick side panels
 Example for cabinet width of 600 mm
 Cabinet Internal Width = 564 mm
 MBW = 564 mm - 29 mm = 535 mm
 Order: 12790321535

Color MBW

*Special order of metal back panels can be made for drawers with wooden side panel thickness other than 18 mm

NOMINAL SIZE	White	Grey	PACKING
300 mm	12790321235	12790323235	25 Pcs
450 mm	12790321385	12790323385	25 Pcs
500 mm	12790321435	12790323435	25 Pcs
600 mm	12790321535	12790323535	10 Pcs
800 mm	12790321735	12790323735	10 Pcs
900 mm	12790321835	12790323835	10 Pcs
1200 mm	127903211135	127903231135	10 Pcs

Recommended Screws For Rail Assembly

Ø3,5x16 mm Chipboard Screw



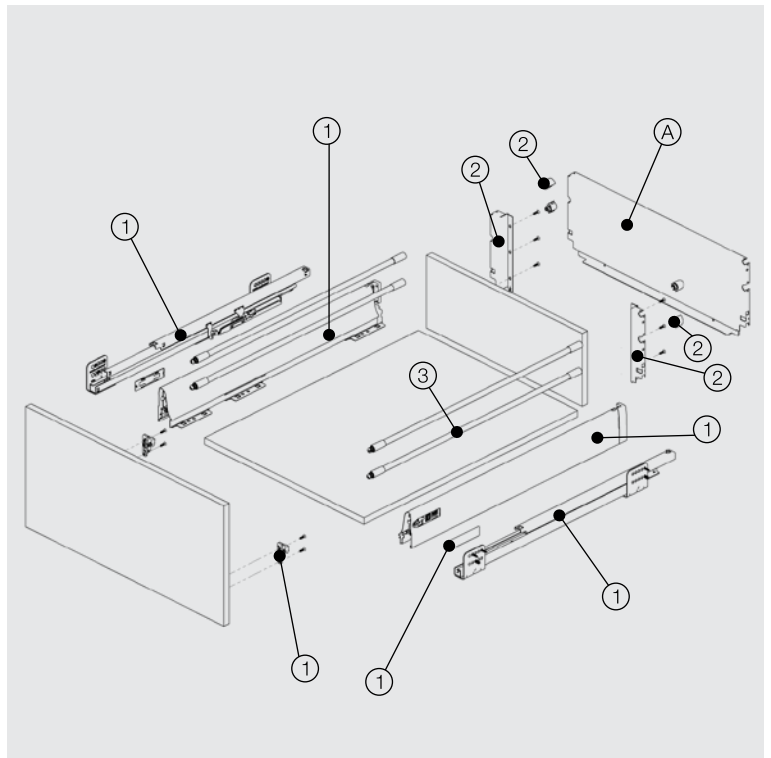
Ø6,1x11,5 mm Euro Screw



*All dimensions in the graphs above are measured in mm

SMARTBOX

H 100 Drawer with Double Gallery Railing



- Improved soft closing system guarantees smooth running
- Dynamic load capacity: 40 and 65 kg
- ± 2 mm vertical and ± 1,5 mm horizontal adjustment
- Finish: White and Grey
- 180 mm casing height
- Wooden backboard thickness options: 16 mm and 18 mm
- Drawer Length for 40 kg: 270/300/350/400/450/500/550/600/650 mm
- Drawer Length for 65 kg: 450/500/550/600/650 mm
- Smart-Click: Tool free assembly and removal of front panel
- Smart-Fit: Simple and tool free assembly, as well as removal of drawer
- The improved stability guarantees a long product durability

Load Capacity 40 kg	1 SMARTBOX Basic package		
	NOMINAL SIZE	CODE	PACKING
	270 mm	127140●1*	4 Set/Box
	300 mm	127140●2*	4 Set/Box
	350 mm	127140●3*	4 Set/Box
	400 mm	127140●4*	4 Set/Box
	450 mm	127140●5*	4 Set/Box
	500 mm	127140●6*	4 Set/Box
	550 mm	127140●7*	4 Set/Box
	600 mm	127140●8*	4 Set/Box
	650 mm	127140●9*	4 Set/Box

Load Capacity 65 kg	1 SMARTBOX Basic package		
	NOMINAL SIZE	CODE	PACKING
	450 mm	127142●5*	4 Set/Box
	500 mm	127142●6*	4 Set/Box
	550 mm	127142●7*	4 Set/Box
	600 mm	127142●8*	4 Set/Box
	650 mm	127142●9*	4 Set/Box

2 Backboard Holder Double Gallery Railing		
KOD 16 mm	KOD 18 mm	PACKING
1279183*	1279187*	4 Set/Box

A Metal Back Panel

For order requirements and color options please refer to the **"Metal Back Panel Application"** section on [\[Page 287\]](#)

BOTTOM PANEL [●]	
16 mm	2
18 mm	5

Enter the number of your preferred bottom panel thickness to the [●] marked area.

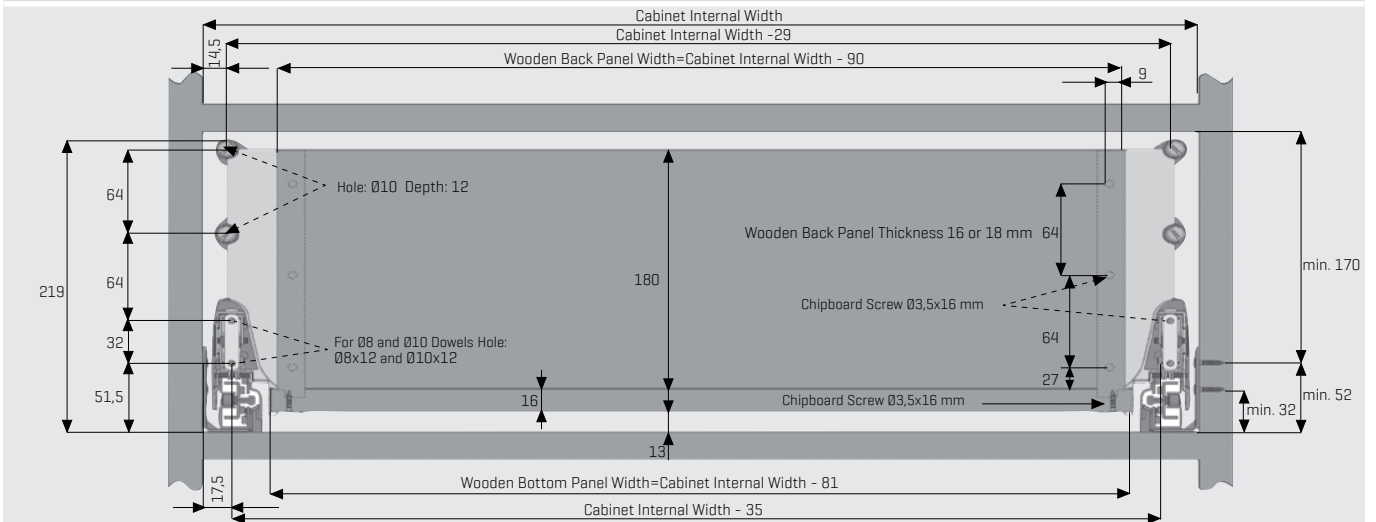
3 Gallery Railing Bar					
NOMINAL SIZE	PACKING	Standard			* Optional (Easy Mounting Gallery Railings)
		CODE	* CODE Screw	* CODE Dowel	
270 mm	20 Set	12790141*	127901851*	127901861*	
300 mm	20 Set	12790142*	127901852*	127901862*	
350 mm	20 Set	12790143*	127901853*	127901863*	
400 mm	20 Set	12790144*	127901854*	127901864*	
450 mm	20 Set	12790145*	127901855*	127901865*	
500 mm	20 Set	12790146*	127901856*	127901866*	
550 mm	20 Set	12790147*	127901857*	127901867*	
600 mm	20 Set	12790148*	127901858*	127901868*	
650 mm	20 Set	12790149*	127901859*	127901869*	

* Easy mounting gallery railings; They can not be used at In-Box drawer applications.

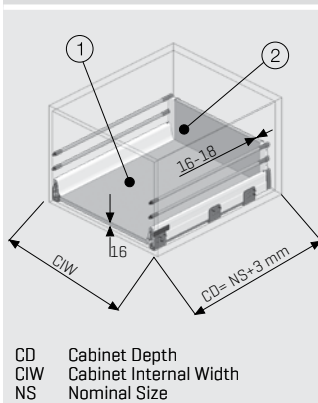
Basic package
 - SMARTBOX Slide Right-Left
 - SMARTBOX Side Right-Left
 - Front Connection Panel 2 Pieces
 - 3,5x18 mm chipboard screw 4 pieces
 - Decorative Covers 2 Pieces
Backpanel holders are not included in basic package. Please order backpanel holders (2) separately.

1= White 3= Grey
 Colors can be chosen by adding the number of the color you desire instead of the [*] sign. Example: For 40 kg, 500 mm White Drawer [16 mm] = 127140261+ 12791811

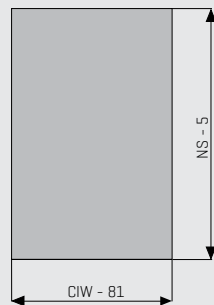
Slide Mounting Dimensions



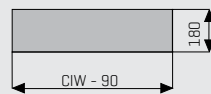
Wooden Back Panel Application



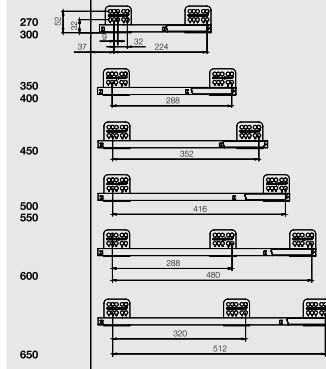
1. Wooden Drawer Bottom



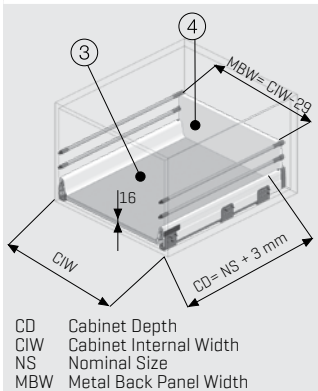
2. Wooden Back Panel



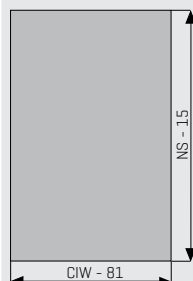
Slide Screw Location



Metal Back Panel Application



3. Wooden Drawer Bottom



4. Metal Back Panel Double Gallery Railing

Order Requirements: 1279033*MBW
To obtain your desired color please add one of the below-mentioned figures to the end of the seven-digit code.

1 = White 3 = Grey

Calculation for 18 mm thick side panels

Example for cabinet width of 600 mm

Cabinet Internal Width = 564 mm

MBW = 564 mm - 29 mm = 535 mm

Order: 12790331535

Color MBW

*Special order of metal back panels can be made for drawers with wooden side panel thickness other than 18 mm

NOMINAL SIZE	White	Grey	PACKING
300 mm	12790331235	12790333235	25 Pcs
450 mm	12790331385	12790333385	25 Pcs
500 mm	12790331435	12790333435	25 Pcs
600 mm	12790331535	12790333535	10 Pcs
800 mm	12790331735	12790333735	10 Pcs
900 mm	12790331835	12790333835	10 Pcs
1200 mm	127903311135	127903331135	10 Pcs

*All dimensions in the graphs above are measured in mm

Recommended Screws For Rail Assembly

Ø3,5x16 mm Chipboard Screw



Ø6,1x11,5 mm Euro Screw

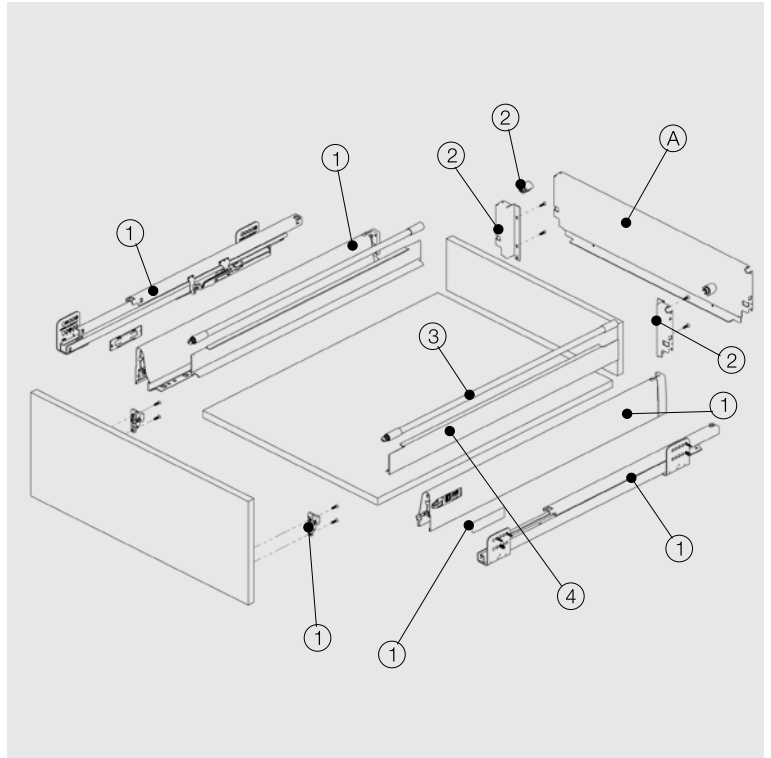


SMARTBOX

H 100 Drawer Metal Side Panel H:48



- Improved soft closing system guarantees smooth running
- Dynamic load capacity: 40 and 65 kg
- ± 2 mm vertical and ± 1,5 mm horizontal adjustment
- Finish: White and Grey
- 116 mm casing height
- Wooden backboard thickness options: 16 mm and 18 mm
- Drawer Length for 40 kg: 450/500/550/600/650 mm
- Drawer Length for 65 kg: 450/500/550/600/650 mm
- Smart-Click: Tool free assembly and removal of front panel
- Smart-Fit: Simple and tool free assembly, as well as removal of drawer
- The improved stability guarantees a long product durability



Load Capacity 40 kg	1 SMARTBOX Basic package	
	NOMINAL SIZE	PACKING
	CODE	
450 mm	127140●5*	4 Set/Box
500 mm	127140●6*	4 Set/Box
550 mm	127140●7*	4 Set/Box
600 mm	127140●8*	4 Set/Box
650 mm	127140●9*	4 Set/Box

2 Backboard Holder Single Gallery Railing		
KOD 16 mm	KOD 18 mm	PACKING
1279182*	1279186*	4 Set/Box

NOMINAL SIZE	PACKING	3 Gallery Railing Bar	
		Standard	* Optional (Easy Mounting Gallery Railings)
		CODE * Screw	CODE * Dowel
450 mm	20 Set	12790145*	127901855* 127901865*
500 mm	20 Set	12790146*	127901856* 127901866*
550 mm	20 Set	12790147*	127901857* 127901867*
600 mm	20 Set	12790148*	127901858* 127901868*
650 mm	20 Set	12790149*	127901859* 127901869*

4 Side Panel	
For order requirements and color options please refer to the "Side Panels" section on [Page 317]	

A Metal Back Panel	
For order requirements and color options please refer to the "Metal Back Panel Application" section on [Page 289]	

Load Capacity 65 kg	1 SMARTBOX Basic package	
	NOMINAL SIZE	PACKING
	CODE	
450 mm	127142●5*	4 Set/Box
500 mm	127142●6*	4 Set/Box
550 mm	127142●7*	4 Set/Box
600 mm	127142●8*	4 Set/Box
650 mm	127142●9*	4 Set/Box

BOTTOM PANEL [●]	
16 mm	2
18 mm	5

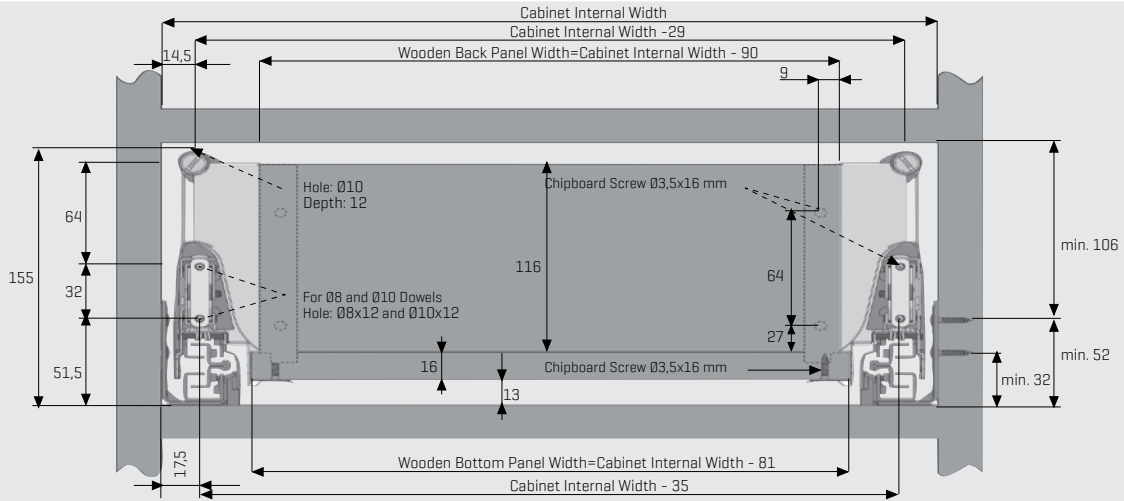
Enter the number of your preferred bottom panel thickness to the [●] marked area.

Basic package
 -SMARTBOX Slide Right-Left
 -SMARTBOX Side Right-Left
 -Front Connection Panel 2 Pieces
 -3,5x18 mm chipboard screw 4 pieces
 -Decorative Covers 2 Pieces
Backpanel holders are not included in basic package. Please order backpanel holders (2) seperately.

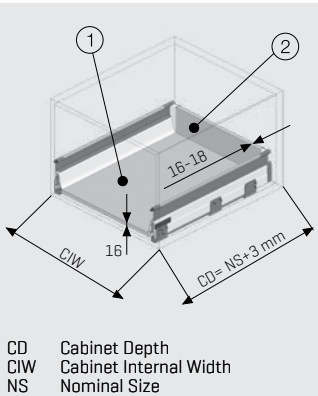
* Easy mounting gallery railings;
 They can not be used at In-Box drawer applications.

1= White 3= Grey
 Colors can be chosen by adding the number of the color you desire instead of the [*] sign. Example: For 40 kg, 500 mm White Drawer [16 mm] = 127140261+
 = 12791811

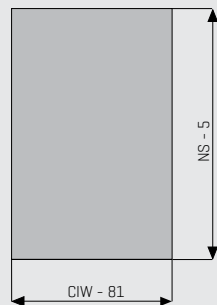
Slide Mounting Dimensions



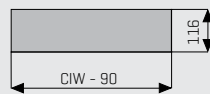
Wooden Back Panel Application



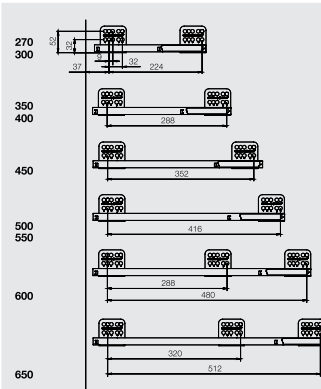
1. Wooden Drawer Bottom



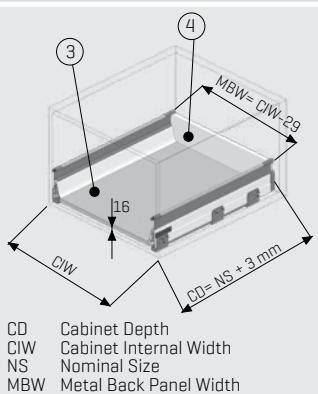
2. Wooden Back Panel



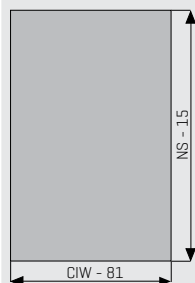
Slide Screw Location



Metal Back Panel Application



3. Wooden Drawer Bottom



4. Metal Back Panel Side Panel H:48

Order Requirements: 1279032*MBW
To obtain your desired color please add one of the below-mentioned figures to the end of the seven-digit code.
1= White 3= Grey
Calculation for 18 mm thick side panels
Example for cabinet width of 600 mm
Cabinet Internal Width= 564 mm
MBW= 564 mm - 29 mm= 535 mm
Order: 12790321535

Color MBW

*Special order of metal back panels can be made for drawers with wooden side panel thickness other than 18 mm

NOMINAL SIZE	White	Grey	PACKING
300 mm	12790321235	12790323235	25 Pcs
450 mm	12790321385	12790323385	25 Pcs
500 mm	12790321435	12790323435	25 Pcs
600 mm	12790321535	12790323535	10 Pcs
800 mm	12790321735	12790323735	10 Pcs
900 mm	12790321835	12790323835	10 Pcs
1200 mm	127903211135	127903231135	10 Pcs

*All dimensions in the graphs above are measured in mm

Recommended Screws For Rail Assembly

Ø3,5x16 mm Chipboard Screw



Ø6,1x11,5 mm Euro Screw

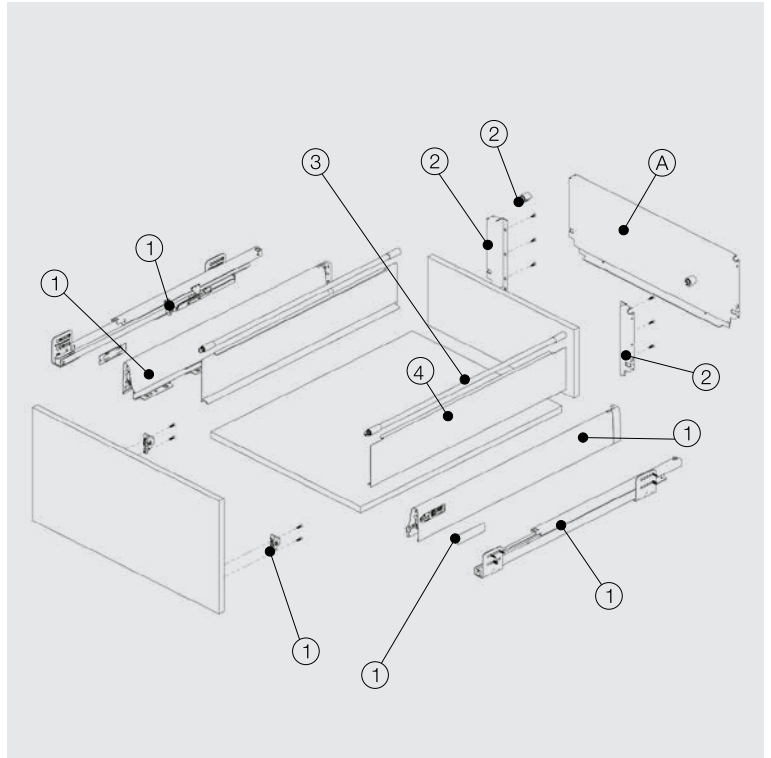


SMARTBOX

H 100 Drawer Metal Side Panel H:112



- Improved soft closing system guarantees smooth running
- Dynamic load capacity: 40 and 65 kg
- ± 2 mm vertical and ± 1,5 mm horizontal adjustment
- Finish: White and Grey
- 180 mm casing height
- Wooden backboard thickness options: 16 mm and 18 mm
- Drawer Length for 40 kg: 450/500/550/600/650 mm
- Drawer Length for 65 kg: 450/500/550/600/650 mm
- Smart-Click: Tool free assembly and removal of front panel
- Smart-Fit: Simple and tool free assembly, as well as removal of drawer
- The improved stability guarantees a long product durability



Load Capacity 40 kg	1 SMARTBOX Basic package	
	NOMINAL SIZE	PACKING
	CODE	
450 mm	127140●5*	4 Set/Box
500 mm	127140●6*	4 Set/Box
550 mm	127140●7*	4 Set/Box
600 mm	127140●8*	4 Set/Box
650 mm	127140●9*	4 Set/Box

Load Capacity 65 kg	1 SMARTBOX Basic package	
	NOMINAL SIZE	PACKING
	CODE	
450 mm	127142●5*	4 Set/Box
500 mm	127142●6*	4 Set/Box
550 mm	127142●7*	4 Set/Box
600 mm	127142●8*	4 Set/Box
650 mm	127142●9*	4 Set/Box

2 Backboard Holder Side Panel H:112 **		
KOD 16 mm	KOD 18 mm	PACKING
1279184*	1279188*	4 Set/Box

4 Side Panel	
For order requirements and color options please refer to the "Side Panels" section on (Page 317)	

BOTTOM PANEL [●]	
16 mm	2
18 mm	5

Enter the number of your preferred bottom panel thickness to the [●] marked area.

3 Gallery Railing Bar					
NOMINAL SIZE	PACKING	Standard		* Optional (Easy Mounting Gallery Railings)	
		CODE	CODE * Screw	CODE	CODE * Dowel
450 mm	20 Set	12790145*	127901855*	127901865*	
500 mm	20 Set	12790146*	127901856*	127901866*	
550 mm	20 Set	12790147*	127901857*	127901867*	
600 mm	20 Set	12790148*	127901858*	127901868*	
650 mm	20 Set	12790149*	127901859*	127901869*	

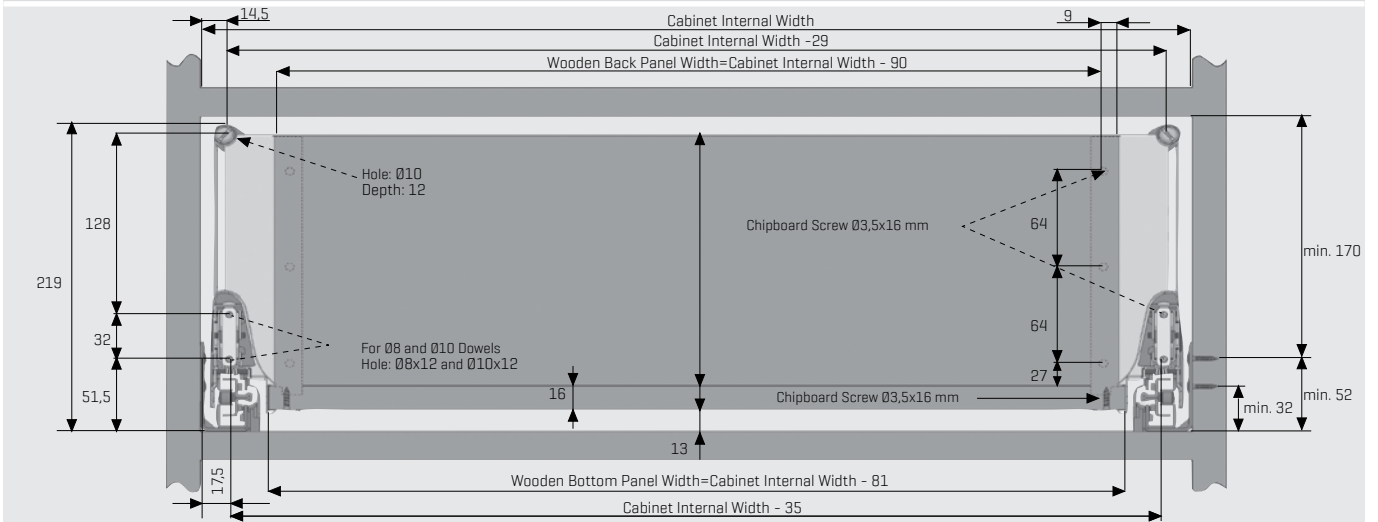
A Metal Back Panel	
For order requirements and color options please refer to the "Metal Back Panel Application" section on (Page 291)	

Basic package
 -SMARTBOX Slide Right-Left
 -SMARTBOX Side Right-Left
 -Front Connection Panel 2 Pieces
 -3,5x18 mm chipboard screw 4 pieces
 -Decorative Covers 2 Pieces
Backpanel holders are not included in basic package. Please order backpanel holders [2] separately.

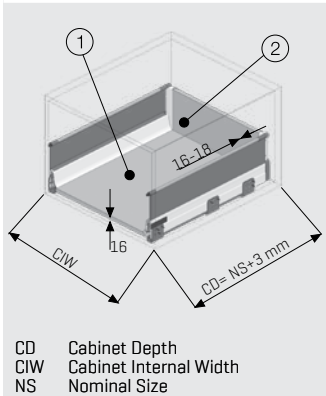
* Easy mounting gallery railings;
 They can not be used at In-Box drawer applications.

1= White 3= Grey
 Colors can be chosen by adding the number of the color you desire instead of the [*] sign. Example: For 40 kg, 500 mm White Drawer [16 mm] = **127140261+**
12791811

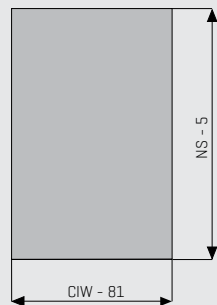
Slide Mounting Dimensions



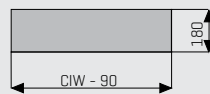
Wooden Back Panel Application



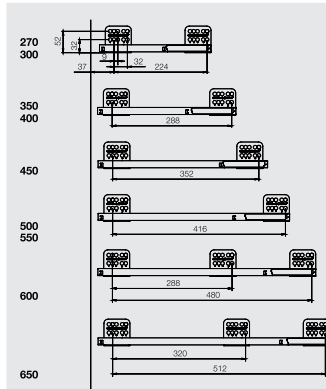
1. Wooden Drawer Bottom



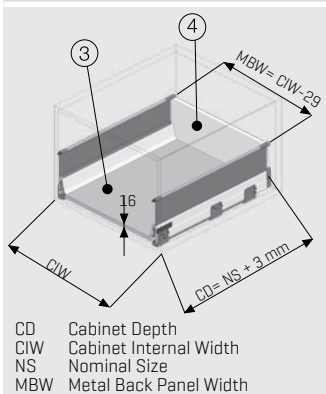
2. Wooden Back Panel



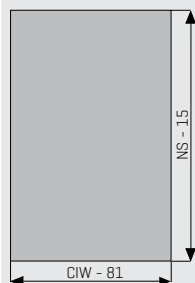
Slide Screw Location



Metal Back Panel Application



3. Wooden Drawer Bottom



4. Metal Back Panel Side Panel H:112

Order Requirements: 1279034*MBW
 To obtain your desired color please add one of the below-mentioned figures to the end of the seven-digit code.
 1= White 3= Grey
 Calculation for 18 mm thick side panels
 Example for cabinet width of 600 mm
 Cabinet Internal Width= 564 mm
 MBW= 564 mm - 29 mm= 535 mm
 Order: 12790341535

Color MBW

*Special order of metal back panels can be made for drawers with wooden side panel thickness other than 18 mm

NOMINAL SIZE	White	Grey	PACKING
300 mm	12790341235	12790343235	25 Pcs
450 mm	12790341385	12790343385	25 Pcs
500 mm	12790341435	12790343435	25 Pcs
600 mm	12790341535	12790343535	10 Pcs
800 mm	12790341735	12790343735	10 Pcs
900 mm	12790341835	12790343835	10 Pcs
1200 mm	127903411135	127903431135	10 Pcs

*All dimensions in the graphs above are measured in mm

Recommended Screws For Rail Assembly

03,5x16 mm Chipboard Screw



06,1x11,5 mm Euro Screw

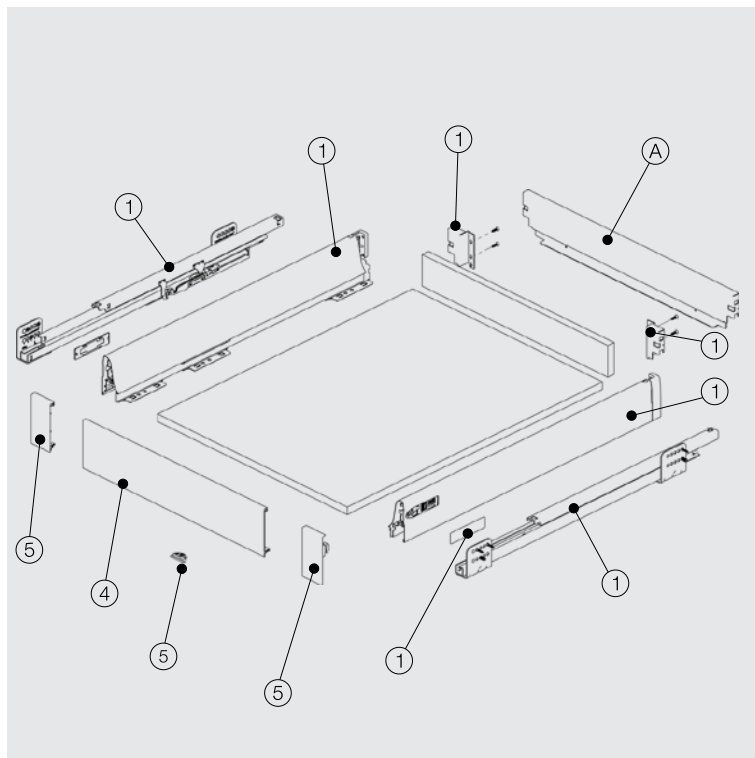


SMARTBOX

H 100 In-Box Drawer



- Improved soft closing system guarantees smooth running
- Dynamic load capacity: 40 and 65 kg
- Finish: White and Grey
- 68 mm casing height
- Wooden backboard thickness options: 16 mm and 18 mm
- Drawer Length for 40 kg: 270/300/350/400/450/500/550/600/650 mm
- Drawer Length for 65 kg: 450/500/550/600/650 mm
- Smart-Click: Tool free assembly and removal of front panel
- Smart-Fit: Simple and tool free assembly, as well as removal of drawer
- The improved stability guarantees a long product durability



Load Capacity 40 kg	1 SMARTBOX Basic package	
	NOMINAL SIZE	PACKING
	CODE	
270 mm	127140 ● 1*	4 Set/Box
300 mm	127140 ● 2*	4 Set/Box
350 mm	127140 ● 3*	4 Set/Box
400 mm	127140 ● 4*	4 Set/Box
450 mm	127140 ● 5*	4 Set/Box
500 mm	127140 ● 6*	4 Set/Box
550 mm	127140 ● 7*	4 Set/Box
600 mm	127140 ● 8*	4 Set/Box
650 mm	127140 ● 9*	4 Set/Box

Load Capacity 65 kg	1 SMARTBOX Basic package	
	NOMINAL SIZE	PACKING
	CODE	
450 mm	127142 ● 5*	4 Set/Box
500 mm	127142 ● 6*	4 Set/Box
550 mm	127142 ● 7*	4 Set/Box
600 mm	127142 ● 8*	4 Set/Box
650 mm	127142 ● 9*	4 Set/Box

2 Backboard Holder Without Gallery Railings		
KOD 16 mm	KOD 18 mm	PACKING
1279181*	1279185*	4 Set/Box

A Metal Back Panel

For order requirements and color options please refer to the **"Metal Back Panel Application"** section on [\[Page 293\]](#)

BOTTOM PANEL [●]	
16 mm	2
18 mm	5

Enter the number of your preferred bottom panel thickness to the [●] marked area.

5 Front Connectors Without gallery railing ***		
COLOR	CODE	PACKING
White	1279164211	10 Set
Grey	1279164231	10 Set

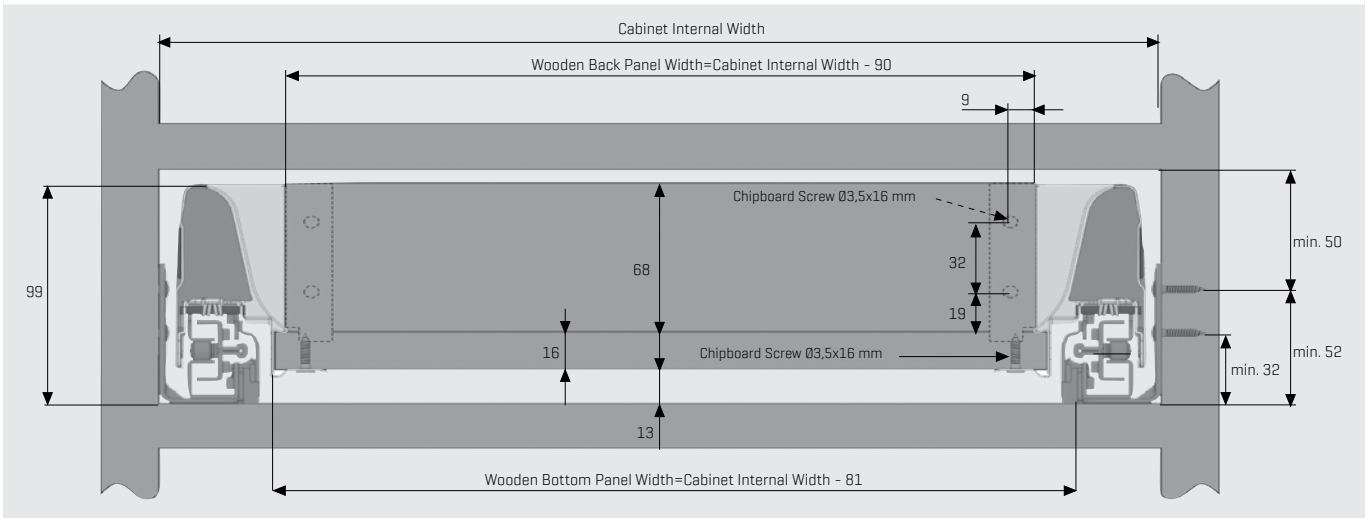
*** Front panel holder included

Basic package
 -SMARTBOX Slide Right-Left
 -SMARTBOX Side Right-Left
 -Front Connection Panel 2 Pieces
 -3,5x18 mm chipboard screw 4 pieces
 -Decorative Covers 2 Pieces
Backpanel holders are not included in basic package. Please order backpanel holders [2] seperately.

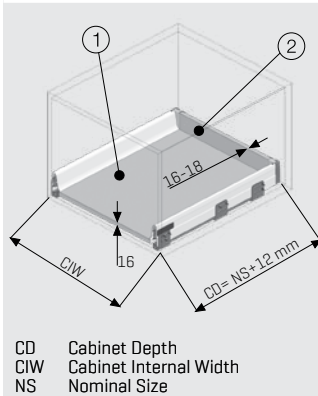
1= White 3= Grey

Colors can be chosen by adding the number of the color you desire instead of the [*] sign. Example: For 40 kg, 500 mm White Drawer [16 mm] = 127140261+ 12791811

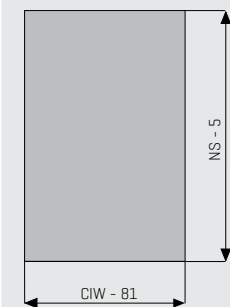
Slide Mounting Dimensions



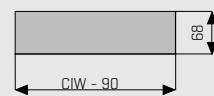
Wooden Back Panel Application



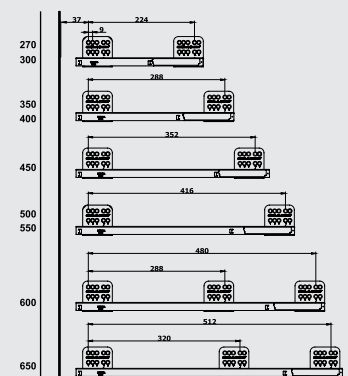
1. Wooden Drawer Bottom



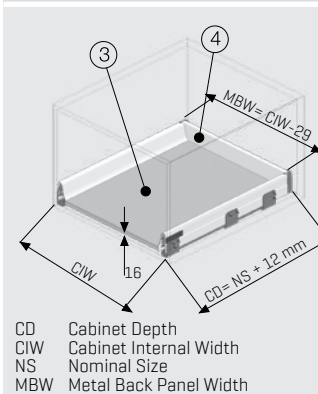
2. Wooden Back Panel



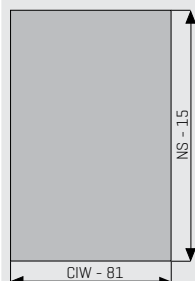
Slide Screw Location



Metal Back Panel Application



3. Wooden Drawer Bottom



4. Metal Back Panel without Gallery Railing

Order Requirements: 1279031*MBW
To obtain your desired color please add one of the below-mentioned figures to the end of the seven-digit code.
1= White 3= Grey
Calculation for 18 mm thick side panels
Example for cabinet width of 600 mm
Cabinet Internal Width= 564 mm
MBW= 564 mm - 29 mm= 535 mm
Order: 12790311535

Color MBW

*Special order of metal back panels can be made for drawers with wooden side panel thickness other than 18 mm

NOMINAL SIZE	White	Grey	PACKING
300mm	12790311235	12790313235	25 Pcs
450mm	12790311385	12790313385	25 Pcs
500mm	12790311485	12790313485	25 Pcs
600mm	12790311535	12790313535	10 Pcs
800mm	12790311735	12790313735	10 Pcs
900mm	12790311835	12790313835	10 Pcs
1200mm	12790311135	12790313135	10 Pcs

Calculation Method for Front Panel Dimensions: Cut Measurement = Cabinet Internal Width - 99

Recommended Screws For Rail Assembly

Ø3,5x16 mm Chipboard Screw



Ø6,1x11,5 mm Euro Screw



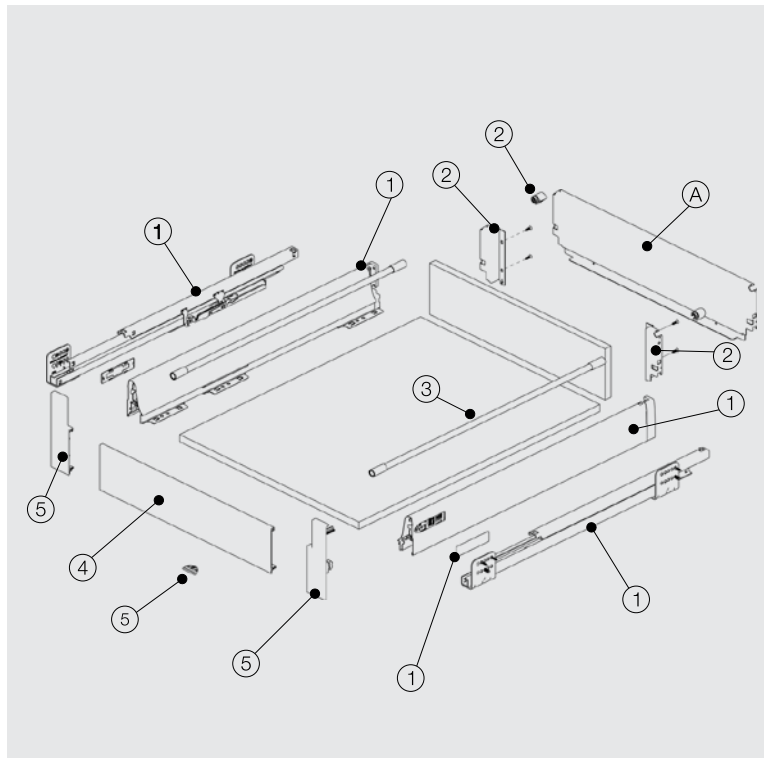
*All dimensions in the graphs above are measured in mm

SMARTBOX

H 100 In-Box Drawer with Single Gallery Railing



- Improved soft closing system guarantees smooth running
- Dynamic load capacity: 40 and 65 kg
- Finish: White and Grey
- 116 mm casing height
- Wooden backboard thickness options: 16 mm and 18 mm
- Drawer Length for 40 kg: 270/300/350/400/450/500/550/600/650 mm
- Drawer Length for 65 kg: 450/500/550/600/650 mm
- Smart-Click: Tool free assembly and removal of front panel
- Smart-Fit: Simple and tool free assembly, as well as removal of drawer
- The improved stability guarantees a long product durability



Load Capacity 40 kg	1 SMARTBOX Basic package	
	NOMINAL SIZE	PACKING
	CODE	
	270 mm	127140●1* 4 Set/Box
	300 mm	127140●2* 4 Set/Box
	350 mm	127140●3* 4 Set/Box
	400 mm	127140●4* 4 Set/Box
	450 mm	127140●5* 4 Set/Box
	500 mm	127140●6* 4 Set/Box
	550 mm	127140●7* 4 Set/Box
	600 mm	127140●8* 4 Set/Box
	650 mm	127140●9* 4 Set/Box

2 Backboard Holder Single Gallery Railing		
KOD 16 mm	KOD 18 mm	PACKING
1279182*	1279186*	4 Set/Box

4 Front Panel (LENGTH 1069 mm)		
COLOR	CODE	PACKING
White	12791711069	10 Pcs
Grey	12791731069	10 Pcs
Black	12791751069	10 Pcs

3 Gallery Railing Bar		
NOMINAL SIZE	CODE	PACKING
270 mm	12790141*	20 Set
300 mm	12790142*	20 Set
350 mm	12790143*	20 Set
400 mm	12790144*	20 Set
450 mm	12790145*	20 Set
500 mm	12790146*	20 Set
550 mm	12790147*	20 Set
600 mm	12790148*	20 Set
650 mm	12790149*	20 Set

Load Capacity 65 kg	1 SMARTBOX Basic package	
	NOMINAL SIZE	PACKING
	CODE	
	450 mm	127142●5* 4 Set/Box
	500 mm	127142●6* 4 Set/Box
	550 mm	127142●7* 4 Set/Box
	600 mm	127142●8* 4 Set/Box
	650 mm	127142●9* 4 Set/Box

A Metal Back Panel

For order requirements and color options please refer to the **“Metal Back Panel Application”** section on [\[Page 295\]](#)

BOTTOM PANEL [●]	
16 mm	2
18 mm	5

Enter the number of your preferred bottom panel thickness to the [●] marked area.

5 Front Connectors Single Gallery Railing***		
COLOR	CODE	PACKING
White	1279164311	10 Set
Grey	1279164331	10 Set

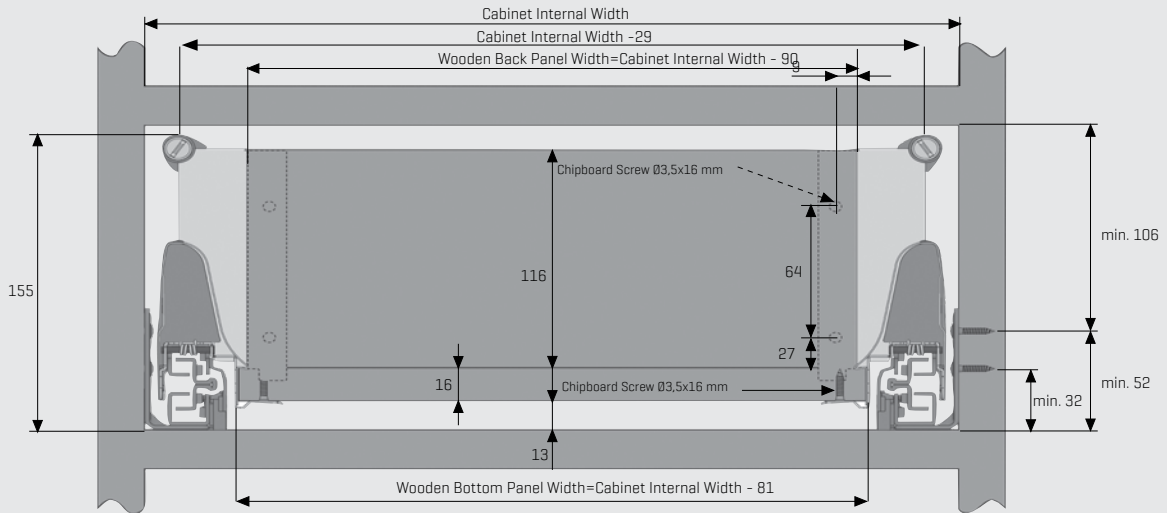
*** Front panel holder included

Basic package
 -SMARTBOX Slide Right-Left
 -SMARTBOX Side Right-Left
 -Front Connection Panel 2 Pieces
 -3,5x18 mm chipboard screw 4 pieces
 -Decorative Covers 2 Pieces
Backpanel holders are not included in basic package. Please order backpanel holders [2] separately.

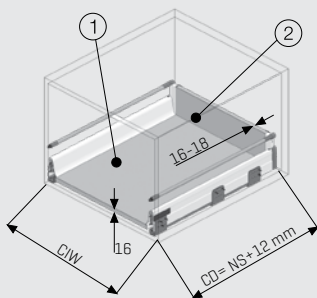
1= White 3= Grey

Colors can be chosen by adding the number of the color you desire instead of the [●] sign. Example: For 40 kg, 500 mm White Drawer [16 mm] = 127140261+ 12791811

Slide Mounting Dimensions

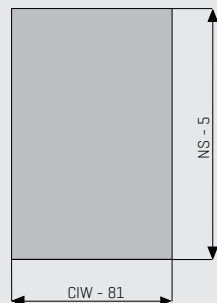


Wooden Back Panel Application

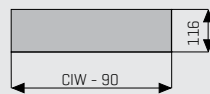


CD Cabinet Depth
CIW Cabinet Internal Width
NS Nominal Size

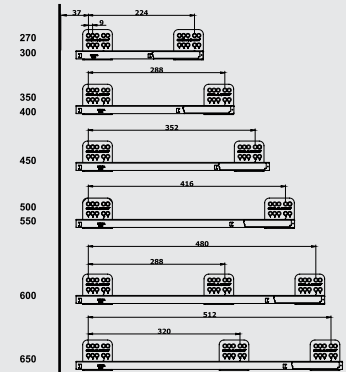
1. Wooden Drawer Bottom



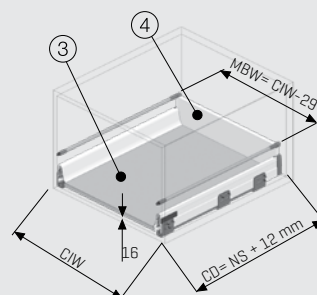
2. Wooden Back Panel



Slide Screw Location

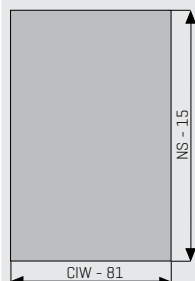


Metal Back Panel Application



CD Cabinet Depth
CIW Cabinet Internal Width
NS Nominal Size
MBW Metal Back Panel Width

3. Wooden Drawer Bottom



4. Metal Back Panel Single Gallery Railing

Order Requirements: 1279032*MBW
To obtain your desired color please add one of the below-mentioned figures to the end of the seven-digit code.
1= White 3= Grey
Calculation for 18 mm thick side panels
Example for cabinet width of 600 mm
Cabinet Internal Width= 564 mm
MBW= 564 mm - 29 mm= 535 mm
Order: 12790321535

Color MBW

*Special order of metal back panels can be made for drawers with wooden side panel thickness other than 18 mm

NOMINAL SIZE	White	Grey	PACKING
300 mm	12790321235	12790323235	25 Pcs
450 mm	12790321385	12790323385	25 Pcs
500 mm	12790321435	12790323435	25 Pcs
600 mm	12790321535	12790323535	10 Pcs
800 mm	12790321735	12790323735	10 Pcs
900 mm	12790321835	12790323835	10 Pcs
1200 mm	127903211135	127903231135	10 Pcs

Calculation Method for Front Panel Dimensions: Cut Measurement = Cabinet Internal Width - 99

Recommended Screws For Rail Assembly

Ø3,5x16 mm Chipboard Screw



Ø6,1x11,5 mm Euro Screw



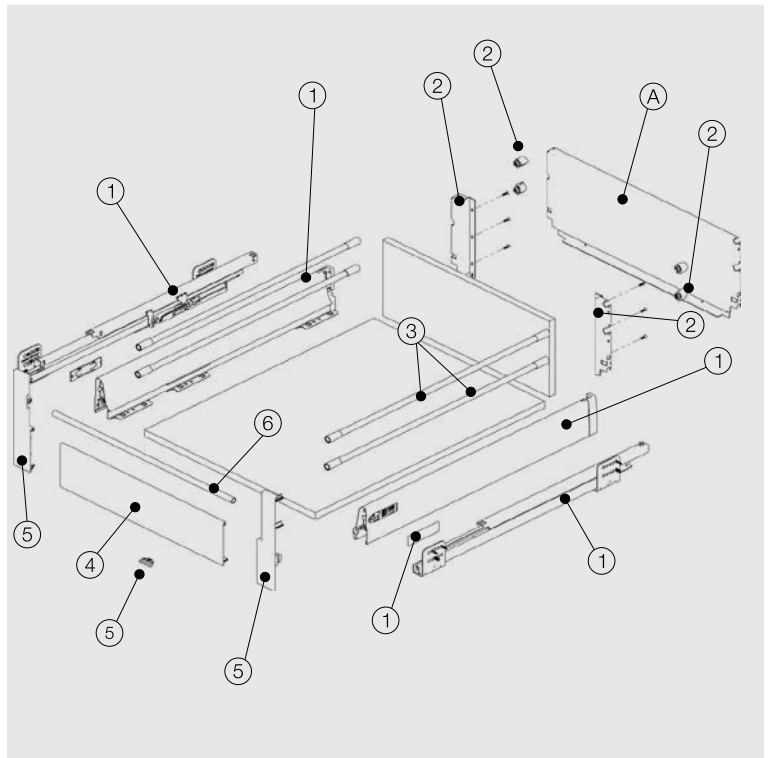
*All dimensions in the graphs above are measured in mm

SMARTBOX

H 100 In-Box Drawer with Double Gallery Railing



- Improved soft closing system guarantees smooth running
- Dynamic load capacity: 40 and 65 kg
- Finish: White and Grey
- 180 mm casing height
- Wooden backboard thickness options: 16 mm and 18 mm
- Drawer Length for 40 kg: 270/300/350/400/450/500/550/600/650 mm
- Drawer Length for 65 kg: 450/500/550/600/650 mm
- Smart-Click: Tool free assembly and removal of front panel
- Smart-Fit: Simple and tool free assembly, as well as removal of drawer
- The improved stability guarantees a long product durability



Load Capacity 40 kg	1 SMARTBOX Basic package		
	NOMINAL SIZE	CODE	PACKING
	270 mm	127140●1*	4 Set/Box
	300 mm	127140●2*	4 Set/Box
	350 mm	127140●3*	4 Set/Box
	400 mm	127140●4*	4 Set/Box
	450 mm	127140●5*	4 Set/Box
	500 mm	127140●6*	4 Set/Box
	550 mm	127140●7*	4 Set/Box
	600 mm	127140●8*	4 Set/Box
	650 mm	127140●9*	4 Set/Box

Load Capacity 65 kg	1 SMARTBOX Basic package		
	NOMINAL SIZE	CODE	PACKING
	450 mm	127142●5*	4 Set/Box
	500 mm	127142●6*	4 Set/Box
	550 mm	127142●7*	4 Set/Box
	600 mm	127142●8*	4 Set/Box
	650 mm	127142●9*	4 Set/Box

BOTTOM PANEL [●]

16 mm	2
18 mm	5

Enter the number of your preferred bottom panel thickness to the [●] marked area.

2 Backboard Holder Double Gallery Railing		
KOD 16 mm	KOD 18 mm	PACKING
1279183*	1279187*	4 Set/Box

4 Front Panel (LENGTH 1069 mm)		
COLOR	CODE	PACKING
White	12791711069	10 Pcs
Grey	12791731069	10 Pcs

6 Front Gallery Railing (LENGTH 1115 mm)		
COLOR	CODE	PACKING
White	12790471	10 Pcs
Grey	12790473	10 Pcs

Basic package
 - SMARTBOX Slide Right-Left
 - SMARTBOX Side Right-Left
 - Front Connection Panel 2 Pieces
 - 3,5x18 mm chipboard screw 4 pieces
 - Decorative Covers 2 Pieces
Backpanel holders are not included in basic package. Please order backpanel holders [2] seperately.

3 Gallery Railing Bar		
NOMINAL SIZE	CODE	PACKING
270 mm	12790141*	20 Set
300 mm	12790142*	20 Set
350 mm	12790143*	20 Set
400 mm	12790144*	20 Set
450 mm	12790145*	20 Set
500 mm	12790146*	20 Set
550 mm	12790147*	20 Set
600 mm	12790148*	20 Set
650 mm	12790149*	20 Set

5 Front Connectors Double Gallery Railing***		
*** Front panel holder included		
COLOR	CODE	PACKING
White	1279164411	10 Set
Grey	1279164431	10 Set

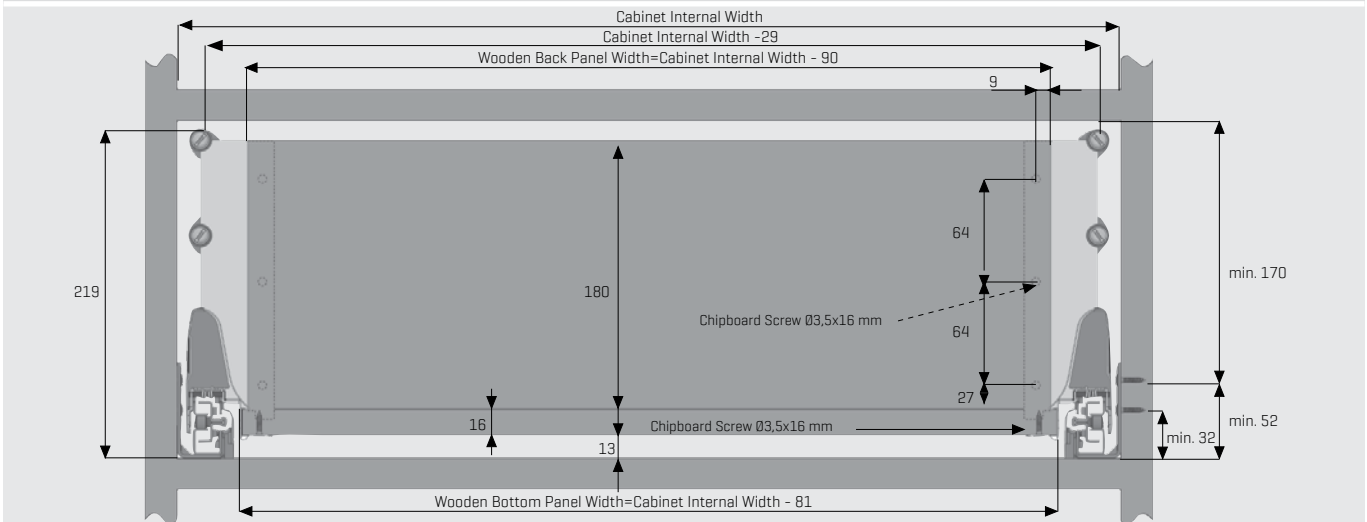
A Metal Back Panel

For order requirements and color options please refer to the "Metal Back Panel Application" section on [Page 297]

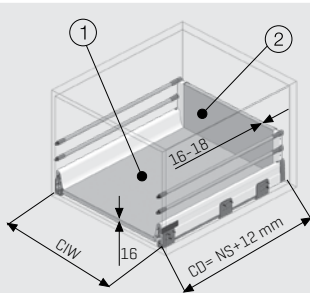
1= White 3= Grey

Colors can be chosen by adding the number of the color you desire instead of the [*] sign. Example: For 40 kg, 500 mm White Drawer [16 mm] = 127140261+ 12791811

Slide Mounting Dimensions

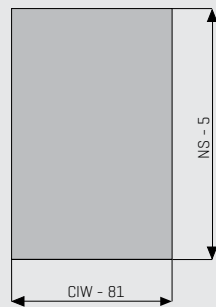


Wooden Back Panel Application

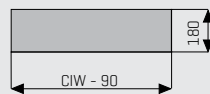


CD Cabinet Depth
CIW Cabinet Internal Width
NS Nominal Size

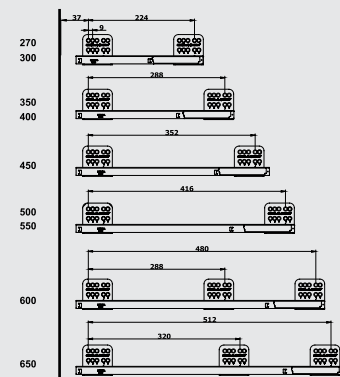
1. Wooden Drawer Bottom



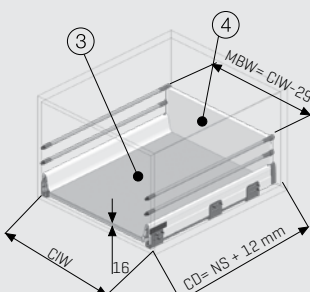
2. Wooden Back Panel



Slide Screw Location

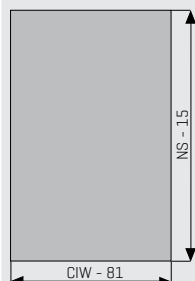


Metal Back Panel Application



CD Cabinet Depth
CIW Cabinet Internal Width
NS Nominal Size
MBW Metal Back Panel Width

3. Wooden Drawer Bottom



4. Metal Back Panel Double Gallery Railing

Order Requirements: 1279033*MBW
To obtain your desired color please add one of the below-mentioned figures to the end of the seven-digit code.

1= White 3= Grey
Calculation for 18 mm thick side panels
Example for cabinet width of 600 mm
Cabinet Internal Width= 564 mm
MBW= 564 mm - 29 mm= 535 mm
Order: 12790331535

Color MBW

*Special order of metal back panels can be made for drawers with wooden side panel thickness other than 18 mm

NOMINAL SIZE	White	Grey	PACKING
300mm	12790331235	12790333235	25 Pcs
450mm	12790331365	12790333365	25 Pcs
500mm	12790331435	12790333435	25 Pcs
600mm	12790331535	12790333535	10 Pcs
800mm	12790331735	12790333735	10 Pcs
900mm	12790331835	12790333835	10 Pcs
1200mm	12790331135	127903331135	10 Pcs

Calculation Method for Front Panel Dimensions: Cut Measurement = Cabinet Internal Width - 99
Calculation Method for Front Panel Dimensions: Cut Measurement = Cabinet Internal Width - 53

Recommended Screws For Rail Assembly

Ø3,5x16 mm Chipboard Screw



Ø6,1x11,5 mm Euro Screw



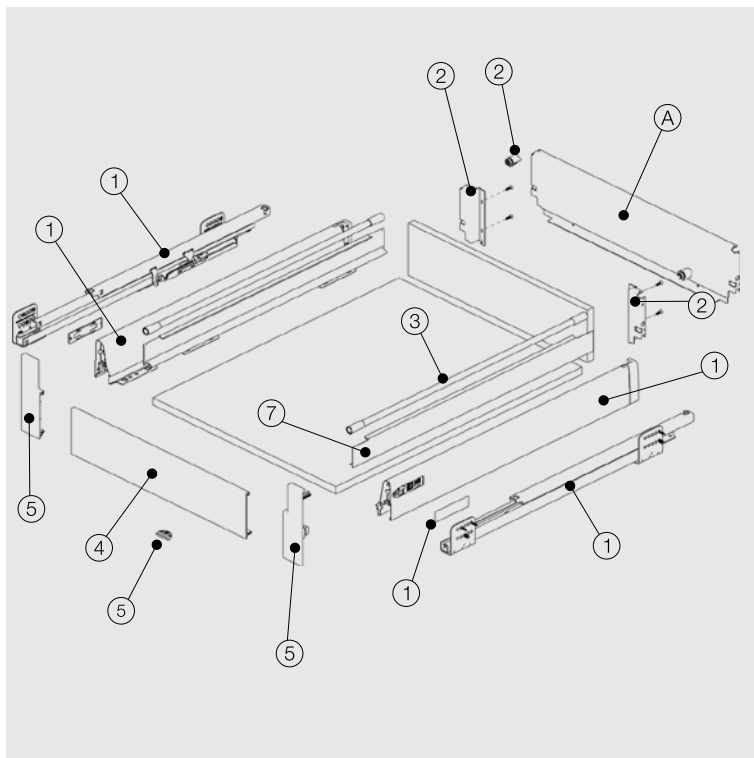
*All dimensions in the graphs above are measured in mm

SMARTBOX

H 100 In-Box Drawer with Metal Side Panel H:48



- Improved soft closing system guarantees smooth running
- Dynamic load capacity: 40 and 65 kg
- Finish: White and Grey
- 116 mm casing height
- Wooden backboard thickness options: 16 mm and 18 mm
- Drawer Length for 40 kg: 450/500/550/600/650 mm
- Drawer Length for 65 kg: 450/500/550/600/650 mm
- Smart-Click: Tool free assembly and removal of front panel
- Smart-Fit: Simple and tool free assembly, as well as removal of drawer
- The improved stability guarantees a long product durability



Load Capacity 40 kg	1 SMARTBOX Basic package	
	NOMINAL SIZE	PACKING
	CODE	
450 mm	127140●5*	4 Set/Box
500 mm	127140●6*	4 Set/Box
550 mm	127140●7*	4 Set/Box
600 mm	127140●8*	4 Set/Box
650 mm	127140●9*	4 Set/Box

Load Capacity 65 kg	1 SMARTBOX Basic package	
	NOMINAL SIZE	PACKING
	CODE	
450 mm	127142●5*	4 Set/Box
500 mm	127142●6*	4 Set/Box
550 mm	127142●7*	4 Set/Box
600 mm	127142●8*	4 Set/Box
650 mm	127142●9*	4 Set/Box

2 Backboard Holder Single Gallery Railing		
KOD 16 mm	KOD 18 mm	PACKING
1279182*	1279186*	4 Set/Box

4 Front Panel (LENGTH 1069 mm)		
COLOR	CODE	PACKING
White	12791711069	10 Pcs
Grey	12791731069	10 Pcs

7 Side Panel	
For order requirements and color options please refer to the "Side Panels" section on [Page 317]	

BOTTOM PANEL [●]	
16 mm	2
18 mm	5

Enter the number of your preferred bottom panel thickness to the [●] marked area.

3 Gallery Railing Bar				
NOMINAL SIZE	PACKING	Standard * Optional (Easy Mounting Gallery Railings)		
		CODE * Screw	CODE * Dowel	
450 mm	20 Set	12790145*	127901855*	127901865*
500 mm	20 Set	12790146*	127901856*	127901866*
550 mm	20 Set	12790147*	127901857*	127901867*
600 mm	20 Set	12790148*	127901858*	127901868*
650 mm	20 Set	12790149*	127901859*	127901869*

5 Front Connectors Single Gallery Railing***		
*** Front panel holder included		
COLOR	CODE	PACKING
White	1279164311	10 Set
Grey	1279164331	10 Set

A Metal Back Panel	
--------------------	--

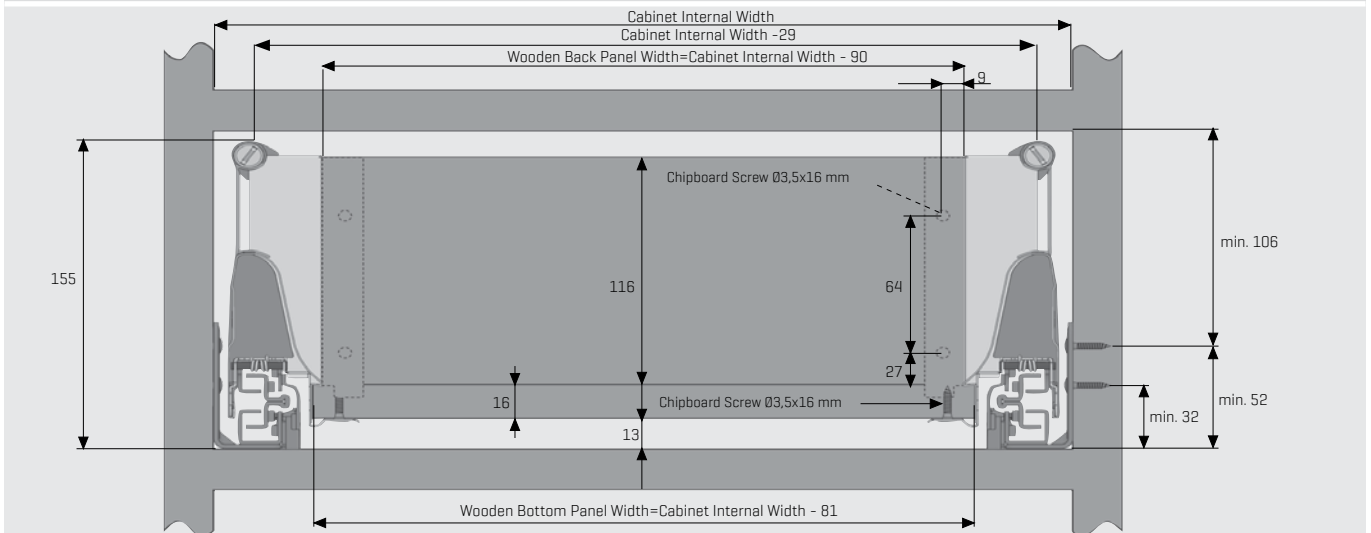
For order requirements and color options please refer to the "Metal Back Panel Application" section on [Page 299]

Basic package
 -SMARTBOX Slide Right-Left
 -SMARTBOX Side Right-Left
 -Front Connection Panel 2 Pieces
 -3,5x18 mm chipboard screw 4 pieces
 -Decorative Covers 2 Pieces
 Backpanel holders are not included in basic package.
 Please order backpanel holders [2] separately.

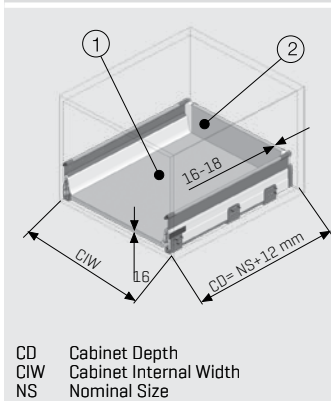
1= White 3= Grey

Colors can be chosen by adding the number of the color you desire instead of the [*] sign. Example: For 40 kg, 500 mm White Drawer [16 mm] = 127140261+ 12791811

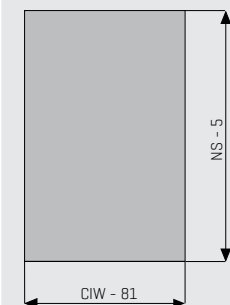
Slide Mounting Dimensions



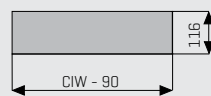
Wooden Back Panel Application



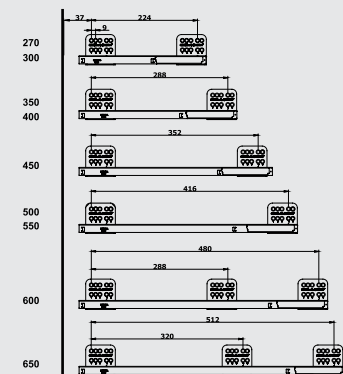
1. Wooden Drawer Bottom



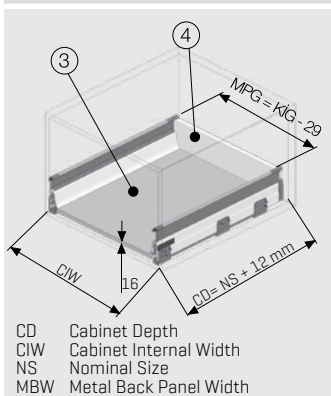
2. Wooden Back Panel



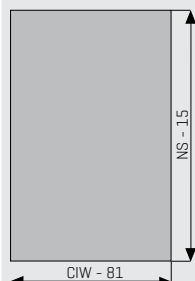
Slide Screw Location



Metal Back Panel Application



3. Wooden Drawer Bottom



4. Metal Back Panel Side Panel H:48

Order Requirements: 1279032*MBW

To obtain your desired color please add one of the below-mentioned figures to the end of the seven-digit code.

1= White 3= Grey

Calculation for 18 mm thick side panels

Example for cabinet width of 600 mm

Cabinet Internal Width= 564 mm

MBW= 564 mm - 29 mm= 535 mm

Order: 12790321535

Color MBW

*Special order of metal back panels can be made for drawers with wooden side panel thickness other than 18 mm

NOMINAL SIZE	White	Grey	PACKING
300 mm	12790321235	12790323235	25 Pcs
450 mm	12790321385	12790323385	25 Pcs
500 mm	12790321435	12790323435	25 Pcs
600 mm	12790321535	12790323535	10 Pcs
800 mm	12790321735	12790323735	10 Pcs
900 mm	12790321835	12790323835	10 Pcs
1200 mm	127903211135	127903231135	10 Pcs

Calculation Method for Front Panel Dimensions: Cut Measurement = Cabinet Internal Width - 99

Recommended Screws For Rail Assembly

Ø3,5x16 mm Chipboard Screw



Ø6,1x11,5 mm Euro Screw



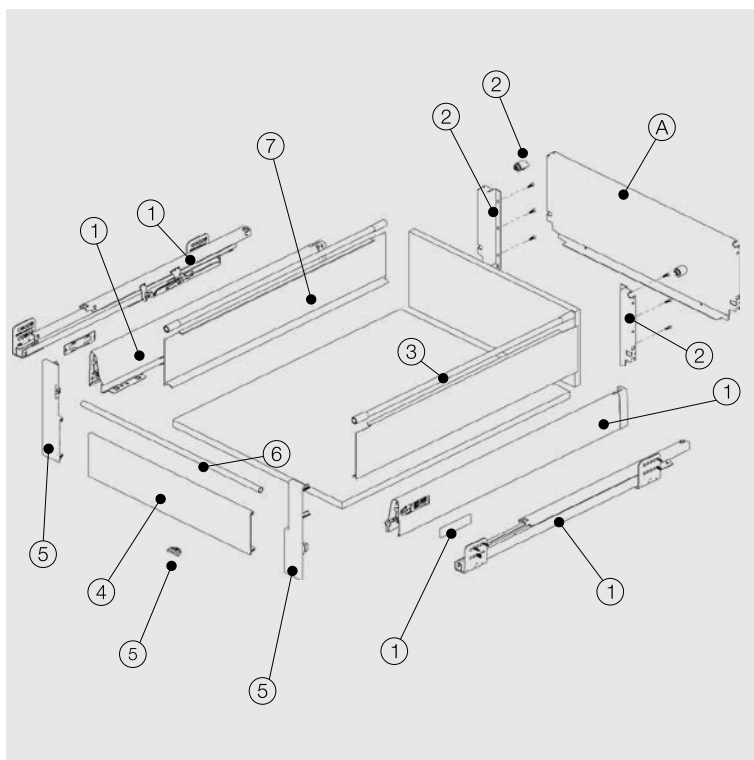
*All dimensions in the graphs above are measured in mm

SMARTBOX

H 100 In-Box Drawer with Metal Side Panel H:112



- Improved soft closing system guarantees smooth running
- Dynamic load capacity: 40 and 65 kg
- Finish: White and Grey
- 180 mm casing height
- Wooden backboard thickness options: 16 mm and 18 mm
- Drawer Length for 40 kg: 270/300/350/400/450/500/550/600/650 mm
- Drawer Length for 65 kg: 450/500/550/600/650 mm
- Smart-Click: Tool free assembly and removal of front panel
- Smart-Fit: Simple and tool free assembly, as well as removal of drawer
- The improved stability guarantees a long product durability



Load Capacity 40 kg	1 SMARTBOX Basic package		
	NOMINAL SIZE	CODE	PACKING
	450 mm	127140●5*	4 Set/Box
	500 mm	127140●6*	4 Set/Box
	550 mm	127140●7*	4 Set/Box
	600 mm	127140●8*	4 Set/Box
	650 mm	127140●9*	4 Set/Box

Load Capacity 65 kg	1 SMARTBOX Basic package		
	NOMINAL SIZE	CODE	PACKING
	450 mm	127142●5*	4 Set/Box
	500 mm	127142●6*	4 Set/Box
	550 mm	127142●7*	4 Set/Box
	600 mm	127142●8*	4 Set/Box
	650 mm	127142●9*	4 Set/Box

BOTTOM PANEL [●]	
16 mm	2
18 mm	5

Enter the number of your preferred bottom panel thickness to the [●] marked area.

2 Backboard Holder Side Panel H:112 **		
KOD 16 mm	KOD 18 mm	PACKING
1279184*	1279188*	4 Set/Box

4 Front Panel (LENGTH 1069 mm)		
COLOR	CODE	PACKING
White	12791711069	10 Pcs
Grey	12791731069	10 Pcs

6 Front Gallery Railing (LENGTH 1115 mm)		
COLOR	CODE	PACKING
White	12790471	10 Pcs
Grey	12790473	10 Pcs

7 Side Panel	
For order requirements and color options please refer to the "Side Panels" section on [Page 317]	

3 Gallery Railing Bar				
NOMINAL SIZE	PACKING	Standard * Optional (Easy Mounting Gallery Railings)		
		CODE	CODE * Screw	CODE * Dowel
450 mm	20 Set	12790145*	127901855*	127901865*
500 mm	20 Set	12790146*	127901856*	127901866*
550 mm	20 Set	12790147*	127901857*	127901867*
600 mm	20 Set	12790148*	127901858*	127901868*
650 mm	20 Set	12790149*	127901859*	127901869*

5 Front Connectors Double Gallery Railing***		
*** Front panel holder included		
COLOR	CODE	PACKING
White	1279164411	10 Set
Grey	1279164431	10 Set

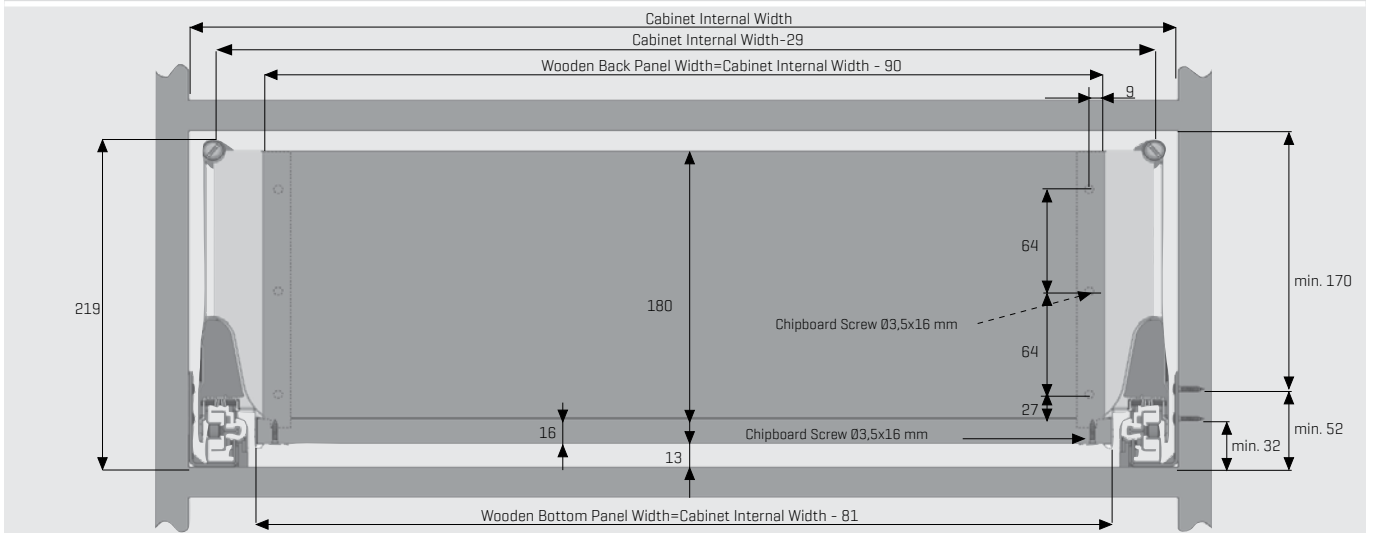
A Metal Back Panel	
For order requirements and color options please refer to the "Metal Back Panel Application" section on [Page 301]	

Basic package
 -SMARTBOX Slide Right-Left
 -SMARTBOX Side Right-Left
 -Front Connection Panel 2 Pieces
 -3,5x18 mm chipboard screw 4 pieces
 -Decorative Covers 2 Pieces
Backpanel holders are not included in basic package. Please order backpanel holders (2) separately.

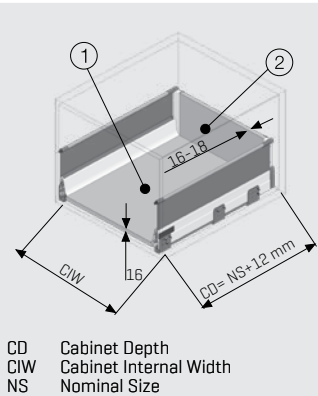
1= White 3= Grey

Colors can be chosen by adding the number of the color you desire instead of the [*] sign. Example: For 40 kg, 500 mm White Drawer [16 mm] = 127140261+ 12791811

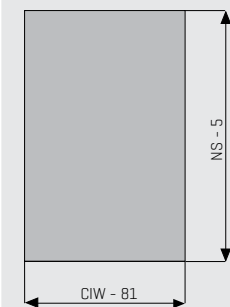
Slide Mounting Dimensions



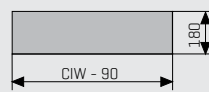
Wooden Back Panel Application



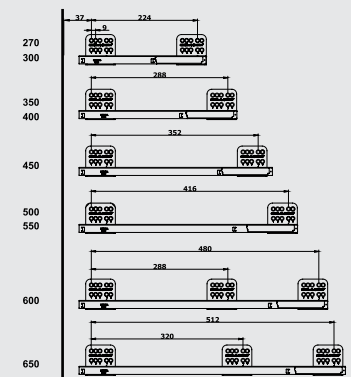
1. Wooden Drawer Bottom



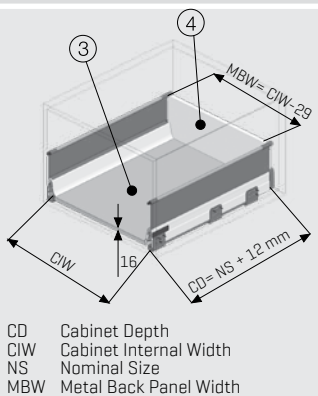
2. Wooden Back Panel



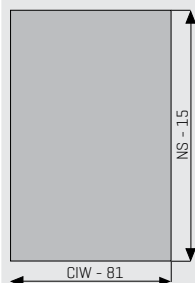
Slide Screw Location



Metal Back Panel Application



3. Wooden Drawer Bottom



4. Metal Back Panel Side Panel H:112

Order Requirements: 1279034*MBW

To obtain your desired color please add one of the below-mentioned figures to the end of the seven-digit code.
 1= White 3= Grey

Calculation for 18 mm thick side panels
 Example for cabinet width of 600 mm
 Cabinet Internal Width= 564 mm
 MBW= 564 mm - 29 mm= 535 mm
 Order: 12790341535

Color MBW

*Special order of metal back panels can be made for drawers with wooden side panel thickness other than 18 mm

NOMINAL SIZE	White	Grey	PACKING
300 mm	12790341235	12790343235	25 Pcs
450 mm	12790341385	12790343385	25 Pcs
500 mm	12790341485	12790343485	25 Pcs
600 mm	12790341535	12790343535	10 Pcs
800 mm	12790341735	12790343735	10 Pcs
900 mm	12790341835	12790343835	10 Pcs
1200 mm	127903411135	127903431135	10 Pcs

Calculation Method for Front Panel Dimensions: Cut Measurement=Cabinet Internal Width - 59
 Calculation Method of Front Gallery Railing: Cut Measurement=Cabinet Internal Width - 53

Recommended Screws For Rail Assembly

Ø3,5x16 mm Chipboard Screw



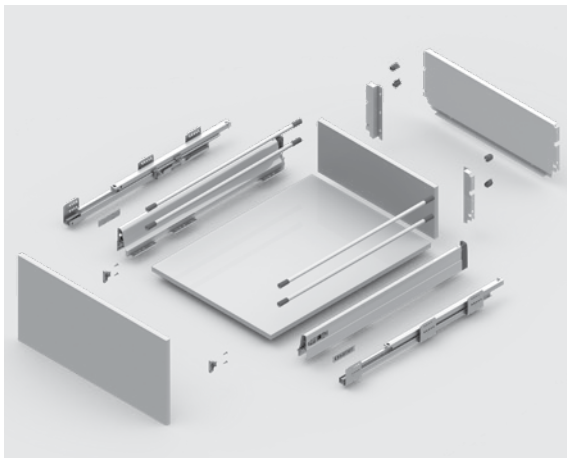
Ø6,1x11,5 mm Euro Screw



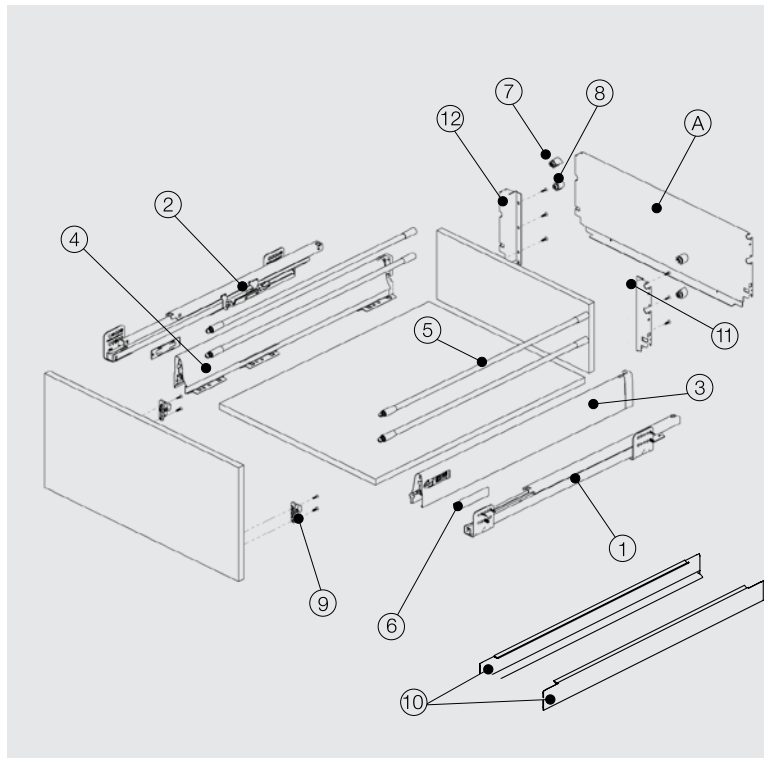
*All dimensions in the graphs above are measured in mm

SMARTBOX

Industrial Codes for Drawer Systems



- Improved soft closing system guarantees smooth running
- Dynamic load capacity: 40 and 65 kg
- ± 2 mm vertical and ± 1,5 mm horizontal adjustment
- Finish: White and Grey
- Wooden backboard thickness options: 16 mm and 18 mm
- Drawer Length for 40 kg: 270/300/350/400/450/500/550/600/650 mm
- Drawer Length for 65 kg: 450/500/550/600/650 mm
- Smart-Click: Tool free assembly and removal of front panel
- Smart-Fit: Simple and tool free assembly, as well as removal of drawer
- The improved stability guarantees a long product durability



Load Capacity 40 kg	1-2 SMARTBOX Slide Right-Left		
	NOMINAL SIZE	CODE Right	CODE Left
270 mm	12714311	12714312	20 Pcs
300 mm	12714321	12714322	20 Pcs
350 mm	12714331	12714332	20 Pcs
400 mm	12714341	12714342	20 Pcs
450 mm	12714351	12714352	20 Pcs
500 mm	12714361	12714362	20 Pcs
550 mm	12714371	12714372	20 Pcs
600 mm	12714381	12714382	20 Pcs
650 mm	12714391	12714392	20 Pcs

3-4 SMARTBOX Side	
CODE	PACKING
1271451*	20 Pcs
1271452*	20 Pcs
1271453*	20 Pcs
1271454*	20 Pcs
1271455*	20 Pcs
1271456*	20 Pcs
1271457*	20 Pcs
1271458*	20 Pcs
1271459*	20 Pcs

5	Gallery Railing Bar			
	NOMINAL SIZE	PACKING	Standard	* Optional (Easy Mounting Gallery Railings)
CODE			CODE * Screw	CODE * Dowel
270 mm	20 Set	12790141*	127901851*	127901861*
300 mm	20 Set	12790142*	127901852*	127901862*
350 mm	20 Set	12790143*	127901853*	127901863*
400 mm	20 Set	12790144*	127901854*	127901864*
450 mm	20 Set	12790145*	127901855*	127901865*
500 mm	20 Set	12790146*	127901856*	127901866*
550 mm	20 Set	12790147*	127901857*	127901867*
600 mm	20 Set	12790148*	127901858*	127901868*
650 mm	20 Set	12790149*	127901859*	127901869*

Load Capacity 65 kg	1-2 SMARTBOX Slide Right-Left		
	NOMINAL SIZE	CODE Right	CODE Left
450 mm	12714451	12714452	20 Pcs
500 mm	12714461	12714462	20 Pcs
550 mm	12714471	12714472	20 Pcs
600 mm	12714481	12714482	20 Pcs
650 mm	12714491	12714492	20 Pcs

6 Decorative Cover			7 Top Gallery Railing Holder		
COLOR	CODE	PACKING	COLOR	CODE	PACKING
White	1279051	1000Pcs	White	12790611	250Pcs
Grey	1279053	1000Pcs	Grey	12790613	250Pcs

11-12 Backboard Holder				
TYPE	Wooden B. Panel	CODE Right	CODE Left	PACKING
Without Gallery Railing	16mm	1279190*1	1279190*2	40 Pcs
	18mm	12790211*	12790212*	40 Pcs
Single Gallery Railing	16mm	1279191*1	1279191*2	20 Pcs
	18mm	12790221*	12790222*	20 Pcs
Double Gallery Railing	16mm	1279192*1	1279192*2	10 Pcs
	18mm	12790231*	12790232*	10 Pcs
Side Panel H:112	16mm	1279193*1	1279193*2	10 Pcs
	18mm	12790241*	12790242*	10 Pcs

9 Front Connection Pieces		
PRODUCT DESCRIPTION	CODE	PACKING
Zinc	127904121	500 Pcs
Zinc Ø10 Dowel	127904122	500 Pcs
Zinc Ø8 Dowel	127904123	500 Pcs

8 Bottom Gallery Railing Holder			Bottom Panel [•]		
COLOR	CODE	PACKING	Bottom Panel	Side Right	Side Left
White	12790621	250 Pcs	16mm	1	2
Grey	12790623	250 Pcs	18mm	3	4

10 Side Panel
For order requirements and color options please refer to the "Side Panels" section on (Page 317)

A Metal Back Panel
For order requirements and color options please refer to the "Metal Back Panel Application" section on (Page 303)

* Easy mounting gallery railings; They can not be used at In-Box drawer applications.

1= White 3= Grey
Colors can be chosen by adding the number of the color you desire instead of the [*] sign. Example: For 40 kg, 500 mm White Drawer [16 mm] = 127140261+
12791811



SMARTBOX Drawer

- 1-2** SMARTBOX Slide Right-Left
- 3-4** SMARTBOX Side Right-Left
- 6** Decorative Cover x 2 Pcs
- 9** Front Connection Pieces x 2 Pcs
- 11-12** Without Gallery Railing Backboard Holder Right-Left



SMARTBOX Drawer with Single Gallery Railing

- 1-2** SMARTBOX Slide Right-Left
- 3-4** SMARTBOX Side Right-Left
- 5** Gallery Railing Bar x 1 Set
- 6** Decorative Cover x 2 Pcs
- 7** Top Gallery Railing Holder x 2 Pcs
- 9** Front Connection Pieces x 2 Pcs
- 11-12** Single Gallery Railing Backboard Holder Right-Left



SMARTBOX Drawer with Double Gallery Railing

- 1-2** SMARTBOX Slide Right-Left
- 3-4** SMARTBOX Side Right-Left
- 5** Gallery Railing Bar x 2 Set
- 6** Decorative Cover x 2 Pcs
- 7** Top Gallery Railing Holder x 2 Pcs
- 8** Bottom Gallery Railing Holder x 2 Pcs
- 9** Front Connection Pieces x 2 Pcs
- 11-12** Double Gallery Railing Backboard Holder Right-Left



Smart Box Drawer Side Panel H:48

- 1-2** SMARTBOX Slide Right-Left
- 3-4** SMARTBOX Side Right-Left
- 5** Gallery Railing Bar x 1 Set
- 6** Decorative Cover x 2 Pcs
- 7** Top Gallery Railing Holder x 2 Pcs
- 9** Front Connection Pieces x 2 Pcs
- 10** Side Panel H=48 x 1 Set
- 11-12** Single Gallery Railing Backboard Holder Right-Left

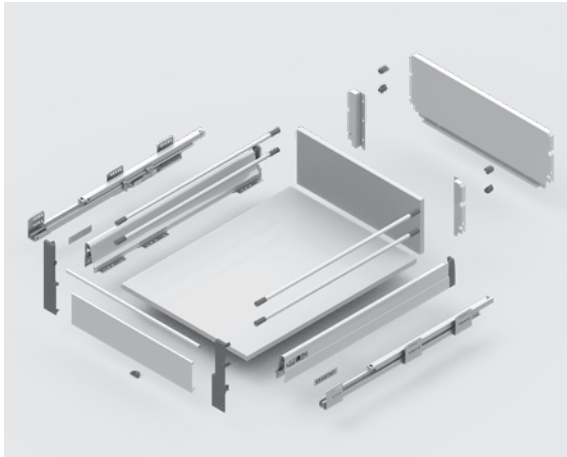


SMARTBOX Drawer Side Panel H:112

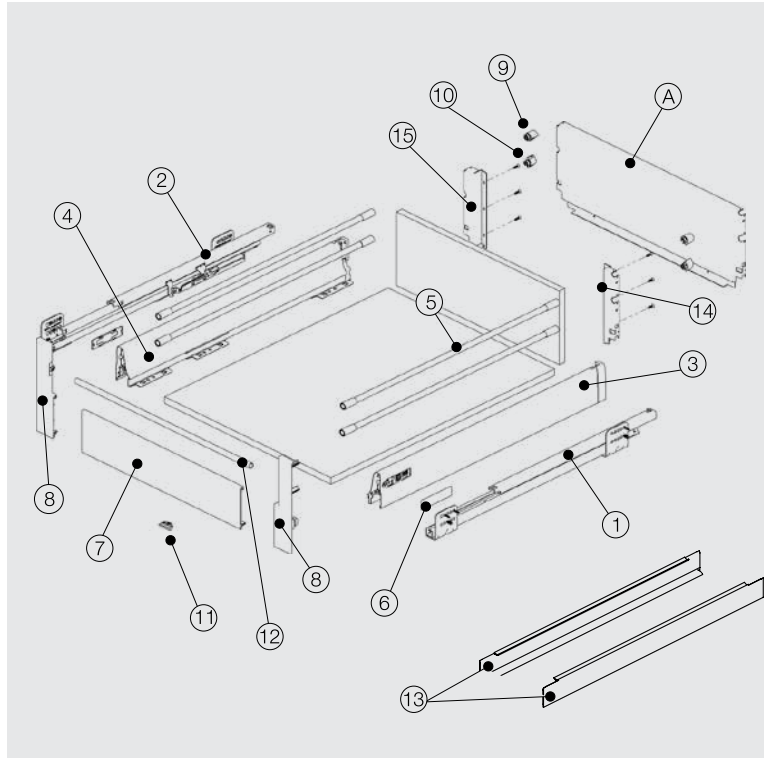
- 1-2** SMARTBOX Slide Right-Left
- 3-4** SMARTBOX Side Right-Left
- 5** Gallery Railing Bar x 1 Set
- 6** Decorative Cover x 2 Pcs
- 7** Top Gallery Railing Holder x 2 Pcs
- 9** Front Connection Pieces x 2 Pcs
- 10** Side Panel H=112 x 1 Set
- 11-12** H:112 Side Panel Backboard Holder Right-Left

SMARTBOX

Industrial Codes for In-Box Drawers



- Improved soft closing system guarantees smooth running
- Dynamic load capacity: 40 and 65 kg
- Finish: White and Grey
- Wooden backboard thickness options: 16 mm and 18 mm
- Drawer Length for 40 kg: 270/300/350/400/450/500/550/600/650 mm
- Drawer Length for 65 kg: 450/500/550/600/650 mm
- Smart-Click: Tool free assembly and removal of front panel
- Smart-Fit: Simple and tool free assembly, as well as removal of drawer
- The improved stability guarantees a long product durability



Load Capacity 40 kg	1-2 SMARTBOX Slide Right-Left		
	NOMINAL SIZE	CODE Right	CODE Left
270 mm	12714311	12714312	20 Pcs
300 mm	12714321	12714322	20 Pcs
350 mm	12714331	12714332	20 Pcs
400 mm	12714341	12714342	20 Pcs
450 mm	12714351	12714352	20 Pcs
500 mm	12714361	12714362	20 Pcs
550 mm	12714371	12714372	20 Pcs
600 mm	12714381	12714382	20 Pcs
650 mm	12714391	12714392	20 Pcs

3-4 SMARTBOX Side	
CODE	PACKING
1271451*	20 Pcs
1271452*	20 Pcs
1271453*	20 Pcs
1271454*	20 Pcs
1271455*	20 Pcs
1271456*	20 Pcs
1271457*	20 Pcs
1271458*	20 Pcs
1271459*	20 Pcs

5 Gallery Railing Bar	
CODE	PACKING
12790141*	20 Set
12790142*	20 Set
12790143*	20 Set
12790144*	20 Set
12790145*	20 Set
12790146*	20 Set
12790147*	20 Set
12790148*	20 Set
12790149*	20 Set

6 Decorative Cover		
COLOR	CODE	PACK-AGING
White	1279051	1000 Pcs
Grey	1279053	1000 Pcs

7 Front Panel (LENGTH 1069 mm)		
COLOR	CODE	PACK-AGING
White	1279171069	10 Pcs
Grey	12791731069	10 Pcs

Load Capacity 65 kg	1-2 SMARTBOX Slide Right-Left		
	NOMINAL SIZE	CODE Right	CODE Left
450 mm	12714451	12714452	20 Pcs
500 mm	12714461	12714462	20 Pcs
550 mm	12714471	12714472	20 Pcs
600 mm	12714481	12714482	20 Pcs
650 mm	12714491	12714492	20 Pcs

8 Front Connectors Right-Left **		
** Front panel holder included		
TYPE	CODE	PACK-AGING
Without Gallery Railing	12791642*1	10 Set
S. Gallery Railing	12791643*1	10 Set
D. Gallery Railing	12791644*1	10 Set

9 Top Gallery Railing Holder		
COLOR	CODE	PACKING
White	12790611	250 Pcs
Grey	12790613	250 Pcs

14-15 Back Panel Holder Right-Left				
TYPE	Wooden B. Panel	CODE Right	CODE Left	PACK-AGING
Without Gallery Railing	16 mm	1279190*1	1279190*2	40 Pcs
	18 mm	12790211*	12790212*	40 Pcs
Single Gallery Railing	16 mm	1279191*1	1279191*2	20 Pcs
	18 mm	12790221*	12790222*	20 Pcs
Double Gallery Railing	16 mm	1279192*1	1279192*2	10 Pcs
	18 mm	12790231*	12790232*	10 Pcs
Side Panel H:112	16 mm	1279193*1	1279193*2	10 Pcs
	18 mm	12790241*	12790242*	10 Pcs

12 Front Gallery Railing (LENGTH 1115 mm)		
COLOR	CODE	PACKING
White	12790471	10 Pcs
Grey	12790473	10 Pcs
Black	12790475	10 Pcs

10 Bottom Gallery Railing Holder		
COLOR	CODE	PACKING
White	12790621	250 Pcs
Grey	12790623	250 Pcs

11 Front Panel Holder		
COLOR	CODE	PACKING
Grey	12790481	500 Pcs

13 Side Panel

For order requirements and color options please refer to the "Side Panels" section on [Page 317]

Bottom Panel [•]		
Bottom Panel	Side Right	Side Left
16mm	1	2
18mm	3	4

A Metal Back Panel

For order requirements and color options please refer to the "Metal Back Panel Application" section on [Page 305] Dependent on the type of the drawer.

1= White 3= Grey

Colors can be chosen by adding the number of the color you desire instead of the [*] sign. Example: For 40 kg, 500 mm White Drawer [16 mm] = 127140261+ 12791811



SMARTBOX In-Box

- 1-2 SMARTBOX Slide Right-Left
- 3-4 SMARTBOX Side Right-Left
- 6 Decorative Cover x 2 Pcs
- 7 Front Panel x 1 Pcs
- 8 Front Connectors Without Gallery Railing Right-Left
- 14-15 Without Gallery Railing Backboard Holder Right-Left



SMARTBOX In-Box Single Gallery Railing

- 1-2 SMARTBOX Slide Right-Left
- 3-4 SMARTBOX Side Right-Left
- 5 Gallery Railing Bar x 1 Set
- 6 Decorative Cover x 2 Pcs
- 7 Front Panel x 1 Pcs
- 8 Front Connectors Single Gallery Railing Right-Left
- 9 Top Gallery Railing Holder x 2 Pcs
- 14-15 Single Gallery Railing Backboard Holder Right-Left



SMARTBOX In-Box Double Gallery Railing

- 1-2 SMARTBOX Slide Right-Left
- 3-4 SMARTBOX Side Right-Left
- 5 Gallery Railing Bar x 2 Set
- 6 Decorative Cover x 2 Pcs
- 7 Front Panel x 1 Pcs
- 8 Front Connectors Double Gallery Railing Right-Left
- 9 Top Gallery Railing Holder x 2 Pcs
- 10 Bottom Gallery Railing Holder x 2 Pcs
- 12 Front Gallery Railing x 1 Pcs
- 14-15 Double Gallery Railing Backboard Holder Right-Left



SMARTBOX In-Box Side Panel H:48

- 1-2 SMARTBOX Slide Right-Left
- 3-4 SMARTBOX Side Right-Left
- 5 Gallery Railing Bar x 1 Set
- 6 Decorative Cover x 2 Pcs
- 7 Front Panel x 1 Pcs
- 8 Front Connectors Single Gallery Railing Right-Left
- 9 Top Gallery Railing Holder x 2 Pcs
- 13 Side Panel H=48 x 1 Set
- 14-15 Single Gallery Railing Backboard Holder Right-Left

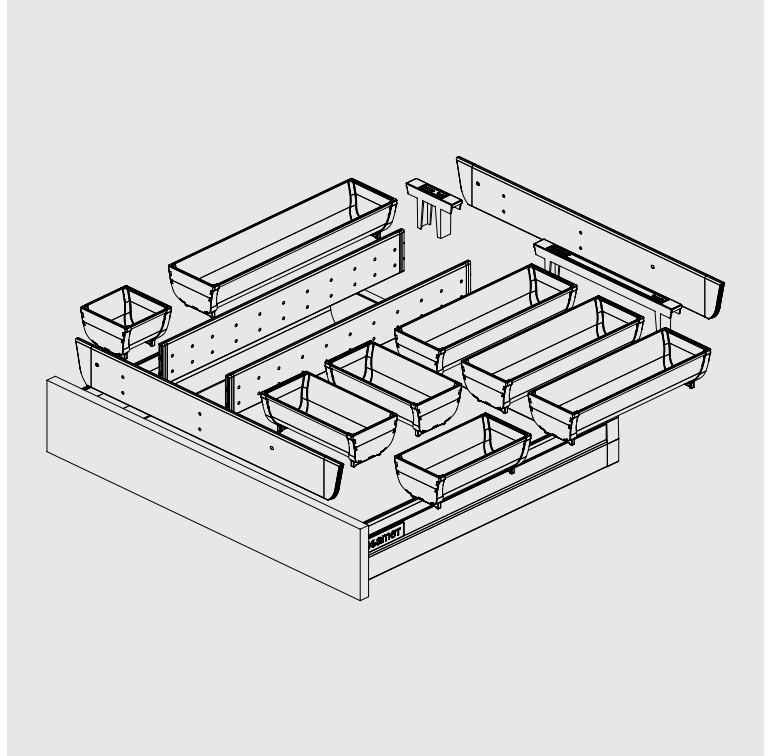


SMARTBOX In-Box Side Panel H:112

- 1-2 SMARTBOX Slide Right-Left
- 3-4 SMARTBOX Side Right-Left
- 5 Gallery Railing Bar x 1 Set
- 6 Decorative Cover x 2 Pcs
- 7 Front Panel x 1 Pcs
- 8 Front Connectors Double Gallery Railing Right-Left
- 9 Top Gallery Railing Holder x 2 Pcs
- 12 Front Gallery Railing x 1 Pcs
- 13 Side Panel H=112 x 1 Set
- 14-15 H:112 Side Panel Backboard Holder Right-Left

SMARTBOX

Invaria Cutlery - SC



invaria:

- Various dimension alternatives.
- Optimal usage of the available space.
- Stainless Steel.
- Adjustable divider.
- Stored items can be easily accessed.

Cabinet Width- 450 mm



DEPTH	CODE	PACKING	COLOR
450	12732540450	1 Set	Grey
500	12732640450	1 Set	Grey
650**	12732940450	1 Set	Grey

**To order the set with 650 mm depth, please use the codes for both 500 mm and 650 mm



Cabinet Width- 600 mm



DEPTH	CODE	PACKING	COLOR
450	12732540600	1 Set	Grey
500	12732640600	1 Set	Grey
650**	12732940600	1 Set	Grey

Cabinet Width- 900 mm



DEPTH	CODE	PACKING	COLOR
450	12732540900	1 Set	Grey
500	12732640900	1 Set	Grey
650**	12732940900	1 Set	Grey

Cabinet Width- 1200 mm

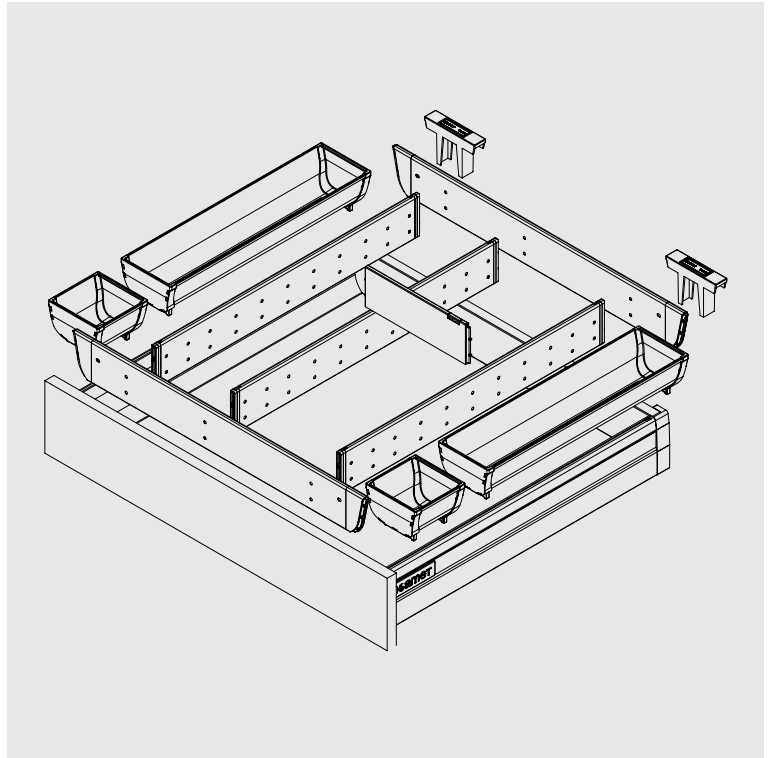


DEPTH	CODE	PACKING	COLOR
450	12732541200	1 Set	Grey
500	12732641200	1 Set	Grey
650**	12732941200	1 Set	Grey

**To order the set with 650 mm depth, please use the codes for both 500 mm and 650 mm

SMARTBOX

Invaria Electronic - SE



invaria:

- Various dimension alternatives.
- Optimal usage of the available space.
- Stainless Steel.
- Adjustable divider.
- Stored items can be easily accessed.

Cabinet Width- 600 mm



DEPTH	CODE	PACKING
450	12733540600	1 Set
500	12733640600	1 Set
650**	12733940600	1 Set

Cabinet Width- 900 mm



DEPTH	CODE	PACKING
450	12733540900	1 Set
500	12733640900	1 Set
650**	12733940900	1 Set

Cabinet Width- 1200 mm



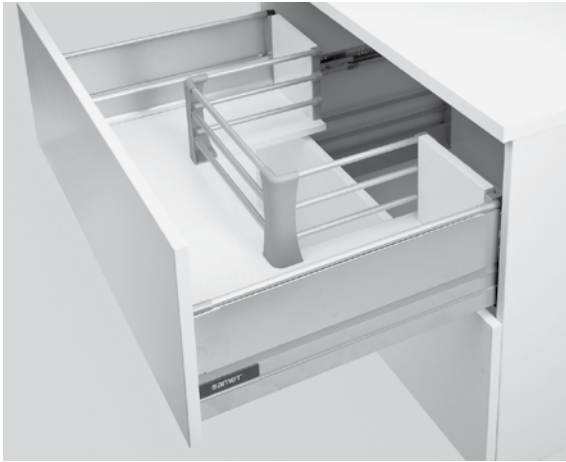
DEPTH	CODE	PACKING
450	12733541200	1 Set
500	12733641200	1 Set
650**	12733941200	1 Set

**To order the set with 650 mm depth, please use the codes for both 500 mm and 650 mm

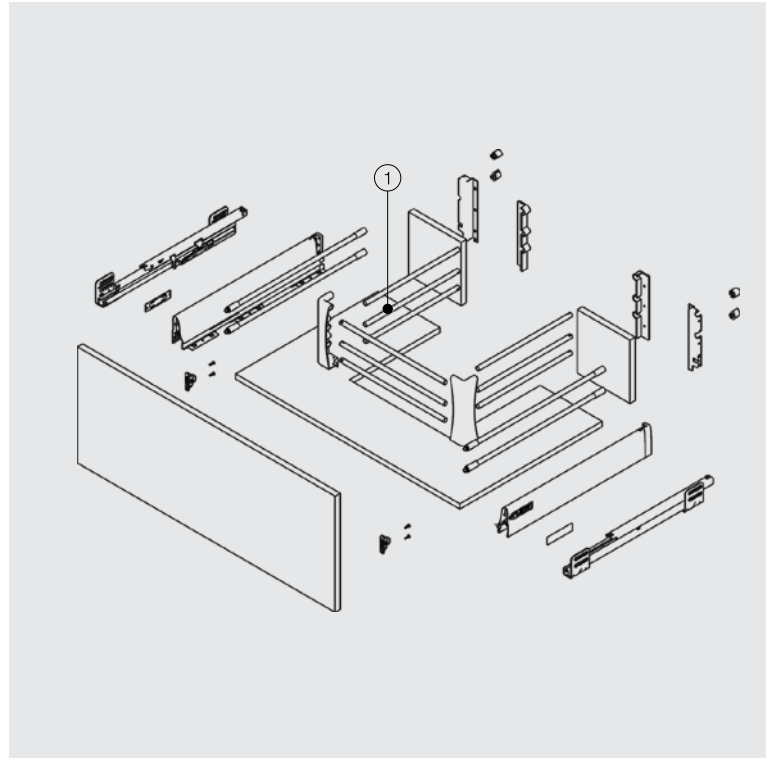
SMARTBOX

Sink Cabinet with Gallery Railing

samet



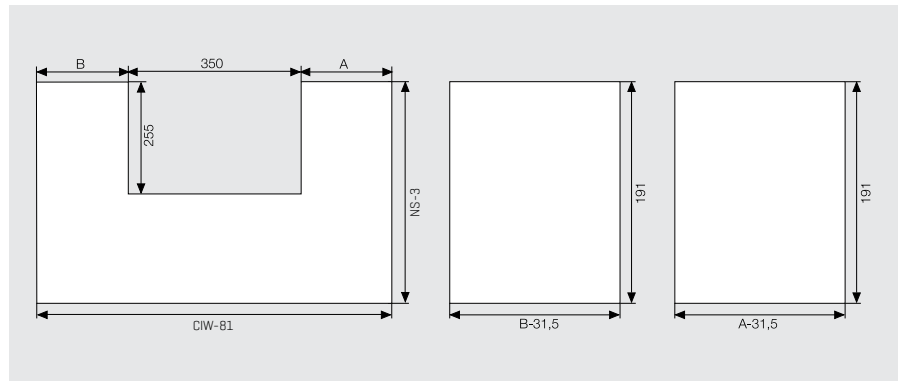
- Set for 900 – 1.200 mm drawers.
- Various color options.
- Easy assembly.



1 Sink Cabinet with Gallery Railing

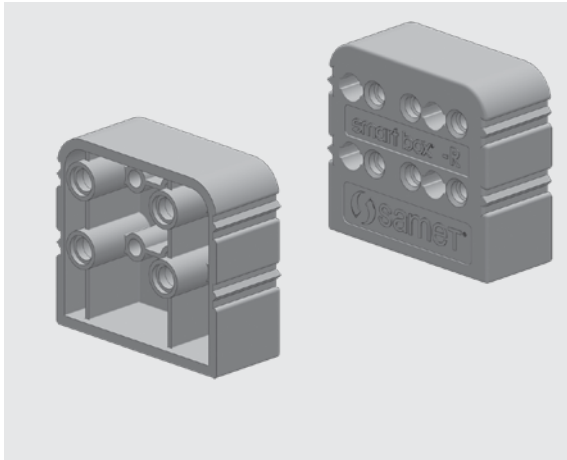
LENGTH	CODE	COLOR	PACKING
900-1200 mm	12714601	White	1 Set / Cr.
900-1200 mm	12714603	Grey	1 Set / Cr.

**For 500 mm sink cabinets with wire, please
Note: NS = 500 mm [Side length]

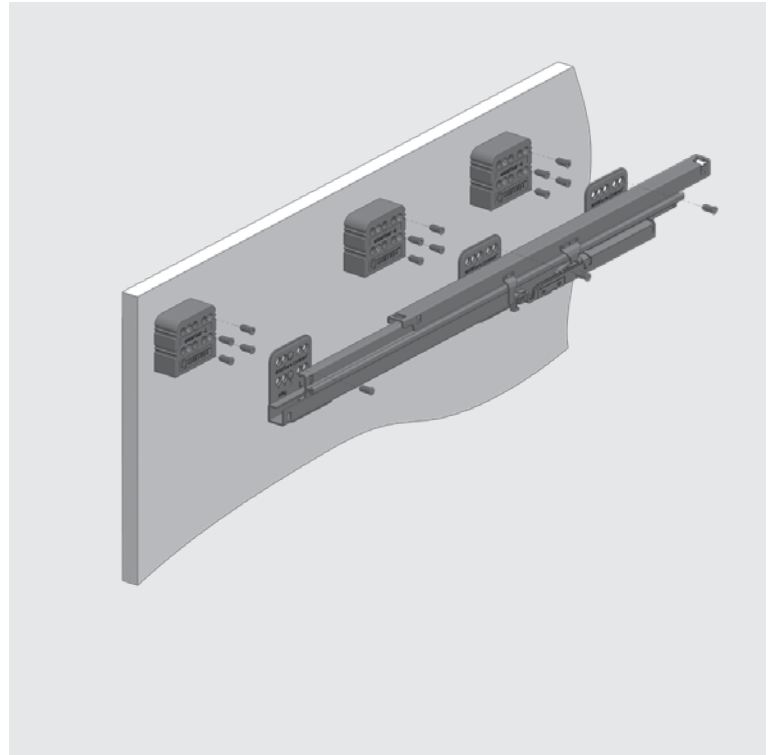


SMARTBOX

Distance Bracket



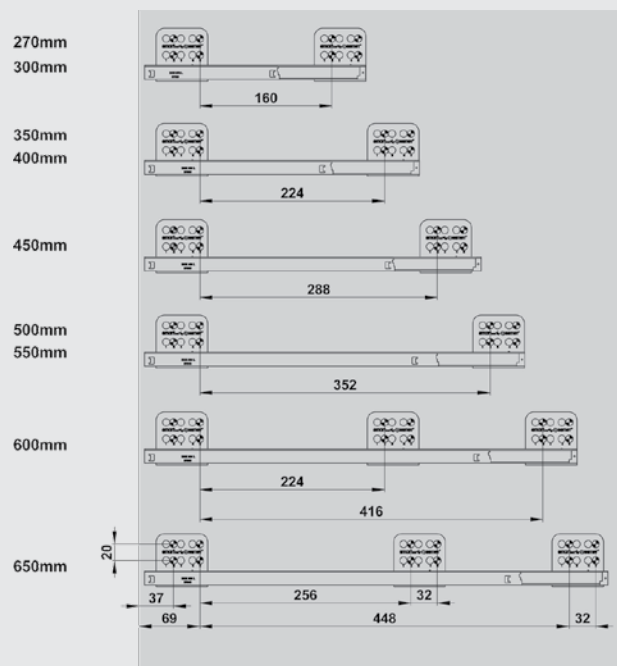
- Smart Box distance bracket is used for In-Box applications of Smart drawer slides.
- Ø6 mm Euro Screw is recommended to be used as fixing screw.
- When calculating the drawer dimensions the thickness of the distance bracket should be considered as S=25 mm

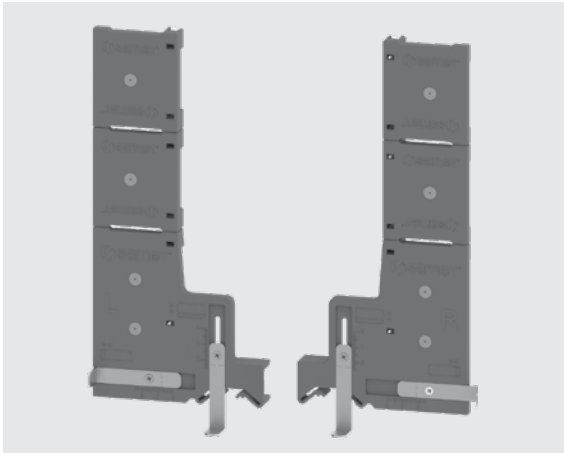


Distance Bracket

	CODE	COLOR	PACKING
Right	12790763	Grey	50 Pcs
Left	12790764	Grey	50 Pcs

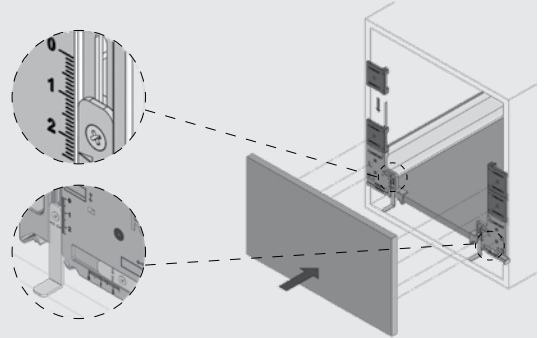
Screw Location Table



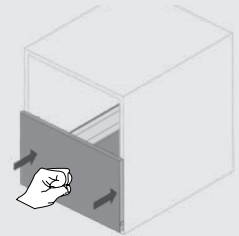


- This template directly provides marking of Smart Box front panels in the cabinet without taking any measurement.
- It can be used for drawers without, with single and with double gallery railing and side panel H:48 and H:112 models.
- Front panel can be horizontally and vertically adjusted on the template.

The vertical and horizontal adjustments are made as shown; by assembling the front panel marking template to the drawer in the cabinet.



Marking is done by hitting the front panel placed on the adjusted template.



Drawer Front Panel Marking Template

CODE	PACKING
12799908	1 Set-Box 10 Box-Crt.

SMARTBOX

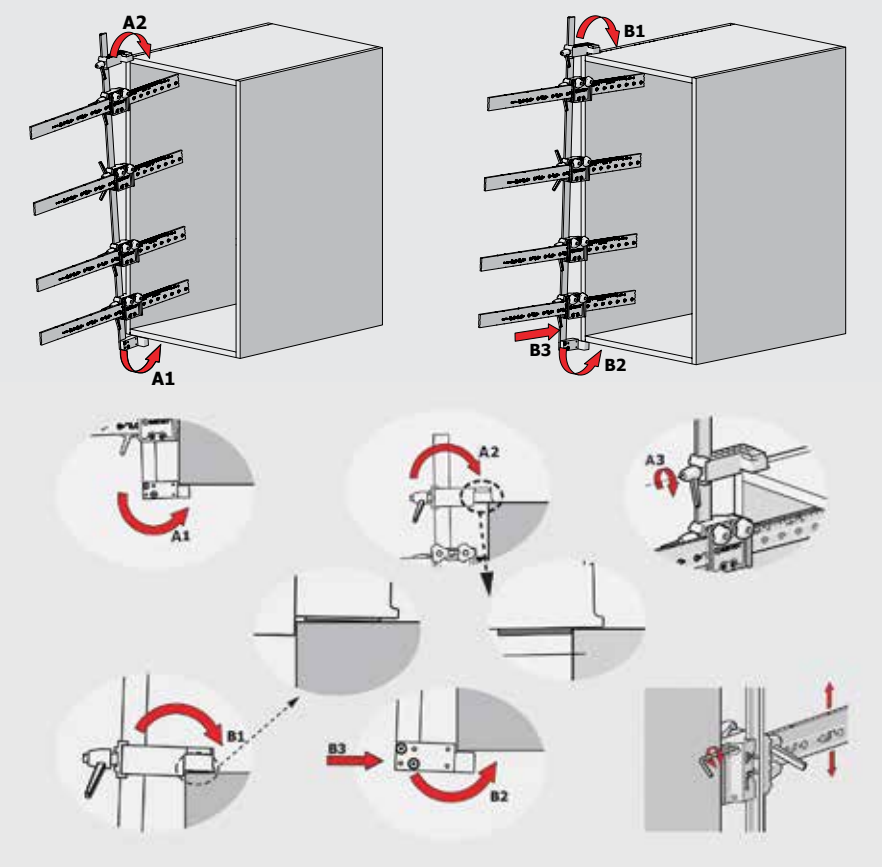
Universal Drilling Jig with Ruler

- The ruler allows to easily drill screw holes in both assembled and disassembled cabinets.
- When drilling slide connection holes to assembled cabinets both inside and outside surface of the cabinet bottom can be used as the reference plane.
- The locking device allows the fixing of the drilling jig to the cabinet.
- By moving the template, the assembling of both the normal and inside drawers can be done.
- The drilling jig can be used for Smarbox, Smart Slide Single Extension, Smart Slide Full Extension, as well as Sam Box drawer slides.
- Assembling holes require a $\varnothing 2,5$ mm diameter drill.
[Euro screws require $\varnothing 5$ diameter drill.]



Universal Drilling Jig with Ruler		
DEFINITION	CODE	PACKING
Internal Mounting Euro Screw	12799909	1Set
External Mounting Euro Screw	12799910	1Set
Internal Mounting Chipboard Screw	12799911	1 Set
External Mounting Chipboard Screw	12799912	1Set

External Mounting



Adjusting Jig and Drilling

smart box	17	16	15	14	13	12	11	10	9	8	7	6	5	4	3	2	1
270, 300	●	●	●	●	●	●	●	●	●	●	●	●	●	●	●	●	●
350, 400	●	●	●	●	●	●	●	●	●	●	●	●	●	●	●	●	●
450	●	●	●	●	●	●	●	●	●	●	●	●	●	●	●	●	●
500, 550	●	●	●	●	●	●	●	●	●	●	●	●	●	●	●	●	●
600	●	●	●	●	●	●	●	●	●	●	●	●	●	●	●	●	●
650	●	●	●	●	●	●	●	●	●	●	●	●	●	●	●	●	●

smart slide	17	16	15	14	13	12	11	10	9	8	7	6	5	4	3	2	1
250, 300	●	●	●	●	●	●	●	●	●	●	●	●	●	●	●	●	●
350, 400	●	●	●	●	●	●	●	●	●	●	●	●	●	●	●	●	●
450, 500	●	●	●	●	●	●	●	●	●	●	●	●	●	●	●	●	●
550, 600	●	●	●	●	●	●	●	●	●	●	●	●	●	●	●	●	●

Drilling Front Panel

Front connectors and gallery railing bar holes can be marked at once.

Example: $x=15$ mm

KIG - 35 mm

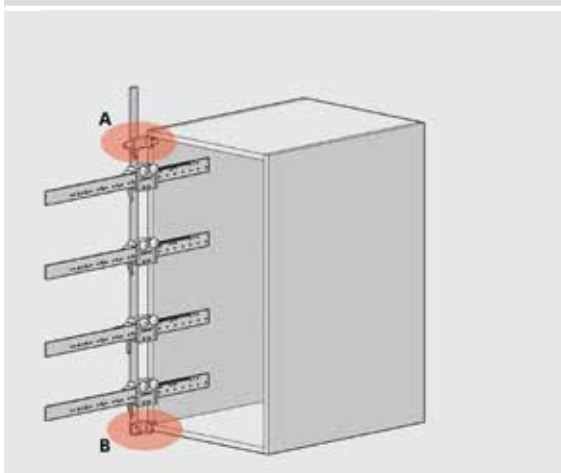
51.5 mm

X mm

X = 15 mm

180°

Internal Mounting



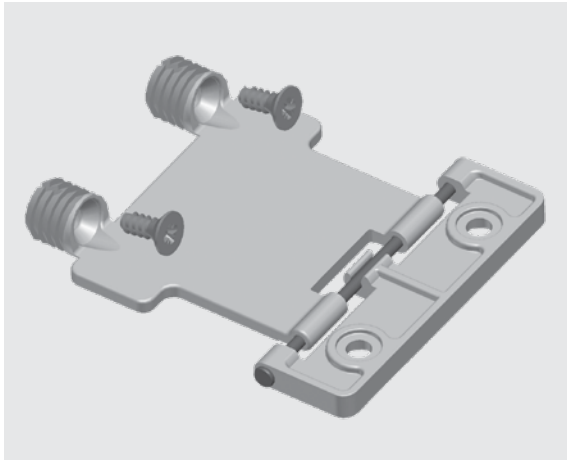
Fixture Usage

External Mounting

Internal Mounting

SMARTBOX

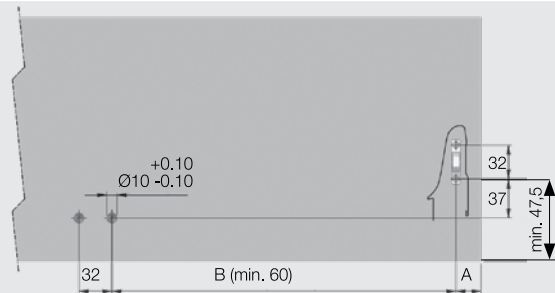
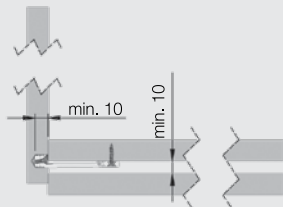
Drawer Front Stabilizer



- It is used to make a more stable connection between wooden bottom panel and wooden front panel.
- Recommended for the application with cabinets of 600 mm width or more.



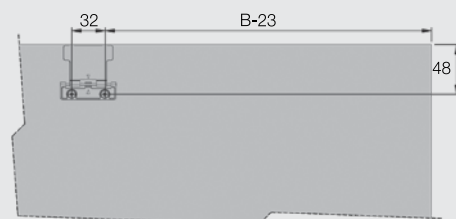
Drawer Front Stabilizer



Drawer Front Stabilizer

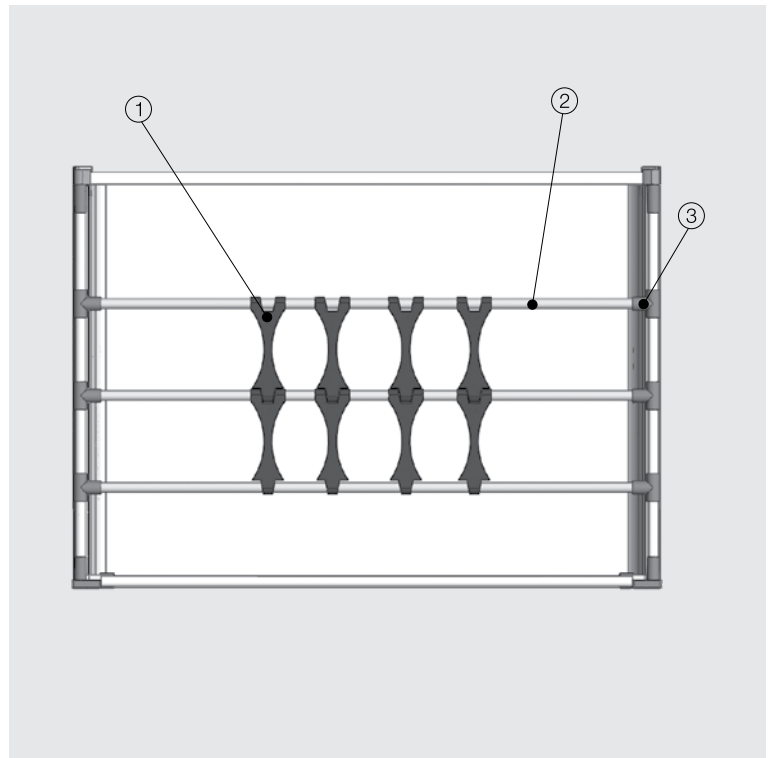
CODE	COLOR	PACKING
12790461	Grey	250 Pcs

Wooden Floor Hole Dimensions





- Applicable with all drawers used with gallery railings.
- For bottles with a diameter of Ø30- Ø100 mm
- The usage is recommended for bottom gallery railings with double gallery railing drawers.



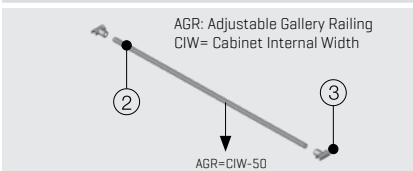
1 Bottle Holder



COLOR	CODE	PACKING
White	127902011	20 Pcs/Box- 80 Pcs/Crt.
Grey	127902013	20 Pcs/Box- 80 Pcs/Crt.

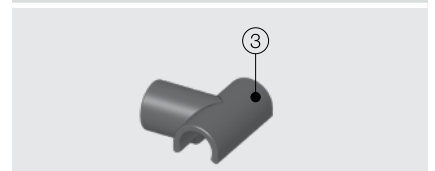
2 Adjustable Gallery Railing

1104 mm



COLOR	CODE	PACKING
White	1121981	10 Pcs/Crt.
Grey	1121983	10 Pcs/Crt.

3 Adapter for Gallery Railing



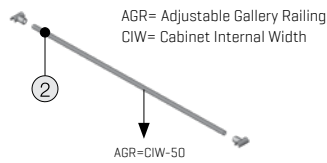
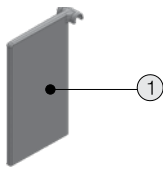
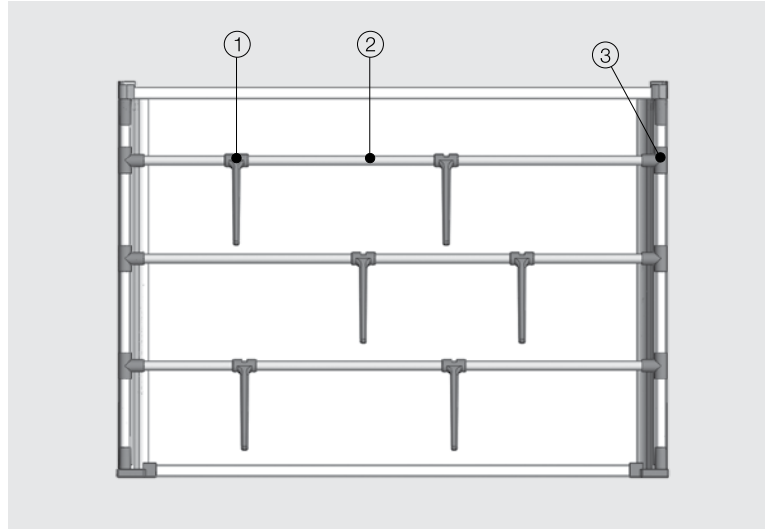
COLOR	CODE	PACKING
White	1121991	50 Pcs/Box - 200 Pcs/Crt.
Grey	1121993	50 Pcs/Box - 200 Pcs/Crt.

SMARTBOX

Inside Drawer Dividing Systems



- Adjustable cross dividing and lateral dividers.
- Various color options.
- Easy to remove and position.



1 Drawer Inside Dividing Systems H:120

COLOR	CODE	PACKING
White	127901751	20 Pcs/Crt.
Grey	127901753	20 Pcs/Crt.

2 Adjustable Gallery Railing 1104

COLOR	CODE	PACKING
White	1121981	10 Pcs/Crt.
Grey	1121983	10 Pcs/Crt.

3 Adapter for Gallery Railing

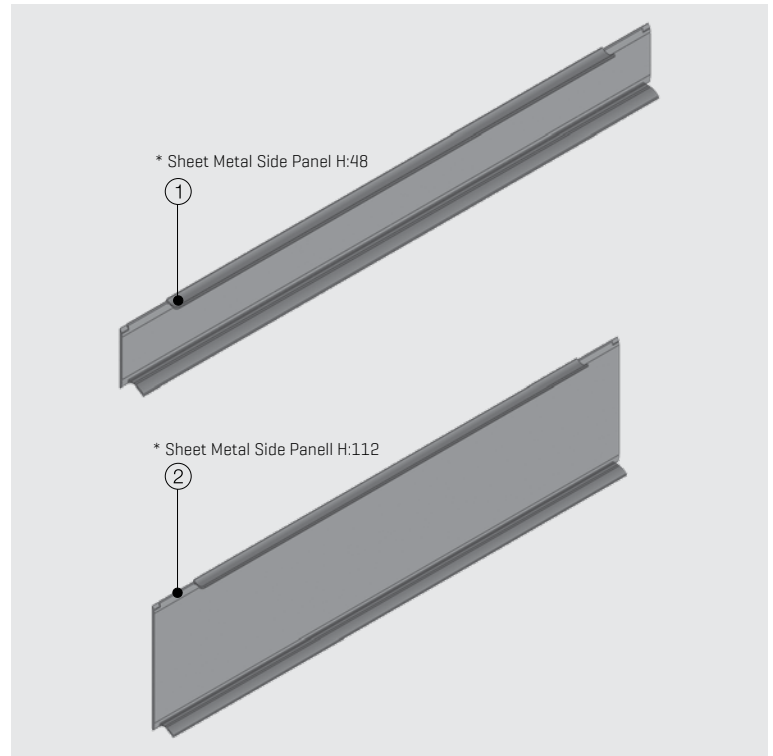
COLOR	CODE	PACKING
White	1121991	50 Pcs-Crt. / 200 Pcs-Crt.
Grey	1121993	50 Pcs-Crt. / 200 Pcs-Crt.

1 Drawer Inside Dividing Systems H:185

COLOR	CODE	PACKING
White	127901761	20 Pcs/Crt.
Grey	127901763	20 Pcs/Crt.



- 48 mm and 112 mm drawer height options.
- Various color options.
- Easy removal and fitting.



1 Sheet Metal Side Panels H:48			
LENGTH	CODE	COLOR	PACKING
450 mm	127900915	White	10 Set/Crt.
500 mm	127900916	White	10 Set/Crt.
550 mm	127900917	White	10 Set/Crt.
600 mm	127900918	White	10 Set/Crt.
650 mm	127900919	White	10 Set/Crt.
270 mm	127900931	Grey	10 Set/Crt.
300 mm	127900932	Grey	10 Set/Crt.
350 mm	127900933	Grey	10 Set/Crt.
400 mm	127900934	Grey	10 Set/Crt.
450 mm	127900935	Grey	10 Set/Crt.
500 mm	127900936	Grey	10 Set/Crt.
550 mm	127900937	Grey	10 Set/Crt.
600 mm	127900938	Grey	10 Set/Crt.
650 mm	127900939	Grey	10 Set/Crt.

2 Sheet Metal Side Panels H:112			
LENGTH	CODE	COLOR	PACKING
450 mm	127901015	White	10 Set/Crt.
500 mm	127901016	White	10 Set/Crt.
550 mm	127901017	White	10 Set/Crt.
600 mm	127901018	White	10 Set/Crt.
650 mm	127901019	White	10 Set/Crt.
270 mm	127901031	Grey	10 Set/Crt.
300 mm	127901032	Grey	10 Set/Crt.
350 mm	127901033	Grey	10 Set/Crt.
400 mm	127901034	Grey	10 Set/Crt.
450 mm	127901035	Grey	10 Set/Crt.
500 mm	127901036	Grey	10 Set/Crt.
550 mm	127901037	Grey	10 Set/Crt.
600 mm	127901038	Grey	10 Set/Crt.
650 mm	127901039	Grey	10 Set/Crt.

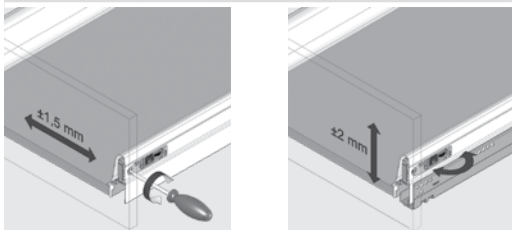
SMARTBOX

Drawer Assembly and Mounting

Drawer Assembly and Mounting

<p>1</p>	<p>2 Wooden Drawer Bottom</p>	<p>3 Wooden Backboard</p>	<p>4 Wooden Backboard Mounting</p>	<p>5 Mounting of Front Connecting Part</p>
<p>6 Front Panel Mounting</p>	<p>7 Wooden Drawer Floor Mounting</p>	<p>8 Decorative Cover Mounting</p>	<p>9 Slide Mounting to Cabinet</p>	<p>10 Drawer Mounting to Slide</p>
<p>11 Drawer Mounting to Slide</p>	<p>12 Removal of the drawer from the runner</p>	<p>13 Removal of Front Panel</p> <p>*For front panel removal push the red button as indicated on the picture.</p>	<p>14 Removal of Front Panel</p>	

Adjustment



Mounting of Wooden drawer Floor without using screws

<p>1 Wooden drawer floor stabilizes the front panel.</p>	<p>2 The Clamps have to be mounted as shown on the picture.</p>
---	--

Adjustment Mechanism

If the lock slots shut down due to a failure:

1. Press the red button as shown on the picture
2. Turn the screw driver as shown on the picture

Mounting Gallery Railing

<p>1 Mounting of Dowel</p>	<p>2 Mounting of Gallery Railing</p>	<p>3 Mounting of Gallery Railing Holders</p>	<p>4 Mounting of Gallery Railing</p>	<p>5 Mounting of Gallery Railing Decorative Cover</p>
---------------------------------------	---	---	---	--

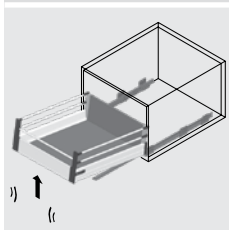
Easy Mounting Gallery Railing Group

<p>1 Dowelled Type Mounting</p>	<p>2 Screwed Type Mounting</p>	<p>3 Mounting of Gallery Railing</p>	<p>4 Mounting of Gallery Railing</p>	<p>5 Mounting of Gallery Railing</p>
--	---	---	---	---

Drawer Assembly and Mounting

<p>1</p>	<p>2 Wooden Drawer Bottom</p>	<p>3 Wooden Backboard</p>	<p>4 Wooden Backboard Mounting</p>	<p>5 Mounting of front connectors</p>
<p>6 Mounting of front connector group</p>	<p>7 Wooden Drawer Floor Mounting</p>	<p>8 Mounting of front panel stabilizer</p>	<p>9 Mounting of Gallery Railing Holders</p>	<p>10 Mounting of Gallery Railing</p>
<p>11 Mounting of Gallery Railing Decorative Cover</p>	<p>12 Decorative Cover Mounting</p>	<p>13 Cabinet</p>	<p>14 Mounting of the Drawer to the Cabinet</p>	<p>15</p>

Removal of Drawer



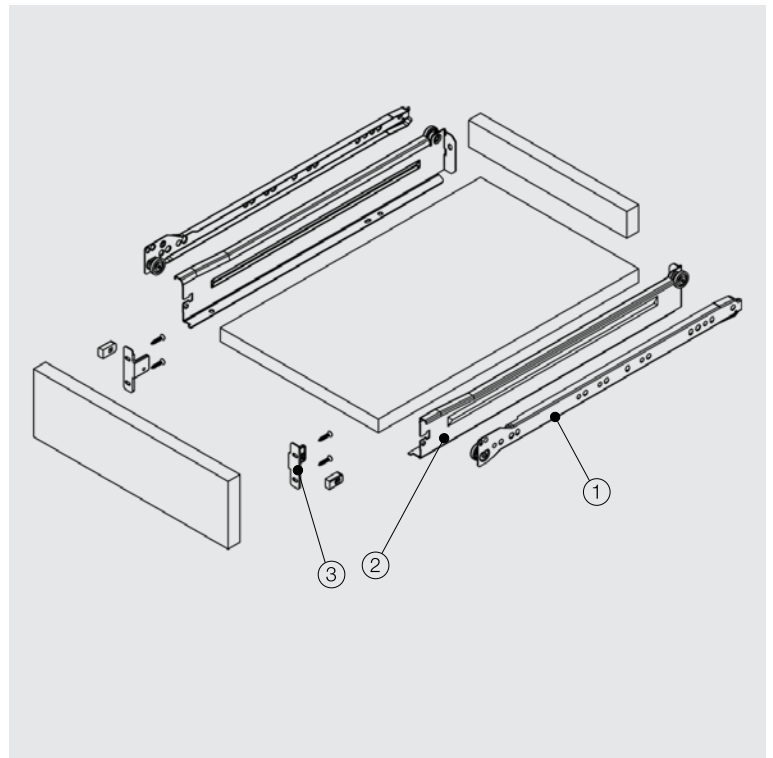
H:112 In-Box Side Panel

<p>1</p> <p>Crush the pieces as shown.</p>	<p>2 Side Panel Mounting</p>	<p>3 Side Panel Mounting</p>
---	---	---

Standard Drawer Sam Box 54



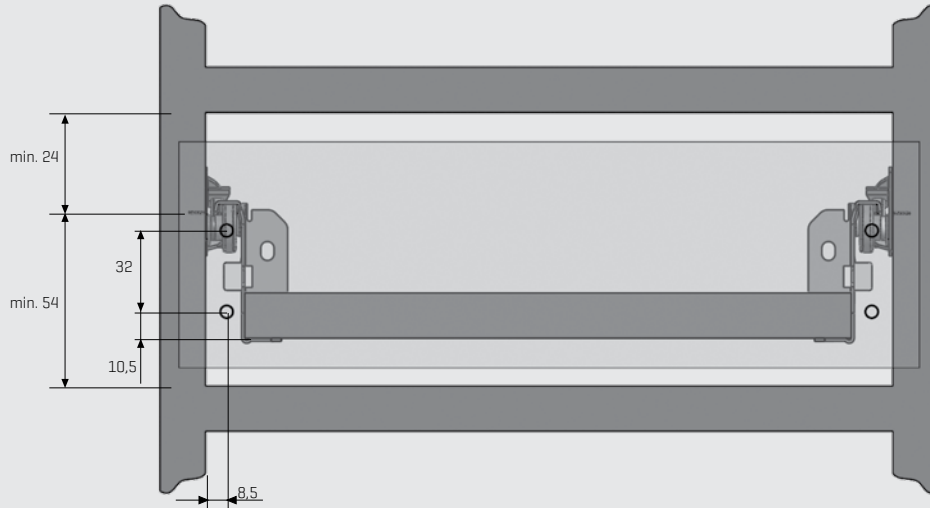
- Esthetic steel appearance
- Automatic closure system at a 70 mm opening length
- Drawer Length: 400/450/500/550 mm
- Finish: Electrostatic [White, Cream, Metallic and Grey]
- Silent running wheel system
- The improved stability guarantees a long product durability
- Dynamic load capacity: 25 kg
- Safety system to avoid derailing
- ±1,5 mm horizontal and ±1 mm vertical adjustment opportunity.



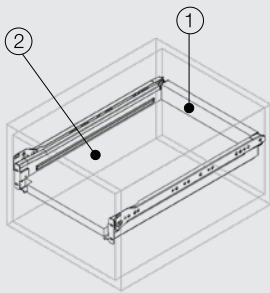
1-2		Drawer Set		
NOMINAL SIZE	CODE	MODEL	COLOR	PACKING
400 mm	1121041	Without Clamp	White	10 Set/Crt.
400 mm	1120041	With Clamp	White	10 Set/Crt.
400 mm	1121042	Without Clamp	Beige	10 Set/Crt.
400 mm	1120042	With Clamp	Beige	10 Set/Crt.
400 mm	1121043	Without Clamp	M. Grey	10 Set/Crt.
400 mm	1120043	With Clamp	M. Grey	10 Set/Crt.
450 mm	1121051	Without Clamp	White	10 Set/Crt.
450 mm	1120051	With Clamp	White	10 Set/Crt.
450 mm	1121052	Without Clamp	Beige	10 Set/Crt.
450 mm	1120052	With Clamp	Beige	10 Set/Crt.
450 mm	1121053	Without Clamp	M. Grey	10 Set/Crt.
450 mm	1120053	With Clamp	M. Grey	10 Set/Crt.
500 mm	1121061	Without Clamp	White	10 Set/Crt.
500 mm	1120061	With Clamp	White	10 Set/Crt.
500 mm	1121062	Without Clamp	Beige	10 Set/Crt.
500 mm	1120062	With Clamp	Beige	10 Set/Crt.
500 mm	1121063	Without Clamp	M. Grey	10 Set/Crt.
500 mm	1120063	With Clamp	M. Grey	10 Set/Crt.
550 mm	1121071	Without Clamp	White	10 Set/Crt.
550 mm	1120071	With Clamp	White	10 Set/Crt.
550 mm	1121072	Without Clamp	Beige	10 Set/Crt.
550 mm	1120072	With Clamp	Beige	10 Set/Crt.
550 mm	1121073	Without Clamp	M. Grey	10 Set/Crt.
550 mm	1120073	With Clamp	M. Grey	10 Set/Crt.

3		Connection Fitting		
MATERIAL	CODE	MODEL	COLOR	PACKING
Zinc	1121801	Countersunk	Nickel	50 Set/Box
Zinc	1121802	Ø8 mm	Nickel	50 Set/Box
Zinc	1121803	Ø10 mm	Nickel	50 Set/Box

Slide Mounting Dimensions



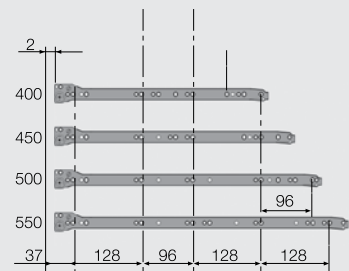
Formulas to Compute Dimensions



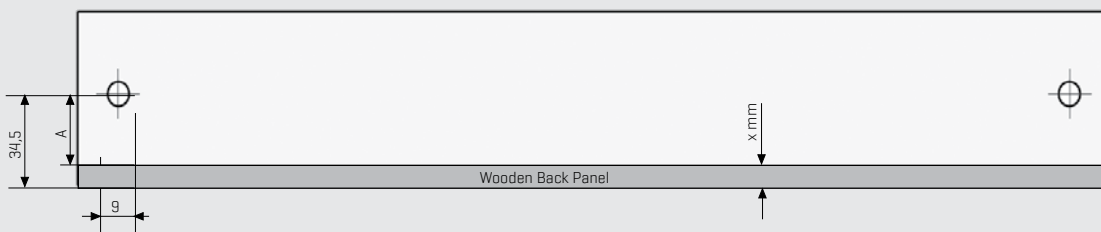
①
 Drawer Back Panel Width = Cabinet Internal Width - 31mm
 Drawer Back Panel Height = Minimum 39 mm
 (For 16 mm wooden bottom panel.)

②
 Drawer Wooden Floor Width = Cabinet Internal Width - 31 mm
 Drawer Wooden Floor Length = Side Length - 1 mm

Slide Screw Location



Wooden Backboard Application



* A = 34,5 - x mm

*All dimensions in the graphs above are measured in mm

Recommended Screws For Rail Assembly

Ø3,5x16 mm Chipboard Screw



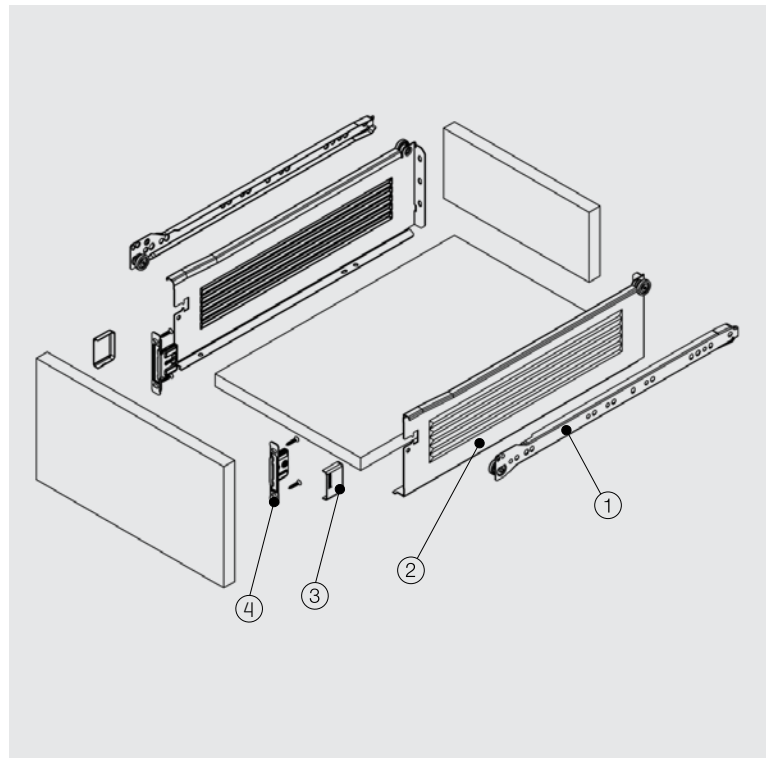
Ø6,1x11,5 mm Euro Screw



Standard Drawer Sam Box 86



- Esthetic steel appearance
- Automatic closure system at a 70 mm opening length
- Drawer Length: 400/450/500/550 mm
- Finish: Electrostatic (White, Cream, Metallic and Grey)
- Silent running wheel system
- The improved stability guarantees a long product durability
- Dynamic load capacity: 25 kg
- Safety system to avoid derailing
- Vertical and horizontal adjustment opportunity
- ±1,5 mm horizontal and ±1 mm vertical adjustment opportunity.



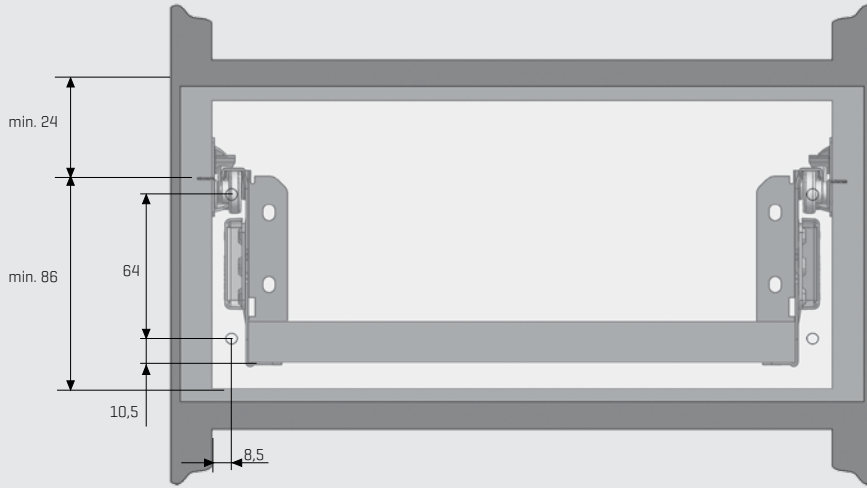
1-2		Drawer Set		
NOMINAL SIZE	CODE	MODEL	COLOR	PACKING
250 mm	1121111	Without Clamp	White	10 Set/Crt.
250 mm	1120111	With Clamp	White	10 Set/Crt.
250 mm	1121112	Without Clamp	Beige	10 Set/Crt.
250 mm	1120112	With Clamp	Beige	10 Set/Crt.
250 mm	1121113	Without Clamp	M. Grey	10 Set/Crt.
250 mm	1120113	With Clamp	M. Grey	10 Set/Crt.
300 mm	1121121	Without Clamp	White	10 Set/Crt.
300 mm	1120121	With Clamp	White	10 Set/Crt.
300 mm	1121122	Without Clamp	Beige	10 Set/Crt.
300 mm	1120122	With Clamp	Beige	10 Set/Crt.
300 mm	1121123	Without Clamp	M. Grey	10 Set/Crt.
300 mm	1120123	With Clamp	M. Grey	10 Set/Crt.
350 mm	1121131	Without Clamp	White	10 Set/Crt.
350 mm	1120131	With Clamp	White	10 Set/Crt.
350 mm	1121132	Without Clamp	Beige	10 Set/Crt.
350 mm	1120132	With Clamp	Beige	10 Set/Crt.
350 mm	1121133	Without Clamp	M. Grey	10 Set/Crt.
350 mm	1120133	With Clamp	M. Grey	10 Set/Crt.
400 mm	1121141	Without Clamp	White	10 Set/Crt.
400 mm	1120141	With Clamp	White	10 Set/Crt.
400 mm	1121142	Without Clamp	Beige	10 Set/Crt.
400 mm	1120142	With Clamp	Beige	10 Set/Crt.
400 mm	1121143	Without Clamp	M. Grey	10 Set/Crt.
400 mm	1120143	With Clamp	M. Grey	10 Set/Crt.

1-2		Drawer Set		
NOMINAL SIZE	CODE	MODEL	COLOR	PACKING
450 mm	1121151	Without Clamp	White	10 Set/Crt.
450 mm	1120151	With Clamp	White	10 Set/Crt.
450 mm	1121152	Without Clamp	Beige	10 Set/Crt.
450 mm	1120152	With Clamp	Beige	10 Set/Crt.
450 mm	1121153	Without Clamp	M. Grey	10 Set/Crt.
450 mm	1120153	With Clamp	M. Grey	10 Set/Crt.
500 mm	1121161	Without Clamp	White	10 Set/Crt.
500 mm	1120161	With Clamp	White	10 Set/Crt.
500 mm	1121162	Without Clamp	Beige	10 Set/Crt.
500 mm	1120162	With Clamp	Beige	10 Set/Crt.
500 mm	1121163	Without Clamp	M. Grey	10 Set/Crt.
500 mm	1120163	With Clamp	M. Grey	10 Set/Crt.
550 mm	1121171	Without Clamp	White	10 Set/Crt.
550 mm	1120171	With Clamp	White	10 Set/Crt.
550 mm	1121172	Without Clamp	Beige	10 Set/Crt.
550 mm	1120172	With Clamp	Beige	10 Set/Crt.
550 mm	1121173	Without Clamp	M. Grey	10 Set/Crt.
550 mm	1120173	With Clamp	M. Grey	10 Set/Crt.

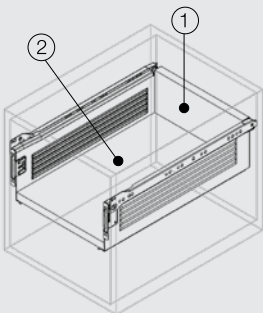
3		Decorative Cover	
MATERIAL	CODE	COLOR	PACKING
Plastic	1121821	White	200 Pcs/Box
Plastic	1121822	Beige	200 Pcs/Box
Plastic	1121823	M. Grey	200 Pcs/Box

4		Connection Fitting		
MATERIAL	CODE	MODEL	COLOR	PACKING
Steel	1121819	Countersunk	Nickel	200 Pcs/Box
Steel	1121812	Ø8 mm	Nickel	200 Pcs/Box
Steel	1121813	Ø10 mm	Nickel	200 Pcs/Box

Slide Mounting Dimensions



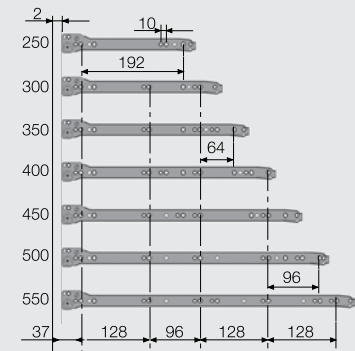
Formulas to Compute Dimensions



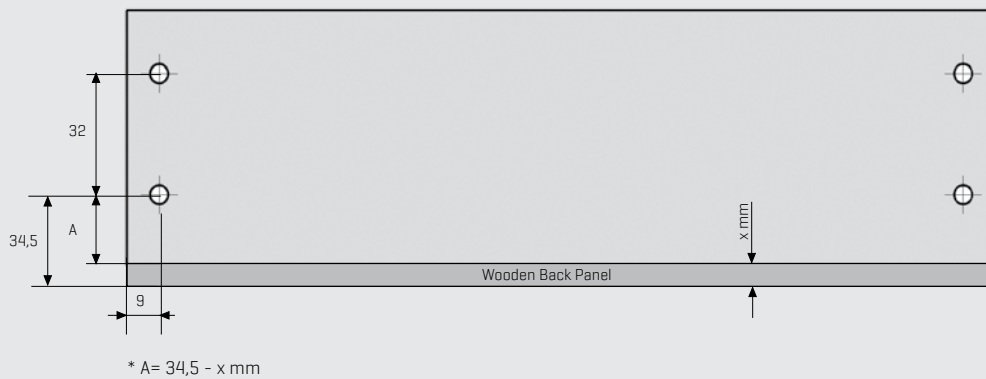
①
 Drawer Back Panel Width = Cabinet Internal Width - 31mm
 Drawer Back Panel Height = Minimum 71 mm
 (For 16 mm wooden bottom panel.)

②
 Drawer Wooden Floor Width = Cabinet Internal Width - 31 mm
 Drawer Wooden Floor Length = Side Length - 1 mm

Slide Screw Location



Wooden Back Panel Application



*All dimensions in the graphs above are measured in mm

Recommended Screws For Rail Assembly

Ø3,5x16 mm Chipboard Screw



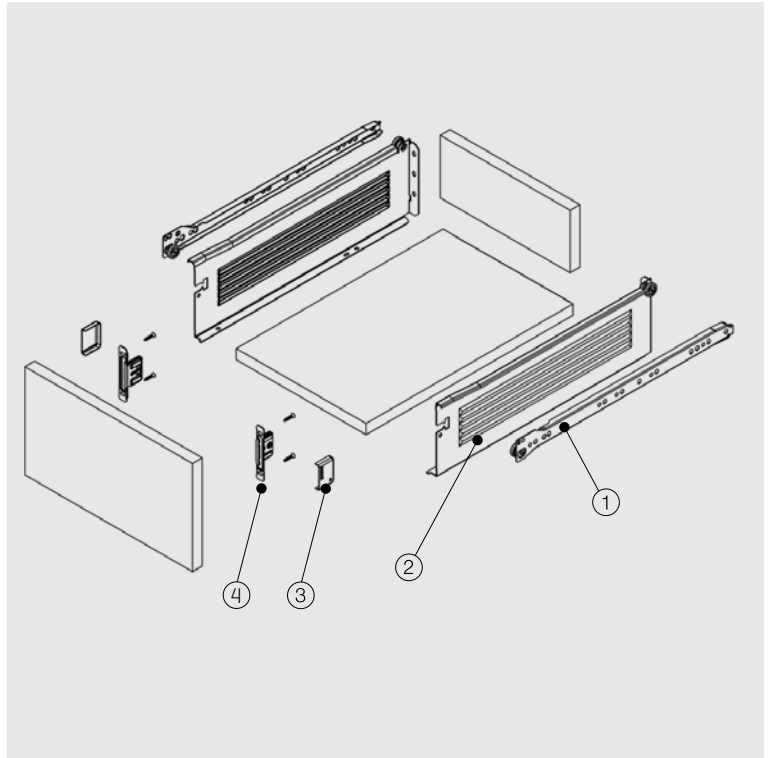
Ø6,1x11,5 mm Euro Screw



Standard Drawer Sam Box 118



- Esthetic steel appearance
- Automatic closure system at a 70 mm opening length
- Drawer Length: 400/450/500/550 mm
- Finish: Electrostatic (White, Cream, Metallic and Grey)
- Silent running wheel system
- The improved stability guarantees a long product durability
- Dynamic load capacity: 25 kg
- Safety system to avoid derailing
- Vertical and horizontal adjustment opportunity
- ±1,5 mm horizontal and ±1 mm vertical adjustment opportunity.



1-2 Drawer Set

NOMINAL SIZE	CODE	MODEL	COLOR	PACKING
300 mm	1121221	Without Clamp	White	5 Set/Crt.
300 mm	1120221	With Clamp	White	5 Set/Crt.
300 mm	1121222	Without Clamp	Beige	5 Set/Crt.
300 mm	1120222	With Clamp	Beige	5 Set/Crt.
300 mm	1121223	Without Clamp	M. Grey	5 Set/Crt.
300 mm	1120223	With Clamp	M. Grey	5 Set/Crt.
350 mm	1121231	Without Clamp	White	5 Set/Crt.
350 mm	1120231	With Clamp	White	5 Set/Crt.
350 mm	1121232	Without Clamp	Beige	5 Set/Crt.
350 mm	1120232	With Clamp	Beige	5 Set/Crt.
350 mm	1121233	Without Clamp	M. Grey	5 Set/Crt.
350 mm	1120233	With Clamp	M. Grey	5 Set/Crt.
400 mm	1121241	Without Clamp	White	5 Set/Crt.
400 mm	1120241	With Clamp	White	5 Set/Crt.
400 mm	1121242	Without Clamp	Beige	5 Set/Crt.
400 mm	1120242	With Clamp	Beige	5 Set/Crt.
400 mm	1121243	Without Clamp	M. Grey	5 Set/Crt.
400 mm	1120243	With Clamp	M. Grey	5 Set/Crt.

1-2 Drawer Set

NOMINAL SIZE	CODE	MODEL	COLOR	PACKING
450 mm	1121251	Without Clamp	White	5 Set/Crt.
450 mm	1120251	With Clamp	White	5 Set/Crt.
450 mm	1121252	Without Clamp	Beige	5 Set/Crt.
450 mm	1120252	With Clamp	Beige	5 Set/Crt.
450 mm	1121253	Without Clamp	M. Grey	5 Set/Crt.
450 mm	1120253	With Clamp	M. Grey	5 Set/Crt.
500 mm	1121261	Without Clamp	White	5 Set/Crt.
500 mm	1120261	With Clamp	White	5 Set/Crt.
500 mm	1121262	Without Clamp	Beige	5 Set/Crt.
500 mm	1120262	With Clamp	Beige	5 Set/Crt.
500 mm	1121263	Without Clamp	M. Grey	5 Set/Crt.
500 mm	1120263	With Clamp	M. Grey	5 Set/Crt.
550 mm	1121271	Without Clamp	White	5 Set/Crt.
550 mm	1120271	With Clamp	White	5 Set/Crt.
550 mm	1121272	Without Clamp	Beige	5 Set/Crt.
550 mm	1120272	With Clamp	Beige	5 Set/Crt.
550 mm	1121273	Without Clamp	M. Grey	5 Set/Crt.
550 mm	1120273	With Clamp	M. Grey	5 Set/Crt.

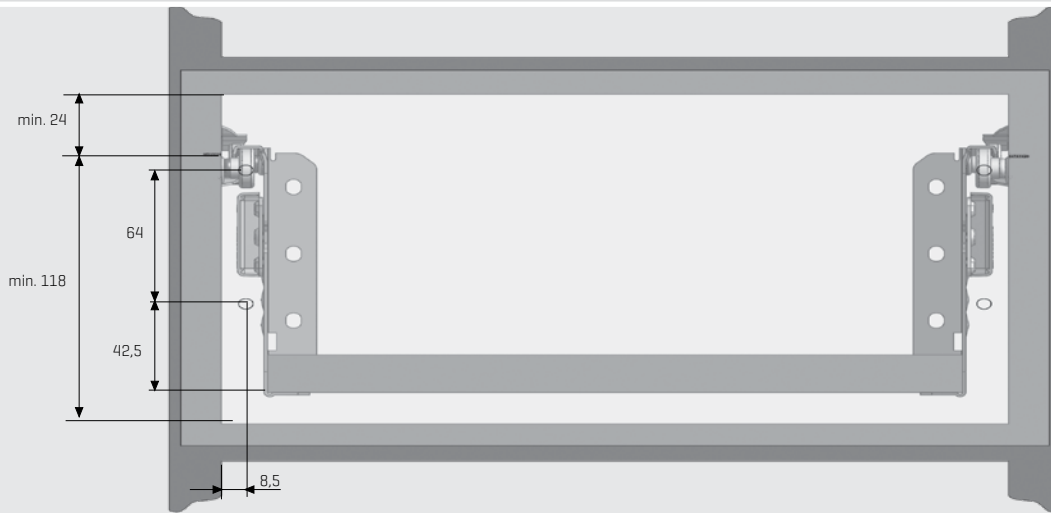
3 Decorative Cover

MATERIAL	CODE	COLOR	PACKING
Plastic	1121821	White	200 Pcs/Box
Plastic	1121822	Beige	200 Pcs/Box
Plastic	1121823	M. Grey	200 Pcs/Box

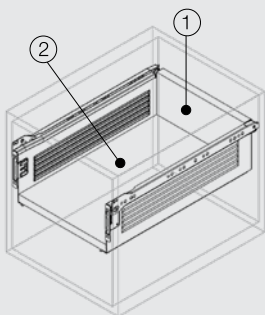
4 Connection Fitting

MATERIAL	CODE	MODEL	COLOR	PACKING
Steel	1121819	Countersunk	Nickel	200 Pcs/Box
Steel	1121812	Ø8 mm	Nickel	200 Pcs/Box
Steel	1121813	Ø10 mm	Nickel	200 Pcs/Box

Slide Mounting Dimensions

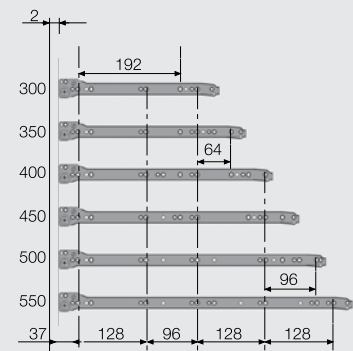


Formulas to Compute Dimensions

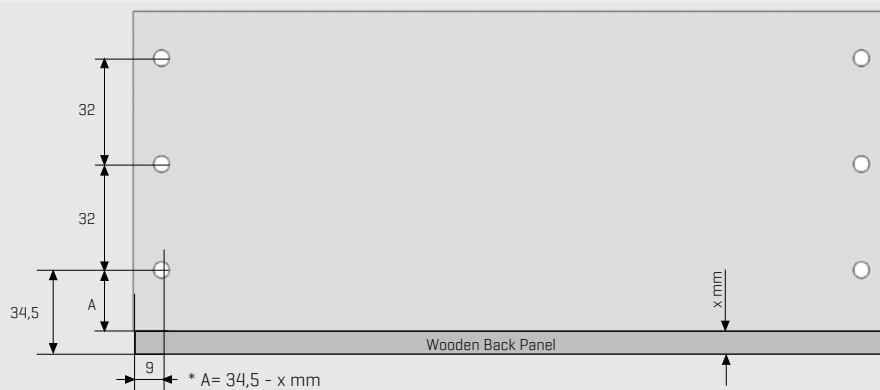


- ①
Drawer Back Panel Width = Cabinet Internal Width - 31mm
Drawer Back Panel Height = Minimum 103 mm
(For 16 mm wooden bottom panel.)
- ②
Drawer Wooden Floor Width = Cabinet Internal Width - 31 mm
Drawer Wooden Floor Length = Side Length - 1 mm

Slide Screw Location



Wooden Back Panel Application



*All dimensions in the graphs above are measured in mm

Recommended Screws For Rail Assembly

Ø3,5x16 mm Chipboard Screw



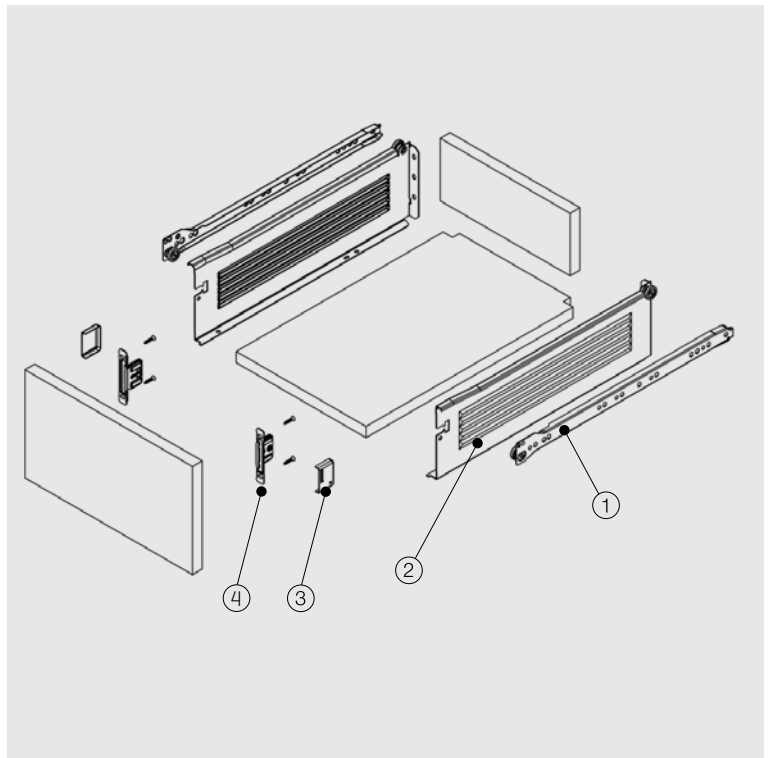
Ø6,1x11,5 mm Euro Screw



Standard Drawer Sam Box 150



- Esthetic steel appearance
- Automatic closure system at a 70 mm opening length
- Drawer Length: 400/450/500/550 mm
- Finish: Electrostatic [White, Cream, Metallic and Grey]
- Silent running wheel system
- The improved stability guarantees a long product durability
- Dynamic load capacity: 25 kg
- Safety system to avoid derailing
- Vertical and horizontal adjustment opportunity
- ±1,5 mm horizontal and ±1 mm vertical adjustment opportunity.



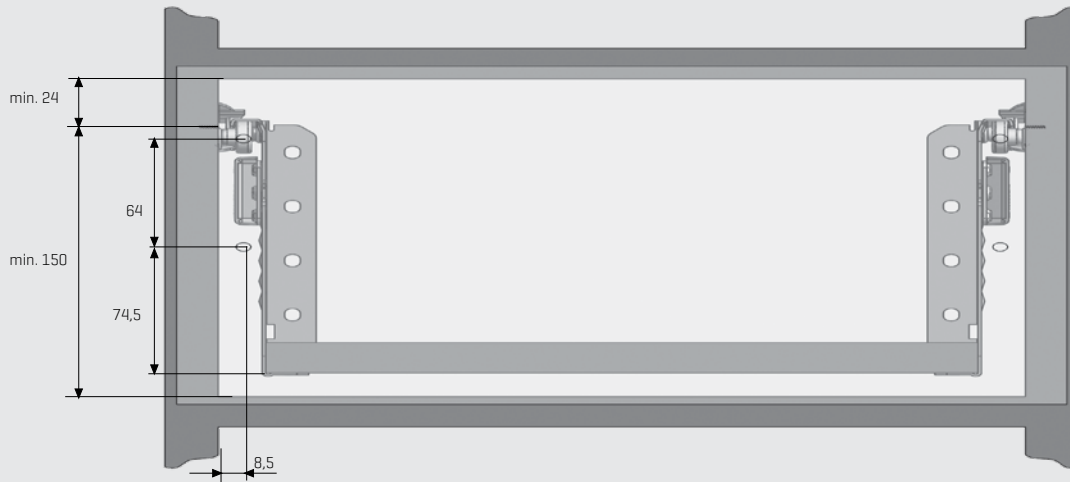
1-2		Drawer Set		
NOMINAL SIZE	CODE	MODEL	COLOR	PACKING
300 mm	1121321	Without Clamp	White	5 Set/Crt.
300 mm	1120321	With Clamp	White	5 Set/Crt.
300 mm	1121322	Without Clamp	Beige	5 Set/Crt.
300 mm	1120322	With Clamp	Beige	5 Set/Crt.
300 mm	1121323	Without Clamp	M. Grey	5 Set/Crt.
300 mm	1120323	With Clamp	M. Grey	5 Set/Crt.
350 mm	1121331	Without Clamp	White	5 Set/Crt.
350 mm	1120331	With Clamp	White	5 Set/Crt.
350 mm	1121332	Without Clamp	Beige	5 Set/Crt.
350 mm	1120332	With Clamp	Beige	5 Set/Crt.
350 mm	1121333	Without Clamp	M. Grey	5 Set/Crt.
350 mm	1120333	With Clamp	M. Grey	5 Set/Crt.
400 mm	1121341	Without Clamp	White	5 Set/Crt.
400 mm	1120341	With Clamp	White	5 Set/Crt.
400 mm	1121342	Without Clamp	Beige	5 Set/Crt.
400 mm	1120342	With Clamp	Beige	5 Set/Crt.
400 mm	1121343	Without Clamp	M. Grey	5 Set/Crt.
400 mm	1120343	With Clamp	M. Grey	5 Set/Crt.

1-2		Drawer Set		
NOMINAL SIZE	CODE	MODEL	COLOR	PACKING
450 mm	1121351	Without Clamp	White	5 Set/Crt.
450 mm	1120351	With Clamp	White	5 Set/Crt.
450 mm	1121352	Without Clamp	Beige	5 Set/Crt.
450 mm	1120352	With Clamp	Beige	5 Set/Crt.
450 mm	1121353	Without Clamp	M. Grey	5 Set/Crt.
450 mm	1120353	With Clamp	M. Grey	5 Set/Crt.
500 mm	1121361	Without Clamp	White	5 Set/Crt.
500 mm	1120361	With Clamp	White	5 Set/Crt.
500 mm	1121362	Without Clamp	Beige	5 Set/Crt.
500 mm	1120362	With Clamp	Beige	5 Set/Crt.
500 mm	1121363	Without Clamp	M. Grey	5 Set/Crt.
500 mm	1120363	With Clamp	M. Grey	5 Set/Crt.
550 mm	1121371	Without Clamp	White	5 Set/Crt.
550 mm	1120371	With Clamp	White	5 Set/Crt.
550 mm	1121372	Without Clamp	Beige	5 Set/Crt.
550 mm	1120372	With Clamp	Beige	5 Set/Crt.
550 mm	1121373	Without Clamp	M. Grey	5 Set/Crt.
550 mm	1120373	With Clamp	M. Grey	5 Set/Crt.

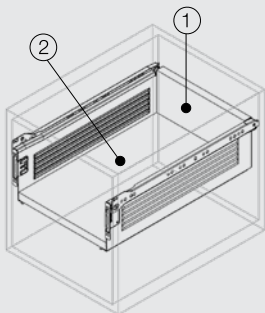
3		Decorative Cover	
MATERIAL	CODE	COLOR	PACKING
Plastic	1121821	White	200 Pcs/Box
Plastic	1121822	Beige	200 Pcs/Box
Plastic	1121823	M. Grey	200 Pcs/Box

4		Connection Fitting		
MATERIAL	CODE	MODEL	COLOR	PACKING
Steel	1121819	Countersunk	Nickel	200 Pcs/Box
Steel	1121812	Ø8 mm	Nickel	200 Pcs/Box
Steel	1121813	Ø10 mm	Nickel	200 Pcs/Box

Slide Mounting Dimensions

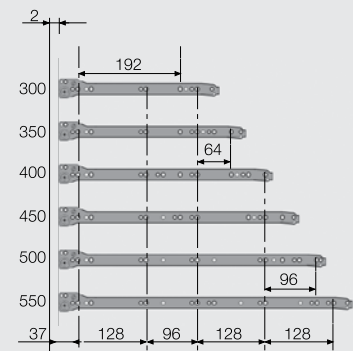


Formulas to Compute Dimensions

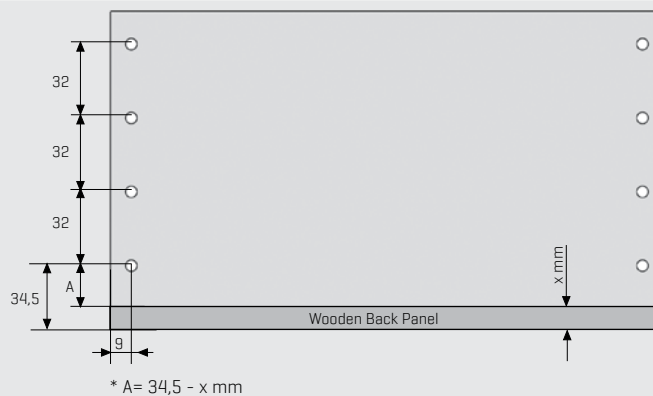


- ①
Drawer Back Panel Width = Cabinet Internal Width - 31mm
Drawer Back Panel Height = Minimum 135 mm
(For 16 mm wooden bottom panel.)
- ②
Drawer Wooden Floor Width = Cabinet Internal Width - 31 mm
Drawer Wooden Floor Length = Side Length - 1 mm

Slide Screw Location



Wooden Back Panel Application



*All dimensions in the graphs above are measured in mm

Recommended Screws For Rail Assembly

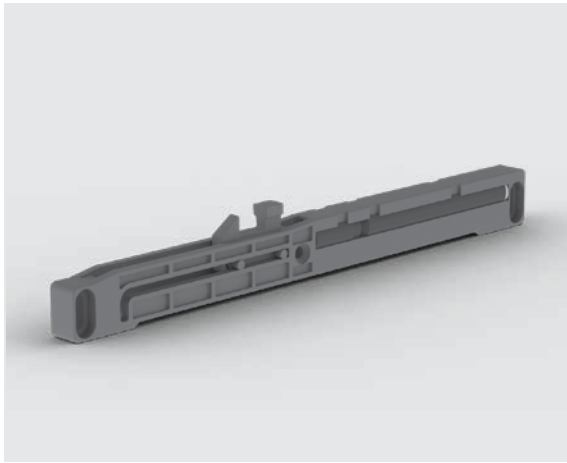
Ø3,5x16 mm Chipboard Screw



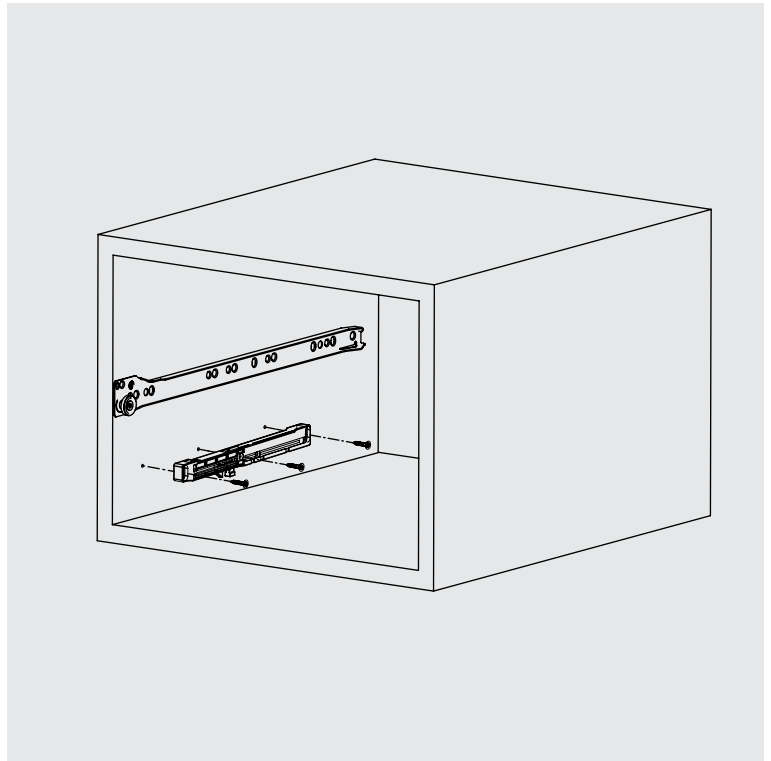
Ø6,1x11,5 mm Euro Screw



Drawer Soft Close Mechanism



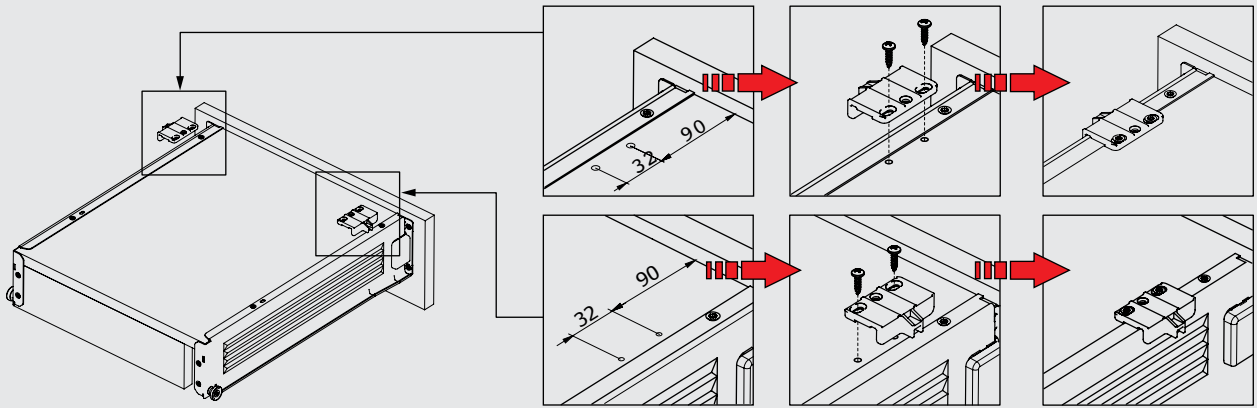
- It is used to add soft closing function to Sam Box drawers.
- Same product can be used at right and left sides.
- It is advised to use two products for each drawer.



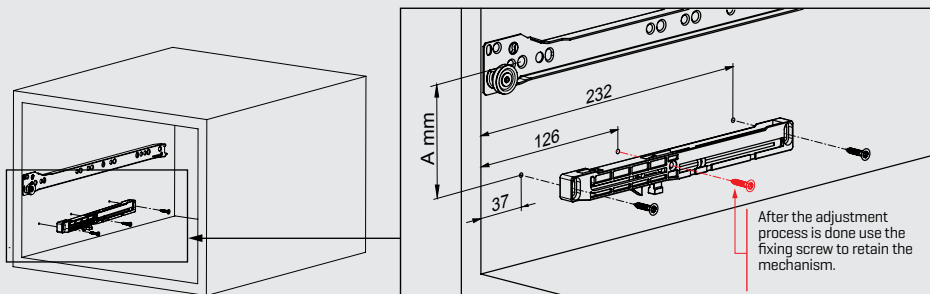
Soft Close Mechanism

CODE	PACKING
1121804	20 Pcs

Drive Part Assembly



Soft Close Mechanism Assembly

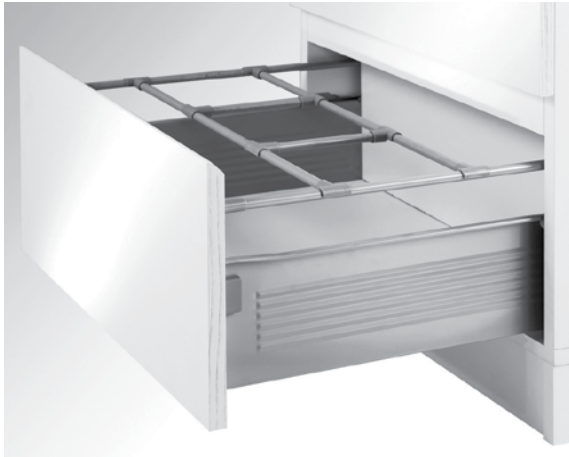


DRAWER HEIGHT	FITTING PINS a (mm)
54	26
86	58
118	90
150	122

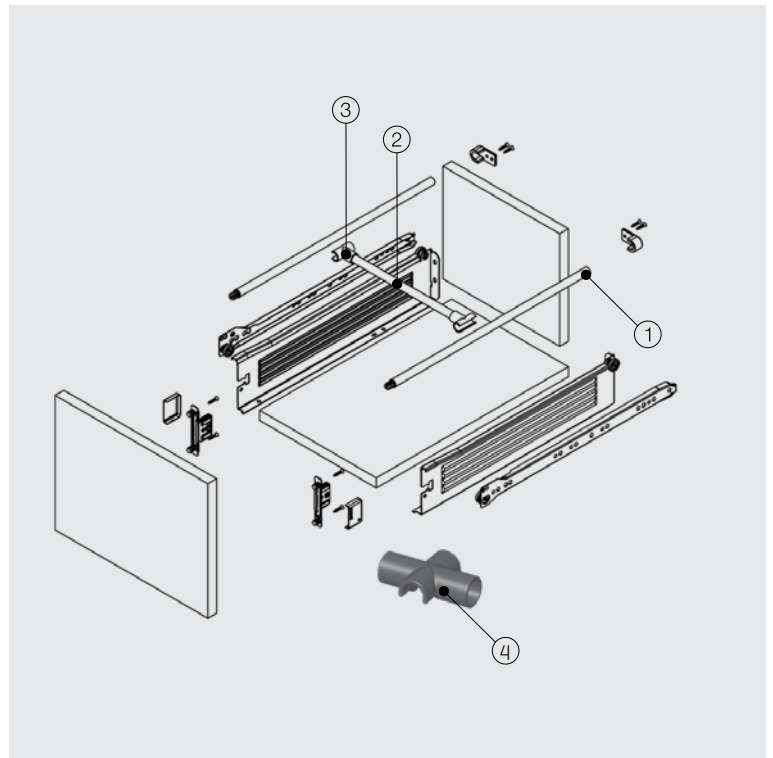
*All dimensions in the graphs above are measured in mm

smart slide - sam box

Gallery Railing Profiles



- 8 Different sizes and 3 different color versions for dimensions between 250 mm and 600 mm
- The front panel can easily be assembled and adjusted
- The internal space can be divided as needed
- The internal space dividers are tool free adjustable
- Usable with Sam Box metal and Smart Slide



1 Smart Slide - Sam Box Borders

NOMINAL SIZE	CODE White	CODE Beige	CODE Metallic Grey	PACKING
250 mm	127908111	127908112	127908113	20 Set
300 mm	127908121	127908122	127908123	20 Set
350 mm	127908131	127908132	127908133	20 Set
400 mm	127908141	127908142	127908143	20 Set
450 mm	127908151	127908152	127908153	20 Set
500 mm	127908161	127908162	127908163	20 Set
550 mm	127908171	127908172	127908173	20 Set
600 mm	127908181	127908182	127908183	20 Set

2 Smart Slide - Sam Box Borders Divider Bar (1104 mm)

COLOR	CODE	PACKING
White	1121981	10 Pcs /Crt.
Beige	1121982	10 Pcs /Crt.
Metallic Grey	1121983	10 Pcs /Crt.

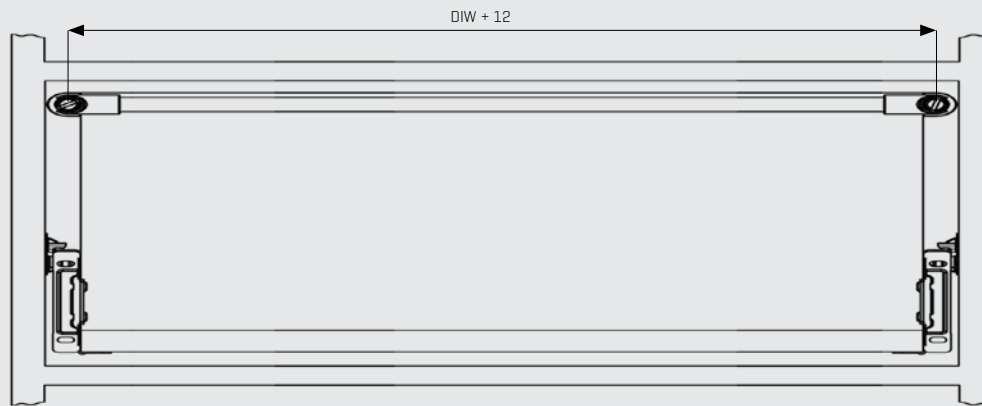
3 Smart Slide - Sam Box Borders Adjustable Gallery Railing with Single Adapter

COLOR	CODE	PACKING
White	1121991	50 Pcs -Box / 200 Pcs-Crt.
Beige	1121992	50 Pcs -Box / 200 Pcs-Crt.
Grey	1121993	50 Pcs -Box / 200 Pcs-Crt.

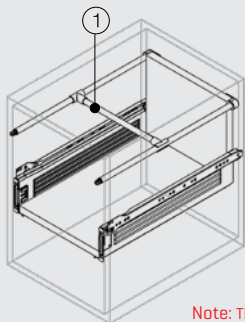
4 Smart Slide - Sam Box Borders Adjustable Gallery Railing with Double Adapter

COLOR	CODE	PACKING
White	11219911	50 Pcs -Box / 200 Pcs-Crt.
Beige	11219921	50 Pcs -Box / 200 Pcs-Crt.
Grey	11219931	50 Pcs -Box / 200 Pcs-Crt.

Slide Mounting Dimensions



Formulas to Compute Dimensions



① Adjustable Gallery Railing = Cabinet Internal Width - 12

Note: These dimensions can be used for all drawers with wooden cases.

Recommended Screws For Rail Assembly

Ø3,5x16 mm Chipboard Screw



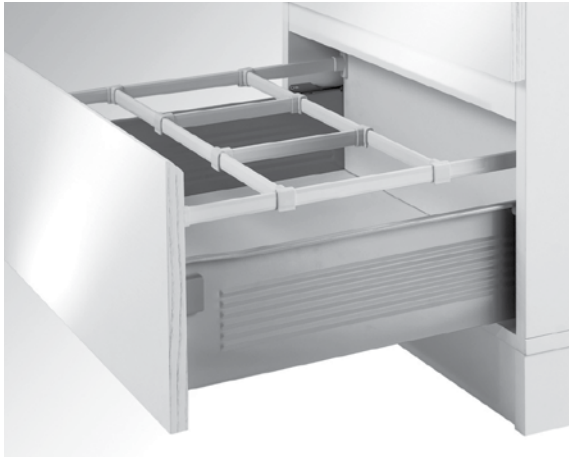
Ø6,1x11,5 mm Euro Screw



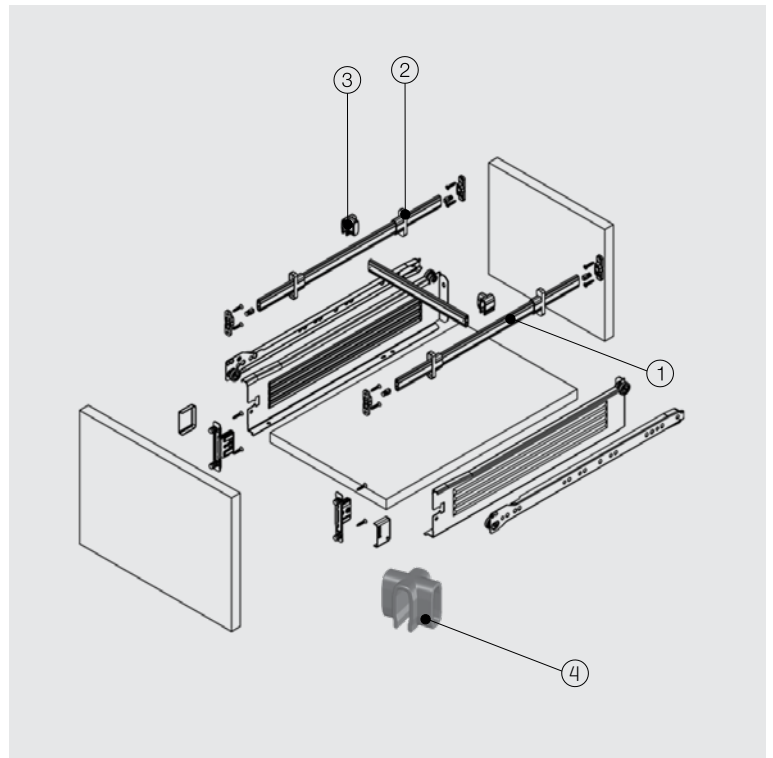
*All dimensions in the graphs above are measured in mm

smart slide - sam box

Folder Suspender



- 8 Different sizes and 3 different color versions for dimensions between 250 mm and 600 mm
- The front panel can easily be assembled and adjusted
- The internal space can be divided as needed
- The internal space dividers are tool free adjustable
- Usable with Sam Box metal and Smart Slide



1 Smart Slide - Sam Box Folder Suspender

NOMINAL SIZE	CODE White	CODE Beige	CODE Metallic Grey	PACKING
250 mm	1121701	1121702	1121703	10 Set
300 mm	1121711	1121712	1121713	10 Set
350 mm	1121721	1121722	1121723	10 Set
400 mm	1121731	1121732	1121733	10 Set
450 mm	1121741	1121742	1121743	10 Set
500 mm	1121751	1121752	1121753	10 Set
550 mm	1121761	1121762	1121763	10 Set
600 mm	1121771	1121772	1121773	10 Set

2 Smart Slide - Sam Box Suspender Side Profile [1104 mm]

COLOR	CODE	PACKING
White	1121781	10 Pcs /Crt.
Beige	1121782	10 Pcs /Crt.
Metallic Grey	1121783	10 Pcs /Crt.

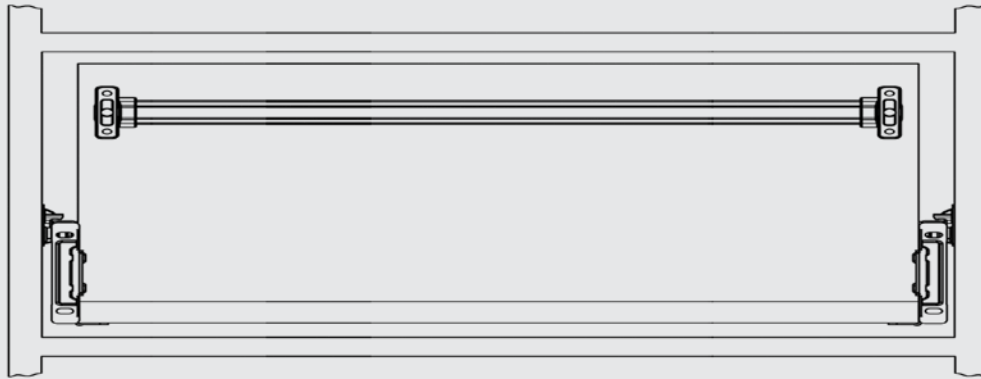
3 Smart Slide - Sam Box Folder Suspender Side Single Adapter

COLOR	CODE	PACKING
White	1121791	50 Pcs -Box / 200 Pcs-Crt.
Beige	1121792	50 Pcs -Box / 200 Pcs-Crt.
Grey	1121793	50 Pcs -Box / 200 Pcs-Crt.

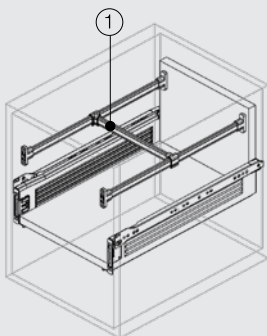
4 Smart Slide - Sam Box Folder Suspender Side Double Adapter

COLOR	CODE	PACKING
White	11217911	50 Pcs -Box / 200 Pcs-Crt.
Beige	11217921	50 Pcs -Box / 200 Pcs-Crt.
Grey	11217931	50 Pcs -Box / 200 Pcs-Crt.

Slide Mounting Dimensions



Assembly Application



Recommended Screws For Rail Assembly

Ø3,5x16 mm Chipboard Screw



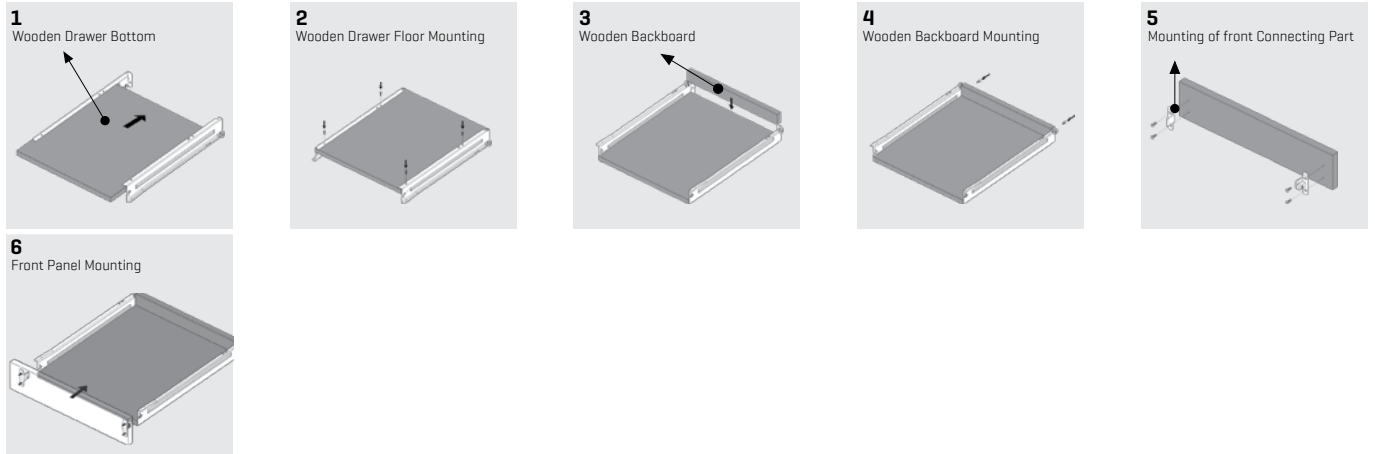
Ø6,1x11,5 mm Euro Screw



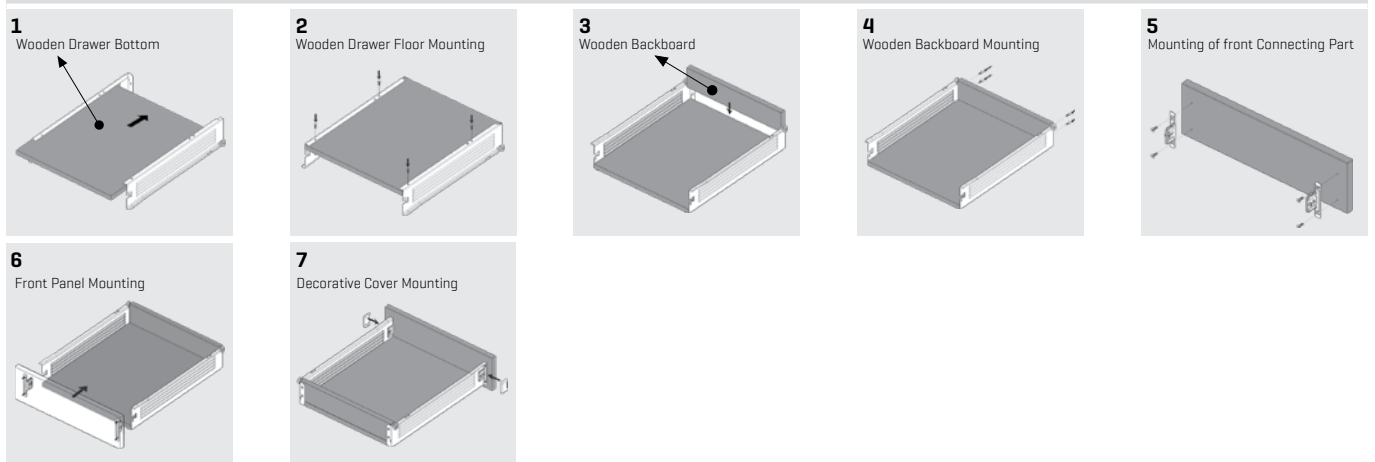
*All dimensions in the graphs above are measured in mm

Mounting of Standard Sam Box Drawer

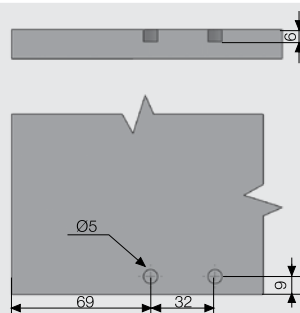
Mounting of Standard Sam Box 54 Drawer



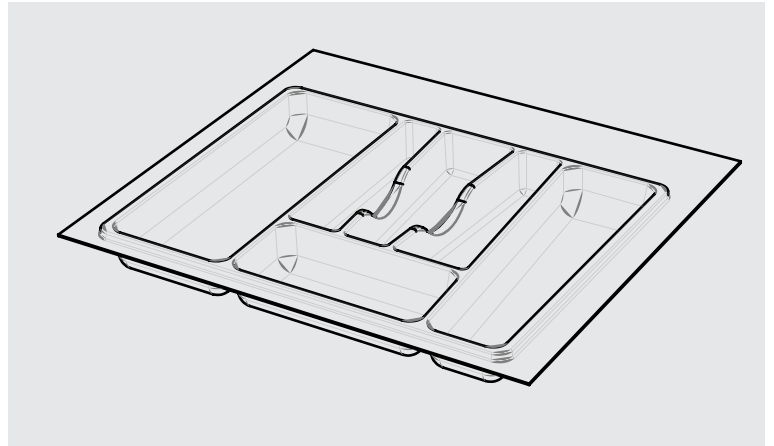
Mounting of Standard Sam Box 86-118-150 Drawer



Bottom Panel Application [Valid for clamp version.]

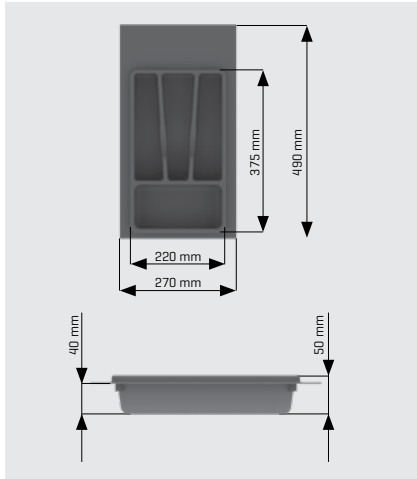


Plastic Cutlery

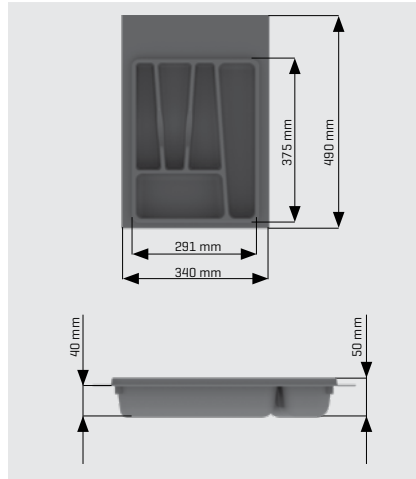


- Different size options.
- Changeable width and length measurement by cuttable edge material.
- White and grey color options.

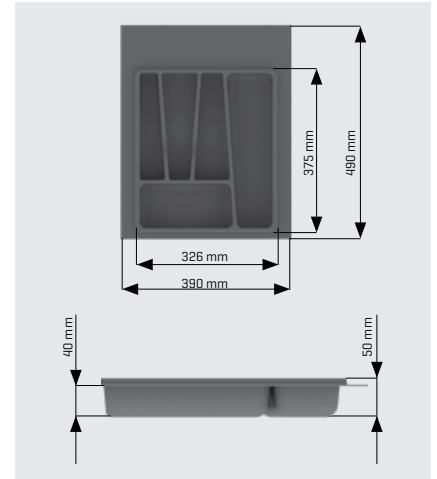
Cutlery 270x490 mm		
COLOUR	CODE	PACKING
White	11410011	1 Pcs
M. Grey	11410013	1 Pcs



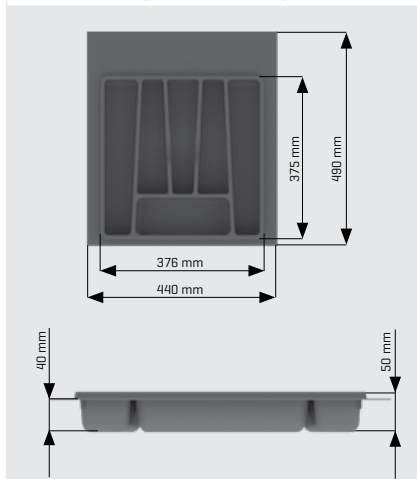
Cutlery 340x490 mm		
COLOUR	CODE	PACKING
White	11410021	1 Pcs
M. Grey	11410023	1 Pcs



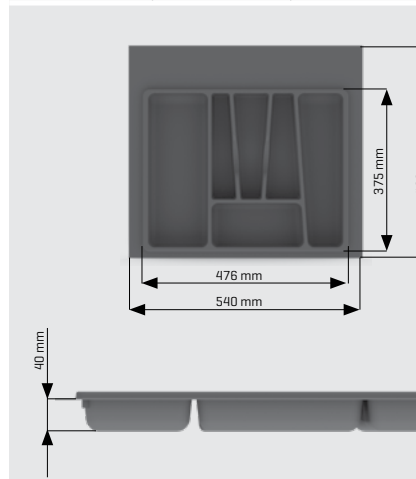
Cutlery 390x490 mm		
COLOUR	CODE	PACKING
White	11410031	1 Pcs
M. Grey	11410033	1 Pcs



Cutlery 440x490 mm		
COLOUR	CODE	PACKING
White	11410041	1 Pcs
M. Grey	11410043	1 Pcs



Cutlery 540x490 mm		
COLOUR	CODE	PACKING
White	11410051	1 Pcs
M. Grey	11410053	1 Pcs



Simply Perfect Completely Nature...

SAMET Lift Systems bring you a perfect harmony and flawless silence thanks to its modern lines exclusive colors and fully mechanical structure.



Read the QR code to learn more
about lift-up door systems.

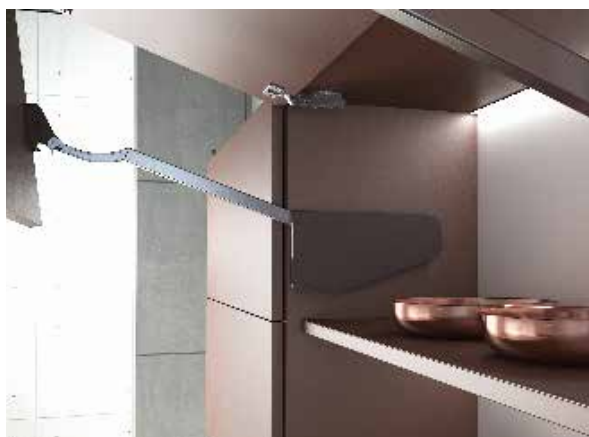


Install a QR code reader for your operating system. Then start the QR code reader and keep your smartphone or tablet approximately 20 cm above the QR code.



Multi Mech

Mechanical Double Lift-Up Door System



Multi Mech

- Fully mechanical and robust mechanism
- Maximum space in cabinets
- Gradually opening
- Holds in any position
- Silence and soft closing
- 5 different color options for various furniture design
- Finger pinch protection
- 3 different power options for different door weight
- Wood or aluminum glass door options
- Easy assembly
- Integrated 90/110 degree door opening adjustment
- Soft closing adjustment
- Power adjustment

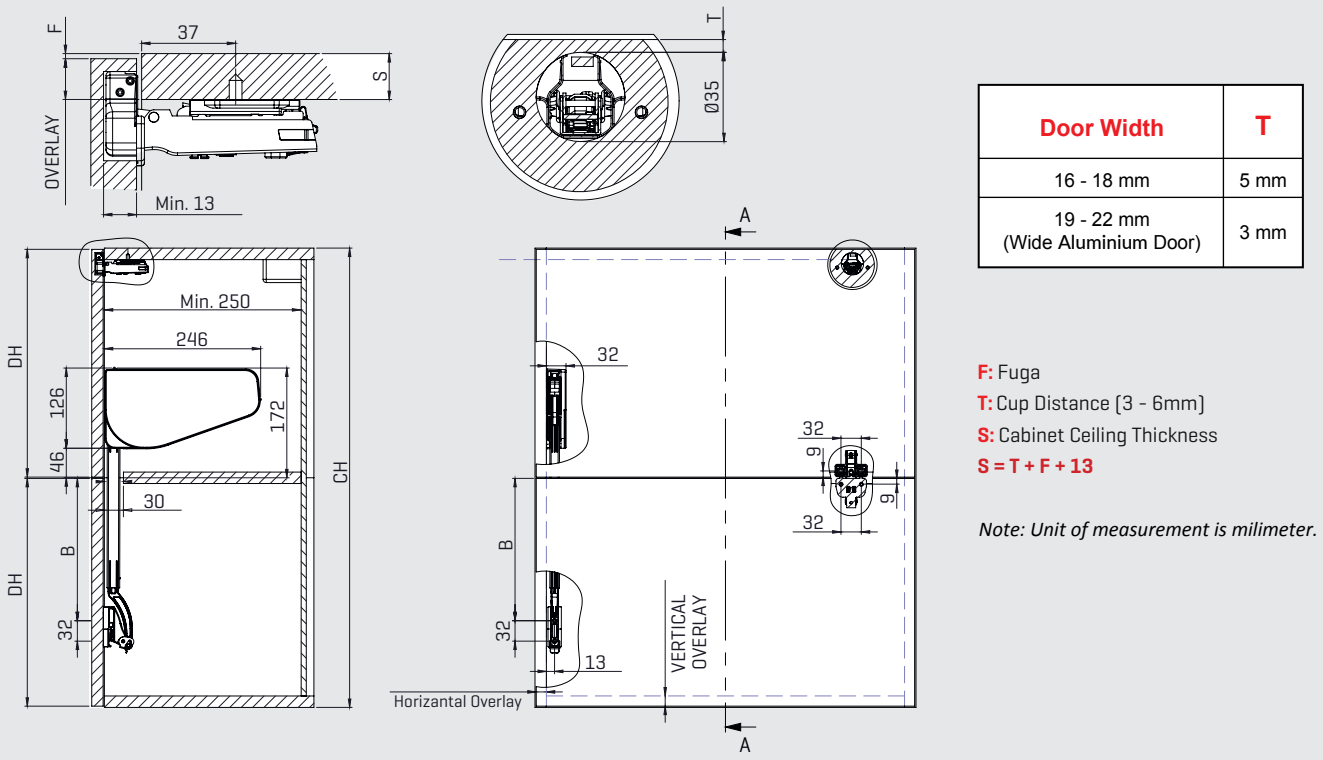
Multi-Mech Wholesale Package				++	COLOR
CODE	DESCRIPTION	POWER	PACKAGE	01	White
124081610001++	Teleskopik Arm 145 mm	A1	1 Set/ Box	03	Grey
124082610001++	Teleskopik Arm 195 mm	A1	1 Set/ Box	05	Black
124085610001++	Teleskopik Arm 237 mm	A1	1 Set/ Box	06	Mocha
124084610001++	Teleskopik Arm 345 mm	A1	1 Set/ Box	07	Anthracite
124081710001++	Teleskopik Arm 145 mm	B1	1 Set/ Box		
124082710001++	Teleskopik Arm 195 mm	B1	1 Set/ Box		
124085710001++	Teleskopik Arm 237 mm	B1	1 Set/ Box		
124084710001++	Teleskopik Arm 345 mm	B1	1 Set/ Box		
124081810001++	Teleskopik Arm 145 mm	C1	1 Set/ Box		
124082810001++	Teleskopik Arm 195 mm	C1	1 Set/ Box		
124085810001++	Teleskopik Arm 237 mm	C1	1 Set/ Box		
124084810001++	Teleskopik Arm 345 mm	C1	1 Set/ Box		

Multi-Mech Industrial Package

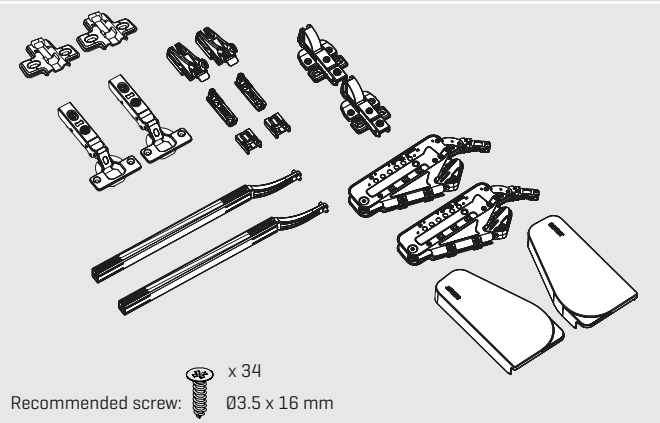
Mechanism		Decorative Cover		*	SIDE	+	COLOR
CODE	DESCRIPTION	CODE	DESCRIPTION	2	Right	1	White
124086*000+	Mechanism Power A1	124089*0010+	Decorative Cover	3	Left	3	Grey
124087*000+	Mechanism Power B1					5	Black
124088*000+	Mechanism Power C1					6	Mocha
						7	Anthracite

Teleskopik Arm		Upper and Middle Hinge		Aluminum Adaptor	
CODE	DESCRIPTION	CODE	DESCRIPTION	CODE	DESCRIPTION
124080145	Teleskopik Arm Length 145	1019730	Upper Hinge and Mounting Plate 120°	1249910	Aluminum Frame Adaptor
124080195	Teleskopik Arm Length 195	1249937	Middle Hinge		
124080237	Teleskopik Arm Length 237				
124080345	Teleskopik Arm Length 345				

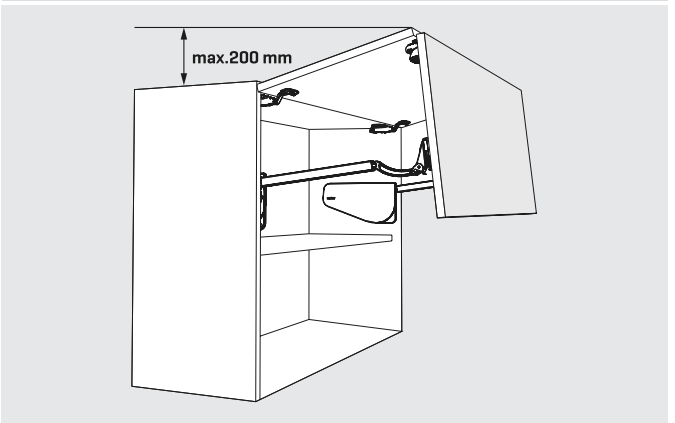
Technical Dimensions



Parts



Space Requirement



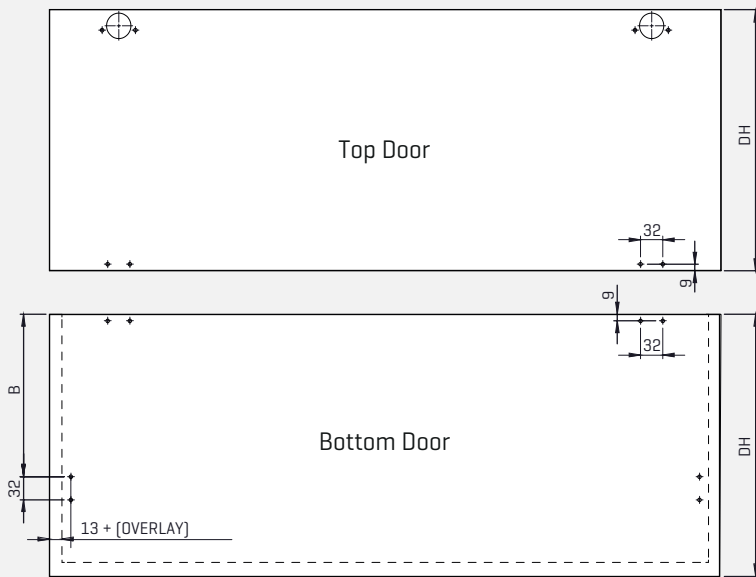
Product Selection Table

Cabinet Height (mm)	Loading Capacity - Two Door Total Weight (Gr.)*					
	Light Load [A1]		Medium Load [B1]		Heavy Load [C1]	
	min.	max.	min.	max.	min.	max.
1001-1040	2300	5000	5000	9000	9000	14500
901-1000	2400	5500	5500	9500	9500	15000
861-900	2500	6000	6000	11000	11000	17000
801-860	2600	6500	6500	11500	11500	18000
761-800	2800	7200	7200	12500	12500	19000
721-760	2900	7500	7500	13000	13000	19500
701-720	3200	8000	8000	14000	14000	21000
651-700	3500	8500	8500	14500	14500	21500
601-650	4000	9000	9000	16000	16000	24000
561-600	4500	10000	10000	17000	17000	25000
501-560	5000	10500	10500	17500	17500	27000
480-500	5500	11500	11500	20000	20000	29000

Cabinet Height (mm)	Arm Length (mm)
860 - 1040	345
700 - 859	237
600 - 699	195
480 - 599	145

*Handle weight is included as 100 gr.

Door Dimensions



Single Shelf Application	
Cabinet Height (mm)	B Distance (mm)
1040	383
1000	366
900	310
860	302
800	258
760	242
720	218
700	210
650	185
600	160
560	143
500	112
480	105

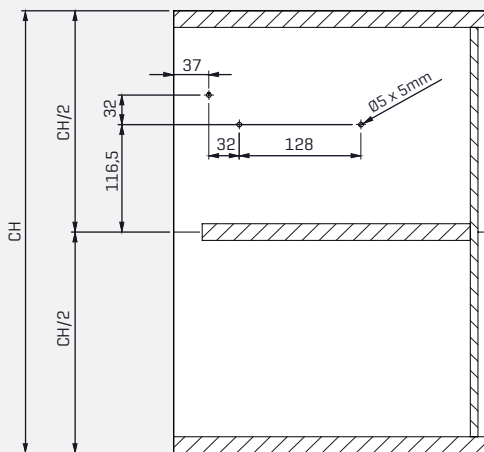
Symmetric Double Shelf Application	
Cabinet Height (mm)	B Distance (mm)
900	361
800	310
720	282

Note:
For the cabinet height which is not specified in the table, installation can be done by using the information that is stated in the upper row of the closest dimension to your cabinet height.

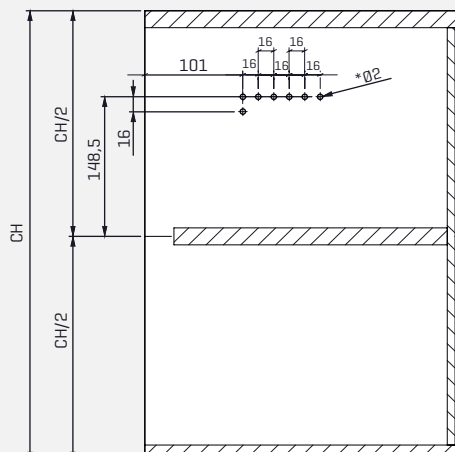
DH: Door Height

Cabinet Dimensions

Single Shelf Wooden And Aluminum Door Applications

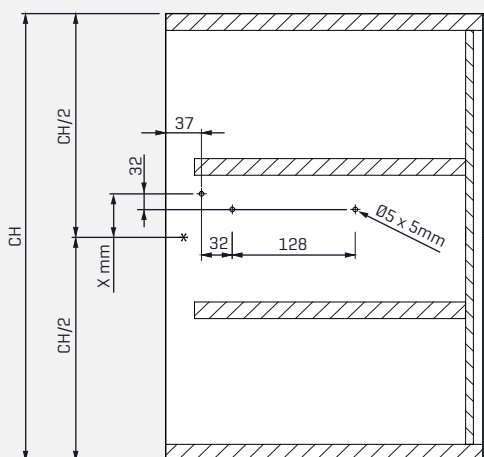


Center of pins for fitting the mechanism
[Ø5 x 5 mm]

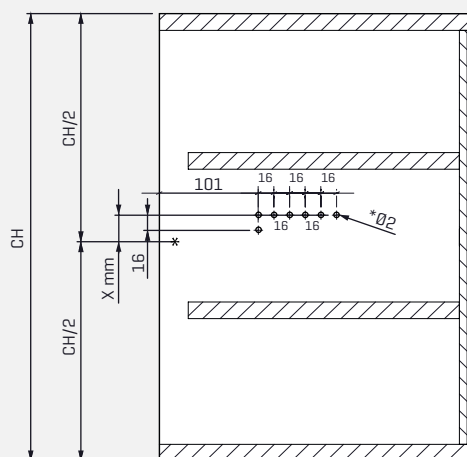


*For usage of Euro Screw, the diameter of holes must be Ø5 mm.

Symmetrical Double Shelf Wooden And Aluminum Door Applications



Center of pins for fitting the mechanism
[Ø5 x 5 mm]

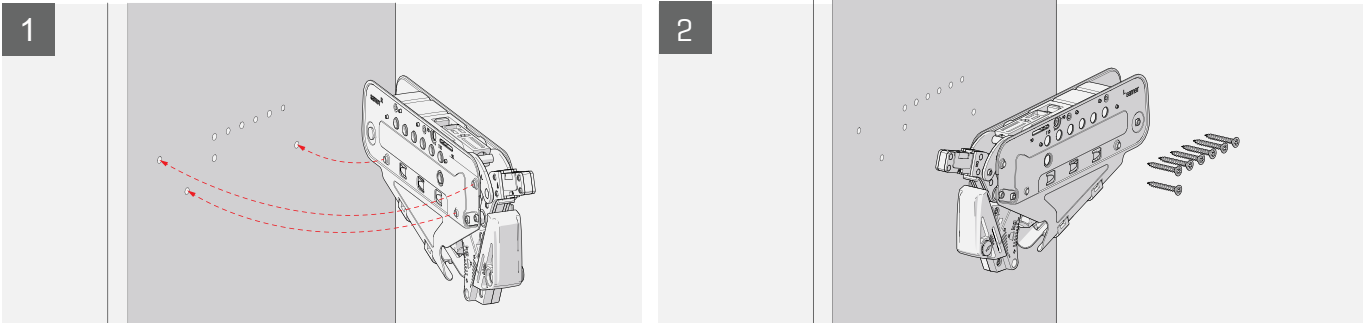


*For usage of Euro Screw, the diameter of holes must be Ø5 mm.

CH (mm)	720	800	900
X (mm)	70	82	100

CH: Cabinet Height

Assembly



3

1- Loosen the screw.

2- Please make sure to set the proper length for telescopic arm by following hole numbers* which are stated on telescopic arms.

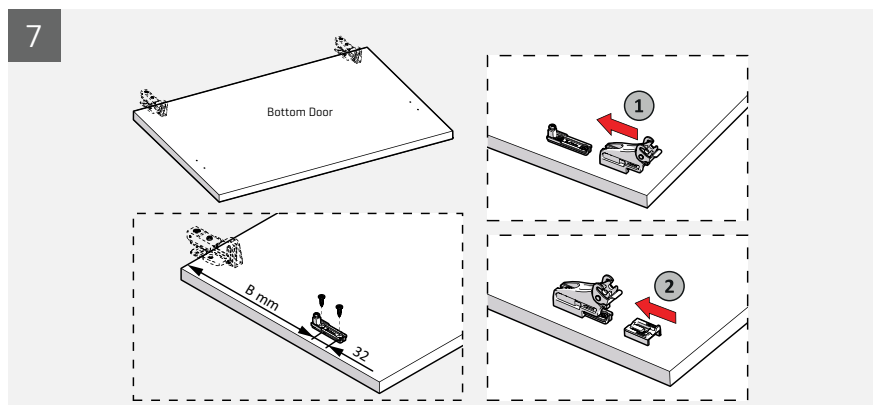
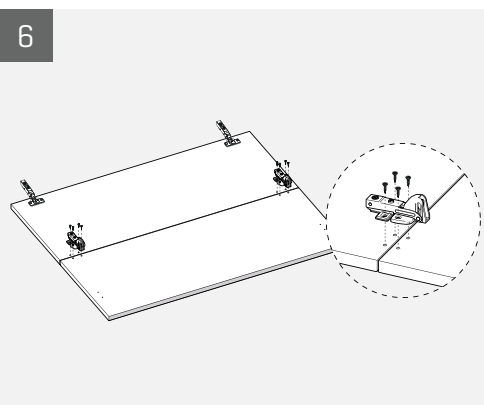
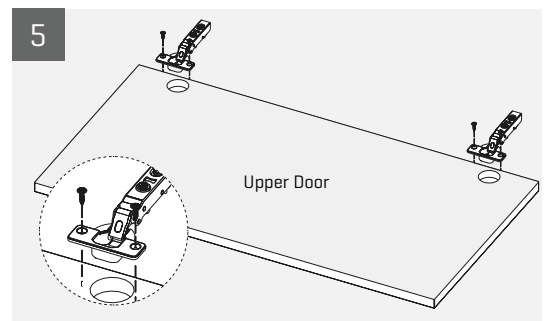
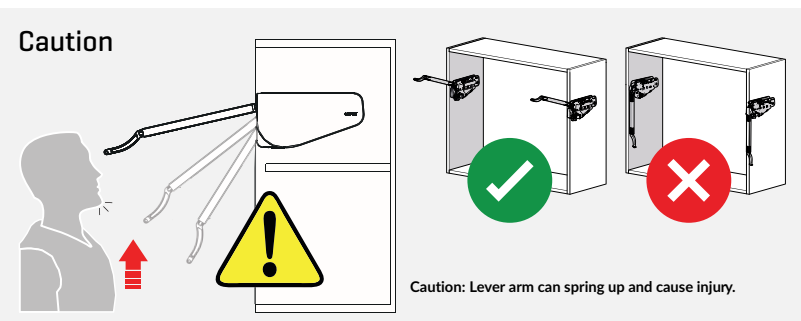
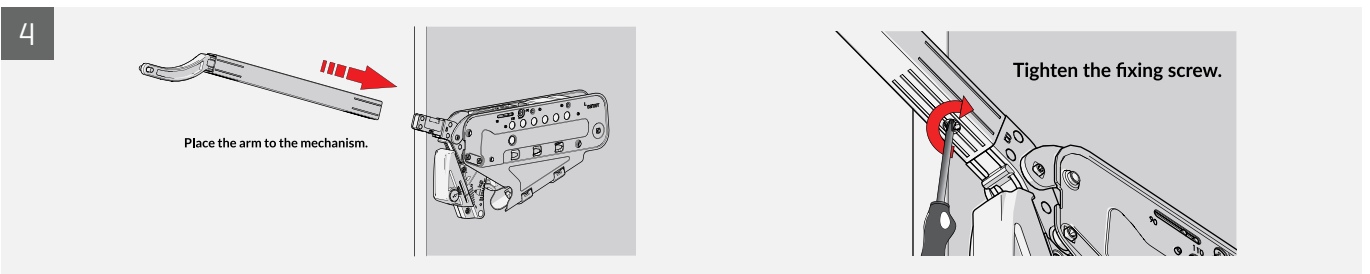
3-Tighten and fix the screw.

*Please refer to the hole position table for correct hole position.

Single Shelf Application			Symmetric Double Shelf Application		
Cabinet Height (mm)	Arm Length (mm)	Hole Number	Cabinet Height (mm)	Arm Length (mm)	Hole Number
1040	345	10	900	345	1
1000	345	8	800	237	6
900	345	1	720	237	1
860	345	0			
800	237	8			
760	237	6			
720	237	3			
700	237	2			
650	195	4			
600	195	1			
560	145	5			
500	145	1			
480	145	0			

Important:
For setting the correct hole number on telescopic arms, please done the alignment by using the profile edge.

Note: For the cabinet height which is not specified in the table, installation can be done by using the information that is stated in the upper row of the closest dimension to your cabinet height.

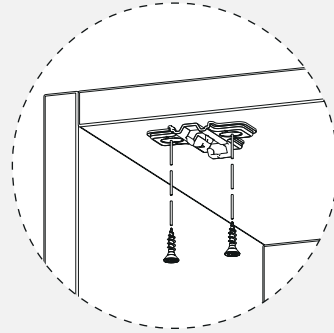
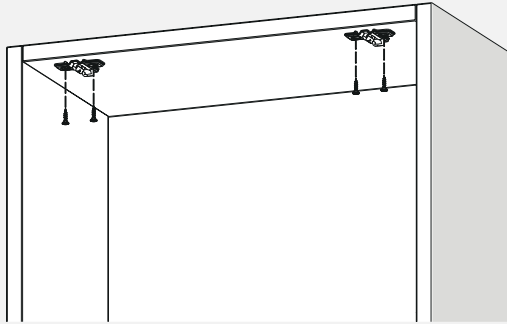


Multi Mech

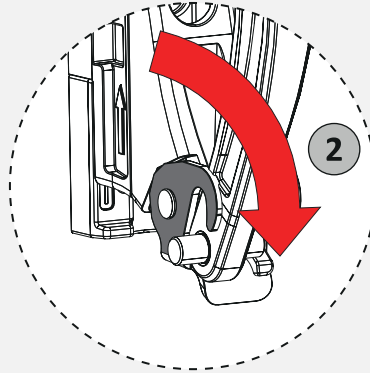
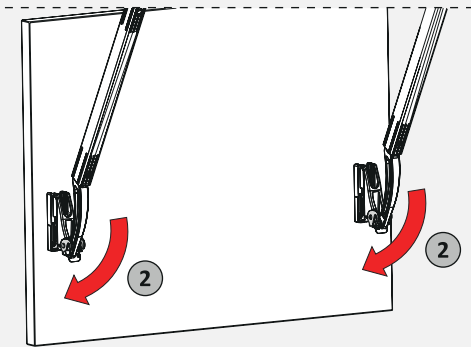
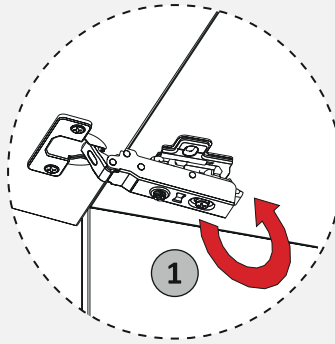
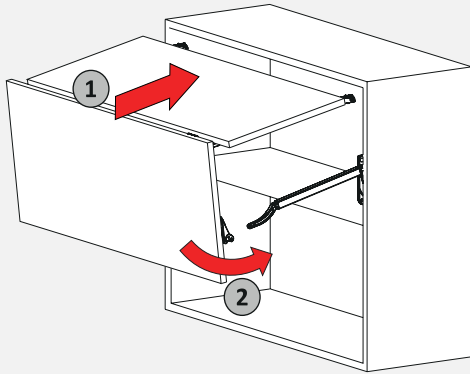
Mechanical Double Lift-Up Door System

Assembly

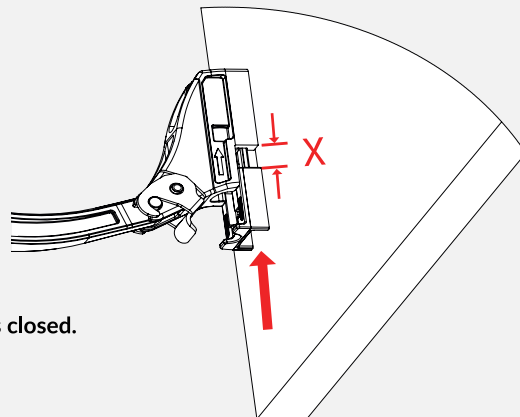
8



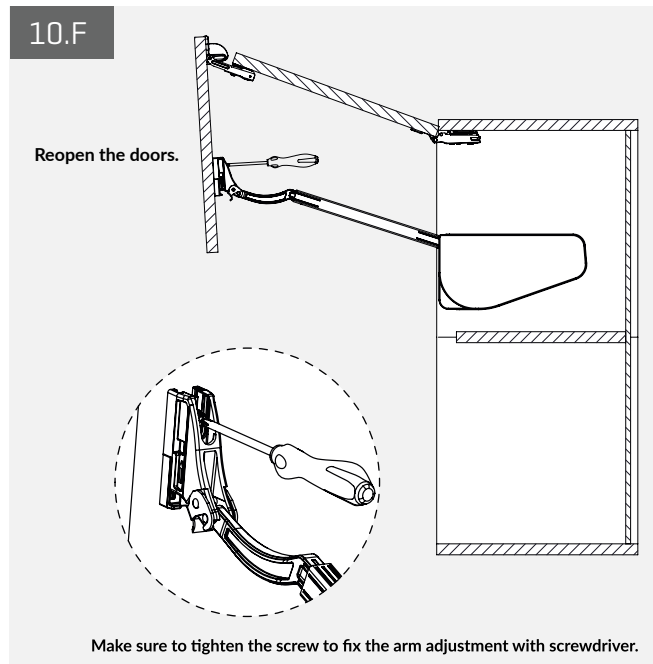
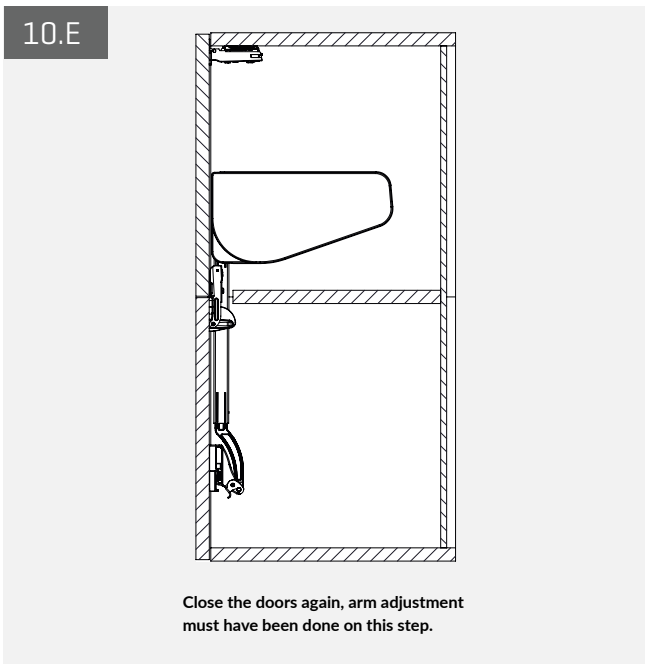
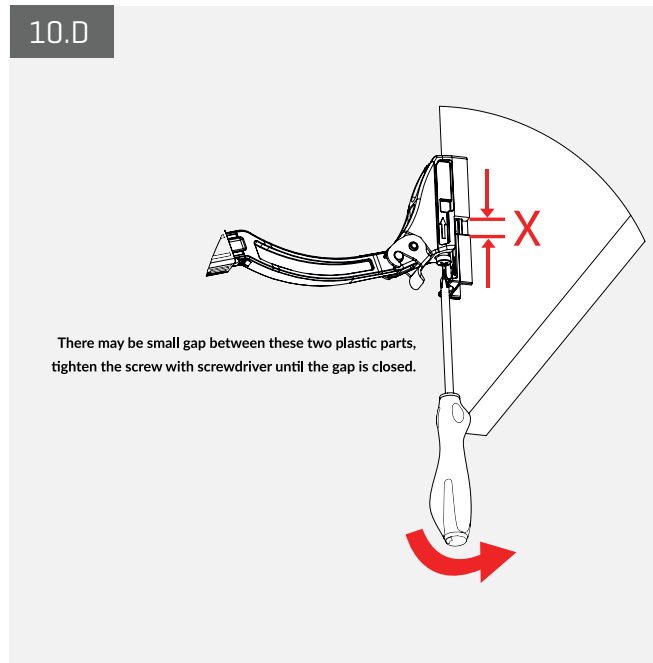
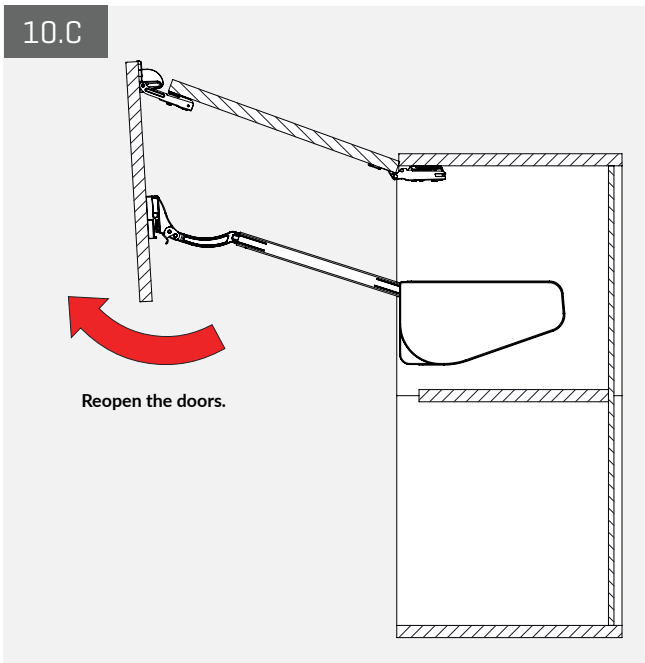
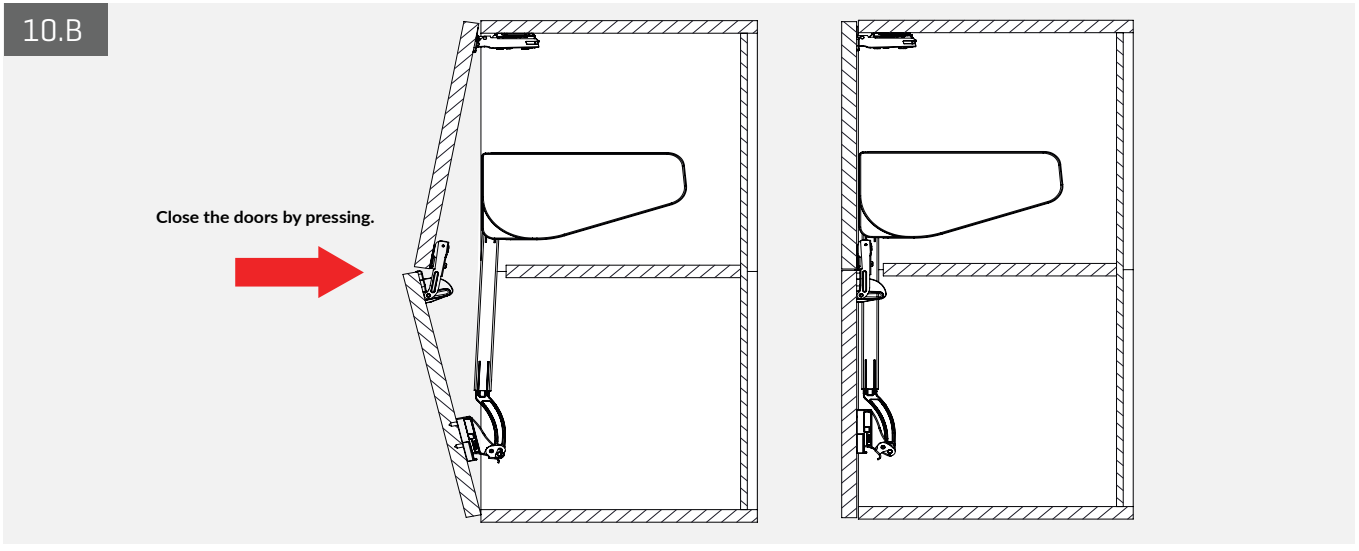
9



10.A



Push the lower part up until the gap (X) is closed.

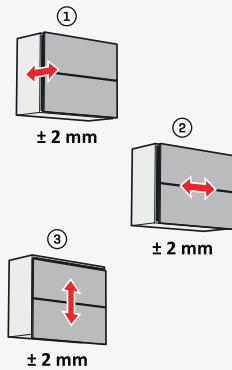
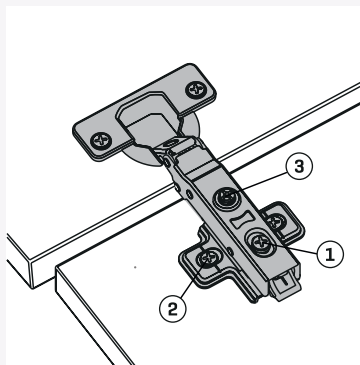


Multi-Mech

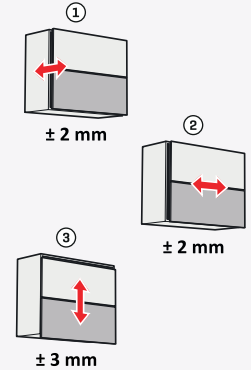
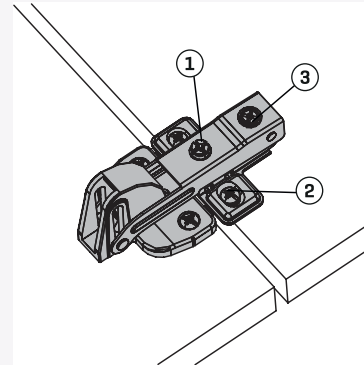
Mechanical Double Lift-Up Door System

Door Weight

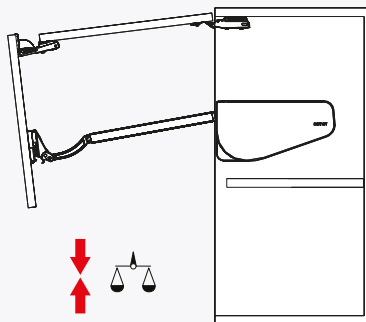
Top Hinge



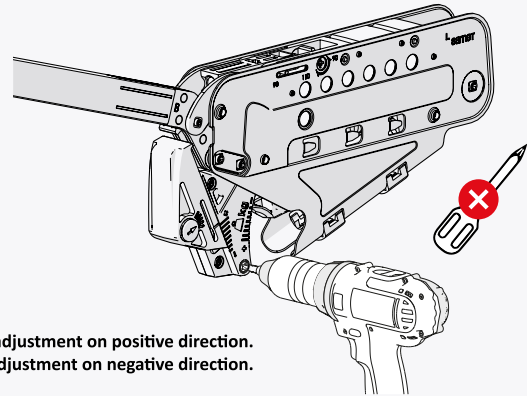
Middle Hinge



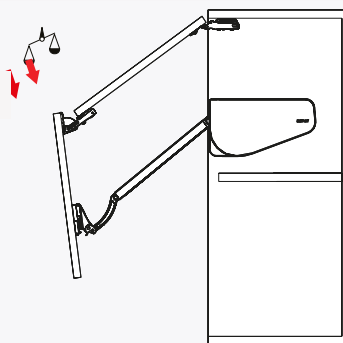
Power Adjustment for Door Weight



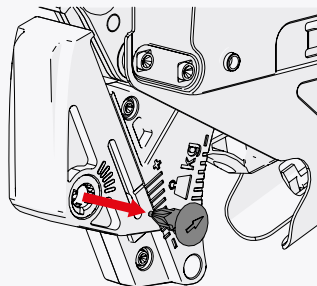
For increasing the power of the mechanism, please make the adjustment on positive direction.
For decreasing the power of the mechanism, please make the adjustment on negative direction.



Soft Closing [Damper] Adjustment

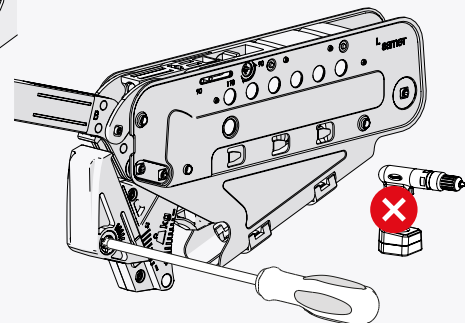


1 Take out the damper safety pin.

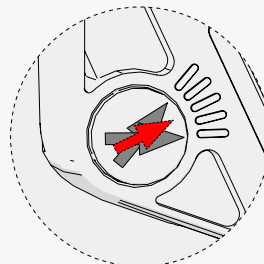
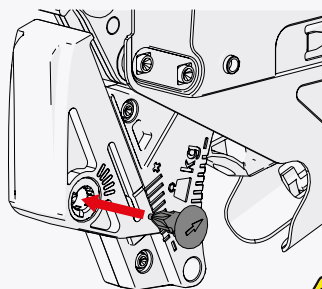


2

Adjustment on negative direction ensures faster door closing effect, adjustment on positive direction ensures slower door closing effect.



3 Place the damper safety pin.

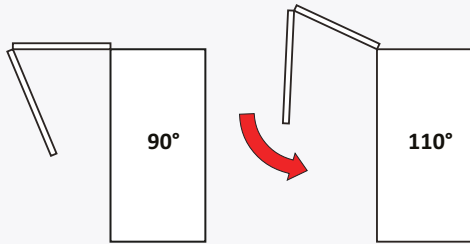


Important: Do not make the adjustment with a power screwdriver or a power drill.

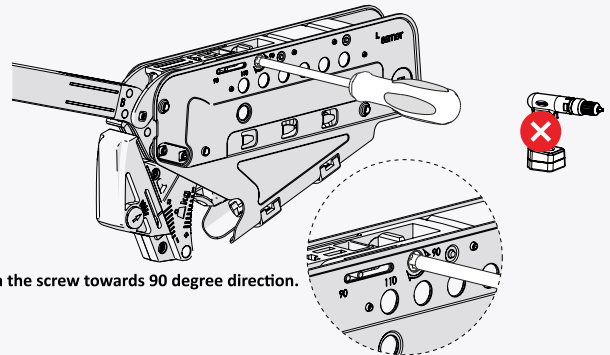


Please pay attention to the arrow sign for placing the damper safety pin.

Opening Angle Adjustment

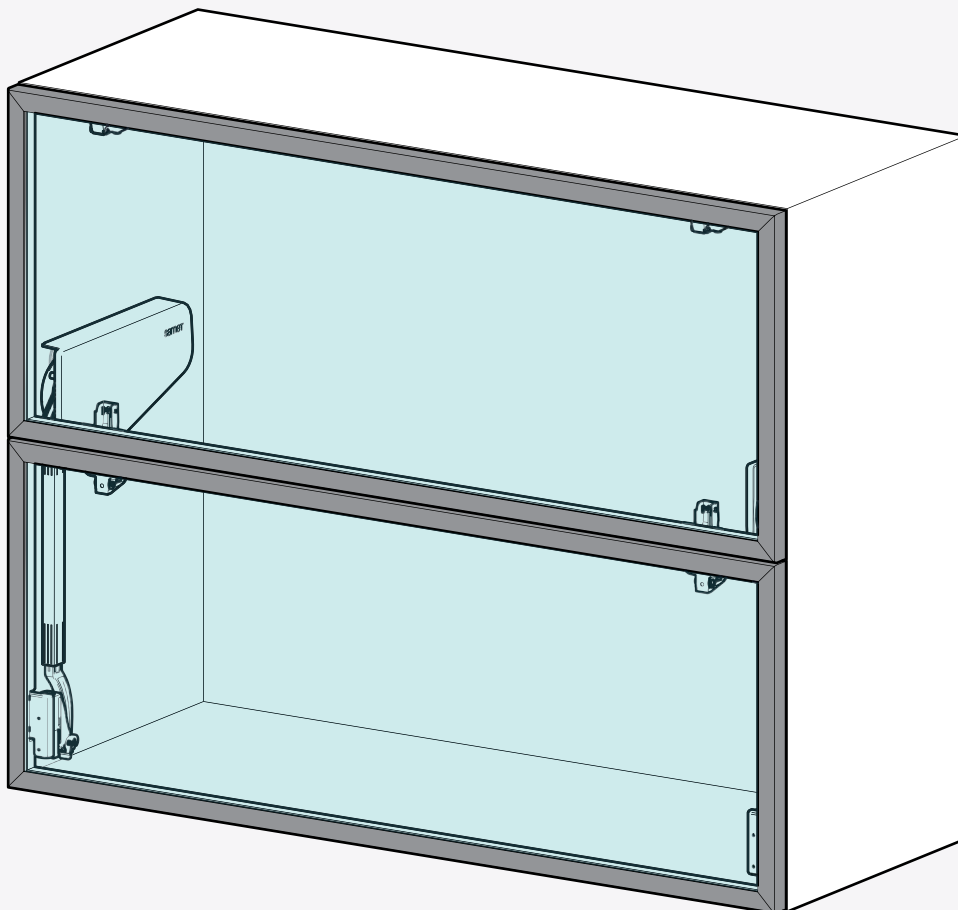


Important Note: Please make the opening angle adjustment with a manual screwdriver with a #2 Pozzi drive tip.

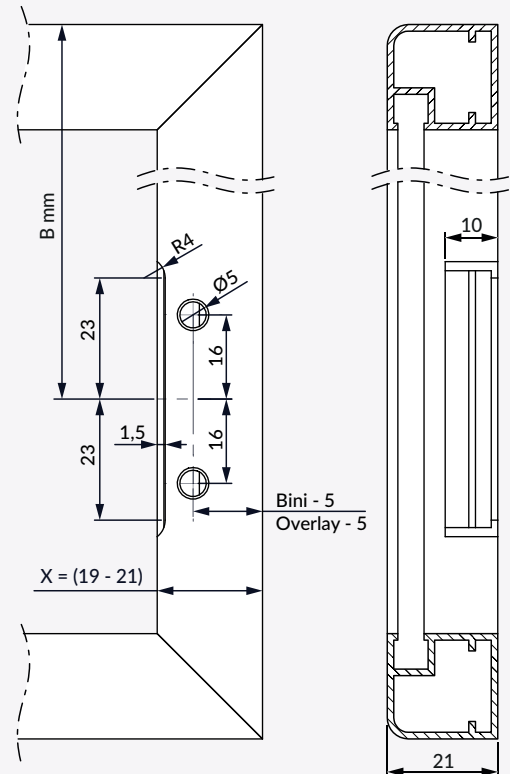
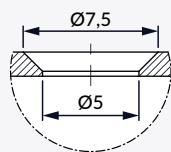
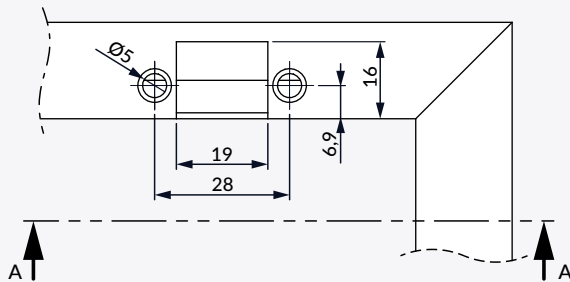
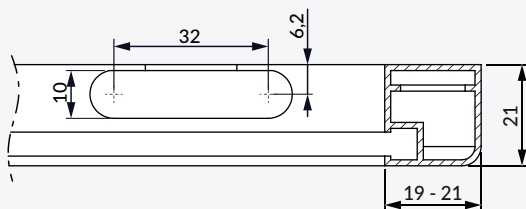
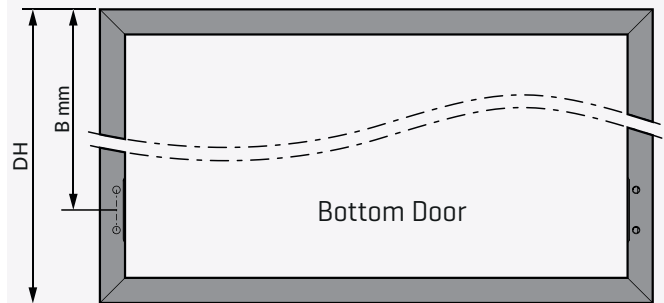
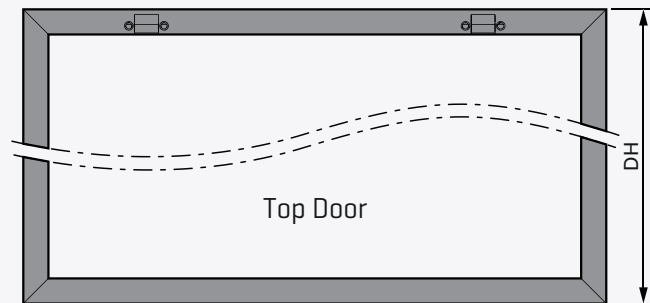


Please make sure to place the pins on the preferred opening angle.
 For 90 degree opening, please lower the doors below 90 degree angle and then turn the screw towards 90 degree direction.
 For 110 degree opening, please turn the screw towards 110 degree direction.

Aluminium Door Application



Assembly



Single Shelf Application

Cabinet Height [mm]	B Distance [mm]
1040	383
1000	366
900	310
860	302
800	258
760	242
720	218
700	210
650	185
600	160
560	143
500	112
480	105

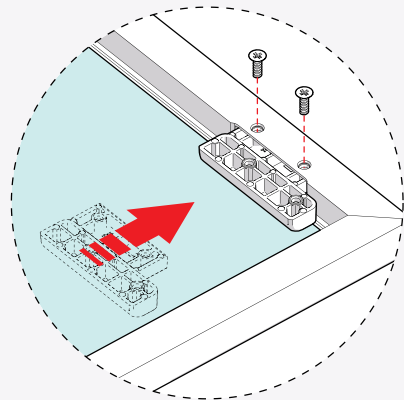
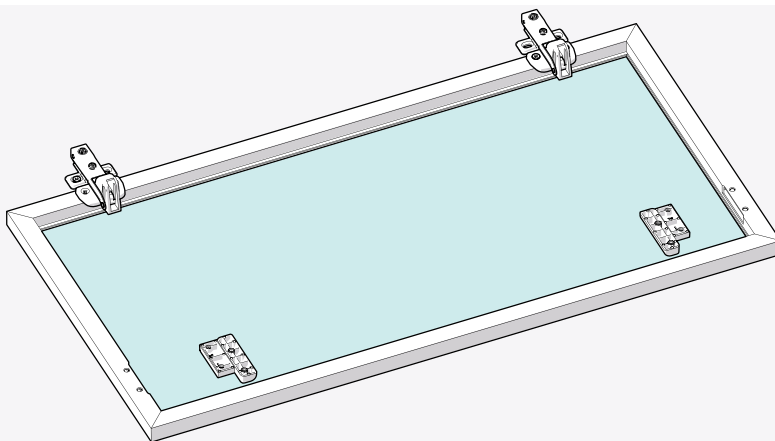
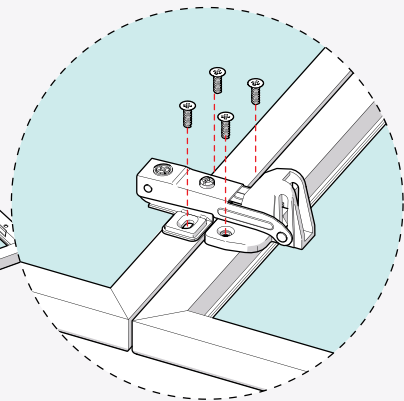
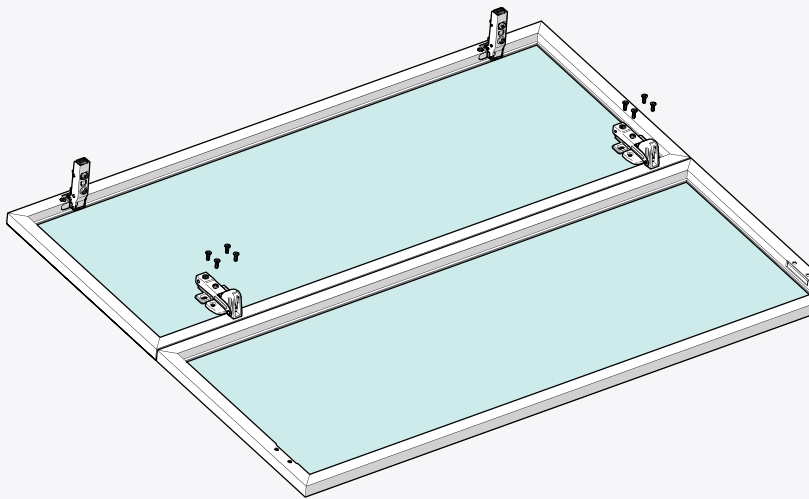
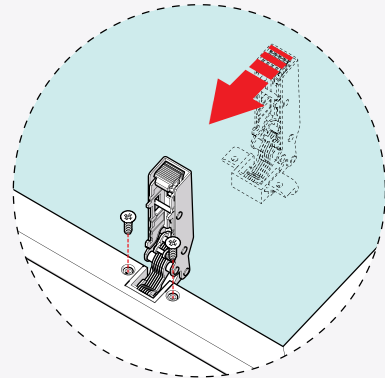
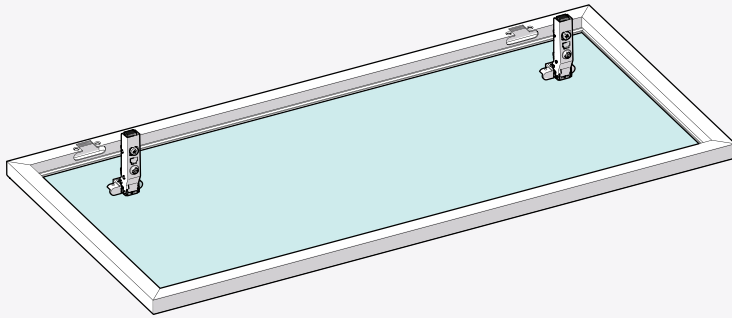
Symmetric Double Shelf Application

Cabinet Height [mm]	B Distance [mm]
900	361
800	310
720	282

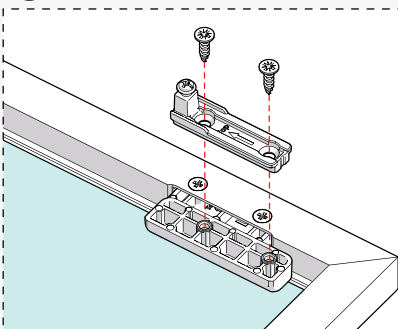
DH: Door Height

Note: For the cabinet height which is not specified in the table, installation can be done by using the information that is stated in the upper row of the closest dimension to your cabinet height.

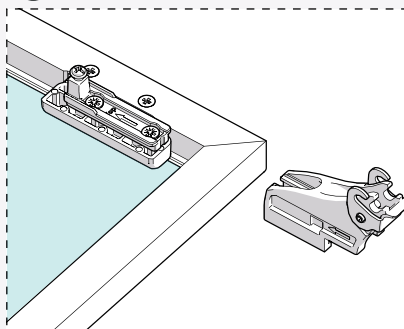
Assembly



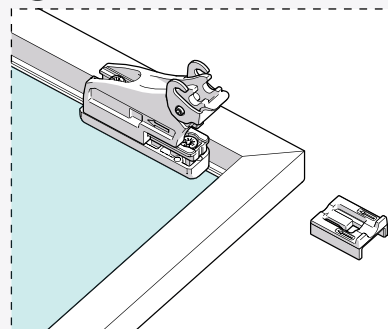
1



2



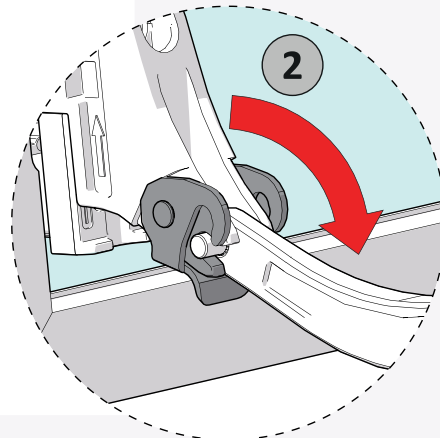
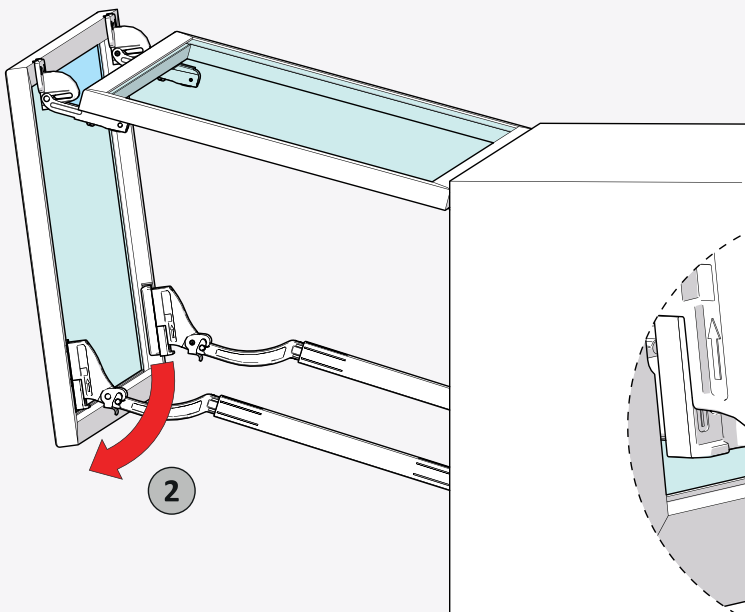
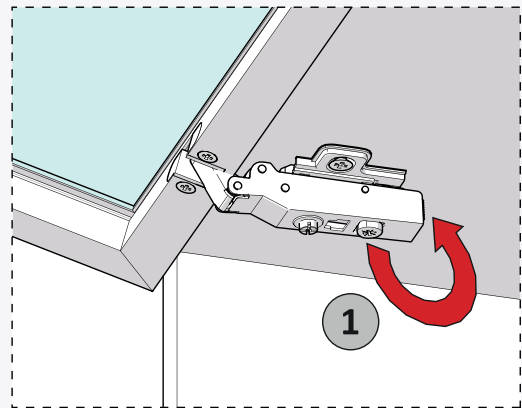
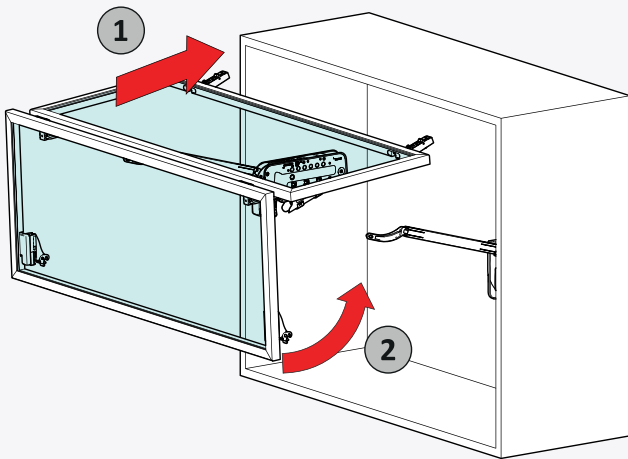
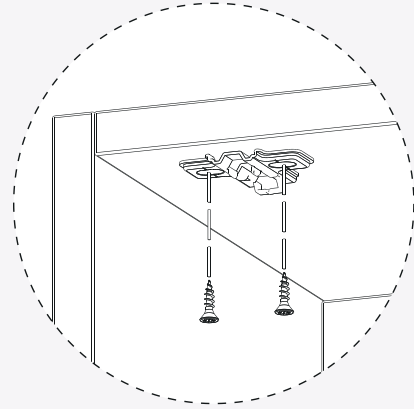
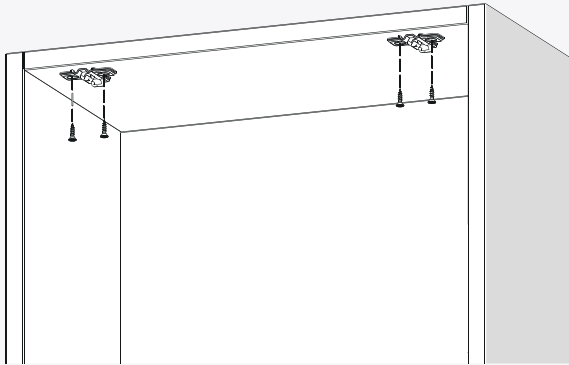
3



Multi-Mech

Mechanical Double Lift-Up Door System

Assembly



Solo Mech

Hingeless Single Lift-Up Door System



Solo Mech

- Gradually opening
- Soft closing mechanism which ensures silent and gentle closure
- Can be adjusted according to the weight of the door
- Two different opening angle options
- For doors 200-600 mm in height
- For doors up to 1200 mm in width
- 1-14.7 kg loading capacity

Solo-Mech Wholesale Package

CODE	DESCRIPTION	POWER	COLOR	PACKAGE
12417610001001	Solo-Mech Wholesale Package	A1	White	1 Set/ Box
12417610003001	Solo-Mech Wholesale Package	A1	Grey	1 Set/ Box
12417610006001	Solo-Mech Wholesale Package	A1	Mocha	1 Set/ Box
12417610007001	Solo-Mech Wholesale Package	A1	Anthracite	1 Set/ Box
12417710001001	Solo-Mech Wholesale Package	B1	White	1 Set/ Box
12417710003001	Solo-Mech Wholesale Package	B1	Grey	1 Set/ Box
12417710006001	Solo-Mech Wholesale Package	B1	Mocha	1 Set/ Box
12417710007001	Solo-Mech Wholesale Package	B1	Anthracite	1 Set/ Box
12417810001001	Solo-Mech Wholesale Package	C1	White	1 Set/ Box
12417810003001	Solo-Mech Wholesale Package	C1	Grey	1 Set/ Box
12417810006001	Solo-Mech Wholesale Package	C1	Mocha	1 Set/ Box
12417810007001	Solo-Mech Wholesale Package	C1	Anthracite	1 Set/ Box

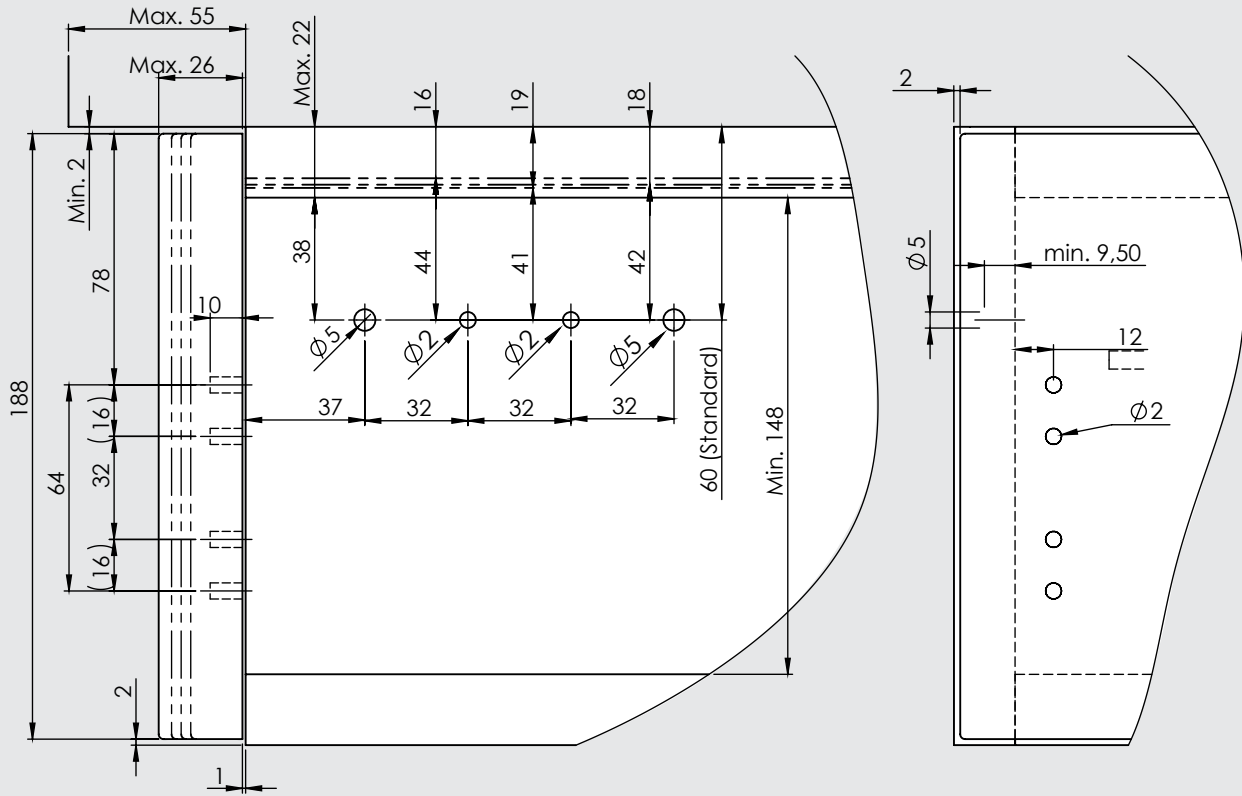
Solo-Mech Industrial Package Mechanism

CODE	DESCRIPTION	POWER	SIDE	PACKAGE
124176200	Solo-Mech Industrial Package Mechanism	A1	Right	10 Pcs. / Box
124176300	Solo-Mech Industrial Package Mechanism	A1	Left	10 Pcs. / Box
124177200	Solo-Mech Industrial Package Mechanism	B1	Right	10 Pcs. / Box
124177300	Solo-Mech Industrial Package Mechanism	B1	Left	10 Pcs. / Box
124178200	Solo-Mech Industrial Package Mechanism	C1	Right	10 Pcs. / Box
124178300	Solo-Mech Industrial Package Mechanism	C1	Left	10 Pcs. / Box

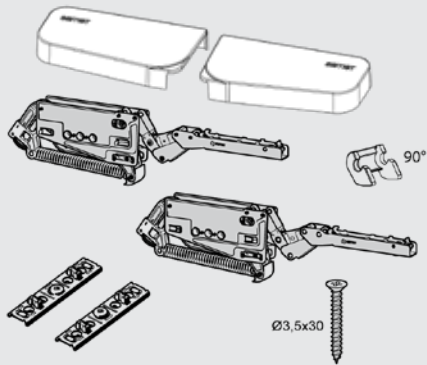
Solo-Mech Industrial Package - Cover

CODE	DESCRIPTION	COLOR	SIDE	PACKAGE
124179201001	Solo-Mech Industrial Package - Cover	White	Right	10 Pcs. / Box
124179203001	Solo-Mech Industrial Package - Cover	Grey	Right	10 Pcs. / Box
124179206001	Solo-Mech Industrial Package - Cover	Mocha	Right	10 Pcs. / Box
124179207001	Solo-Mech Industrial Package - Cover	Anthracite	Right	10 Pcs. / Box
124179301001	Solo-Mech Industrial Package - Cover	White	Left	10 Pcs. / Box
124179303001	Solo-Mech Industrial Package - Cover	Grey	Left	10 Pcs. / Box
124179306001	Solo-Mech Industrial Package - Cover	Mocha	Left	10 Pcs. / Box
124179307001	Solo-Mech Industrial Package - Cover	Anthracite	Left	10 Pcs. / Box

Technical Dimensions



Parts



Product Selection Table

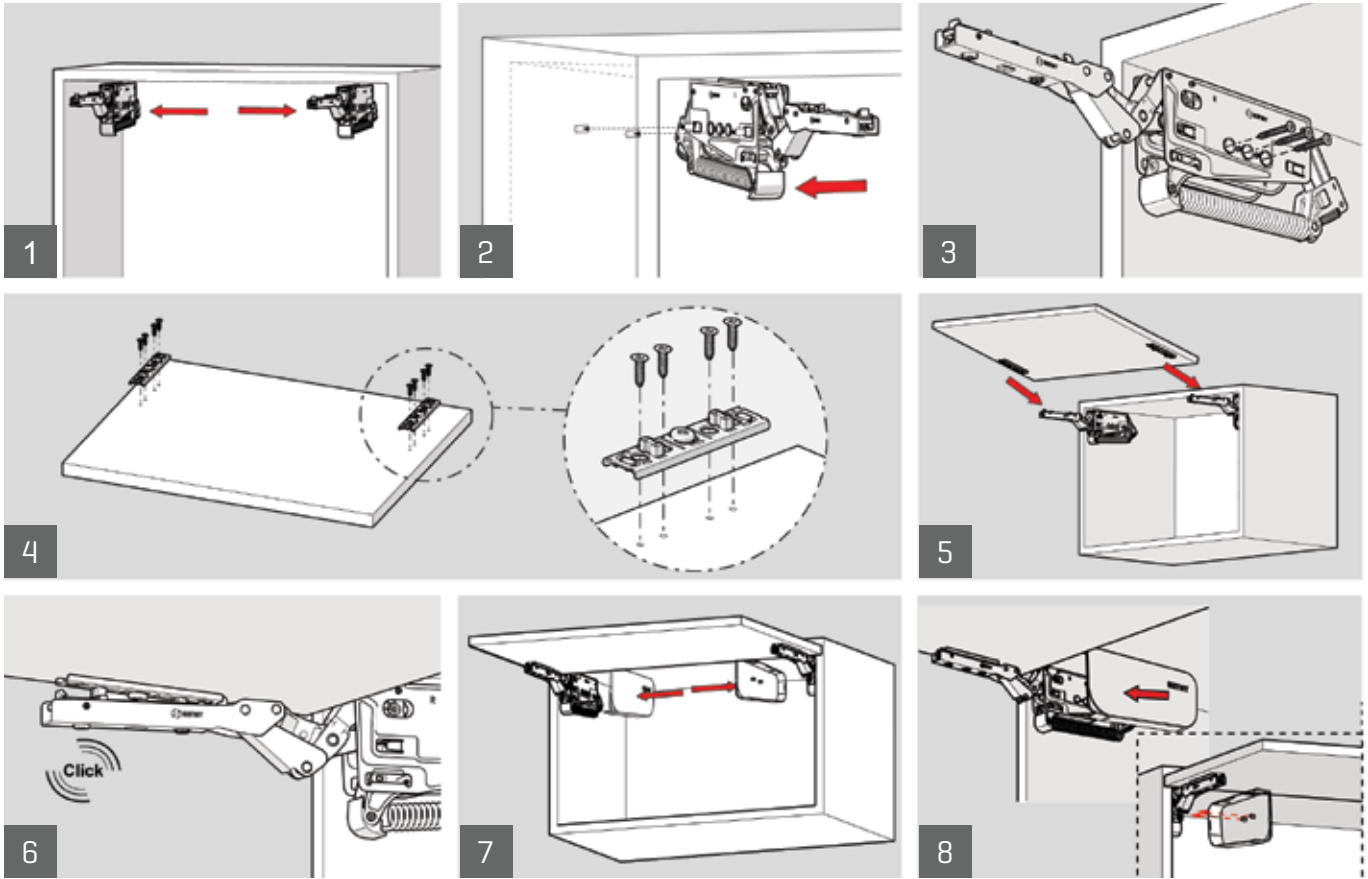
DOOR HEIGHT	POWER UNIT	A1		B1		C1	
		min. kg	max. kg	min. kg	max. kg	min. kg	max. kg
200 mm		3,6	6,5	5	9,7	7	14,7
201-250 mm		3,4	5,3	4	7,5	5,5	12,2
251-300 mm		1,9	4,9	3	5,9	4,5	9,9
301-350 mm		1,6	3,6	2,8	5	4	7,9
351-400 mm		1,4	3,1	2,4	4,2	3,6	7,2
401-450 mm		1,3	2,8	2,2	3,8	3,2	6,3
451-500 mm		1,2	2,5	2	3,4	2,8	5,5
501-550 mm		1	2,2	1,75	3	2,6	5,1
551-600 mm		0,95	2	1,7	2,8	2,5	4,6

More powerful mechanism is recommended for intersection areas.

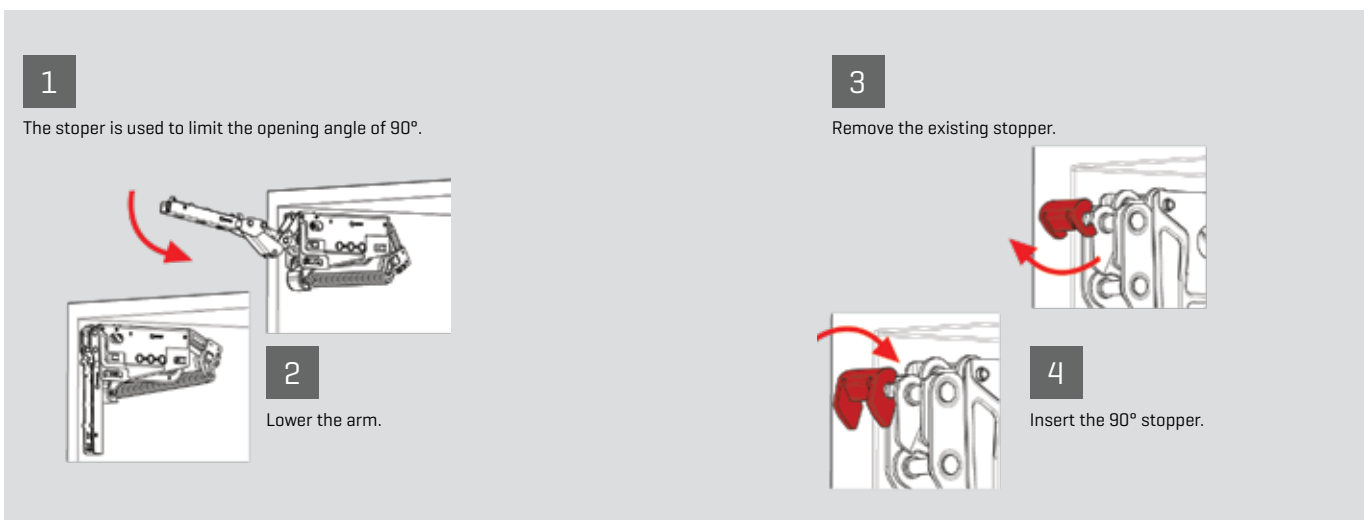
Solo Mech

Hingeless Single Lift-Up Door System

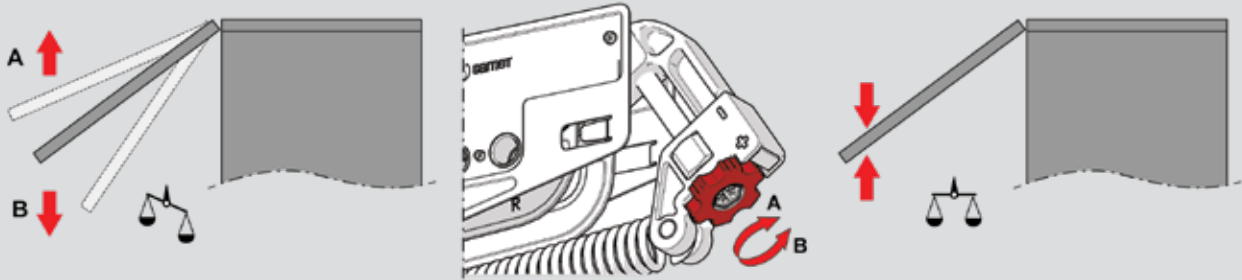
Assembly



90° Opening Angle



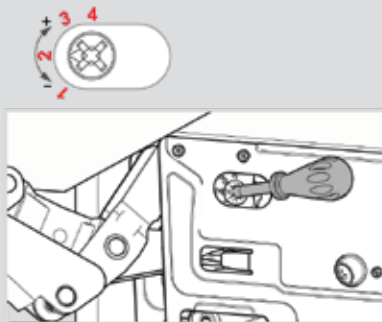
Adjustment



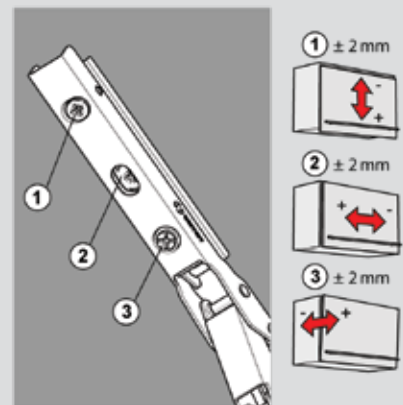
If, when the door is released, it rises instead of remaining in position, turn in direction "A," and if it descends, turn in direction "B" in order to adjust balance.

Low braking at setting 1, High braking at setting 4.

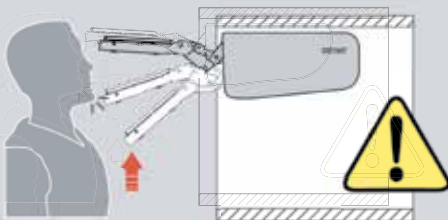
If the door closes too fast or too slowly, you can adjust the strength of the soft closing mechanism by adjusting from the specified position.



Important: Do not force the adjustment mechanism beyond the end point.

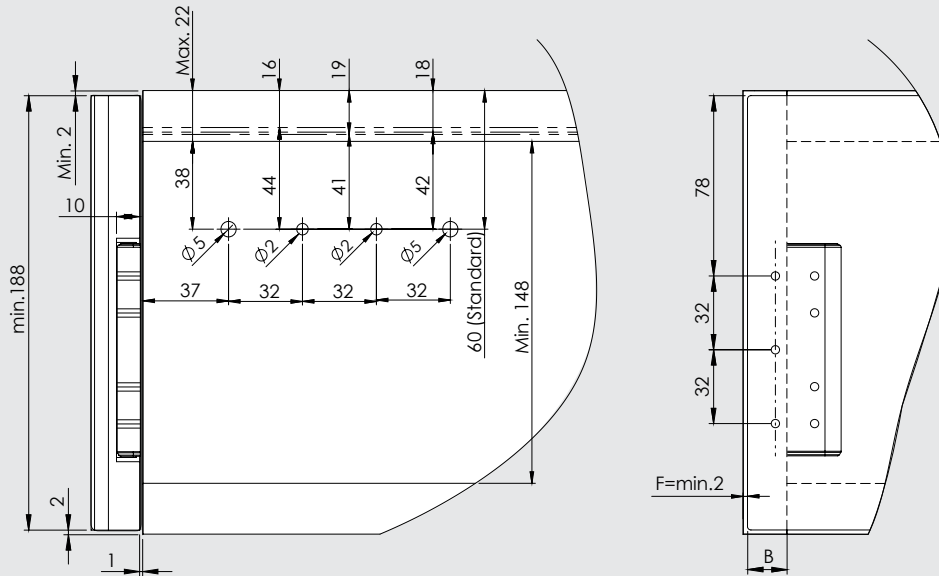


SAFETY INFORMATION

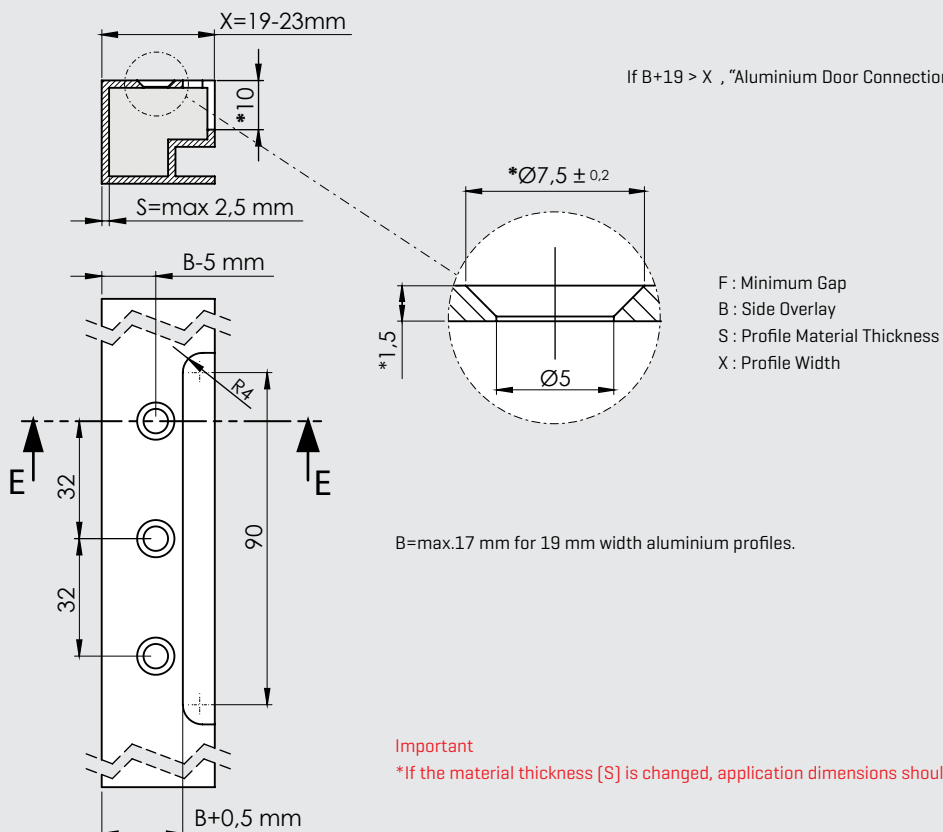


Caution:
Lever arm can
spring up and
cause injury.

Technical Dimensions

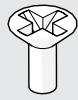
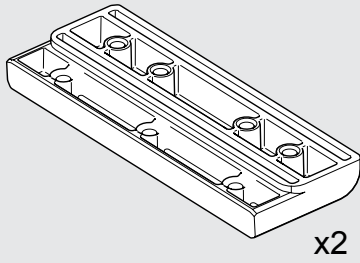


Technical Dimensions



Parts

DESCRIPTION	CODE
D-Lite Lift Aluminium Framed Door Connector	1249910

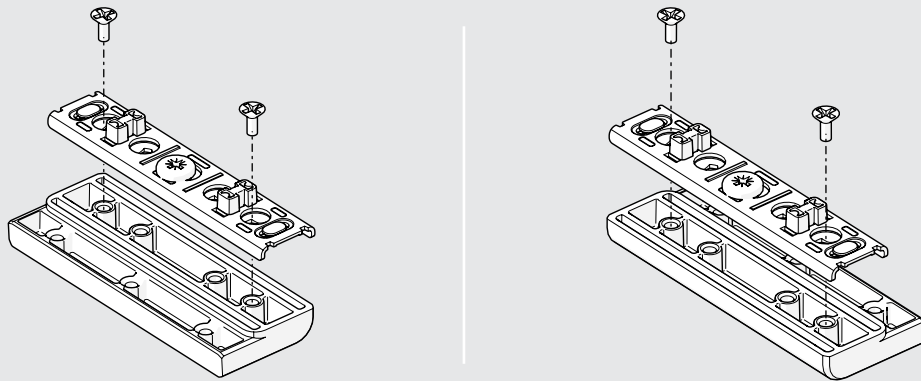


x10

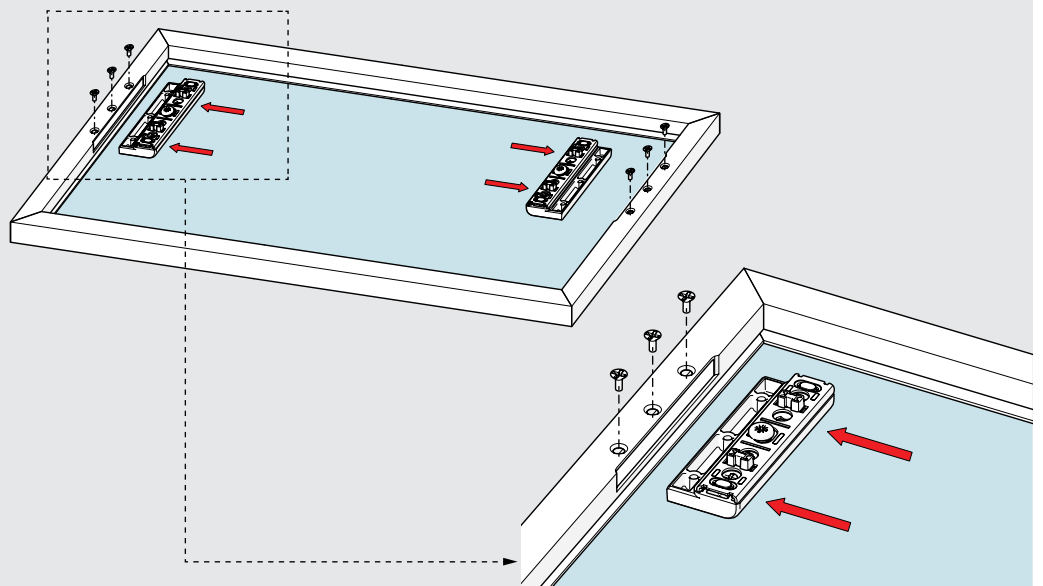
M4

[DIN 7500M]

Assembly



1



2

Lift Systems



Gas Spring Aluminium



Gas Spring White



Performa Lid Stay



Lid Stay with Lock



Hydraulic Lid Stay



Hydraulic Lid Stay

Code Table

DESCRIPTION	CODE	PACKAGE
Gas Spring 60 Newton Aluminium	1240290	25 Set / Carton - 100 Set / Box
Gas Spring 80 Newton Aluminium	1240287	25 Set / Carton - 100 Set / Box
Gas Spring 100 Newton Aluminium	1240288	25 Set / Carton - 100 Set / Box
Gas Spring 120 Newton Aluminium	1240289	25 Set / Carton - 100 Set / Box
Gas Spring 60 Newton White	1240291	25 Set / Carton - 100 Set / Box
Gas Spring 80 Newton White	1240292	25 Set / Carton - 100 Set / Box
Gas Spring 100 Newton White	1240293	25 Set / Carton - 100 Set / Box
Gas Spring 120 Newton White	1240294	25 Set / Carton - 100 Set / Box
Performa Lid Stay 28 mm Nickel	1240281	25 Set / Carton - 100 Set / Box
Performa Lid Stay 37 mm Nickel	1240282	25 Set / Carton - 100 Set / Box
Lid Stay with Lock 150 mm Nickel	1050311	25 Set / Carton - 100 Set / Box
Lid Stay with Lock 200 mm Nickel	1050312	25 Set / Carton - 100 Set / Box
Lid Stay with Lock 250 mm Nickel	1050313	25 Set / Carton - 100 Set / Box
Lid Stay with Lock 300 mm Nickel	1050314	25 Set / Carton - 100 Set / Box
Hydraulic Lid Stay Right Nickel	1050351	25 Set / Carton - 100 Set / Box
Hydraulic Lid Stay Left Nickel	1050352	25 Set / Carton - 100 Set / Box

Functionality in Storage Areas...

SAMET Wooden Sliding Door Systems developed to permit optimum use of furniture and maximum space for the end user, combines quality, performance and functionality.

Read the QR code to learn more about sliding door systems..



Install a QR code reader for your operating system. Then start the QR code reader and keep your smartphone or tablet approximately 20 cm above the QR code.



SMT 110⁺ PLUS

Upper Guided Sliding Door System

- Easy assembly and disassembly the doors with the easy assembly kit.
- Excellent Soft Close System
- Compact and light design
- Custom wheel material for silent function
- 80 kg carrying capacity
- High quality bearing wheels
- Suitable for different cover thicknesses with adjustable external and internal cover mechanism
- Suitable for cover thickness up from 18 mm up to 50 mm
- 20 mm inner top mechanism adjustment feature
- Locking item is used for stability
- Suitable hole sizes for mass production



Product is sold as a set.

- Soft-Close mechanism is included in set.
- Upper rail operates with double lower rail.

wooden sliding door systems



SMT 110 PLUS - Upper Guided Sliding Door System

Standard Set Includes



	Adjustable Lower Wheel Mechanism	External Top Mechanism	Internal Top Mechanism	Soft-Close Mechanism	Safety Stopper	Brake Connection Elements	Easy Assembly Kit
SET CODE	PIECE	PIECE	PIECE	PIECE	PIECE	PIECE	PIECE
128009126 2 Door	4	2	2	4	4	8	4
128009127 3 Door - 2 Inner +1 Outer Door	6	2	4	4	6	8	6
128009128 3 Door - 2 Outer+1 Inner Door	6	4	2	4	6	8	6
128009129 4 Door- 2 Outer+2 Inner Door	8	4	4	4	8	8	8

Mechanisms

DESCRIPTION	CODE	UNIT
SMT110 Plus Upper Guided Sliding Door System (2 Door)	128009126	1 Set
SMT110 Plus Upper Guided Sliding Door System (3 Door - 2 Inner +1 Outer Door)	128009127	1 Set
SMT110 Plus Upper Guided Sliding Door System (3 Door - 2 Outer+1 Inner Door)	128009128	1 Set
SMT110 Plus Upper Guided Sliding Door System (4 Door- 2 Outer+2 Inner Door)	128009129	1 Set

SMT 110 Plus Upper Guided Sliding Door System Aluminium Upper and Lower Rails



60/75/80 Kg
Aluminium Single Female Lower Rail
1280184411250 - 1280184411300



75 kg Aluminium Single Female Lower Rail
128018471250 - 128018471300

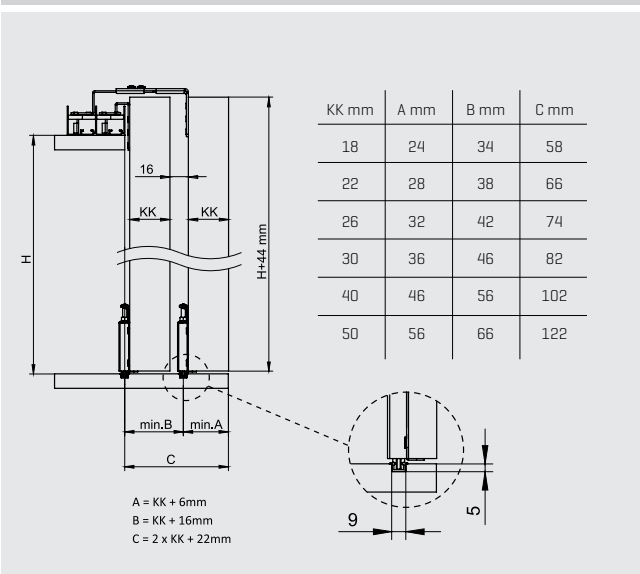


SMT 110/100 Plus Aluminium Upper Rail
1280185711250
1280185711300

Aluminium Upper and Lower Rails

DESCRIPTION	CODE	LENGTH
SMT 110/100 Plus Aluminium Upper Rail	1280185711250	2500 mm
SMT 110/100 Plus Aluminium Upper Rail	1280185711300	3000 mm
60/75/80 kg Aluminium Single Female Lower Rail	1280184411250	2500 mm
60/75/80 kg Aluminium Single Female Lower Rail	1280184411300	3000 mm
75 kg Aluminium Single Female Lower Rail	128018471250	2500 mm
75 kg Aluminium Single Female Lower Rail	128018471300	3000 mm

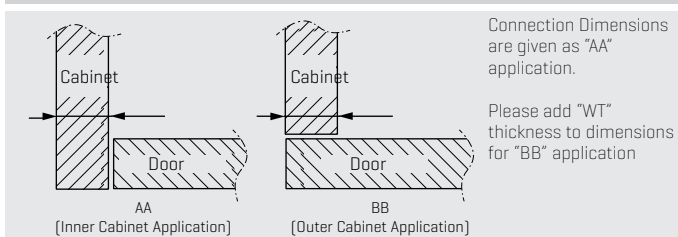
Space Requirement in Cabinet



Bottom Rail Assembly and Fixing

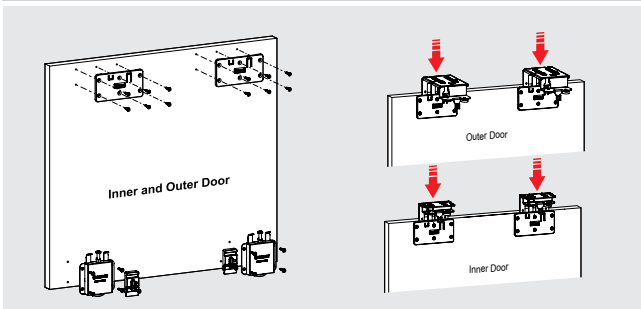


Application Features

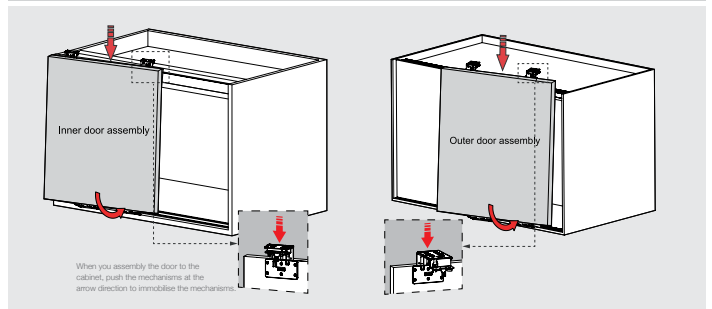


SMT 110 PLUS - Upper Guided Sliding Door System

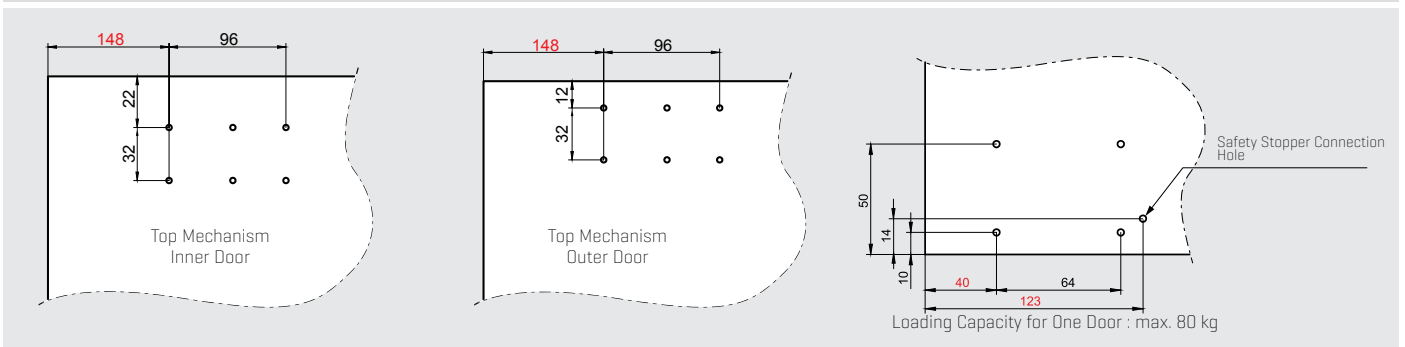
Mechanism Assembly



Door Installation and Adjustment



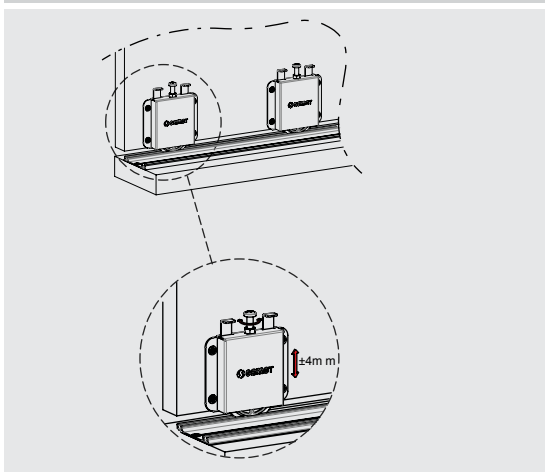
Space Requirement in Cabinet



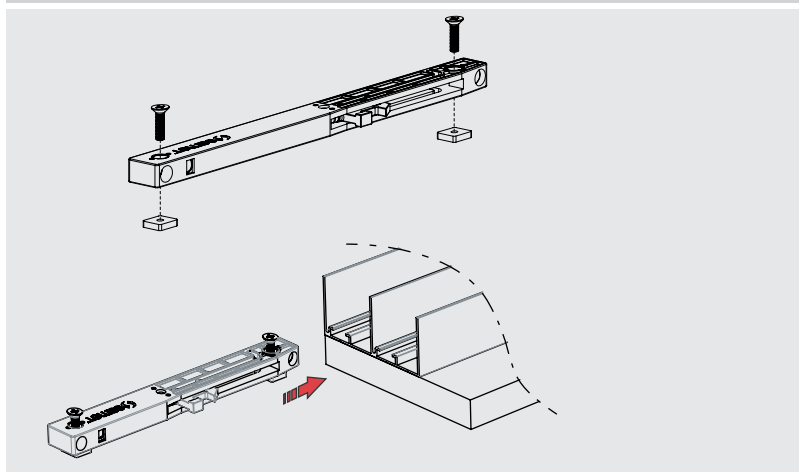
Space Requirement in Cabinet



Adjustment Feature



Soft-Close Mechanism

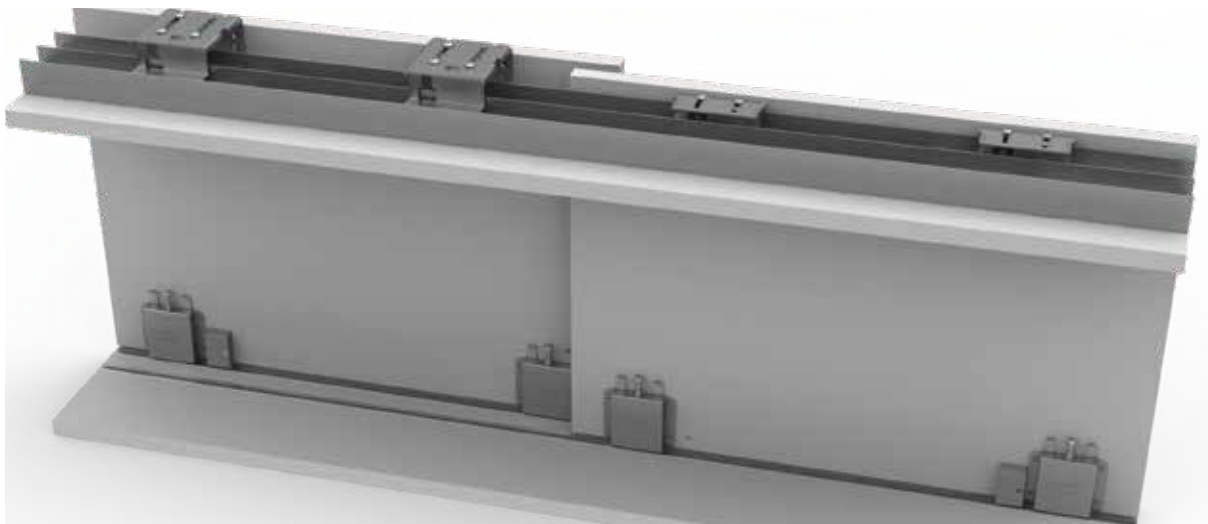




SMT 100⁺ PLUS

Upper Guided Sliding Door System

- Easy assembly and disassembly opportunity
- Excellent Soft Close System
- Compact and light design
- Custom wheel material for silent function
- 80 kg carrying capacity
- High quality bearing wheels
- Suitable for different cover thicknesses with adjustable external and internal cover mechanism
- Suitable for cover thickness up from 18 mm up to 50 mm
- 20 mm inner top mechanism adjustment feature
- Locking item is used for stability
- Suitable hole sizes for mass production



Product is sold as a set.

- Soft-Close mechanism is included in set.
- Upper rail operates with double lower rail.

wooden sliding door systems

SMT 100 PLUS - Upper Guided Sliding Door System



Standard Set Includes



SET CODE	Adjustable Lower Wheel Mechanism	External Top Mechanism	Internal Top Mechanism	Soft-Close Mechanism	Safety Stopper	Brake Connection Elements
128009116 2 Door	PIECE 4	PIECE 2	PIECE 2	PIECE 4	PIECE 4	PIECE 8
128009111 3 Door - 2 Inner + 1 Outer Door	PIECE 6	PIECE 2	PIECE 4	PIECE 4	PIECE 6	PIECE 8
128009121 3 Door - 2 Outer + 1 Inner Door	PIECE 6	PIECE 4	PIECE 2	PIECE 4	PIECE 6	PIECE 8
128009131 4 Door - 2 Outer + 2 Inner Door	PIECE 8	PIECE 4	PIECE 4	PIECE 4	PIECE 8	PIECE 8

Mechanisms

DESCRIPTION	CODE	UNIT
SMT100 Plus Upper Guided Sliding Door System (2 Door)	128009116	1 Set
SMT100 Plus Upper Guided Sliding Door System (3 Door - 2 Inner + 1 Outer Door)	128009111	1 Set
SMT100 Plus Upper Guided Sliding Door System (3 Door - 2 Outer + 1 Inner Door)	128009121	1 Set
SMT100 Plus Upper Guided Sliding Door System (4 Door - 2 Outer + 2 Inner Door)	128009131	1Set

SMT 100 Plus Upper Guided Sliding Door System Aluminium Upper and Lower Rails



60/75/80 Kg
Aluminium Single Female Lower Rail
1280184411250 - 1280184411300



75 kg Aluminium Single Female Lower Rail
128018471250 - 128018471300

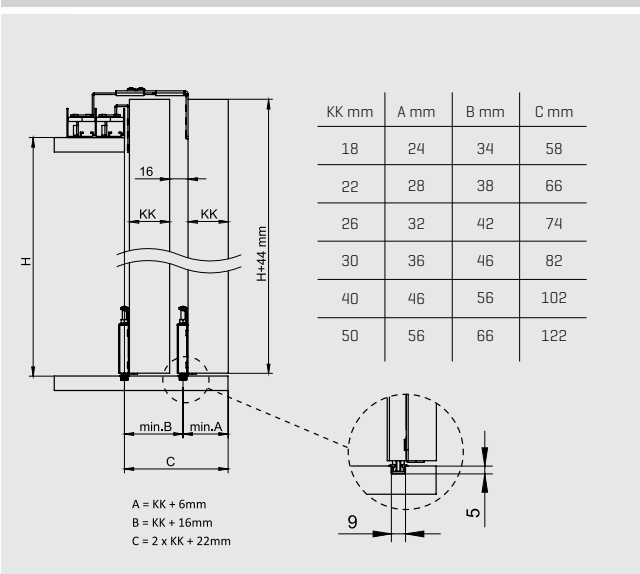


SMT 110/100 Plus Aluminium Upper Rail
1280185711250
1280185711300

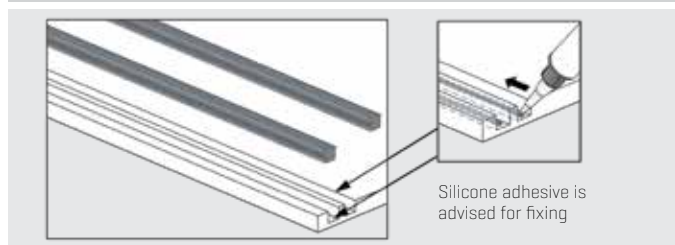
Aluminium Upper and Lower Rails

DESCRIPTION	CODE	LENGTH
SMT 110/100 Plus Aluminium Upper Rail	1280185711250	2500 mm
SMT 110/100 Plus Aluminium Upper Rail	1280185711300	3000 mm
60/75/80 kg Aluminium Single Female Lower Rail	1280184411250	2500 mm
60/75/80 kg Aluminium Single Female Lower Rail	1280184411300	3000 mm
75 kg Aluminium Single Female Lower Rail	128018471250	2500 mm
75 kg Aluminium Single Female Lower Rail	128018471300	3000 mm

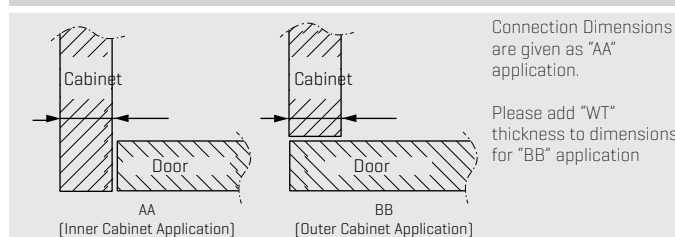
Space Requirement in Cabinet



Bottom Rail Assembly and Fixing

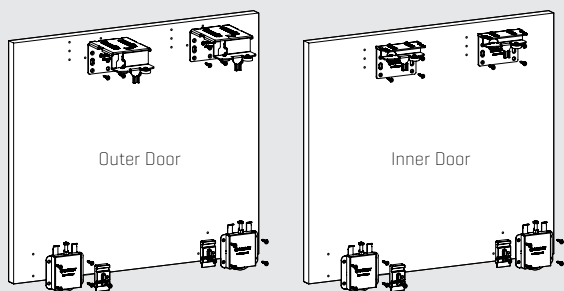


Application Features



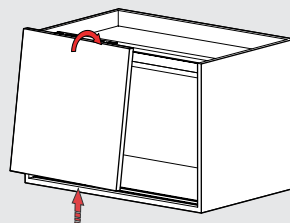
SMT 100 PLUS - Upper Guided Sliding Door System

Mechanism Assembly

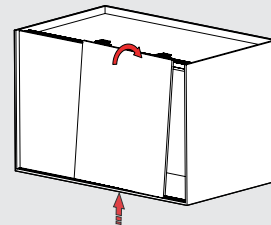


Door Installation and Adjustment

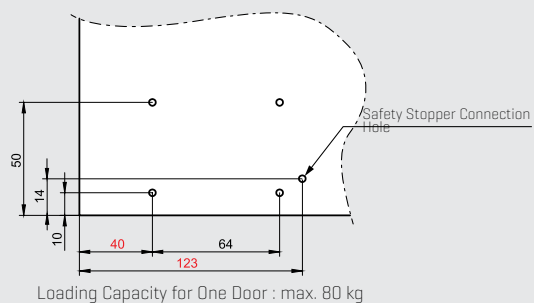
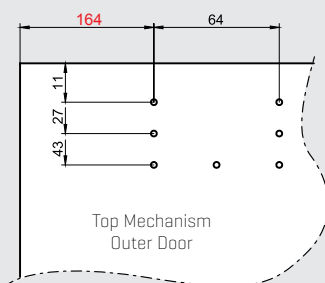
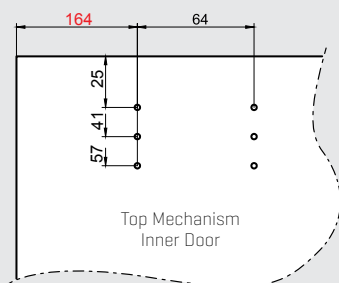
Inner Door Assembly



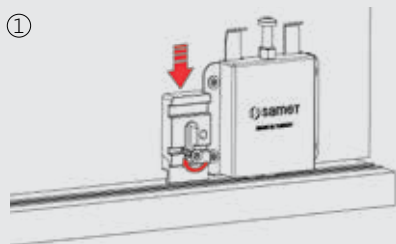
Outer Door Assembly



Space Requirement in Cabinet

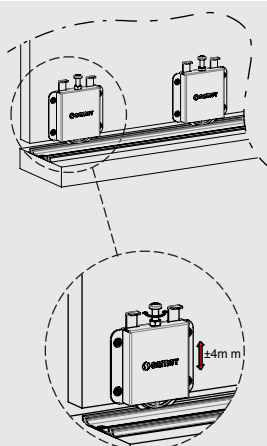


Safety Stopper Assembly

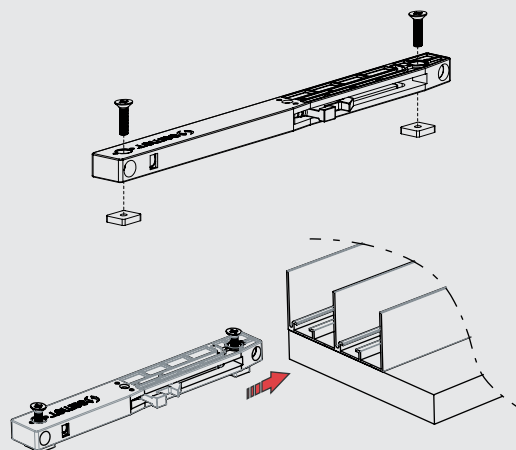


* Doors should be balanced before the assembly of stopper.

Adjustment Feature



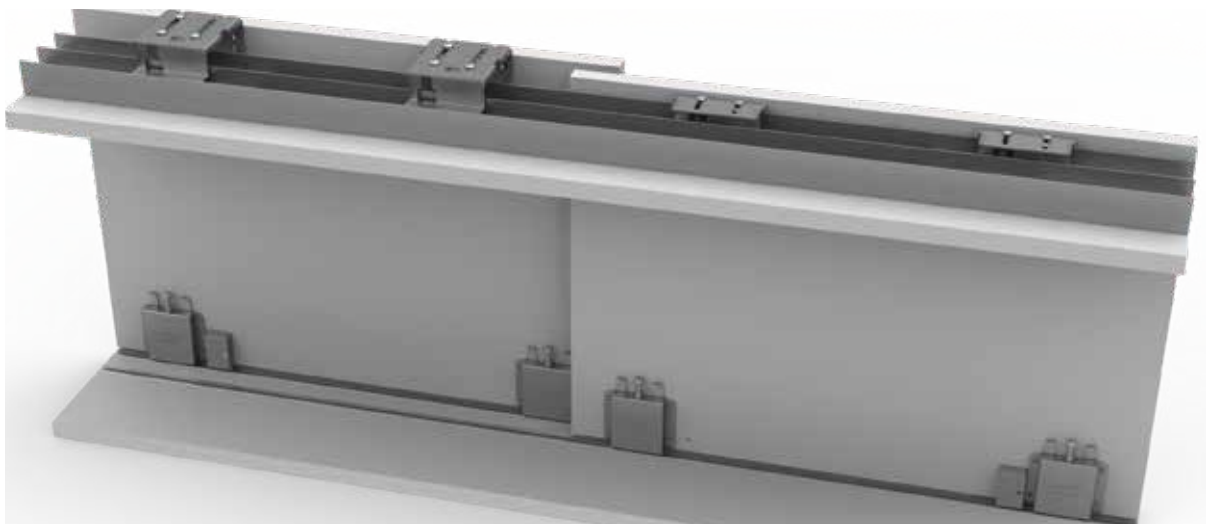
Soft-Close Mechanism



SMT 100

Upper Guided Sliding Door System

- Easy assembly and disassembly opportunity
- Small and elegant brake design
- Compact and light design
- Custom wheel material for silent function
- 80 kg carrying capacity
- High quality bearing wheels
- Suitable for different cover thicknesses with adjustable external and internal cover mechanism
- Suitable for cover thickness up from 18 mm up to 50 mm
- 20 mm inner top mechanism adjustment feature
- Locking item is used for stability
- Suitable hole sizes for mass production



Product is sold as a set.

- Soft-Close mechanism is included in set.
- Upper rail operates with double lower rail.

wooden sliding door systems

SMT 100 - Upper Guided Sliding Door System

Standard Set Includes



SET CODE		Adjustable Lower Wheel Mechanism	External Top Mechanism	Internal Top Mechanism	Soft-Close Mechanism	Safety Stopper	Brake Connection Elements
		PIECE	PIECE	PIECE	PIECE	PIECE	PIECE
128009100	2 Door	4	2	2	4	4	8
128009102	3 Door - 2 Inner +1 Outer Door	6	2	4	4	6	8
128009103	3 Door - 2 Outer+1 Inner Door	6	4	2	4	6	8
128009104	4 Door - 2 Outer+2 Inner Door	8	4	4	4	8	8

Mechanisms

DESCRIPTION	CODE	UNIT
SMT100 Upper Guided Sliding Door System [2 Door]	128009100	1 Set
SMT100 Upper Guided Sliding Door System [3 Door - 2 Inner +1 Outer Door]	128009102	1 Set
SMT100 Upper Guided Sliding Door System [3 Door - 2 Outer+1 Inner Door]	128009103	1 Set
SMT100 Upper Guided Sliding Door System [4 Door - 2 Outer+2 Inner Door]	128009104	1 Set

SMT 100 Upper Guided Sliding Door System Aluminium Upper and Lower Rails



60/75/80 Kg
Aluminium Single Female Lower Rail
1280184411250 - 1280184411300



75 kg Alüminyum Single Female Lower Rail
128018471250 - 128018471300

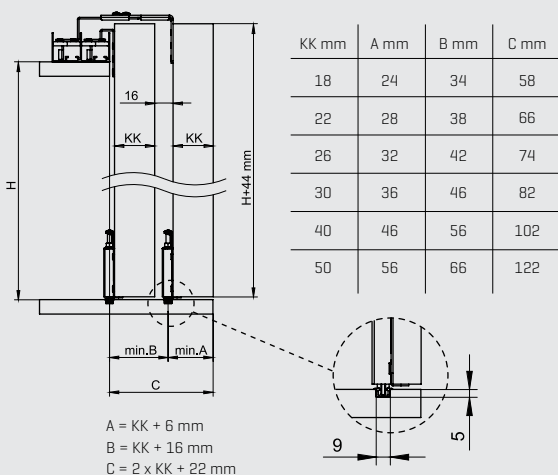


SMT 110/100 Plus Aluminium Upper Rail
1280185711250
1280185711300

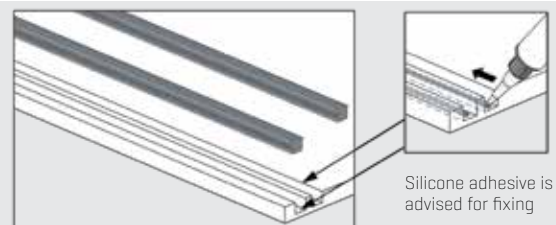
Aluminium Upper and Lower Rails

DESCRIPTION	CODE	LENGTH
SMT 110/100 Plus Aluminium Upper Rail	1280185711250	2500 mm
SMT 110/100 Plus Aluminium Upper Rail	1280185711300	3000 mm
60/75/80 kg Aluminium Single Female Lower Rail	1280184411250	2500 mm
60/75/80 kg Aluminium Single Female Lower Rail	1280184411300	3000 mm
75 kg Alüminyum Single Female Lower Rail	128018471250	2500 mm
75 kg Alüminyum Single Female Lower Rail	128018471300	3000 mm

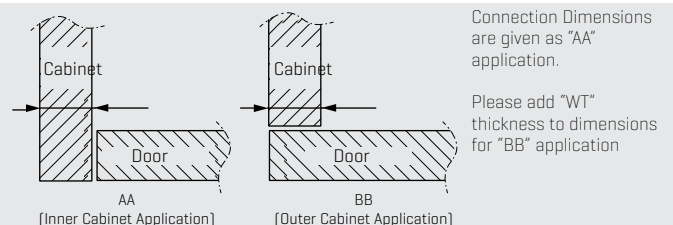
Space Requirement in Cabinet



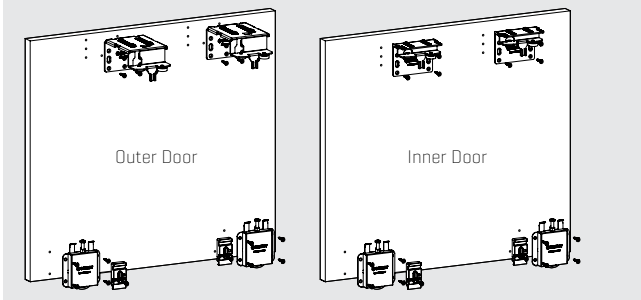
Bottom Rail Assembly and Fixing



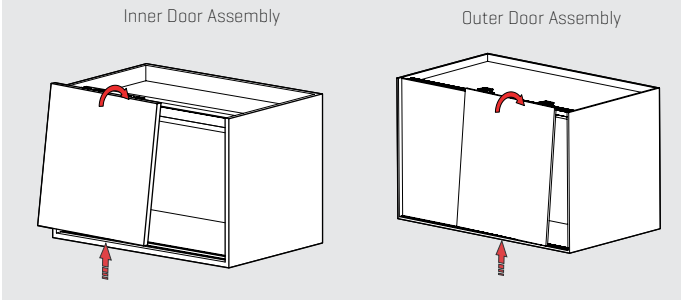
Application Features



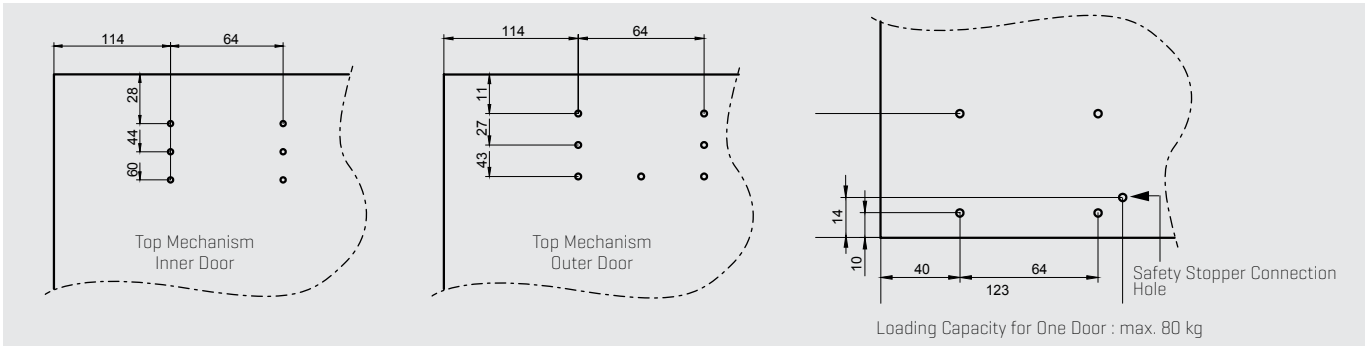
Mechanism Assembly



Door Installation and Adjustment



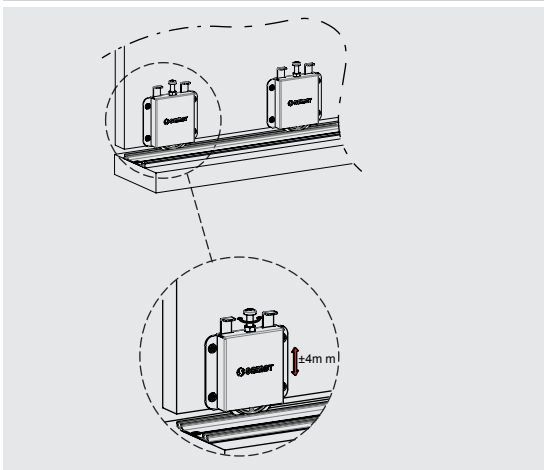
Space Requirement in Cabinet



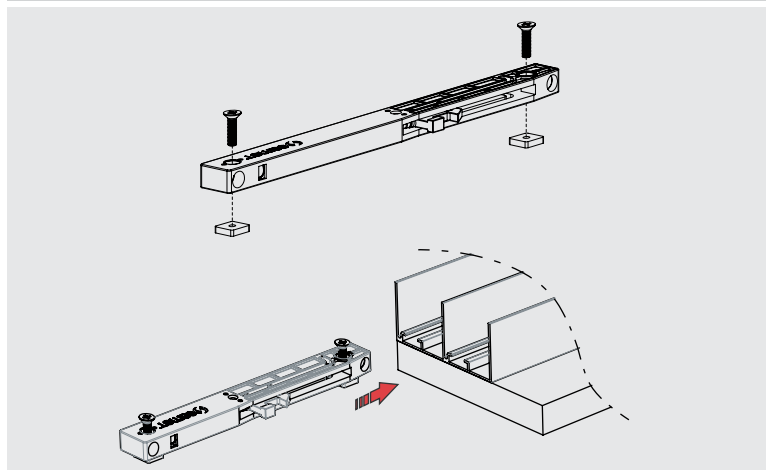
Safety Stopper Assembly



Adjustment Feature



Soft-Close Mechanism



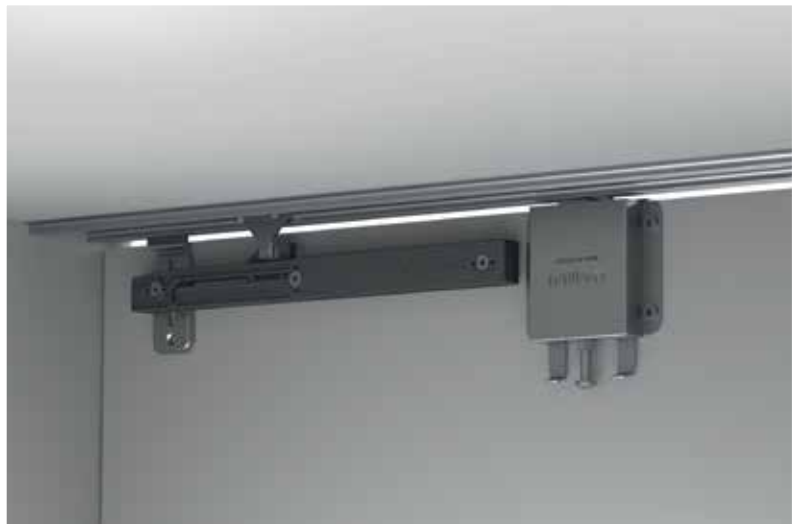
SMT 75T

Adjustable Tween Sliding Door Mechanism

- 75 kg carrying capacity
- Smoothly and silently running
- 8 mm upwards/downwards adjustability

Packaging

- There are 24 sets in a package.
- There are 4 mechanisms in a set.
- Soft-close mechanism is not include in set.



wooden sliding door systems

SMT 75 T - Adjustable Tween Sliding Door Mechanism

samet



Standard Set Includes



Adjustable Wheel Mechanism x4

Optional



Soft-Close Mechanism
1280109

Aluminium Upper and Lower Rails



60/75/80 kg Aluminium Single
Female Lower Rail
1280184411250
1280184411300



75 kg Aluminium Lux Double
Female Rail+Cover
1280184421250
1280184421300



75 kg Aluminium Eco Double
Female Rail
1280184821250
1280184821300



75 kg Aluminium Single Female
Rail
128018471250
128018471300



Flat Series Aluminium Double
Female Rail +Cover
1280184011250
1280184011300

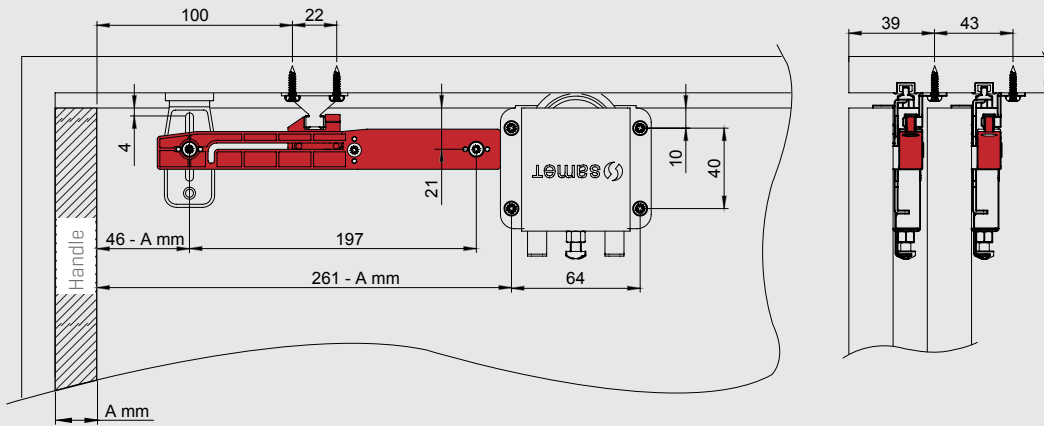
It can not be used with 22 mm door thickness.

75 kg Adjustable Tween Sliding Door Mechanism

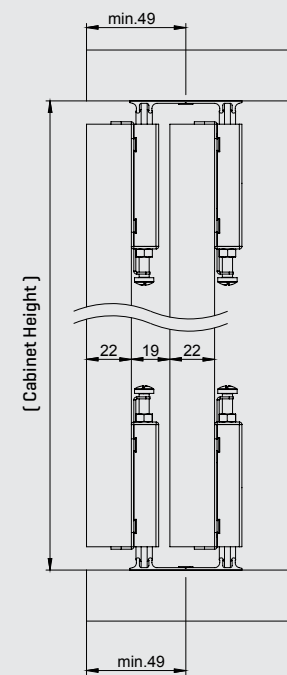
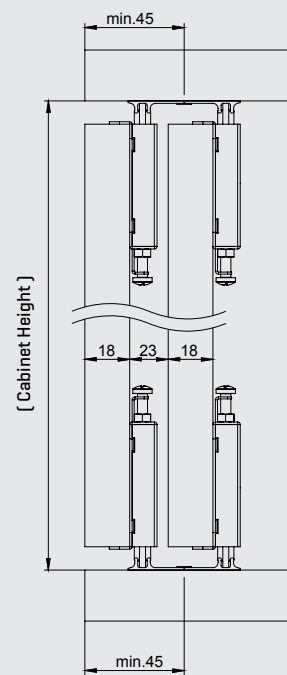
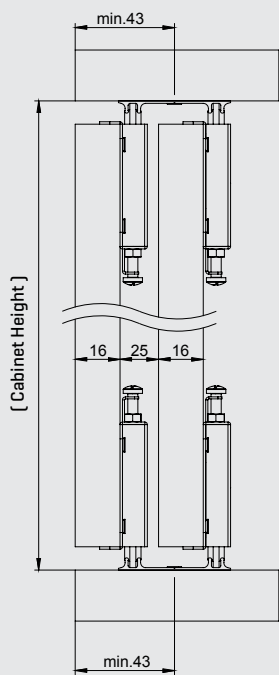
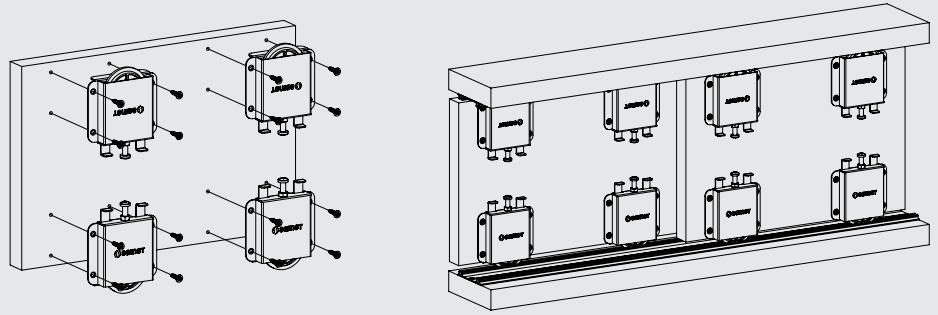
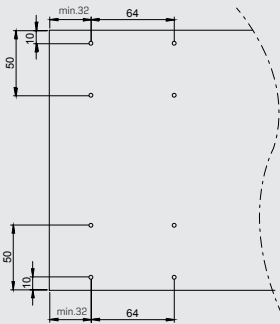
DESCRIPTION	CODE	FOR ONE DOOR	PACKAGE
SMT 75 T Adjustable Tween Sliding Door Mechanism Mekanizması	12800975T	1 Set	1 Door Set/Cartron-96 Door Set/Box
75 kg Soft-Close Mechanism	1280109	1 Set	1 Set/Cartron-48 Set/Box

Lower / Upper Rails

DESCRIPTION	CODE	LENGTH	PACKAGE
60, 75, 80 kg Aluminium Single Female Lower Rail	1280184411250	2,5 mt / Length	24 Pcs/Box
60, 75, 80 kg Aluminium Single Female Lower Rail	1280184411300	3 mt / Length	24 Pcs/Box
75 kg Aluminium Lux Female Double Rail	1280184421250	2,5 mt / Length	12 Pcs/Box
75 kg Aluminium Lux Female Double Rail	1280184421300	3 mt / Length	12 Pcs/Box
75 kg Aluminium Eco Female Double Rail	1280184821250	2,5 mt / Length	12 Pcs/Box
75 kg Aluminium Eco Female Double Rail	1280184821300	3 mt / Length	12 Pcs/Box
75 kg Aluminium Single Female Lower Rail	128018471250	2,5 mt / Length	48 Pcs/Box
75 kg Aluminium Single Female Lower Rail	128018471300	3 mt / Length	48 Pcs/Box
Flat Series Aluminium Double Female Rail+Cover	1280184011250	2,5 mt / Length	12 Pcs/Box
Flat Series Aluminium Double Female Rail+Cover	1280184011300	3 mt / Length	12 Pcs/Box



A mm	22 mm	1 mm	4 mm	1 mm	1,5 mm	1,5 mm
	Convex Y Handle	Handle with Groove	Concave Handle	Flat U Handle	Side Stick with Groove	Flat Side Stick
Handle Models						

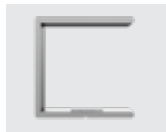


NOTE: DIMENSIONS, SHOWN IN BRACKETS ARE VALID FOR "18 mm" AND "22 mm" DOOR THICKNESSES.

wooden sliding door systems

Handle Profiles

samet



Wooden Sliding Door Handle Profiles / Flat U

NO	CODE	DESCRIPTION	THICKNESS	COLOR	UNIT	PACKAGE
1	1280185121250	Wooden Sliding Door Handle Profiles / Flat U	18 mm	MattAnodised	2,5 m	2,5 mt/Unit - 24 Pcs / Box



Wooden Sliding Door Handle Profiles Flat with Groove

NO	CODE	DESCRIPTION	THICKNESS	COLOR	UNIT	PACKAGE
1	1280185421250	Wooden Sliding Door Handle Profiles Flat with Groove	18 mm	MattAnodised	2,5 m	2,5 mt/Unit - 12 Pcs / Box



Wooden Sliding Door Handle Profiles / Flat U

NO	CODE	DESCRIPTION	THICKNESS	COLOR	UNIT	PACKAGE
1	1280185221250	Wooden Sliding Door Handle Profiles / Flat U	18 mm	MattAnodised	2,5 m	2,5 mt/Unit - 24 Pcs / Box



Wooden Sliding Door Y Handle Profiles

NO	CODE	DESCRIPTION	THICKNESS	COLOR	UNIT	PACKAGE
1	1280185321250	Wooden Sliding Door Y Handle Profiles	18 mm	MattAnodised	2,5 m	2,5 mt/Unit - 12 Pcs / Box



Wooden Sliding Door Aluminium Side Stick with Groove

NO	CODE	DESCRIPTION	THICKNESS	COLOR	UNIT	PACKAGE
1	1280185521250	Wooden Sliding Door Aluminium Side Stick with Groove	18 mm	MattAnodised	2,5 m	2,5 mt/Unit - 24 Pcs / Box



Wooden Sliding Door Aluminium Side Stick

NO	CODE	DESCRIPTION	THICKNESS	COLOR	UNIT	PACKAGE
1	1280185621250	Wooden Sliding Door Aluminium Side Stick	18 mm	MattAnodised	2,5 m	2,5 mt/Unit - 24 Pcs / Box

Lift Systems



Gas Spring Aluminium



Gas Spring White



Performa Lid Stay



Lid Stay with Lock



Hydraulic Lid Stay



Hydraulic Lid Stay

Code Table

DESCRIPTION	CODE	PACKAGE
Gas Spring 60 Newton Aluminium	1240290	25 Set / Carton - 100 Set / Box
Gas Spring 80 Newton Aluminium	1240287	25 Set / Carton - 100 Set / Box
Gas Spring 100 Newton Aluminium	1240288	25 Set / Carton - 100 Set / Box
Gas Spring 120 Newton Aluminium	1240289	25 Set / Carton - 100 Set / Box
Gas Spring 60 Newton White	1240291	25 Set / Carton - 100 Set / Box
Gas Spring 80 Newton White	1240292	25 Set / Carton - 100 Set / Box
Gas Spring 100 Newton White	1240293	25 Set / Carton - 100 Set / Box
Gas Spring 120 Newton White	1240294	25 Set / Carton - 100 Set / Box
Performa Lid Stay 28 mm Nickel	1240281	25 Set / Carton - 100 Set / Box
Performa Lid Stay 37 mm Nickel	1240282	25 Set / Carton - 100 Set / Box
Lid Stay with Lock 150 mm Nickel	1050311	25 Set / Carton - 100 Set / Box
Lid Stay with Lock 200 mm Nickel	1050312	25 Set / Carton - 100 Set / Box
Lid Stay with Lock 250 mm Nickel	1050313	25 Set / Carton - 100 Set / Box
Lid Stay with Lock 300 mm Nickel	1050314	25 Set / Carton - 100 Set / Box
Hydraulic Lid Stay Right Nickel	1050351	25 Set / Carton - 100 Set / Box
Hydraulic Lid Stay Left Nickel	1050352	25 Set / Carton - 100 Set / Box

Functionality in Storage Areas...

SAMET Wooden Sliding Door Systems developed to permit optimum use of furniture and maximum space for the end user, combines quality, performance and functionality.

Read the QR code to learn more about sliding door systems..



Install a QR code reader for your operating system. Then start the QR code reader and keep your smartphone or tablet approximately 20 cm above the QR code.



SMT 110⁺ PLUS

Upper Guided Sliding Door System

- Easy assembly and disassembly the doors with the easy assembly kit.
- Excellent Soft Close System
- Compact and light design
- Custom wheel material for silent function
- 80 kg carrying capacity
- High quality bearing wheels
- Suitable for different cover thicknesses with adjustable external and internal cover mechanism
- Suitable for cover thickness up from 18 mm up to 50 mm
- 20 mm inner top mechanism adjustment feature
- Locking item is used for stability
- Suitable hole sizes for mass production



Product is sold as a set.

- Soft-Close mechanism is included in set.
- Upper rail operates with double lower rail.

wooden sliding door systems



SMT 110 PLUS - Upper Guided Sliding Door System

Standard Set Includes



	Adjustable Lower Wheel Mechanism	External Top Mechanism	Internal Top Mechanism	Soft-Close Mechanism	Safety Stopper	Brake Connection Elements	Easy Assembly Kit
SET CODE	PIECE	PIECE	PIECE	PIECE	PIECE	PIECE	PIECE
128009126 2 Door	4	2	2	4	4	8	4
128009127 3 Door - 2 Inner +1 Outer Door	6	2	4	4	6	8	6
128009128 3 Door - 2 Outer+1 Inner Door	6	4	2	4	6	8	6
128009129 4 Door- 2 Outer+2 Inner Door	8	4	4	4	8	8	8

Mechanisms

DESCRIPTION	CODE	UNIT
SMT110 Plus Upper Guided Sliding Door System (2 Door)	128009126	1 Set
SMT110 Plus Upper Guided Sliding Door System (3 Door - 2 Inner +1 Outer Door)	128009127	1 Set
SMT110 Plus Upper Guided Sliding Door System (3 Door - 2 Outer+1 Inner Door)	128009128	1 Set
SMT110 Plus Upper Guided Sliding Door System (4 Door- 2 Outer+2 Inner Door)	128009129	1 Set

SMT 110 Plus Upper Guided Sliding Door System Aluminium Upper and Lower Rails



60/75/80 Kg
Aluminium Single Female Lower Rail
1280184411250 - 1280184411300



75 kg Aluminium Single Female Lower Rail
128018471250 - 128018471300

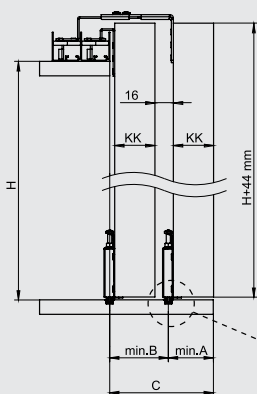


SMT 110/100 Plus Aluminium Upper Rail
1280185711250
1280185711300

Aluminium Upper and Lower Rails

DESCRIPTION	CODE	LENGTH
SMT 110/100 Plus Aluminium Upper Rail	1280185711250	2500 mm
SMT 110/100 Plus Aluminium Upper Rail	1280185711300	3000 mm
60/75/80 kg Aluminium Single Female Lower Rail	1280184411250	2500 mm
60/75/80 kg Aluminium Single Female Lower Rail	1280184411300	3000 mm
75 kg Aluminium Single Female Lower Rail	128018471250	2500 mm
75 kg Aluminium Single Female Lower Rail	128018471300	3000 mm

Space Requirement in Cabinet

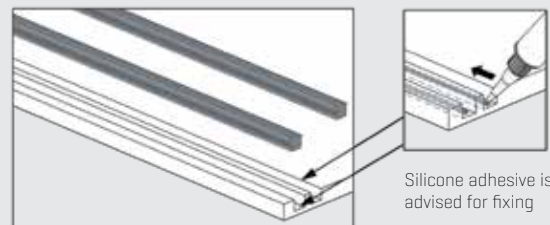


KK mm	A mm	B mm	C mm
18	24	34	58
22	28	38	66
26	32	42	74
30	36	46	82
40	46	56	102
50	56	66	122

A = KK + 6mm
B = KK + 16mm
C = 2 x KK + 22mm

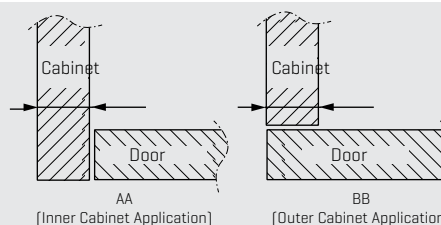


Bottom Rail Assembly and Fixing



Silicone adhesive is advised for fixing

Application Features

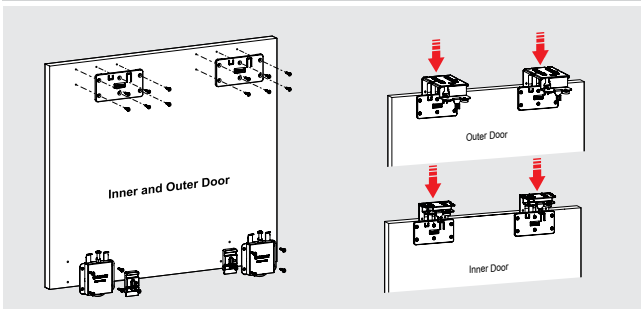


Connection Dimensions are given as "AA" application.

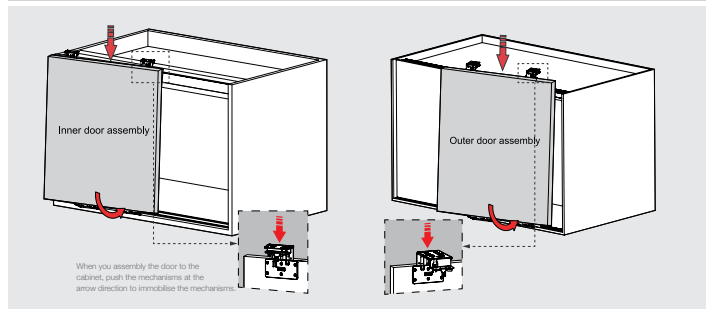
Please add "WT" thickness to dimensions for "BB" application

SMT 110 PLUS - Upper Guided Sliding Door System

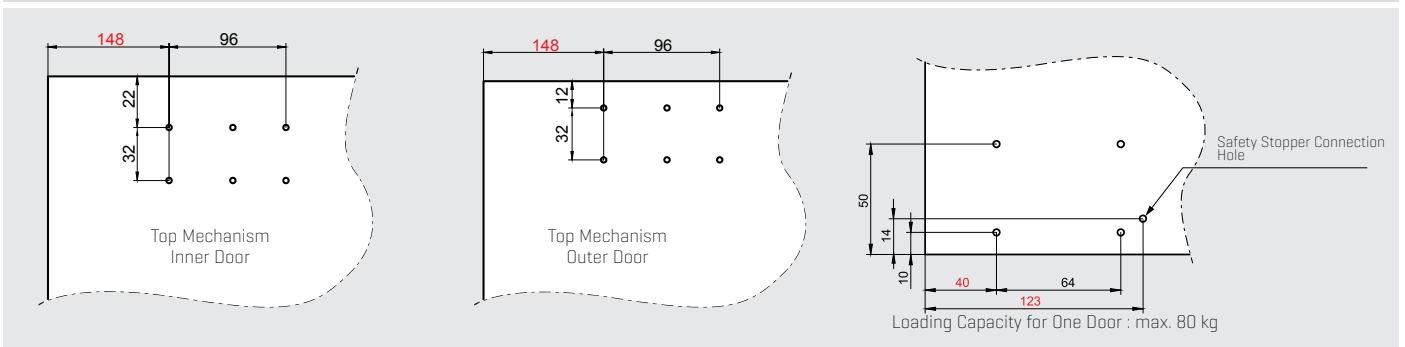
Mechanism Assembly



Door Installation and Adjustment



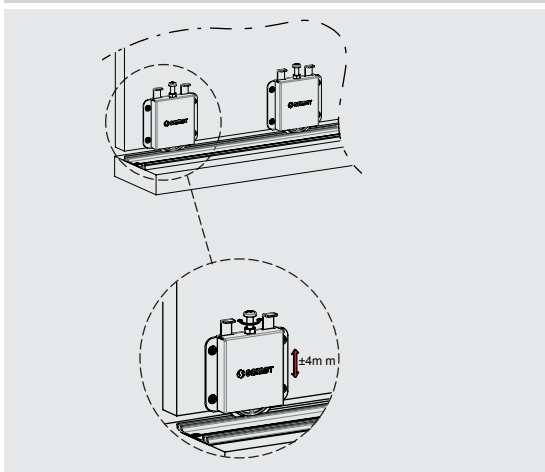
Space Requirement in Cabinet



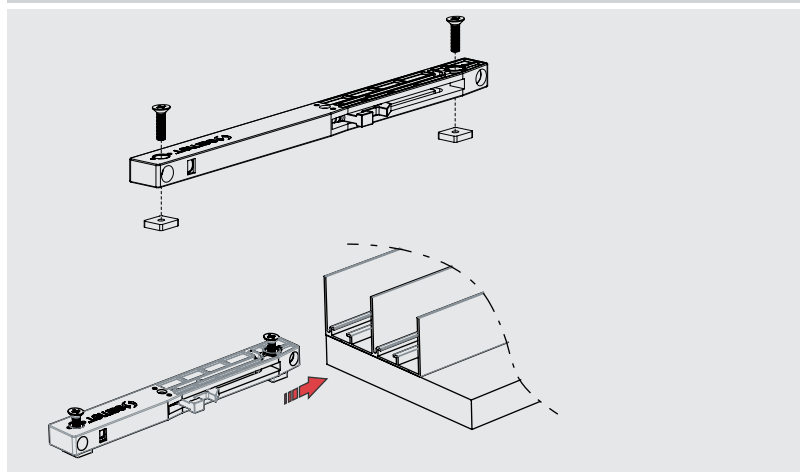
Space Requirement in Cabinet

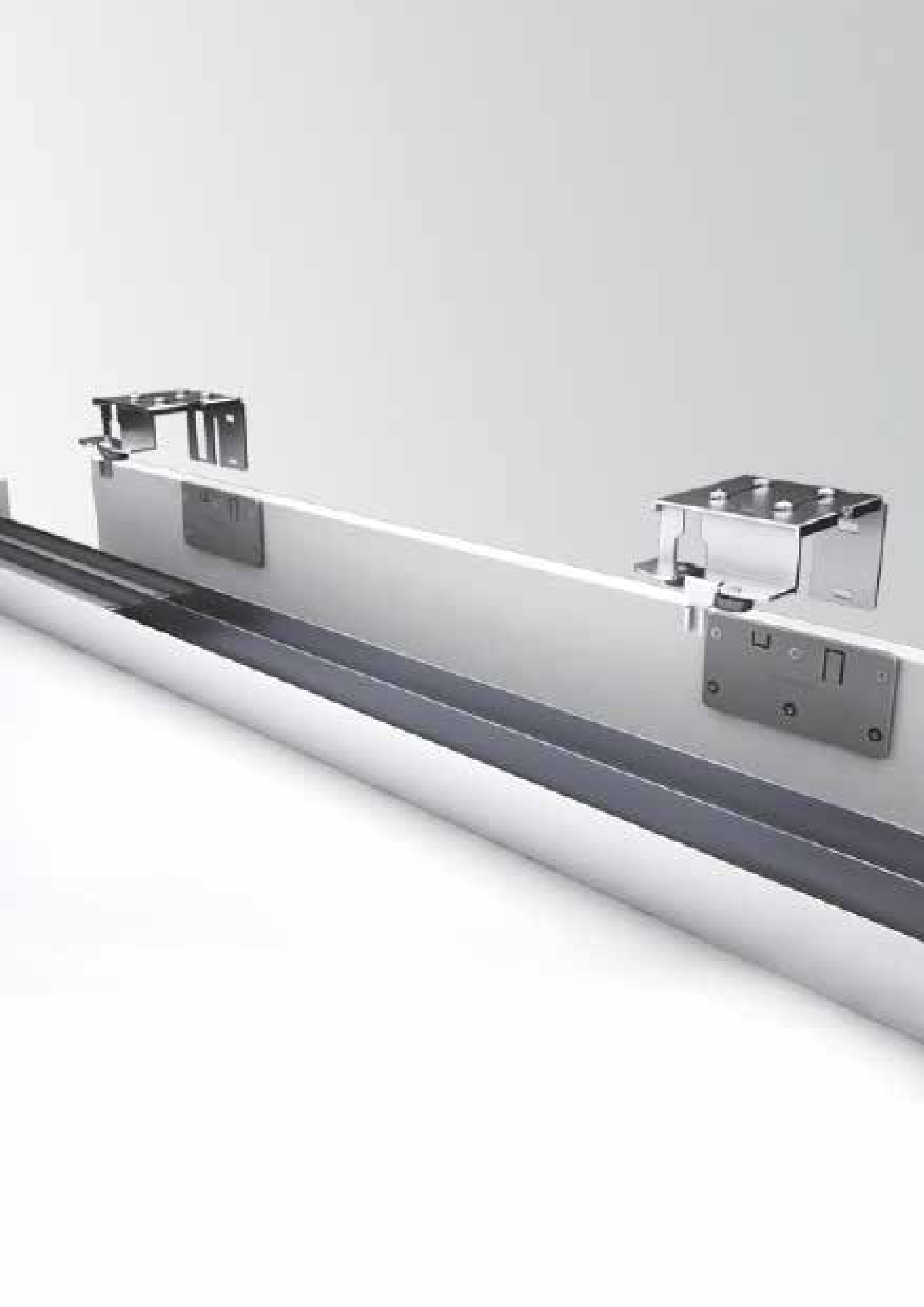


Adjustment Feature



Soft-Close Mechanism

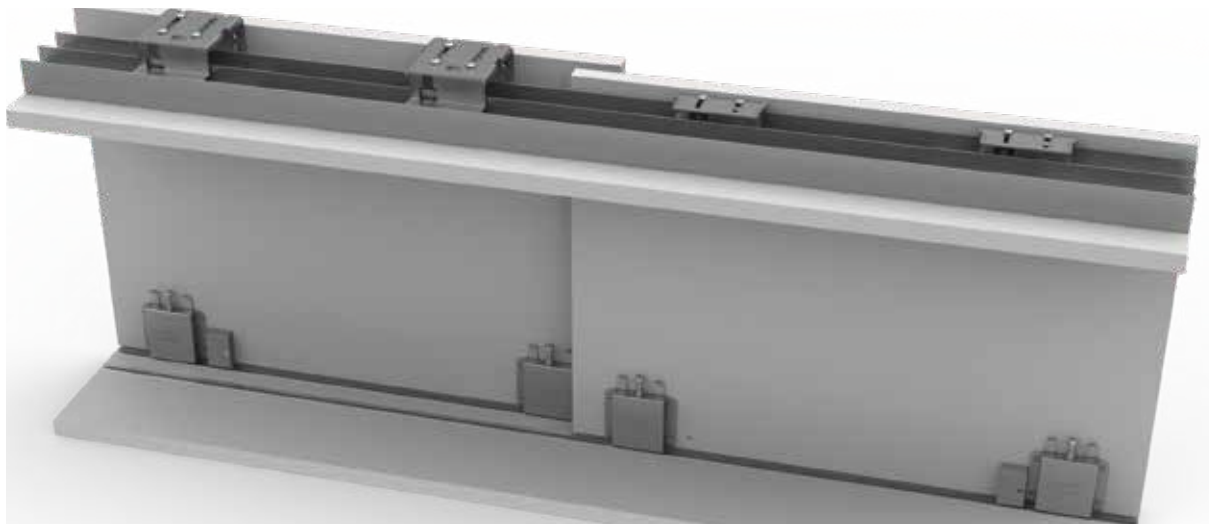




SMT 100⁺ PLUS

Upper Guided Sliding Door System

- Easy assembly and disassembly opportunity
- Excellent Soft Close System
- Compact and light design
- Custom wheel material for silent function
- 80 kg carrying capacity
- High quality bearing wheels
- Suitable for different cover thicknesses with adjustable external and internal cover mechanism
- Suitable for cover thickness up from 18 mm up to 50 mm
- 20 mm inner top mechanism adjustment feature
- Locking item is used for stability
- Suitable hole sizes for mass production



Product is sold as a set.

- Soft-Close mechanism is included in set.
- Upper rail operates with double lower rail.

wooden sliding door systems



SMT 100 PLUS - Upper Guided Sliding Door System

Standard Set Includes



SET CODE	Adjustable Lower Wheel Mechanism	External Top Mechanism	Internal Top Mechanism	Soft-Close Mechanism	Safety Stopper	Brake Connection Elements
128009116 2 Door	PIECE 4	PIECE 2	PIECE 2	PIECE 4	PIECE 4	PIECE 8
128009111 3 Door - 2 Inner + 1 Outer Door	PIECE 6	PIECE 2	PIECE 4	PIECE 4	PIECE 6	PIECE 8
128009121 3 Door - 2 Outer + 1 Inner Door	PIECE 6	PIECE 4	PIECE 2	PIECE 4	PIECE 6	PIECE 8
128009131 4 Door - 2 Outer + 2 Inner Door	PIECE 8	PIECE 4	PIECE 4	PIECE 4	PIECE 8	PIECE 8

Mechanisms

DESCRIPTION	CODE	UNIT
SMT100 Plus Upper Guided Sliding Door System (2 Door)	128009116	1 Set
SMT100 Plus Upper Guided Sliding Door System (3 Door - 2 Inner + 1 Outer Door)	128009111	1 Set
SMT100 Plus Upper Guided Sliding Door System (3 Door - 2 Outer + 1 Inner Door)	128009121	1 Set
SMT100 Plus Upper Guided Sliding Door System (4 Door - 2 Outer + 2 Inner Door)	128009131	1Set

SMT 100 Plus Upper Guided Sliding Door System Aluminium Upper and Lower Rails



60/75/80 Kg
Aluminium Single Female Lower Rail
1280184411250 - 1280184411300



75 kg Aluminium Single Female Lower Rail
128018471250 - 128018471300

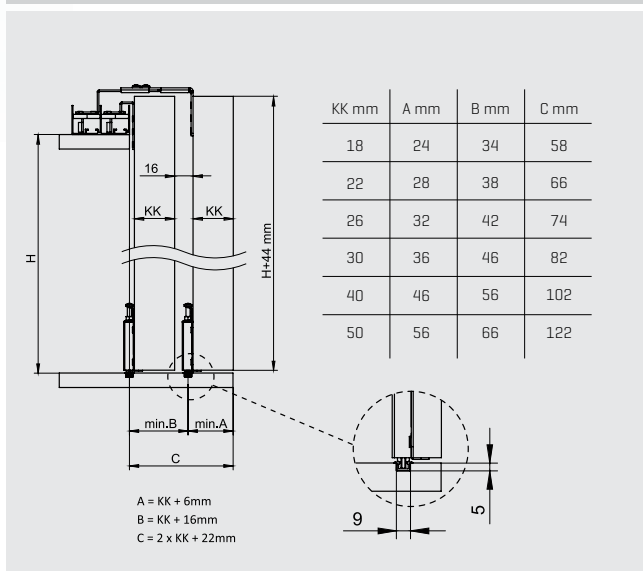


SMT 110/100 Plus Aluminium Upper Rail
1280185711250
1280185711300

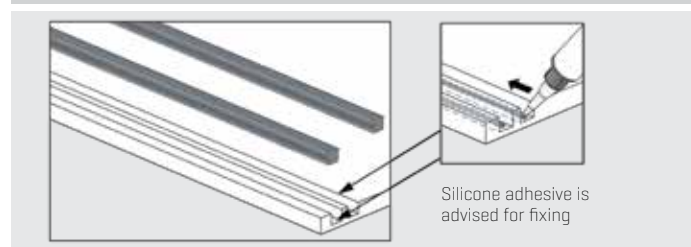
Aluminium Upper and Lower Rails

DESCRIPTION	CODE	LENGTH
SMT 110/100 Plus Aluminium Upper Rail	1280185711250	2500 mm
SMT 110/100 Plus Aluminium Upper Rail	1280185711300	3000 mm
60/75/80 kg Aluminium Single Female Lower Rail	1280184411250	2500 mm
60/75/80 kg Aluminium Single Female Lower Rail	1280184411300	3000 mm
75 kg Aluminium Single Female Lower Rail	128018471250	2500 mm
75 kg Aluminium Single Female Lower Rail	128018471300	3000 mm

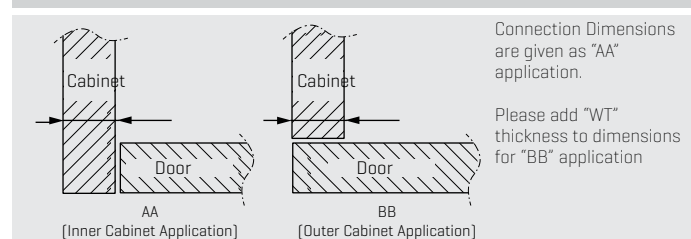
Space Requirement in Cabinet



Bottom Rail Assembly and Fixing

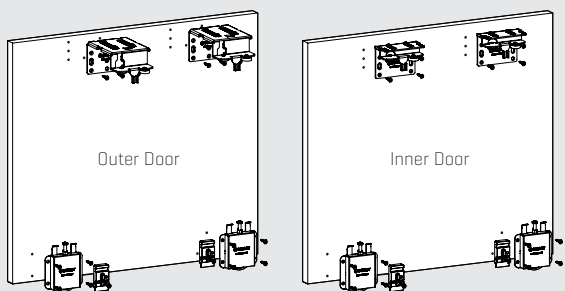


Application Features



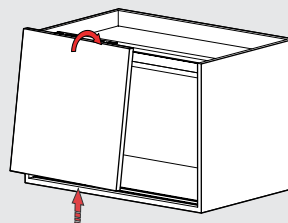
SMT 100 PLUS - Upper Guided Sliding Door System

Mechanism Assembly

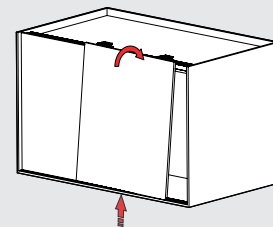


Door Installation and Adjustment

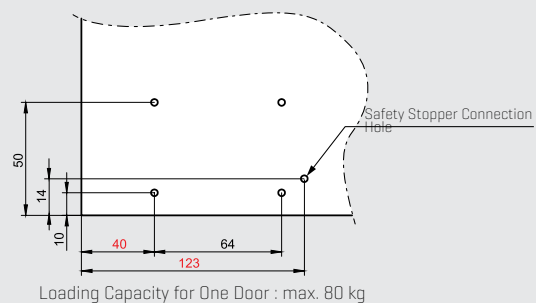
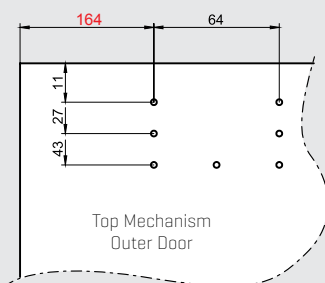
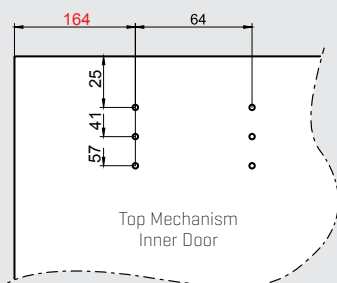
Inner Door Assembly



Outer Door Assembly



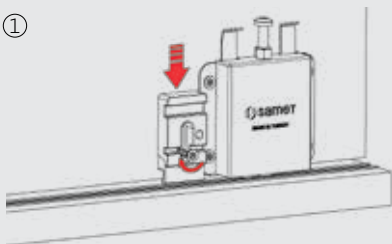
Space Requirement in Cabinet



Loading Capacity for One Door : max. 80 kg

Safety Stopper Assembly

①



②

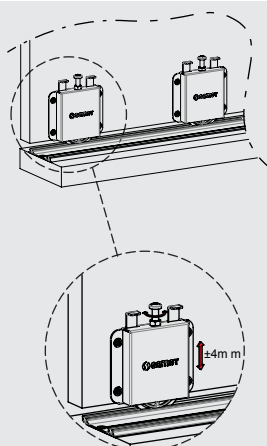


③

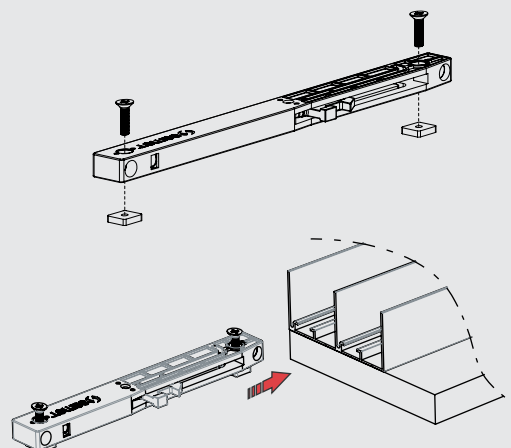


* Doors should be balanced before the assembly of stopper.

Adjustment Feature



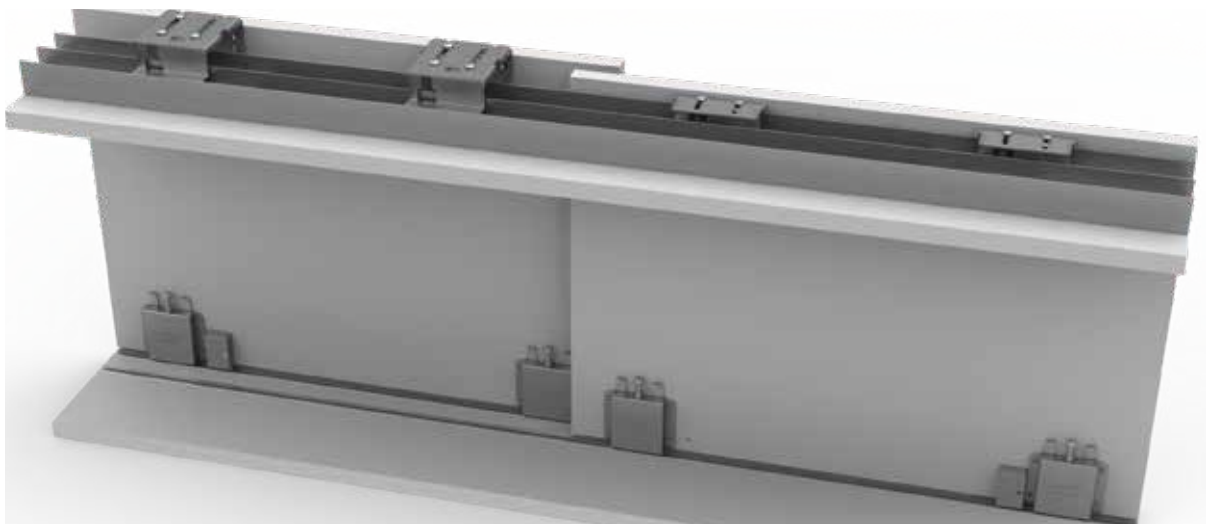
Soft-Close Mechanism



SMT 100

Upper Guided Sliding Door System

- Easy assembly and disassembly opportunity
- Small and elegant brake design
- Compact and light design
- Custom wheel material for silent function
- 80 kg carrying capacity
- High quality bearing wheels
- Suitable for different cover thicknesses with adjustable external and internal cover mechanism
- Suitable for cover thickness up from 18 mm up to 50 mm
- 20 mm inner top mechanism adjustment feature
- Locking item is used for stability
- Suitable hole sizes for mass production



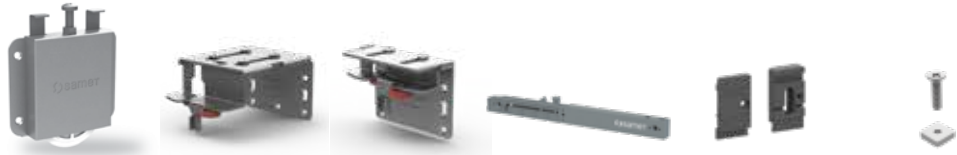
Product is sold as a set.

- Soft-Close mechanism is included in set.
- Upper rail operates with double lower rail.

wooden sliding door systems

SMT 100 - Upper Guided Sliding Door System

Standard Set Includes



SET CODE		Adjustable Lower Wheel Mechanism	External Top Mechanism	Internal Top Mechanism	Soft-Close Mechanism	Safety Stopper	Brake Connection Elements
		PIECE	PIECE	PIECE	PIECE	PIECE	PIECE
128009100	2 Door	4	2	2	4	4	8
128009102	3 Door - 2 Inner +1 Outer Door	6	2	4	4	6	8
128009103	3 Door - 2 Outer+1 Inner Door	6	4	2	4	6	8
128009104	4 Door - 2 Outer+2 Inner Door	8	4	4	4	8	8

Mechanisms

DESCRIPTION	CODE	UNIT
SMT100 Upper Guided Sliding Door System [2 Door]	128009100	1 Set
SMT100 Upper Guided Sliding Door System [3 Door - 2 Inner +1 Outer Door]	128009102	1 Set
SMT100 Upper Guided Sliding Door System [3 Door - 2 Outer+1 Inner Door]	128009103	1 Set
SMT100 Upper Guided Sliding Door System [4 Door - 2 Outer+2 Inner Door]	128009104	1 Set

SMT 100 Upper Guided Sliding Door System Aluminium Upper and Lower Rails



60/75/80 Kg
Aluminium Single Female Lower Rail
1280184411250 - 1280184411300



75 kg Alüminyum Single Female Lower Rail
128018471250 - 128018471300

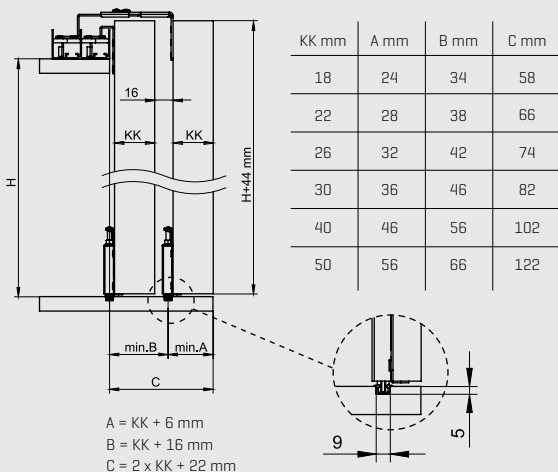


SMT 110/100 Plus Aluminium Upper Rail
1280185711250
1280185711300

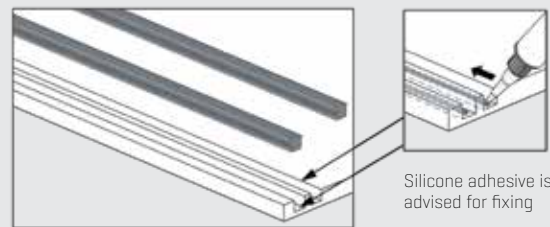
Aluminium Upper and Lower Rails

DESCRIPTION	CODE	LENGTH
SMT 110/100 Plus Aluminium Upper Rail	1280185711250	2500 mm
SMT 110/100 Plus Aluminium Upper Rail	1280185711300	3000 mm
60/75/80 kg Aluminium Single Female Lower Rail	1280184411250	2500 mm
60/75/80 kg Aluminium Single Female Lower Rail	1280184411300	3000 mm
75 kg Alüminyum Single Female Lower Rail	128018471250	2500 mm
75 kg Alüminyum Single Female Lower Rail	128018471300	3000 mm

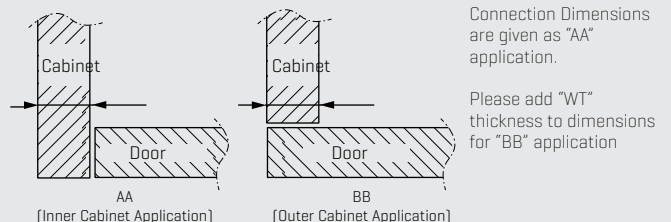
Space Requirement in Cabinet



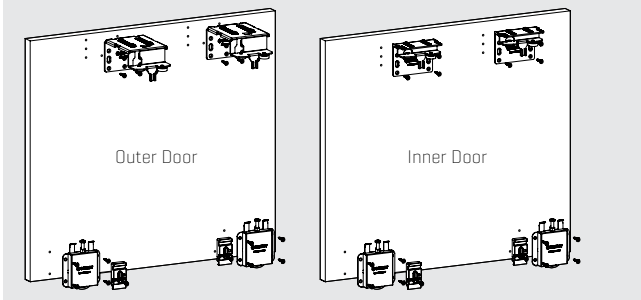
Bottom Rail Assembly and Fixing



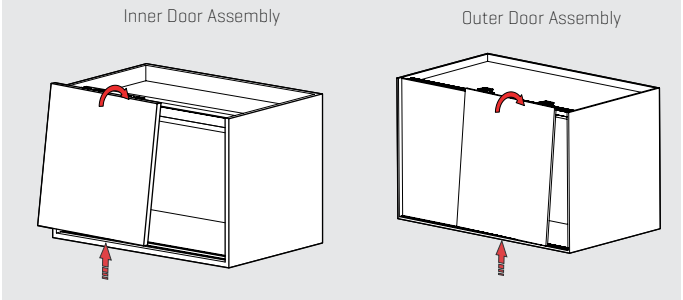
Application Features



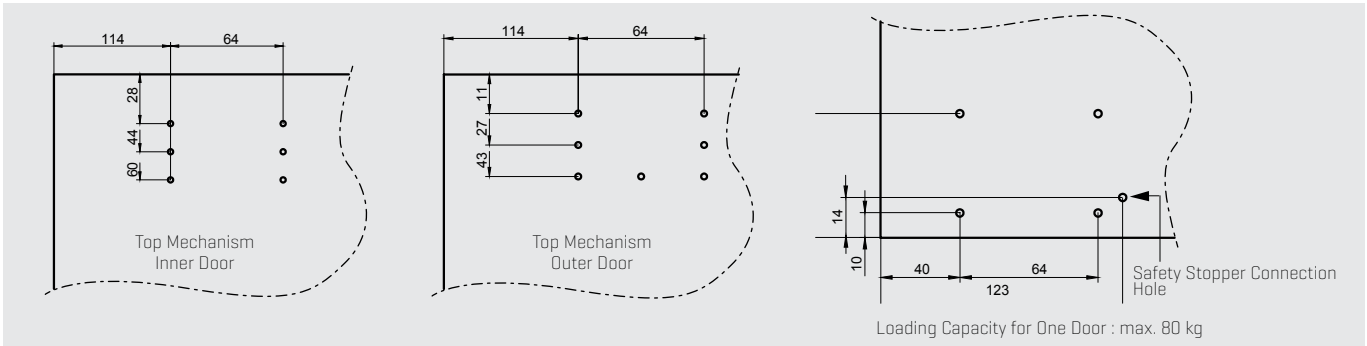
Mechanism Assembly



Door Installation and Adjustment



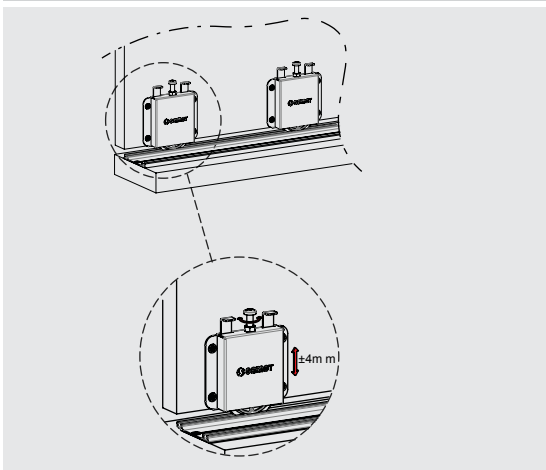
Space Requirement in Cabinet



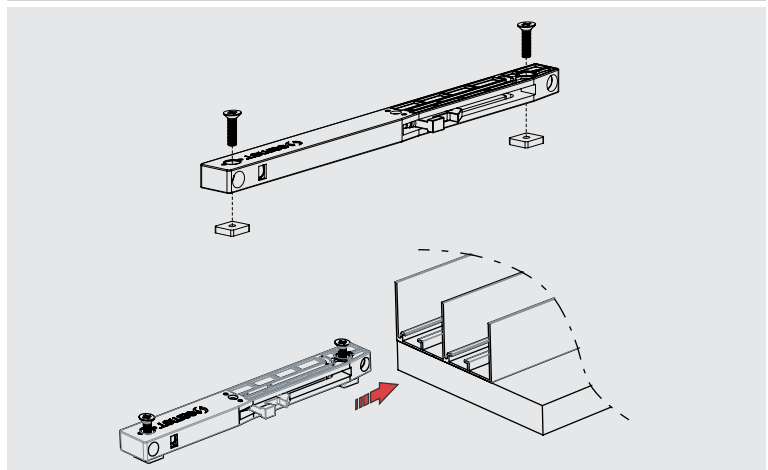
Safety Stopper Assembly



Adjustment Feature



Soft-Close Mechanism



SMT 75T

Adjustable Tween Sliding Door Mechanism

- 75 kg carrying capacity
- Smoothly and silently running
- 8 mm upwards/downwards adjustability

Packaging

- There are 24 sets in a package.
- There are 4 mechanisms in a set.
- Soft-close mechanism is not include in set.



wooden sliding door systems

SMT 75 T - Adjustable Tween Sliding Door Mechanism

samet



Standard Set Includes



Adjustable Wheel Mechanism x4

Optional



Soft-Close Mechanism
1280109

Aluminium Upper and Lower Rails



60/75/80 kg Aluminium Single
Female Lower Rail
1280184411250
1280184411300



75 kg Aluminium Lux Double
Female Rail+Cover
1280184421250
1280184421300



75 kg Aluminium Eco Double
Female Rail
1280184821250
1280184821300



75 kg Aluminium Single Female
Rail
128018471250
128018471300



Flat Series Aluminium Double
Female Rail +Cover
1280184011250
1280184011300

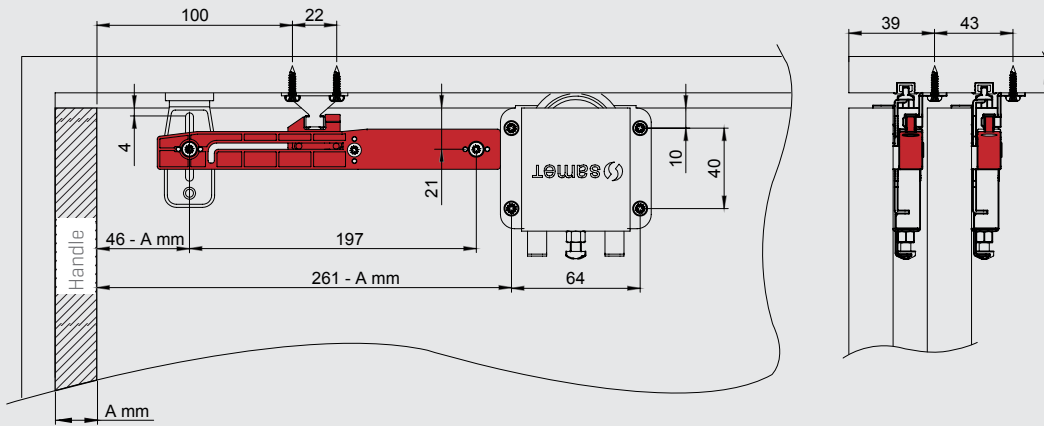
It can not be used with 22 mm door thickness.

75 kg Adjustable Tween Sliding Door Mechanism

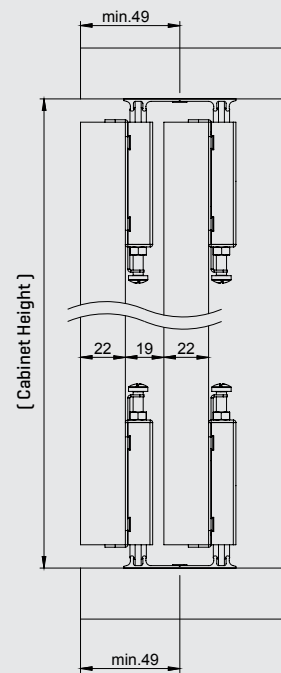
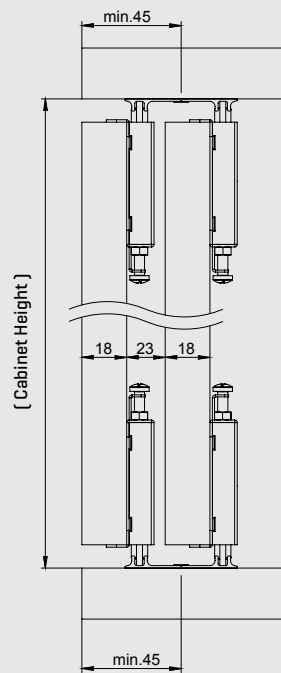
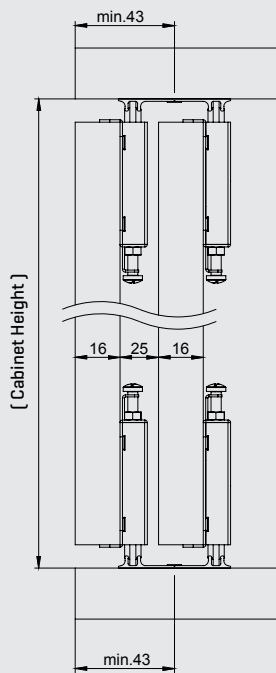
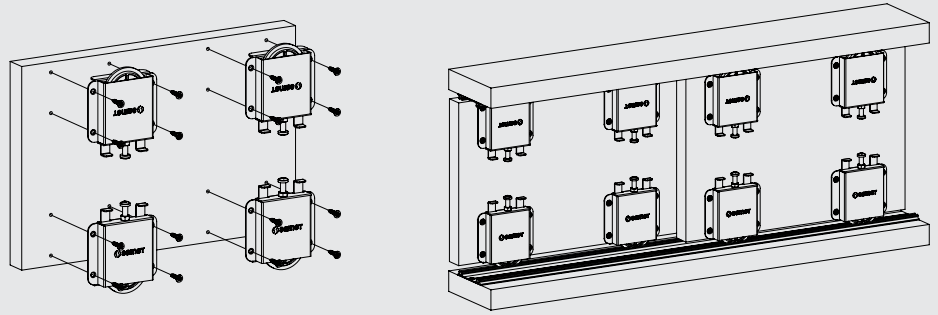
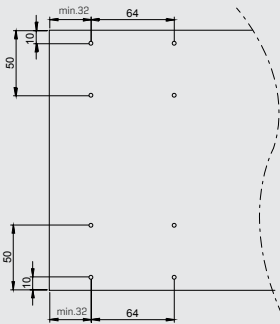
DESCRIPTION	CODE	FOR ONE DOOR	PACKAGE
SMT 75 T Adjustable Tween Sliding Door Mechanism Mekanizması	12800975T	1 Set	1 Door Set/Cartron-96 Door Set/Box
75 kg Soft-Close Mechanism	1280109	1 Set	1 Set/Cartron-48 Set/Box

Lower / Upper Rails

DESCRIPTION	CODE	LENGTH	PACKAGE
60, 75, 80 kg Aluminium Single Female Lower Rail	1280184411250	2,5 mt / Length	24 Pcs/Box
60, 75, 80 kg Aluminium Single Female Lower Rail	1280184411300	3 mt / Length	24 Pcs/Box
75 kg Aluminium Lux Female Double Rail	1280184421250	2,5 mt / Length	12 Pcs/Box
75 kg Aluminium Lux Female Double Rail	1280184421300	3 mt / Length	12 Pcs/Box
75 kg Aluminium Eco Female Double Rail	1280184821250	2,5 mt / Length	12 Pcs/Box
75 kg Aluminium Eco Female Double Rail	1280184821300	3 mt / Length	12 Pcs/Box
75 kg Aluminium Single Female Lower Rail	128018471250	2,5 mt / Length	48 Pcs/Box
75 kg Aluminium Single Female Lower Rail	128018471300	3 mt / Length	48 Pcs/Box
Flat Series Aluminium Double Female Rail+Cover	1280184011250	2,5 mt / Length	12 Pcs/Box
Flat Series Aluminium Double Female Rail+Cover	1280184011300	3 mt / Length	12 Pcs/Box



A mm	22 mm	1 mm	4 mm	1 mm	1,5 mm	1,5 mm
	Convex Y Handle	Handle with Groove	Concave Handle	Flat U Handle	Side Stick with Groove	Flat Side Stick
Handle Models						

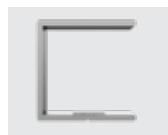


NOTE: DIMENSIONS, SHOWN IN BRACKETS ARE VALID FOR "18 mm" AND "22 mm" DOOR THICKNESSES.

wooden sliding door systems

Handle Profiles

samet



Wooden Sliding Door Handle Profiles / Flat U

NO	CODE	DESCRIPTION	THICKNESS	COLOR	UNIT	PACKAGE
1	1280185121250	Wooden Sliding Door Handle Profiles / Flat U	18 mm	MattAnodised	2,5 m	2,5 mt/Unit - 24 Pcs / Box



Wooden Sliding Door Handle Profiles Flat with Groove

NO	CODE	DESCRIPTION	THICKNESS	COLOR	UNIT	PACKAGE
1	1280185421250	Wooden Sliding Door Handle Profiles Flat with Groove	18 mm	MattAnodised	2,5 m	2,5 mt/Unit - 12 Pcs / Box



Wooden Sliding Door Handle Profiles / Flat U

NO	CODE	DESCRIPTION	THICKNESS	COLOR	UNIT	PACKAGE
1	1280185221250	Wooden Sliding Door Handle Profiles / Flat U	18 mm	MattAnodised	2,5 m	2,5 mt/Unit - 24 Pcs / Box



Wooden Sliding Door Y Handle Profiles

NO	CODE	DESCRIPTION	THICKNESS	COLOR	UNIT	PACKAGE
1	1280185321250	Wooden Sliding Door Y Handle Profiles	18 mm	MattAnodised	2,5 m	2,5 mt/Unit - 12 Pcs / Box



Wooden Sliding Door Aluminium Side Stick with Groove

NO	CODE	DESCRIPTION	THICKNESS	COLOR	UNIT	PACKAGE
1	1280185521250	Wooden Sliding Door Aluminium Side Stick with Groove	18 mm	MattAnodised	2,5 m	2,5 mt/Unit - 24 Pcs / Box



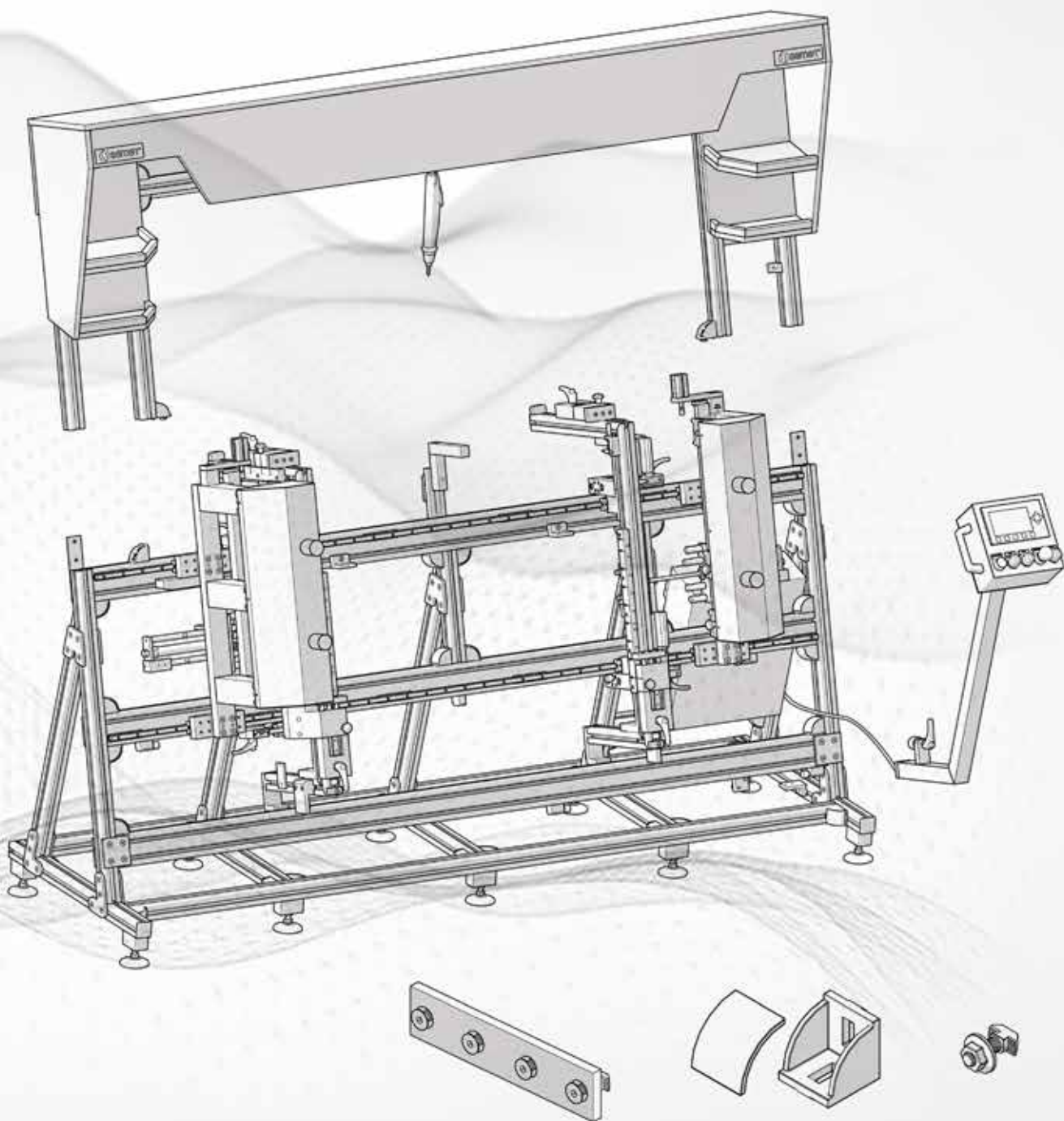
Wooden Sliding Door Aluminium Side Stick

NO	CODE	DESCRIPTION	THICKNESS	COLOR	UNIT	PACKAGE
1	1280185621250	Wooden Sliding Door Aluminium Side Stick	18 mm	MattAnodised	2,5 m	2,5 mt/Unit - 24 Pcs / Box



Drawer and Hinge Assembly Machines

SAMET Drawer and Hinge Assembly machines are developed for making the life of assembler easier by faster operations in workshops and manufacturing plants.



hinge machines

Sam D-50 Hinge Drilling & Inserting Machine Specifications



- Drilling of hinge and mounting plate holes.
- Hinge insertion.
- Shelf drilling.
- 4 spindles drillinghead for drilling mounting plate holes without.
- Matrixes for inserting of Samet hinges.
- Pneumatic panel clamping.
- Stopper options with millimetric ruler and ruler extension.
- Possibility to work 115-235 cm panel by 120-240 cm plate.
- Possibility to move the plate horizontally. [For hinge drilling alignment]
- For $\varnothing 35$ mm, hinges; drillinghead option with 45-48-52 mm cup hole distances.
- For $\varnothing 26$ mm [minihinges]; drillinghead option with 38 mm cup hole distances.
- $\varnothing 26$ mm. and $\varnothing 35$ mm. Drill Bit options for hinge cups.
- $\varnothing 2,5$ - $\varnothing 5$ - $\varnothing 8$ - $\varnothing 10$ mm Drill Bit options for dowel holes.
- Possibility to adjust hole depth.
- Dust collecting unit [Preparation for automatic dust collecting] (optional)

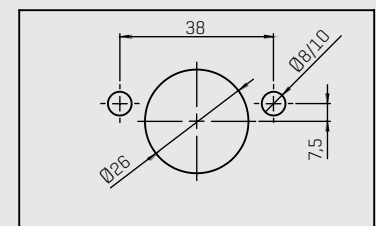
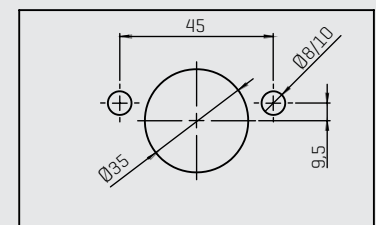
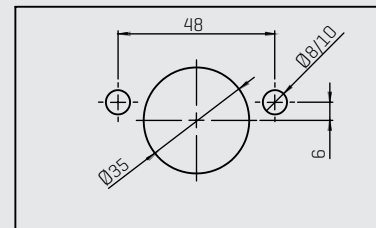
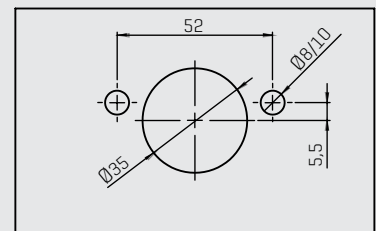
Sam D-50 Hinge Drilling & Inserting Machine Specifications

DESCRIPTION	CODE
Sam D-50 HINGE DRILLING & INSERTING MACHINE SPECIFICATIONS	136014
Sam -D50 4 Spindle Drillinghead $\varnothing 38$	13601411
Sam -D50 4 Spindle Drillinghead $\varnothing 45$	13601412
Sam -D50 4 Spindle Drillinghead $\varnothing 48$	13601413
Sam -D50 4 Spindle Drillinghead $\varnothing 52$	13601414
Drill Bit $\varnothing 5$ mm - Right	13601431
Drill Bit $\varnothing 5$ mm - Left	13601432
Drill Bit $\varnothing 8$ mm - Right	13601433
Drill Bit $\varnothing 8$ mm - Left	13601434
Drill Bit $\varnothing 10$ mm - Right	13601435
Drill Bit $\varnothing 10$ mm - Left	13601436
Drill Bit $\varnothing 26$ mm - Right	13601437
Drill Bit $\varnothing 35$ mm - Left	13601438
Drill Bit $\varnothing 2,5$ mm - Right	13601439
Drill Bit $\varnothing 2,5$ mm - Left	13601440
Drill Bit Adapter for $\varnothing 2,5$ mm	3601441
Sam D-50 Supplement Ruler- Right	13601451
Sam D-50 Supplement Ruler - Left	13601452
Sam D-50 Stoper - Right	13601453
Sam D-50 Stoper - Left	13601454
Sam D-50 Star-Mega Matrix	13601461
Sam D-50 Mini Matrix	13601462
Sam D-50 Working Table	13601471
Mounting Plate Matrix	13601465

Technical Data

Engine Power	Kw	1,1
Max. Drilling Depth	mm	50
Working Table Dimensions	mm	500x500
Ruler Dimensions	mm	1000
Working Pressure	bar	5-7
Vertical Adjustment Space	mm	10
Net Weight	kg	66
Max. Panel Thickness	mm	30
Working Time	sn	10
Three-Phase Power Supply	V/Hz	380/50
Packing Dimensions	cm	57x57x100

Options



hinge machines

Sam D-51 Fix Drilling and Hinge Drilling & Inserting Machine



- Includes all the specification of Sam-D 50.
- In addition to this, it drills the body and eccentric [cam] holes.
- Ø8 Samfix body hole drill bit.
- Ø15 eccentric hole drill bit.
- The opportunity of Samfix and eccentric axis regulation.

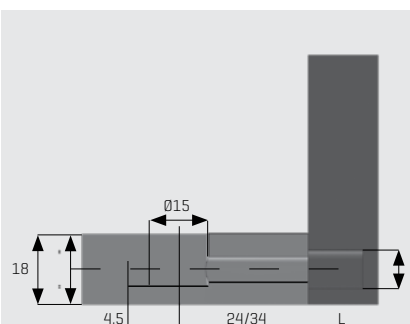
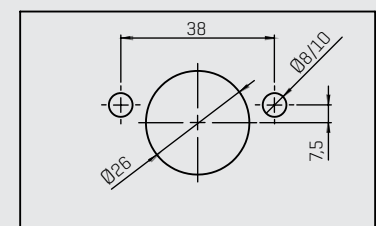
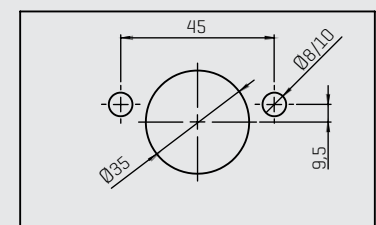
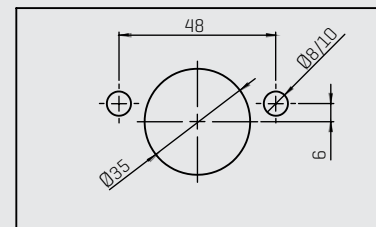
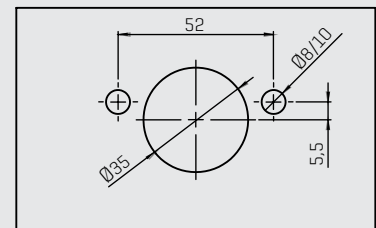
Sam D-51 Fix Drilling and Hinge Drilling & Inserting Machine

DESCRIPTION	CODE
Sam D-51 Fix Drilling and Hinge Drilling & Inserting Machine	136017
Sam D-50 HINGE DRILLING & INSERTING MACHINE SPECIFICATIONS	136014
Sam -D50 4 Spindle Drillinghead Ø38	13601411
Sam -D50 4 Spindle Drillinghead Ø45	13601412
Sam -D50 4 Spindle Drillinghead Ø48	13601413
Sam -D50 4 Spindle Drillinghead Ø52	13601414
Drill Bit Ø5 mm - Right	13601431
Drill Bit Ø5 mm - Left	13601432
Drill Bit Ø8 mm - Right	13601433
Drill Bit Ø8 mm - Left	13601434
Drill Bit Ø10 mm - Right	13601435
Drill Bit Ø10 mm - Left	13601436
Drill Bit Ø26 mm - Right	13601437
Drill Bit Ø35 mm - Left	13601438
Drill Bit Ø2,5 mm - Right	13601439
Drill Bit Ø2,5 mm - Left	13601440
Drill Bit Adapter for Ø2,5 mm	3601441
Sam D-50 Supplement Ruler- Right	13601451
Sam D-50 Supplement Ruler - Left	13601452
Sam D-50 Stoper - Right	13601453
Sam D-50 Stoper - Left	13601454
Sam D-50 Star-Mega Matrix	13601461
Sam D-50 Mini Matrix	13601462
Sam D-50 Working Table	13601471
Mounting Plate Matrix	13601465

Technical Data

Engine Power	Kw	1,1
Max. Drilling Depth	mm	50
Working Table Dimensions	mm	500x500
Ruler Dimensions	mm	1000
Working Pressure	bar	5-7
Vertical Adjustment Space	mm	10
Net Weight	kg	66
Max. Panel Thickness	mm	30
Working Time	sn	10
Three-Phase Power Supply	V/Hz	380/50
Packing Dimensions	cm	57x57x100

Options



	Ø mm	L mm
Ø8x10 Dowel	Ø8	11
Ø8x12 Dowel	Ø8	13
Ø10x10 Dowel	Ø10	11
Ø10x12 Dowel	Ø10	13
Euro Screw	Ø5	12
Zamac Dowel	Ø8	13

hinge machines

SAM D-52 Hinge Cup Hole Drilling & Marking Machine - Pynomatic



- It has 2 pieces Ø3 drills.
- It has one piece Ø35 drill
- The machine is arranged to assemble Samet hinges.
- The packing is [standart] cartoon.
- It has pynomatic control.

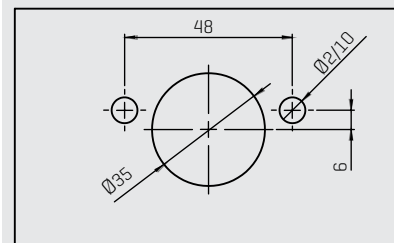
SAM D-52 Hinge Cup Hole Drilling & Marking Machine - Pynomatic

DESCRIPTION	CODE
SAM D-52 Hinge Cup Hole Drilling & Marking Machine - Pynomatic	1360191

Technical Data

Engine Power	Kw	0,75
Max. Drilling Depth	mm	50
Working Table Dimensions	mm	50
Working Pressure	bar	5-7
Net Weight	kg	27
Max. Panel Thickness	mm	30
Working Time	sn	10
Three-Phase Power Supply	V/Hz	220/50
Packing Dimensions	cm	55x55x52

Options



hinge machines

Sam D-53 Hinge Cup Hole Drilling & Marking Machine - Manuel

samet



- It has 2 pieces Ø3 drills.
- It has one piece Ø35 drill
- The machine is arranged to assemble Samet hinges.
- The packing is [standart] cartoon.
- It has manuel control.

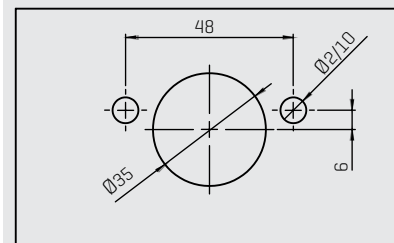
Sam D-53 Hinge Cup Hole Drilling & Marking Machine - Manuel

DESCRIPTION	CODE
Sam D-53 Hinge Cup Hole Drilling & Marking Machine - Manuel	1360192

Technical Data

Engine Power	Kw	0,75
Max. Drilling Depth	mm	50
Working Table Dimensions	mm	50
Net Weight	kg	22
Max. Panel Thickness	mm	50
Working Time	sn	18
Three-Phase Power Supply	V/Hz	220/50
Packing Dimensions	cm	55x55x52

Options



drawer machines

Flowbox/ Alphabox Manual Drawer Mounting Tool



- Min. Drawer Width : 300 mm
[According to cabinet outer dimension.]
- Max. Drawer Width : 1200 mm
[According to cabinet outer dimension.]
- Min. Drawer Depth : 270 mm
- Max. Drawer Depth : 600 mm
- Machine Dimension : 150x152x80 cm
[length x height x depth]

Smartflow/ Alphabox Manual Drawer Mounting Tool

DESCRIPTION	CODE	DRAWER PER HOUR
Smartflow/ Alphabox Manual Drawer Mounting Tool	136108	60

drawer machines

Flowbox / Alphabox Semi-Auto Drawer Assembly Machine

samet



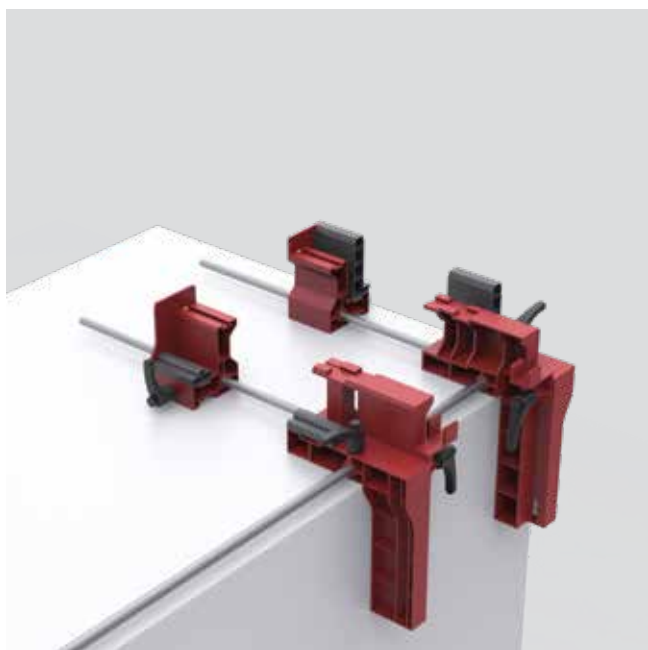
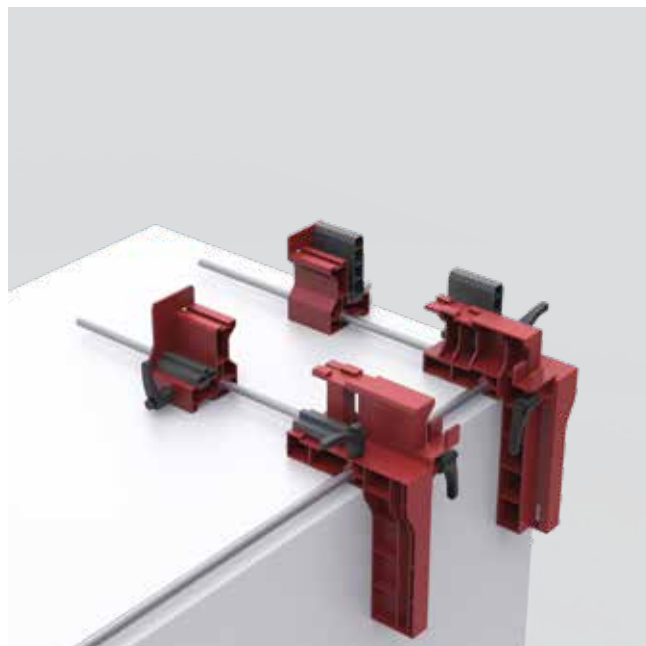
- Min. Drawer Width : 300 mm
[According to cabinet outer dimension.]
- Max. Drawer Width : 1200 mm
[According to cabinet outer dimension.]
- Min. Drawer Depth : 270 mm
- Max. Drawer Depth : 600 mm
- Machine Dimension : 232x152x110 cm
[length x height x depth]
- Max. Drawer Depth : 5-7 Bar
- Electricity Usage : 220 V - 0,5 KW
- Assembling Performance: 4 Drawer / Minute

Flowbox / Alphabox Semi-Auto Drawer Assembly Machine

DESCRIPTION	CODE	DRAWER PER HOUR
Smartflow/ Alphabox Semi-Auto Drawer Assembly Machine	136106	60

drawer machines

Flowbox / Alphabox Tabletop Drawer Assembly Device



- Min. Drawer Width : 300 mm
[According to cabinet outer dimension.]
- Max. Drawer Width : 1200 mm
[According to cabinet outer dimension.]
- Min. Drawer Depth : 270 mm
- Max. Drawer Depth : 600 mm
- Machine Dimension : 140x34x65 cm
[length x height x depth]

Flowbox / Alphabox Tabletop Drawer Assembly Device

DESCRIPTION	CODE	DRAWER PER HOUR
iSmartflow/ Alphabox Tabletop Drawer Assembly Device	136107	40

drawer machines

Smartbox Manual Drawer Mounting Tool

samet

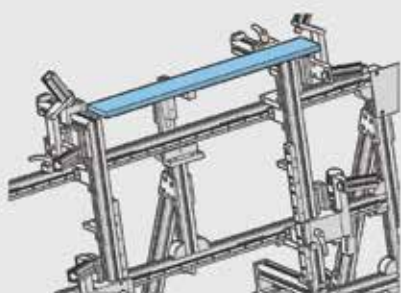


- Min. Drawer Width : 300 mm
[According to cabinet outer dimension.]
- Max. Drawer Width : 1200 mm
[According to cabinet outer dimension.]
- Min. Drawer Depth : 270 mm
[According to Side Panel.]
- Max. Drawer Depth : 650 mm
[According to Side Panel.]
- Working Pressure : 6 Bar
- Machine Dimension : 160x145x75 cm
[length x height x depth]

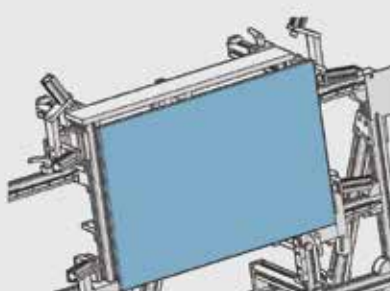
Smart Box Manual Drawer Mounting Tool

DESCRIPTION	CODE	DRAWER PER HOUR
Smartbox Manual Drawer Mounting Tool	136104	70

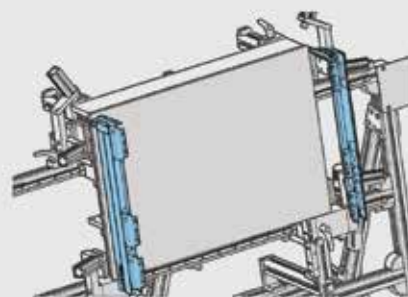
Drawer Assembling



Put the drawer backside wooden panel.



Put the drawer bottom panel.



Put left and right side panels.

drawer machines

Smartbox Manual Drawer Mounting Machine

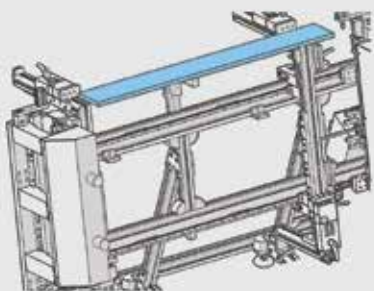


- Min. Drawer Width : 300 mm
[According to cabinet outer dimension.]
- Max. Drawer Width : 1200 mm
[According to cabinet outer dimension.]
- Min. Drawer Depth : 270 mm
[According to Side Panel.]
- Max. Drawer Depth : 650 mm
[According to Side Panel.]
- Working Pressure : 5-7 Bar
- Electricity Usage : 220 V - 0,5 KW
- Machine Dimension : 235x195x120 cm
[length x height x depth]
- Assembling Performance: 2 Drawer / Minute

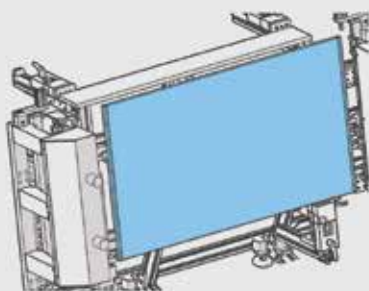
Smart Box Manual Drawer Mounting Machine

DESCRIPTION	CODE	DRAWER PER HOUR
Smartbox Manual Drawer Mounting Machine	136101	180

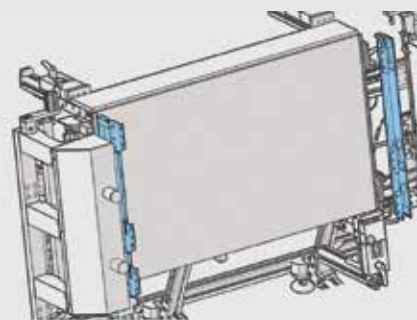
Drawer Assembling



Put the drawer backside wooden panel.



Put the drawer bottom panel.



Put left and right side panels.

drawer machines

Smartbox Adjustable Automatic Drawer Mounting Machine

samet

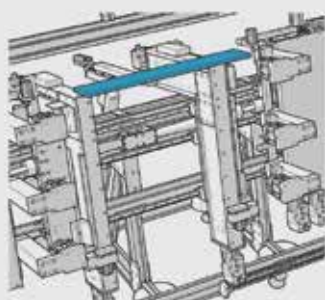


- Min. Drawer Width : 300 mm
[According to cabinet outer dimension.]
- Max. Drawer Width : 1200 mm
[According to cabinet outer dimension.]
- Min. Drawer Depth : 270 mm
[According to Side Panel.]
- Max. Drawer Depth : 650 mm
[According to Side Panel.]
- Working Pressure : 5-7 Bar
- Electricity Usage : 220 V - 2 KW
- Machine Dimension : 300x200x120 cm
[length x height x depth]
- Assembling Performance : 4 Drawer / Minute

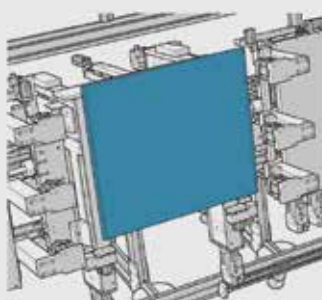
Smart Box Adjustable Automatic Drawer Mounting Machine

DESCRIPTION	CODE	DRAWER PER HOUR
Smartbox Adjustable Automatic Drawer Mounting Machine	136103	180

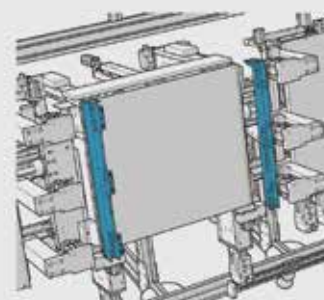
Drawer Assembling



Put the drawer backside wooden panel.



Put the drawer bottom panel.



Put left and right side panels.